



US00D977937S

(12) **United States Design Patent**
Roberts

(10) **Patent No.:** **US D977,937 S**

(45) **Date of Patent:** **** Feb. 14, 2023**

(54) **SANITARY HANDS-FREE DOOR PULL**

(71) Applicant: **SMP Tech, Inc.**, Elk Grove, CA (US)

(72) Inventor: **Thomas A. Roberts**, Elk Grove, CA (US)

(73) Assignee: **SMP Tech, Inc.**, Elk Grove, CA (US)

(**) Term: **15 Years**

(21) Appl. No.: **29/796,486**

(22) Filed: **Jun. 24, 2021**

(51) **LOC (14) Cl.** **08-06**

(52) **U.S. Cl.**
USPC **D8/307; D8/321**

(58) **Field of Classification Search**
USPC D8/300-302, 307, 308, 321, 331, 343, D8/367, 371, 394, 395, 396, 398
CPC Y10T 74/20612; Y10T 74/2014; Y10T 74/20696; Y10T 74/20396; Y10T 74/206; Y10T 74/20618; Y10T 74/19251; Y10T 74/2011; Y10T 29/49826; Y10T 74/20213; Y10T 74/20822; Y10T 16/459; Y10S 292/27; Y10S 292/53; E05Y 2201/244; E05Y 2400/86; E05F 11/54; E05F 15/616; E05B 1/0053; E05B 1/0015; E05B 1/0069

See application file for complete search history.

(56) **References Cited**

U.S. PATENT DOCUMENTS

4,039,131 A * 8/1977 Perrault H02G 3/30 248/222.51
D313,544 S * 1/1991 Scherer D8/355
D358,318 S * 5/1995 Schreib D8/367
6,189,183 B1 * 2/2001 Hartselle, III E05B 1/0069 16/412

D629,673 S * 12/2010 Shaha D8/367
D704,038 S * 5/2014 Roethler D8/367
D897,193 S * 9/2020 Sokoly D8/367
D929,844 S * 9/2021 Marks D8/300
D945,245 S * 3/2022 Bennett D8/307
2022/0010585 A1 * 1/2022 Lin E05B 53/001

* cited by examiner

Primary Examiner — Lauren R Calve

(74) *Attorney, Agent, or Firm* — Heisler & Associates

(57) **CLAIM**

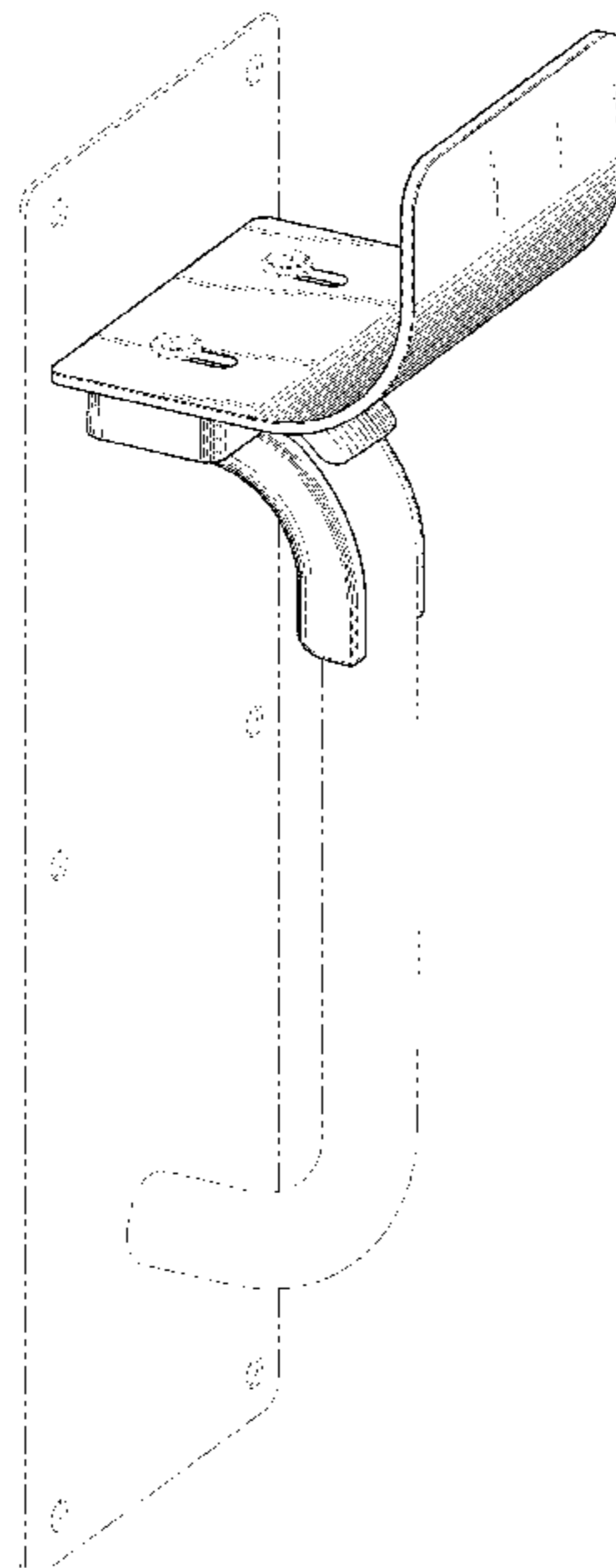
The ornamental design for a sanitary hands-free door pull, as shown and described.

DESCRIPTION

FIG. 1 is a perspective view of the sanitary hands-free door pull of this invention, shown attached to a pull handle of a door, the pull handle shown in broken lines; FIG. 2 is a perspective view of the door pull shown alone; FIG. 3 is a top plan view of that which is shown in FIG. 2; FIG. 4 is a bottom plan view of that which is shown in FIG. 2; FIG. 5 is a front elevation view of that which is shown in FIG. 2; FIG. 6 is a rear elevation view of that which is shown in FIG. 2; FIG. 7 is a left side view of that which is shown in FIG. 2; FIG. 8 is a right side view of that which is shown in FIG. 2; and, FIG. 9 is a perspective exploded parts view of that which is shown in FIG. 2.

Broken lines in the various figures show environmental detail which is not claimed, showing how the invention is used, as well as fastener elements which hold together parts of the invention, these fastener elements also not claimed.

1 Claim, 4 Drawing Sheets



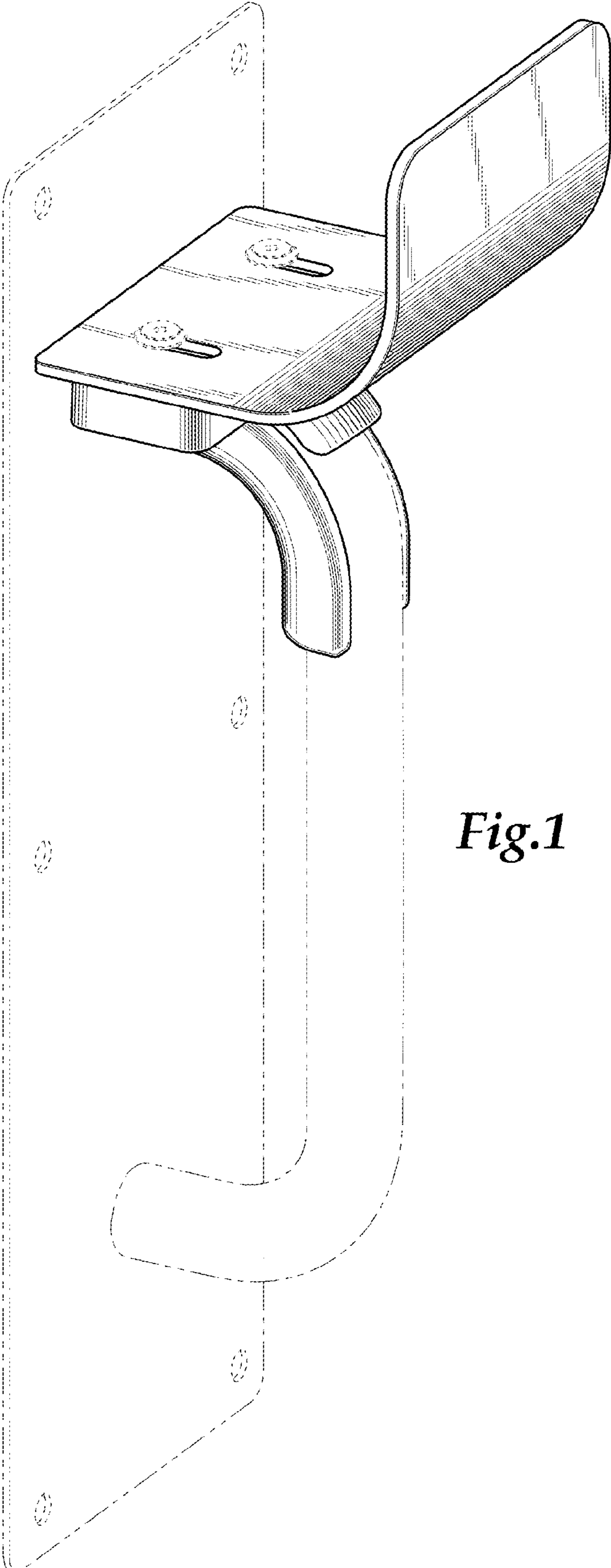


Fig.1

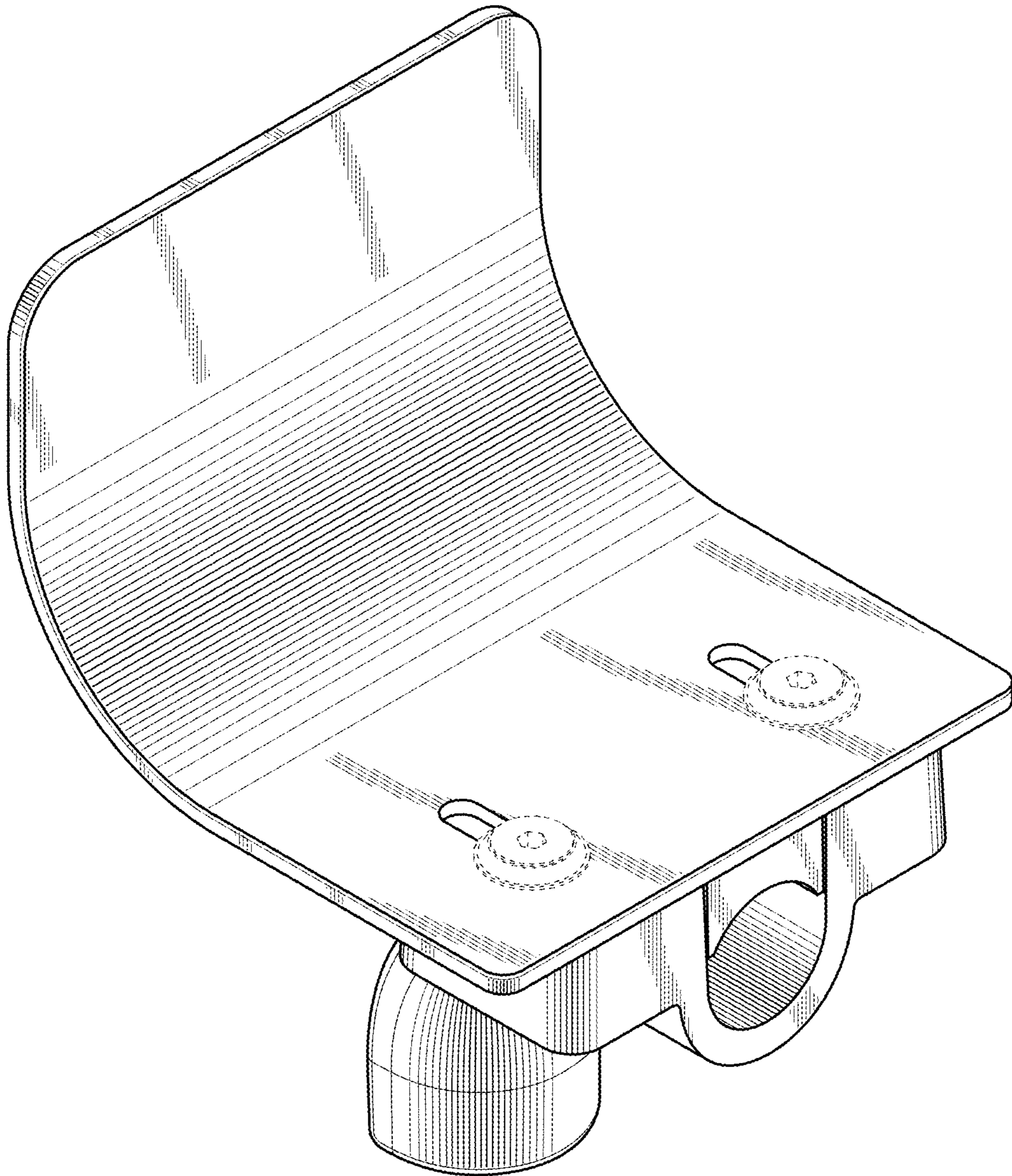


Fig.2

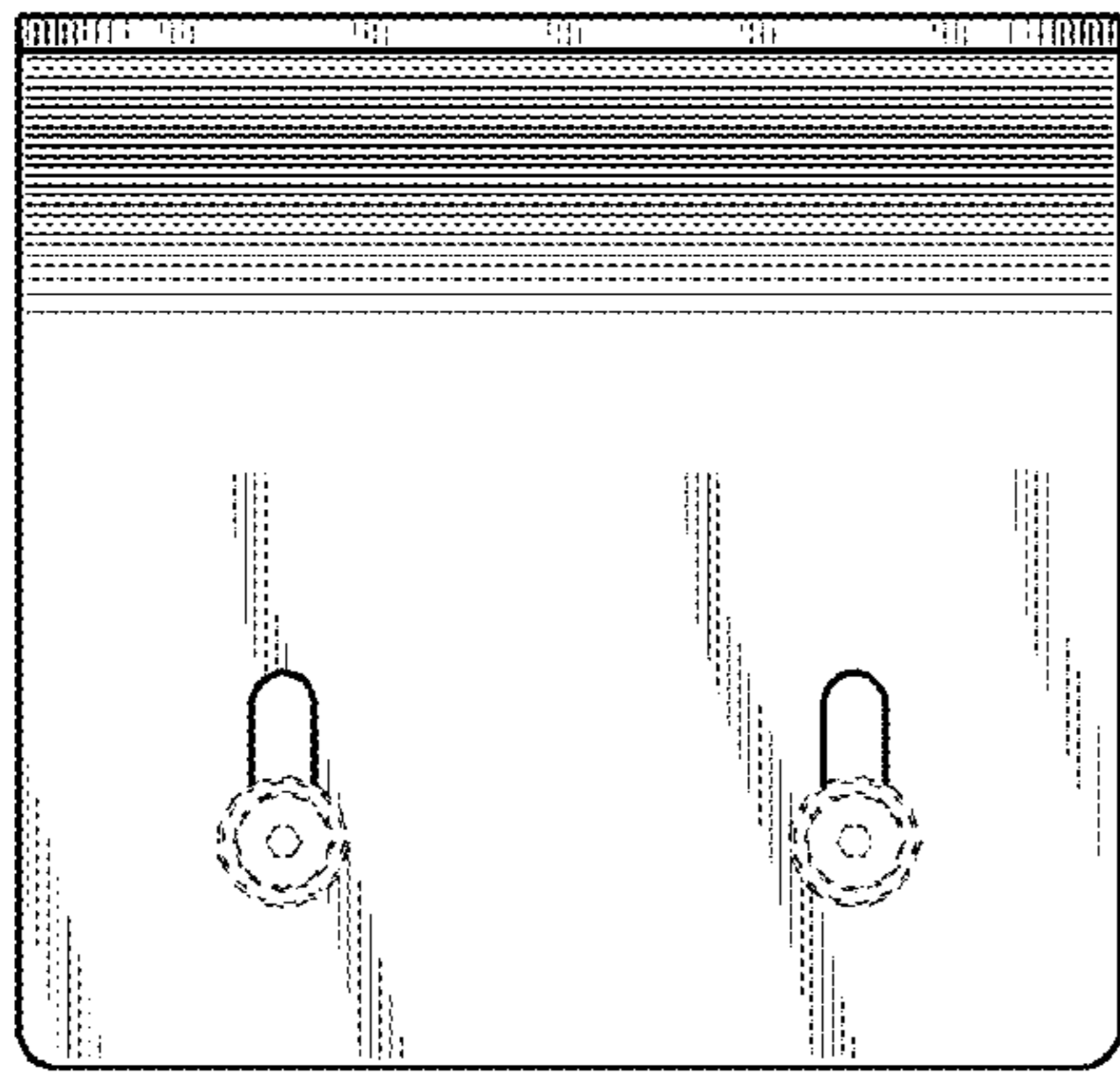


Fig.3

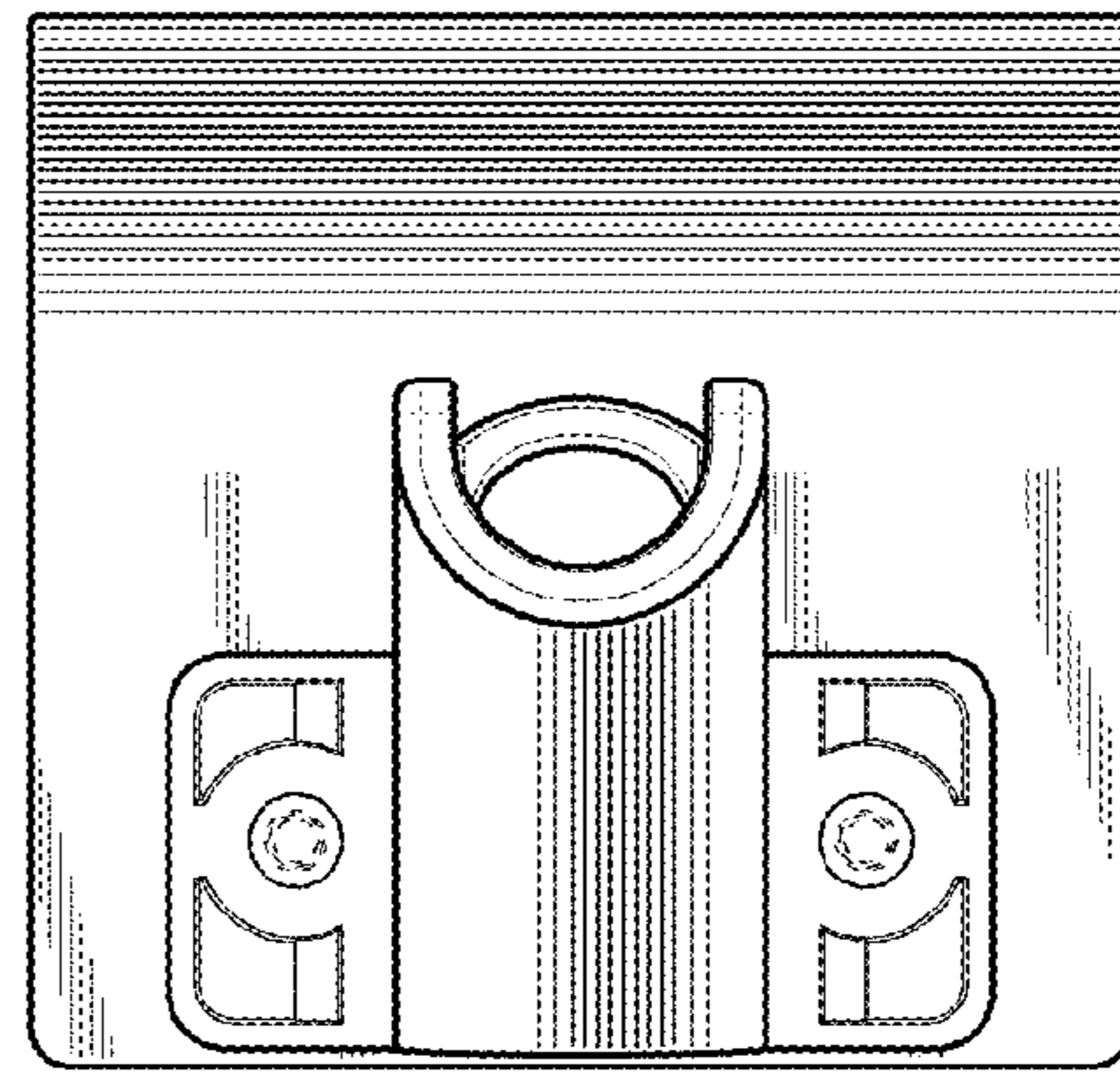


Fig.4

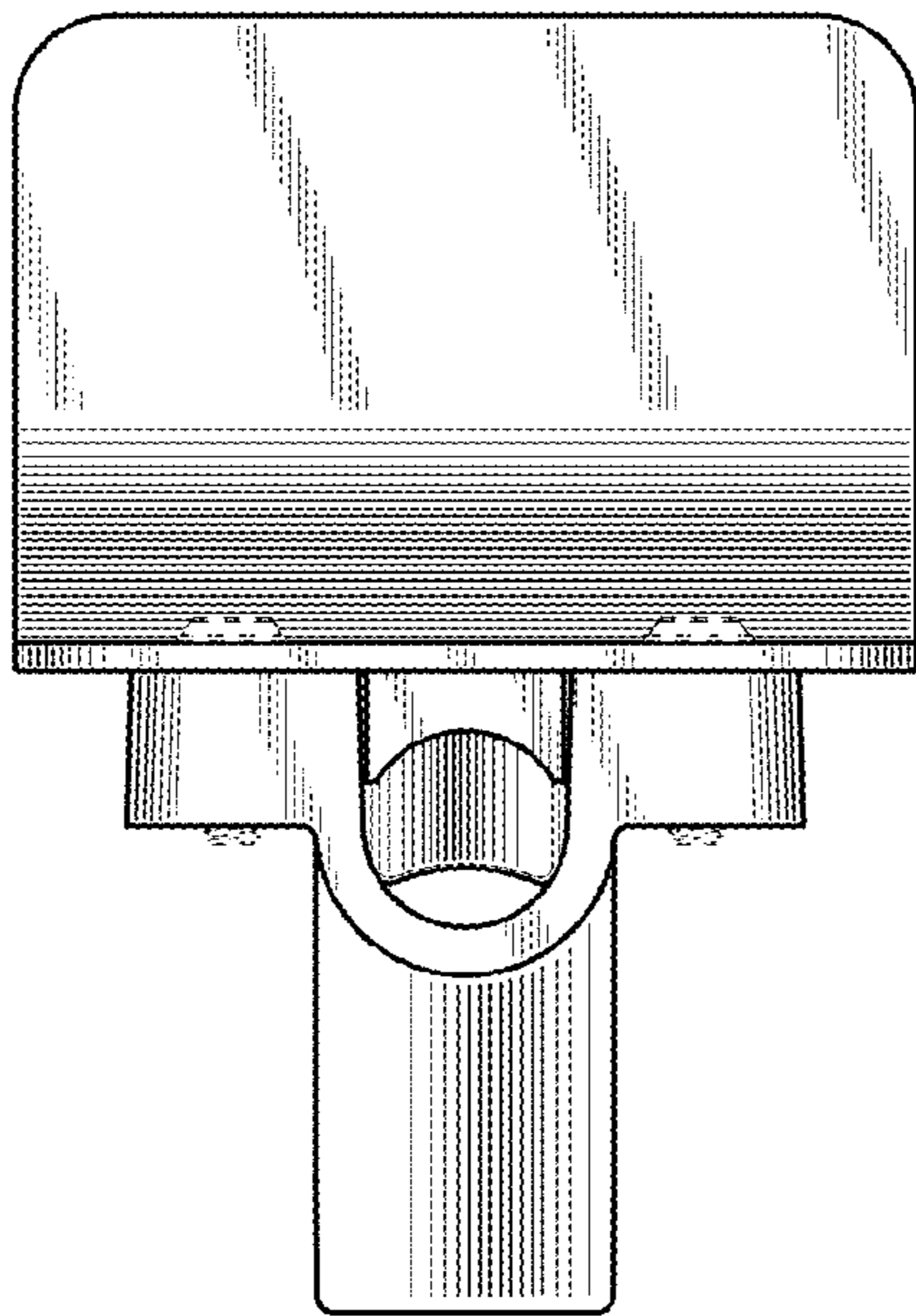


Fig.5

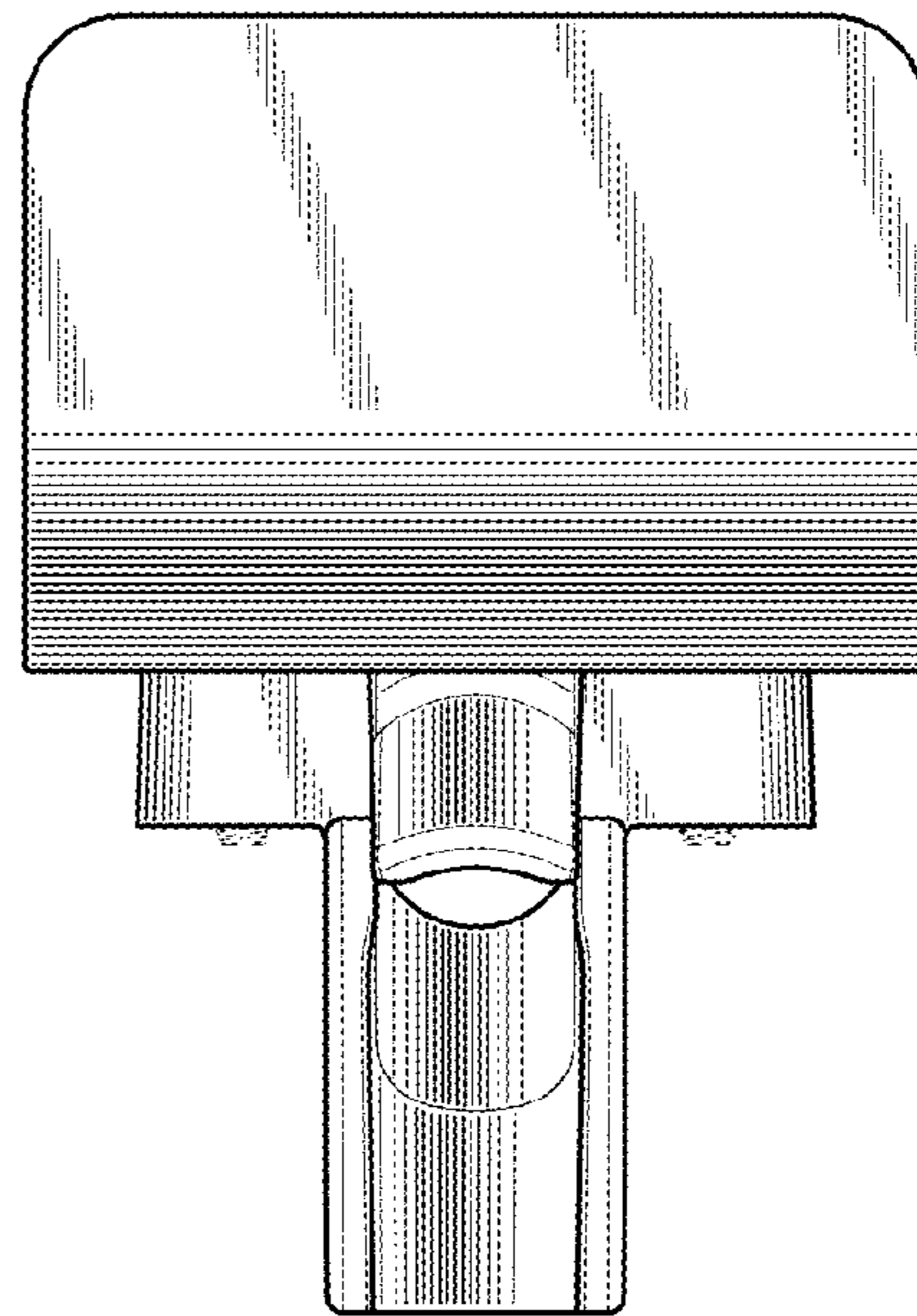


Fig.6

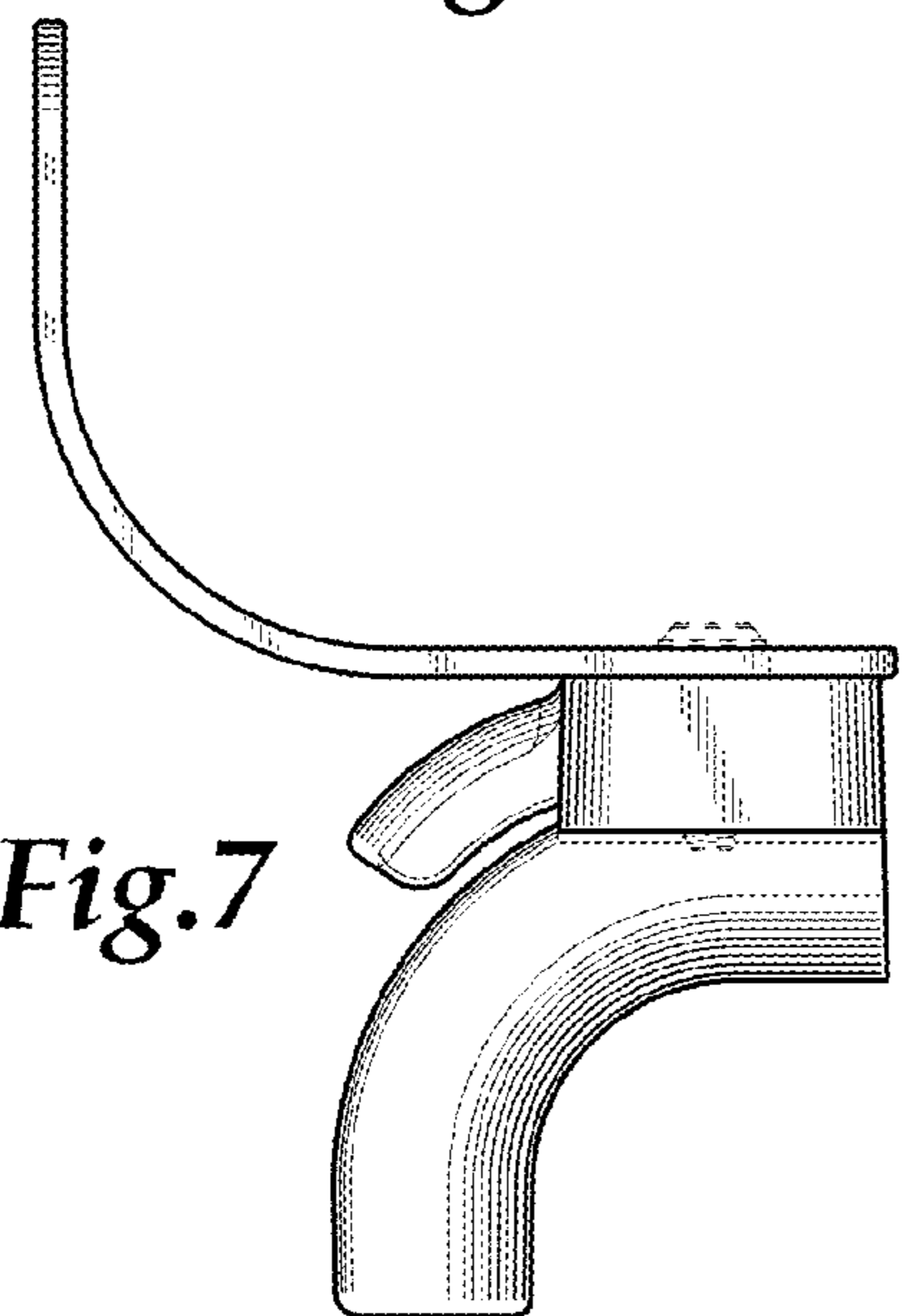


Fig.7

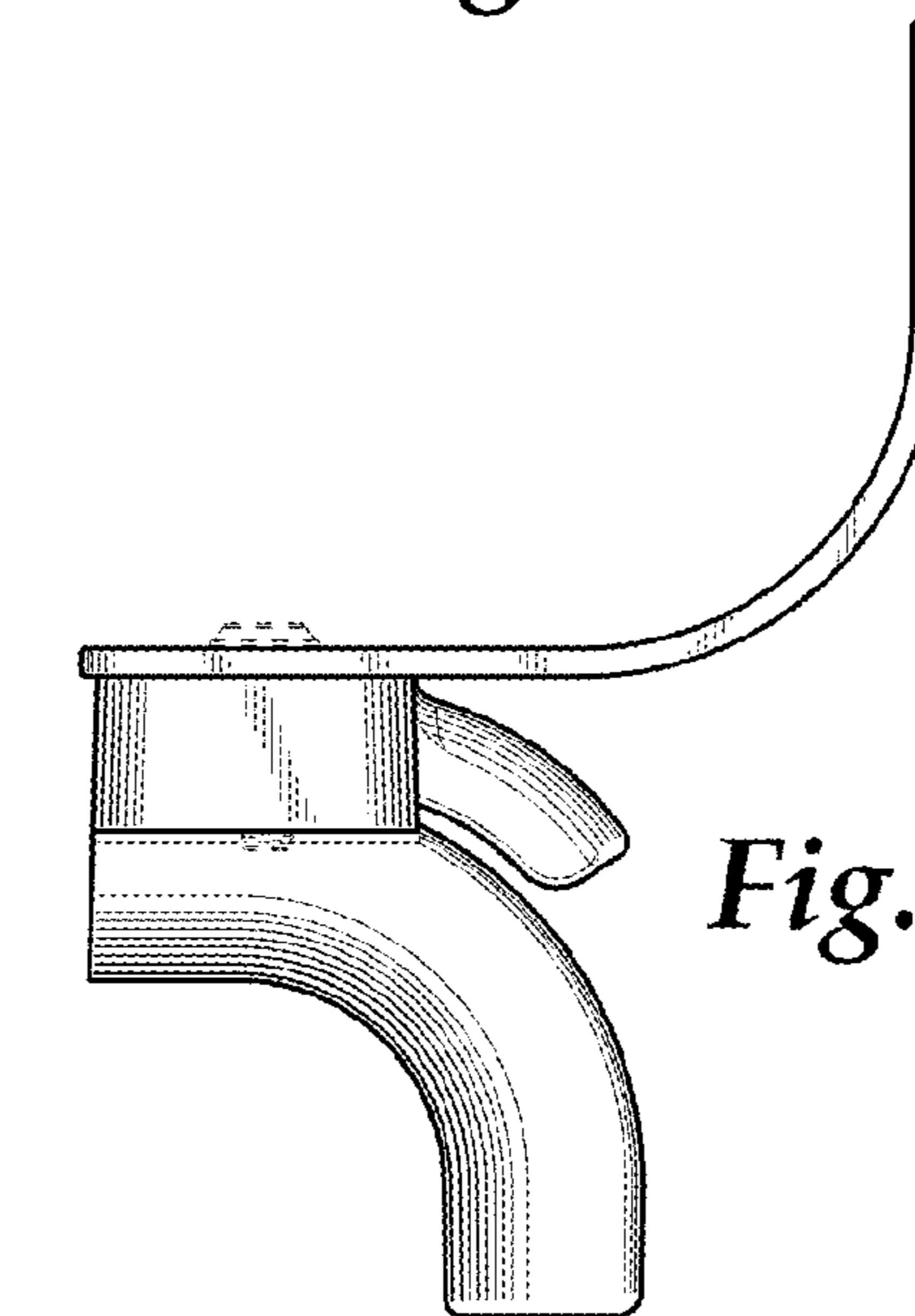


Fig.8

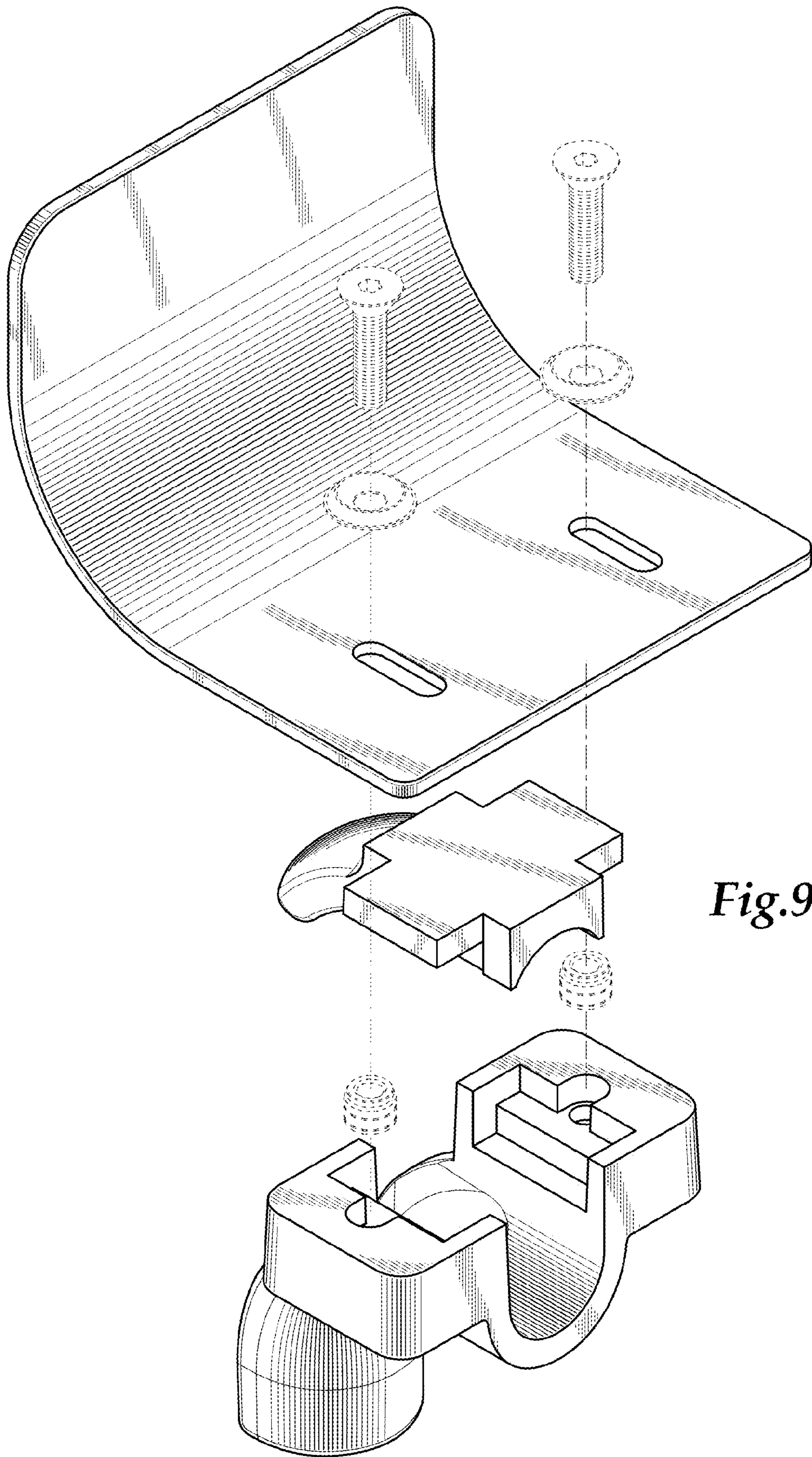


Fig.9