



US00D977936S

(12) **United States Design Patent**
Yen

(10) **Patent No.:** **US D977,936 S**

(45) **Date of Patent:** **** Feb. 14, 2023**

(54) **HAND TOOL**

(71) Applicant: **Cheng-Hung Yen**, Taichung (TW)

(72) Inventor: **Cheng-Hung Yen**, Taichung (TW)

(**) Term: **15 Years**

(21) Appl. No.: **29/772,467**

(22) Filed: **Mar. 2, 2021**

(51) **LOC (14) Cl.** **08-04**

(52) **U.S. Cl.**
USPC **D8/85**

(58) **Field of Classification Search**
USPC D8/14, 21, 82, 83, 84, 85, 105, 107
CPC B25G 1/085; B25G 15/02; B25G 23/16;
B25B 13/465; B25B 13/06; B25B 13/463;
B25B 15/00; B25B 15/02
See application file for complete search history.

(56) **References Cited**

U.S. PATENT DOCUMENTS

D344,664 S * 3/1994 Malkinson D8/85
5,549,408 A * 8/1996 Lo F16B 7/0486
403/174
D473,444 S * 4/2003 Lin D8/83

D635,419 S * 4/2011 Chen D8/25
D660,665 S * 5/2012 Hsu D8/25
D674,265 S * 1/2013 Greer D8/85
D744,796 S * 12/2015 Hsieh D8/25
D932,264 S * 10/2021 Hsu D8/29

* cited by examiner

Primary Examiner — Philip S Hyder

(74) *Attorney, Agent, or Firm* — Birch, Stewart, Kolasch & Birch, LLP

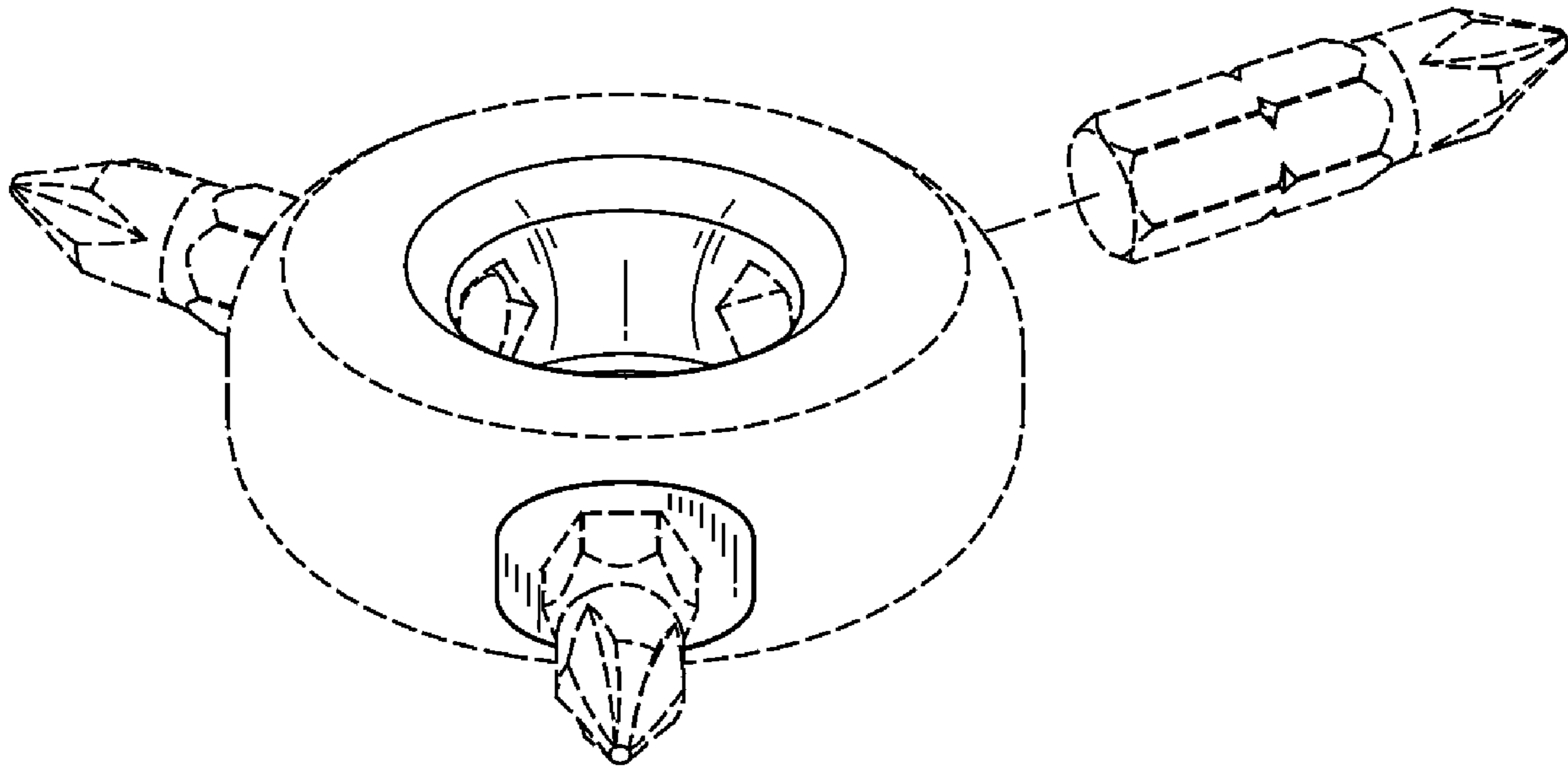
(57) **CLAIM**

The ornamental design for a hand tool, as shown and described.

DESCRIPTION

FIG. 1 is a perspective view of the hand tool, showing the new design;
FIG. 2 is a front elevational view thereof;
FIG. 3 is a rear elevational view thereof;
FIG. 4 is a left side elevational view thereof;
FIG. 5 is a top plan view thereof;
FIG. 6 is a bottom plan view thereof; and,
FIG. 7 is a perspective view showing that the hand tool of the present design is attached with tool bits.
The broken lines shown in FIGS. 1-6 illustrate portions of the hand tool that form no part of the claimed design. The broken lines shown in FIG. 7 illustrate portions of the hand tool and the tool bits that form no part of the claimed design.

1 Claim, 4 Drawing Sheets



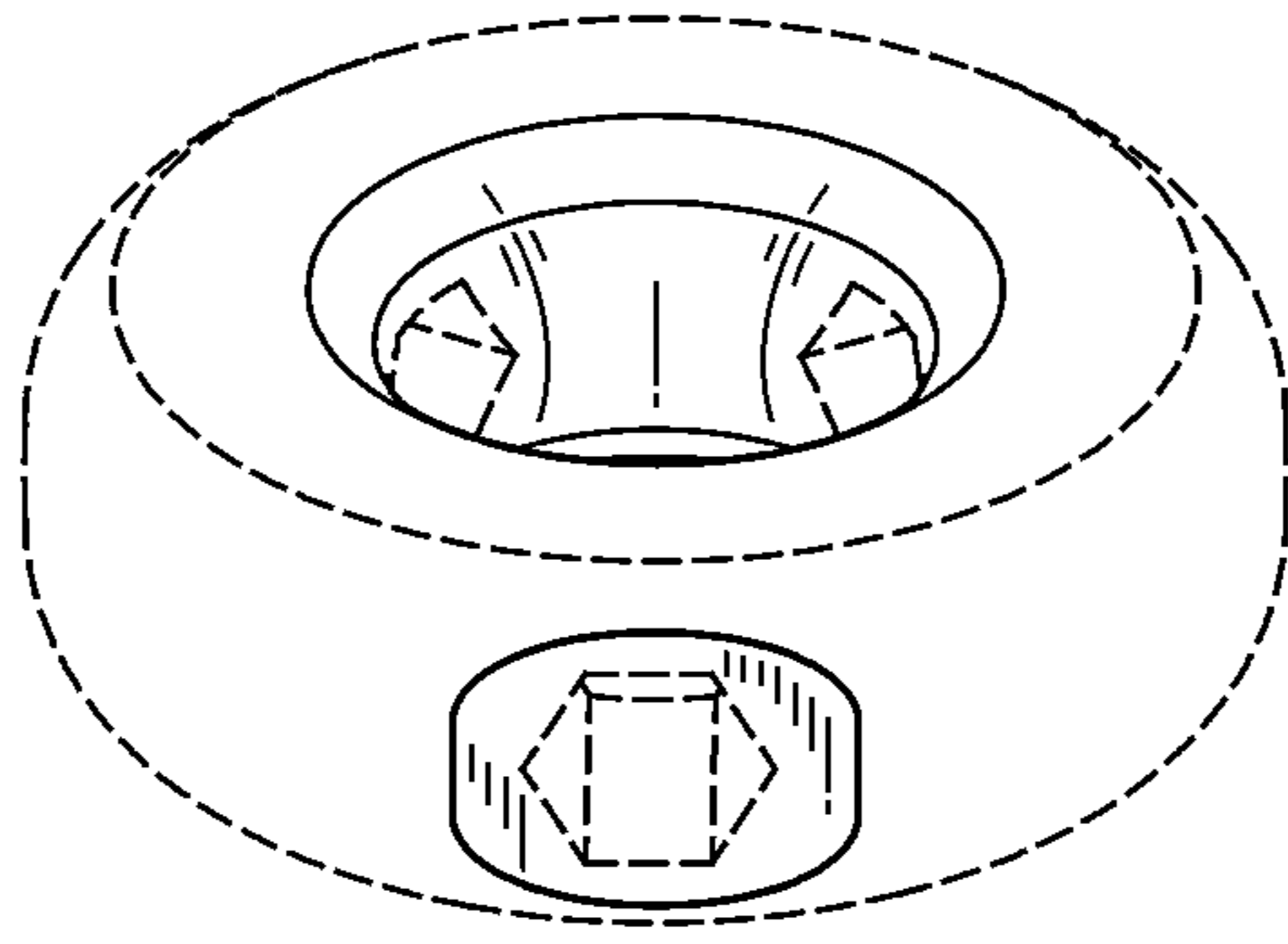


FIG. 1

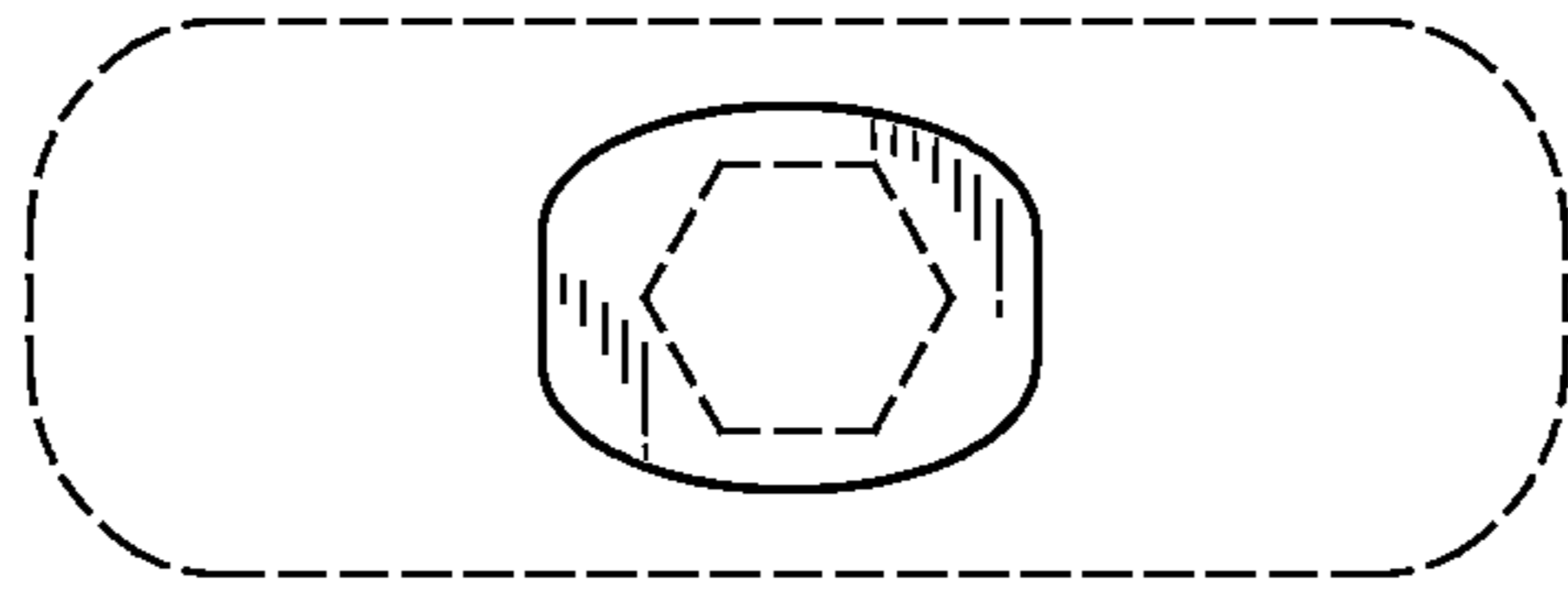


FIG. 2



FIG. 3

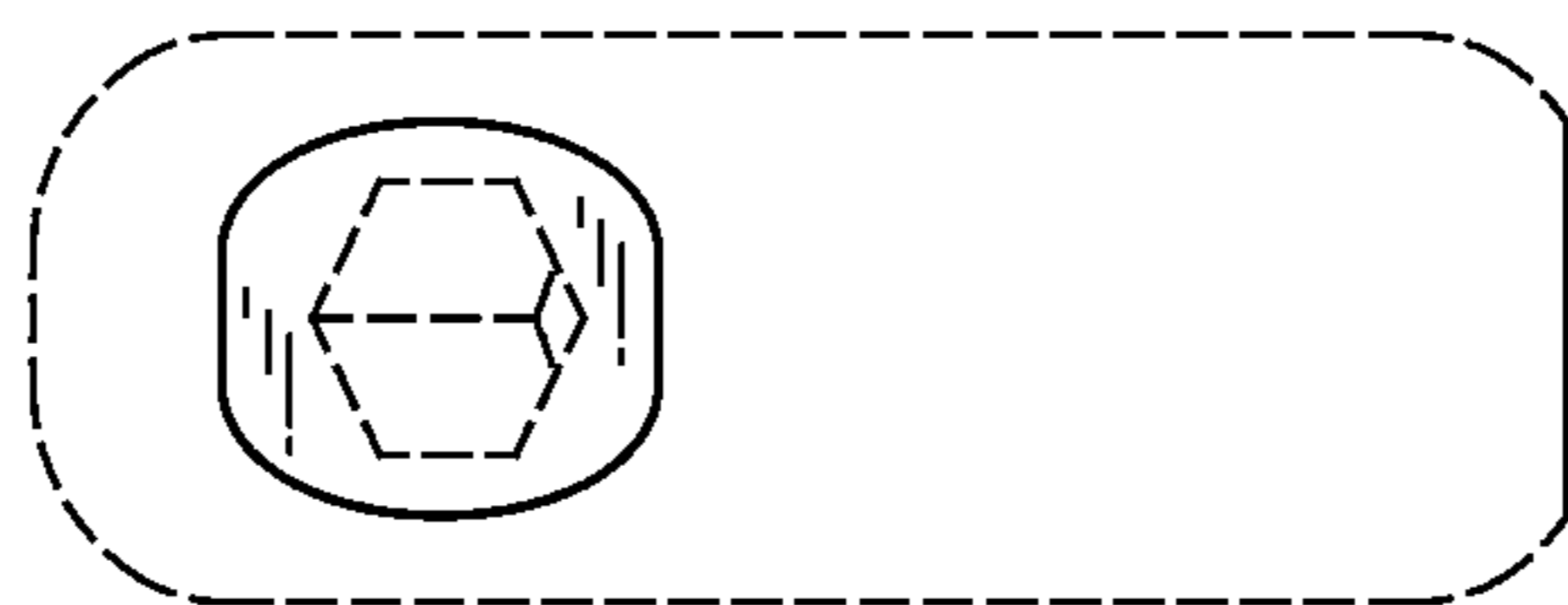


FIG. 4

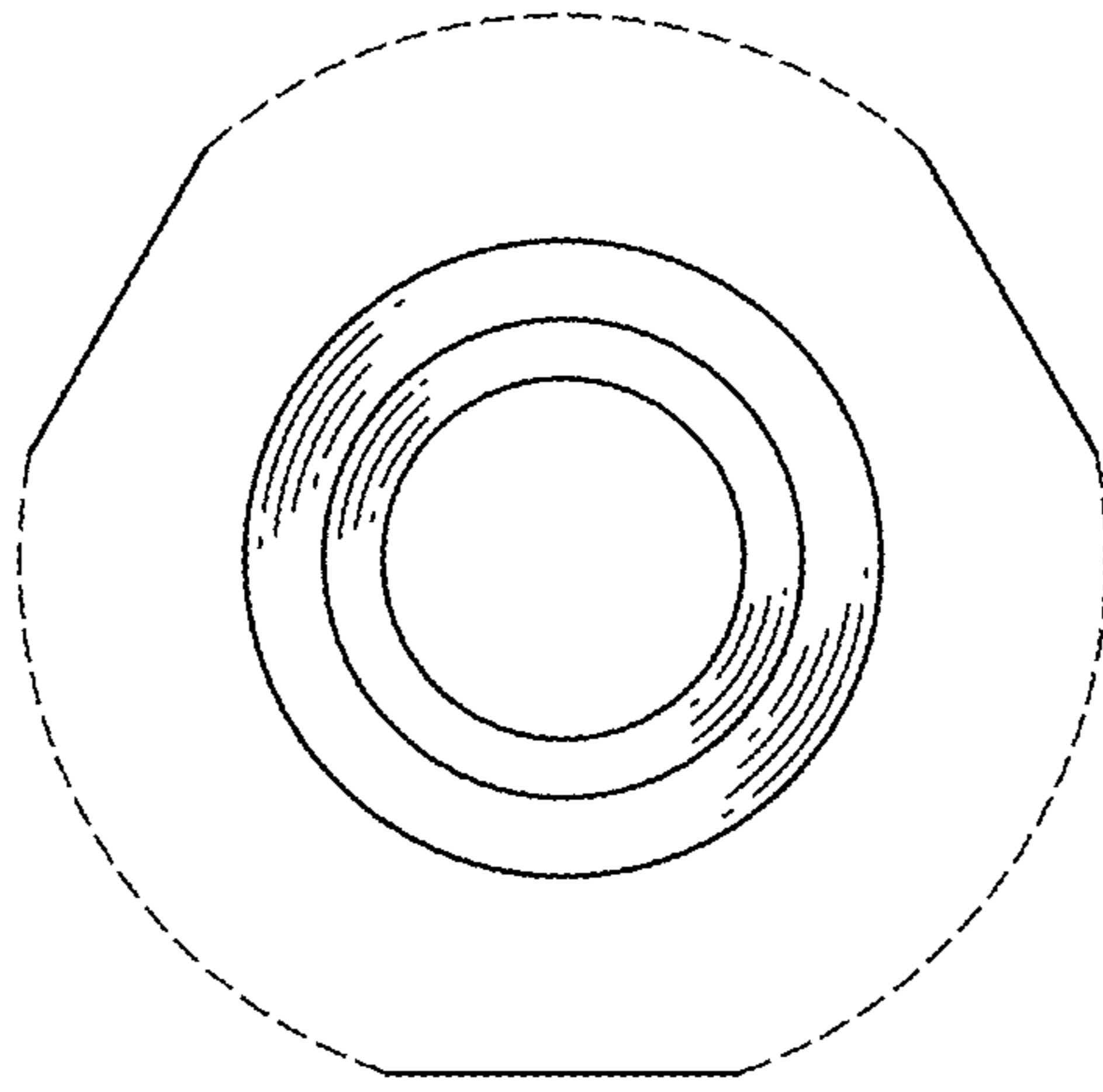


FIG. 5

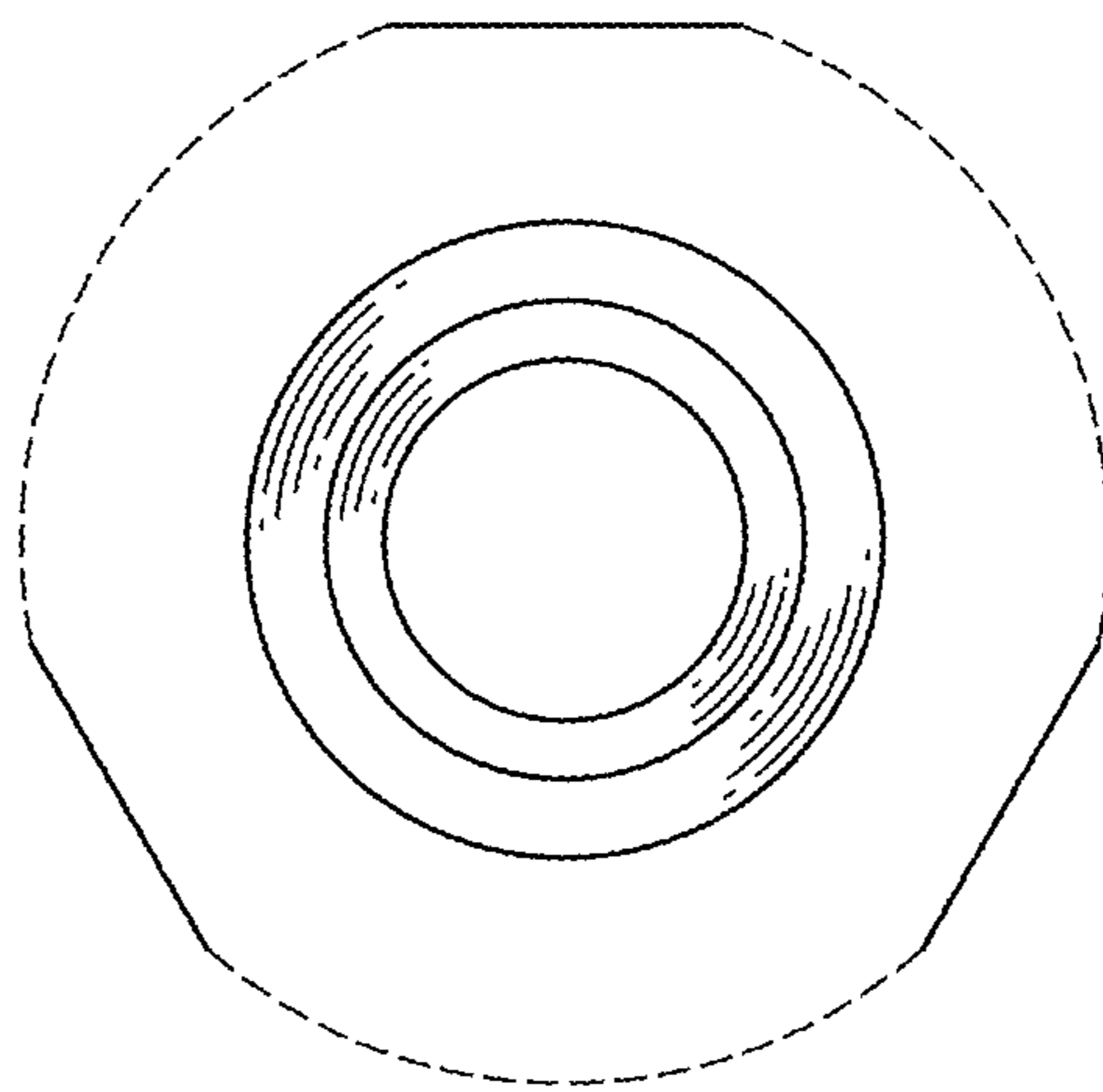


FIG. 6

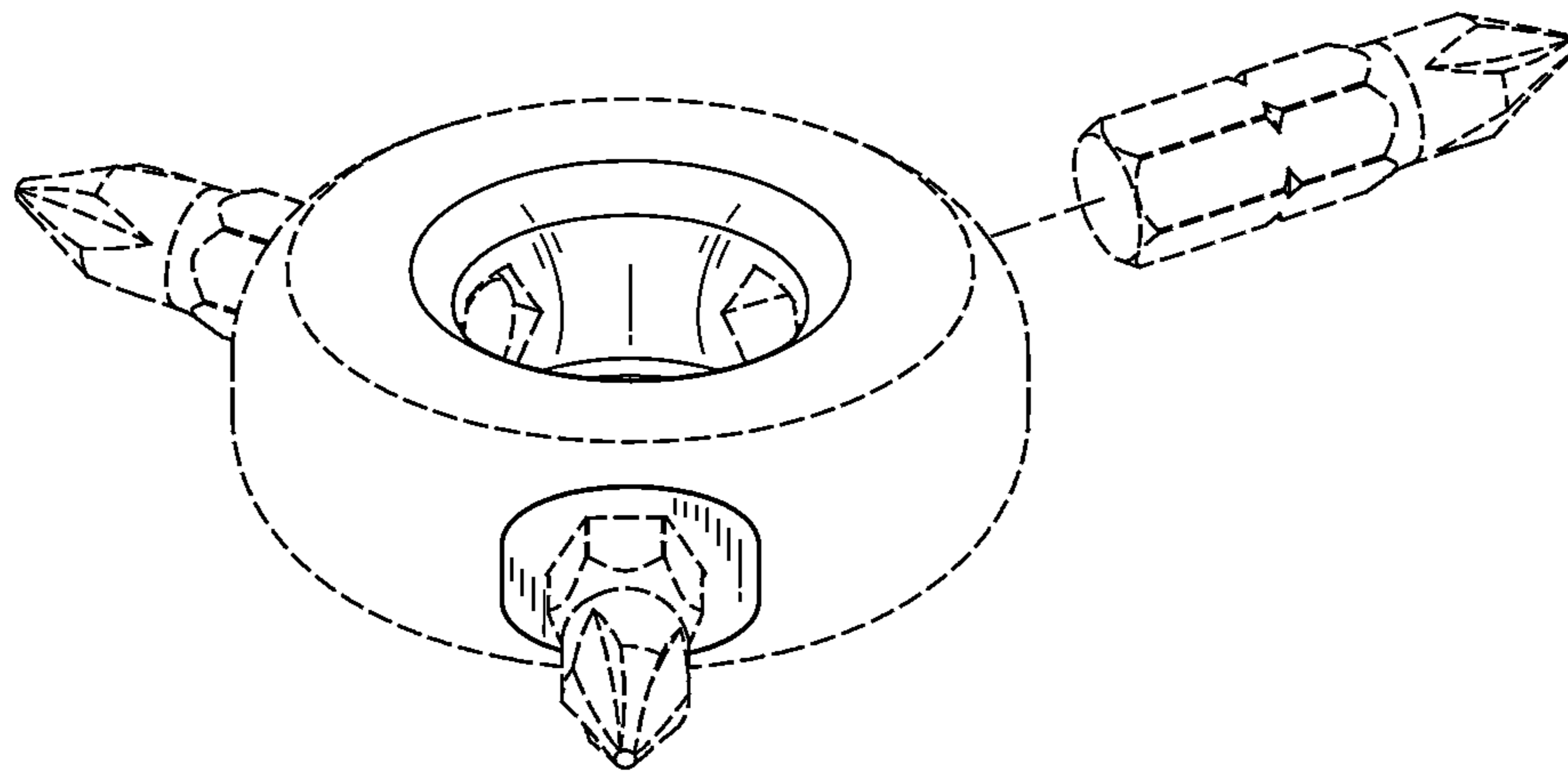


FIG. 7