



US00D977932S

(12) **United States Design Patent** (10) **Patent No.:** **US D977,932 S**
Paunovic (45) **Date of Patent:** **** Feb. 14, 2023**

- (54) **RECIPROCATING SAW**
- (71) Applicant: **Würth International AG**, Chur (CH)
- (72) Inventor: **Dejan Paunovic**, Künzelsau (DE)
- (73) Assignee: **WÜRTH INTERNATIONAL AG**, Chur (CH)
- (**) Term: **15 Years**
- (21) Appl. No.: **29/801,521**
- (22) Filed: **Jul. 29, 2021**

Related U.S. Application Data

- (62) Division of application No. 35/509,767, filed on Apr. 7, 2020 (U.S. filing date under 35 U.S.C. 384), and having an international filing date of Apr. 7, 2020, now Pat. No. Des. 934,042.

(30) **Foreign Application Priority Data**

Oct. 9, 2019 (EM) 007 002 134

- (51) **LOC (14) Cl.** **08-03**

- (52) **U.S. Cl.**
USPC **D8/64**

- (58) **Field of Classification Search**
USPC D8/61, 62, 64, 65, 66, 67, 68, 69
CPC B23D 49/16; B23D 51/01; B23D 51/10;
B23D 51/16; B25F 5/02; B26B 7/00;
F16H 21/36
See application file for complete search history.

(56) **References Cited**

U.S. PATENT DOCUMENTS

D308,469 S *	6/1990	Fushiya	D7/646
D310,008 S *	8/1990	Reiferscheid	D7/646
D379,291 S *	5/1997	Bunyea	D8/64
D447,924 S *	9/2001	Neitzell	D8/64

D631,314 S *	1/2011	Baxter	D8/64
D661,564 S *	6/2012	Busschaert	D8/64
D677,542 S *	3/2013	Baxter	D8/64
D807,135 S *	1/2018	Naksen	D8/64
D807,136 S *	1/2018	Naksen	D8/64
D863,916 S *	10/2019	Yang	D8/64
D928,578 S *	8/2021	Zhong	D8/68
11,413,693 B2 *	8/2022	Heath	B23D 61/123
2013/0019483 A1 *	1/2013	Naughton	B23D 51/16 30/376
2014/0082949 A1 *	3/2014	Kocsis	B23D 51/16 30/392
2014/0283394 A1 *	9/2014	Adams	B23D 49/162 30/394
2018/0193932 A1 *	7/2018	Gall	B23D 51/01
2018/0264566 A1 *	9/2018	Smith	B25F 5/02
2020/0368833 A1 *	11/2020	Laugh	B23D 49/165
2021/0161076 A1 *	6/2021	Wei	B23D 51/16
2021/0394288 A1 *	12/2021	Fukinuki	H02K 7/145
2022/0057079 A1 *	2/2022	Yu	F21V 33/0084
2022/0118645 A1 *	4/2022	Li	B23D 51/10
2022/0168829 A1 *	6/2022	Eaton	B23D 49/11

* cited by examiner

Primary Examiner — Darlington Ly

(74) *Attorney, Agent, or Firm* — Lucas & Mercanti, LLP; Klaus P. Stoffel

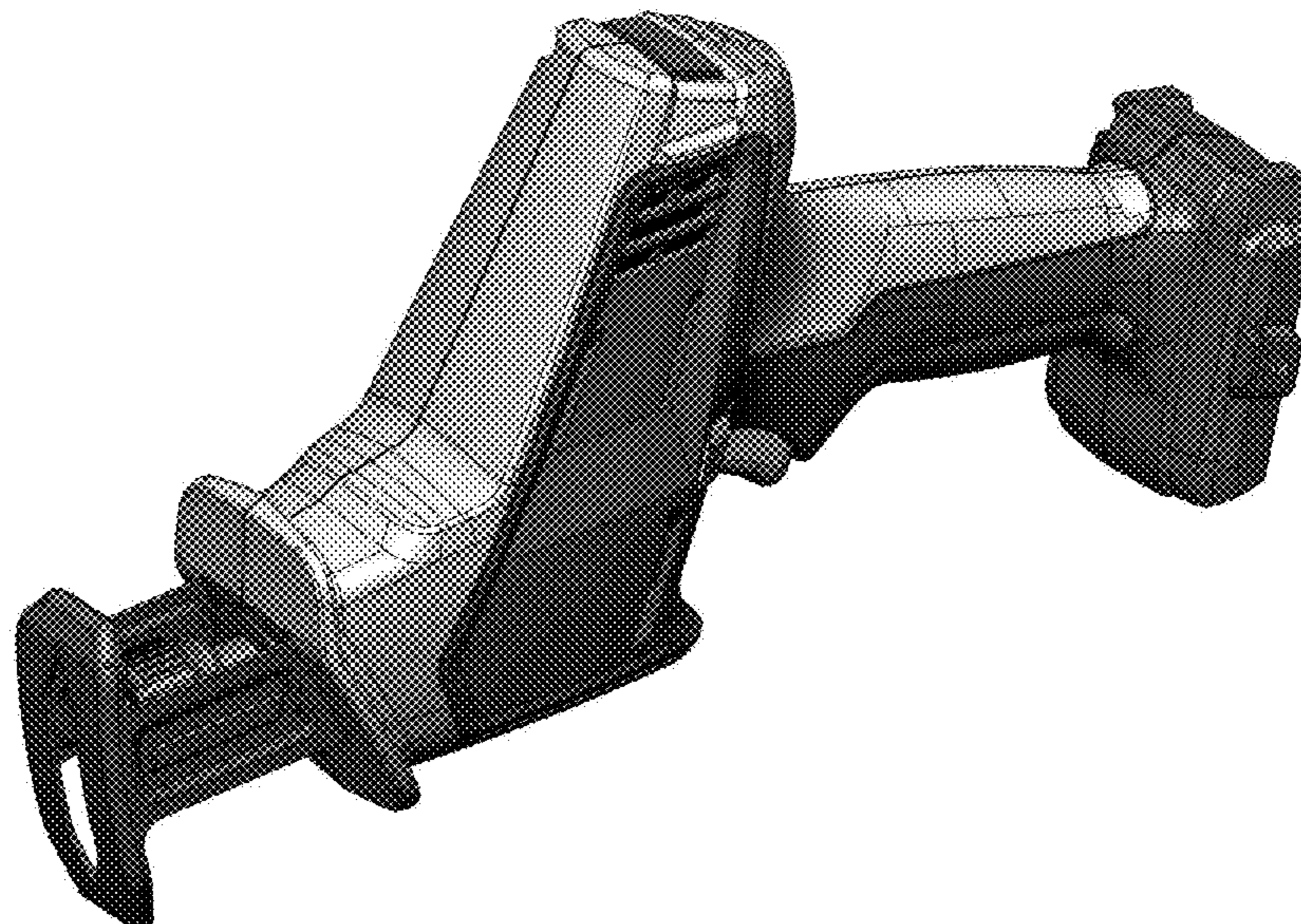
(57) **CLAIM**

The ornamental design for a reciprocating saw, as shown and described.

DESCRIPTION

FIG. 1 is a front view of a reciprocating saw showing the present design;
 FIG. 2 is a rear view thereof;
 FIG. 3 is a top view thereof;
 FIG. 4 is a bottom view thereof;
 FIG. 5 is a right side view thereof;
 FIG. 6 is a left side view thereof; and,
 FIG. 7 is a top, front perspective view thereof.

1 Claim, 7 Drawing Sheets



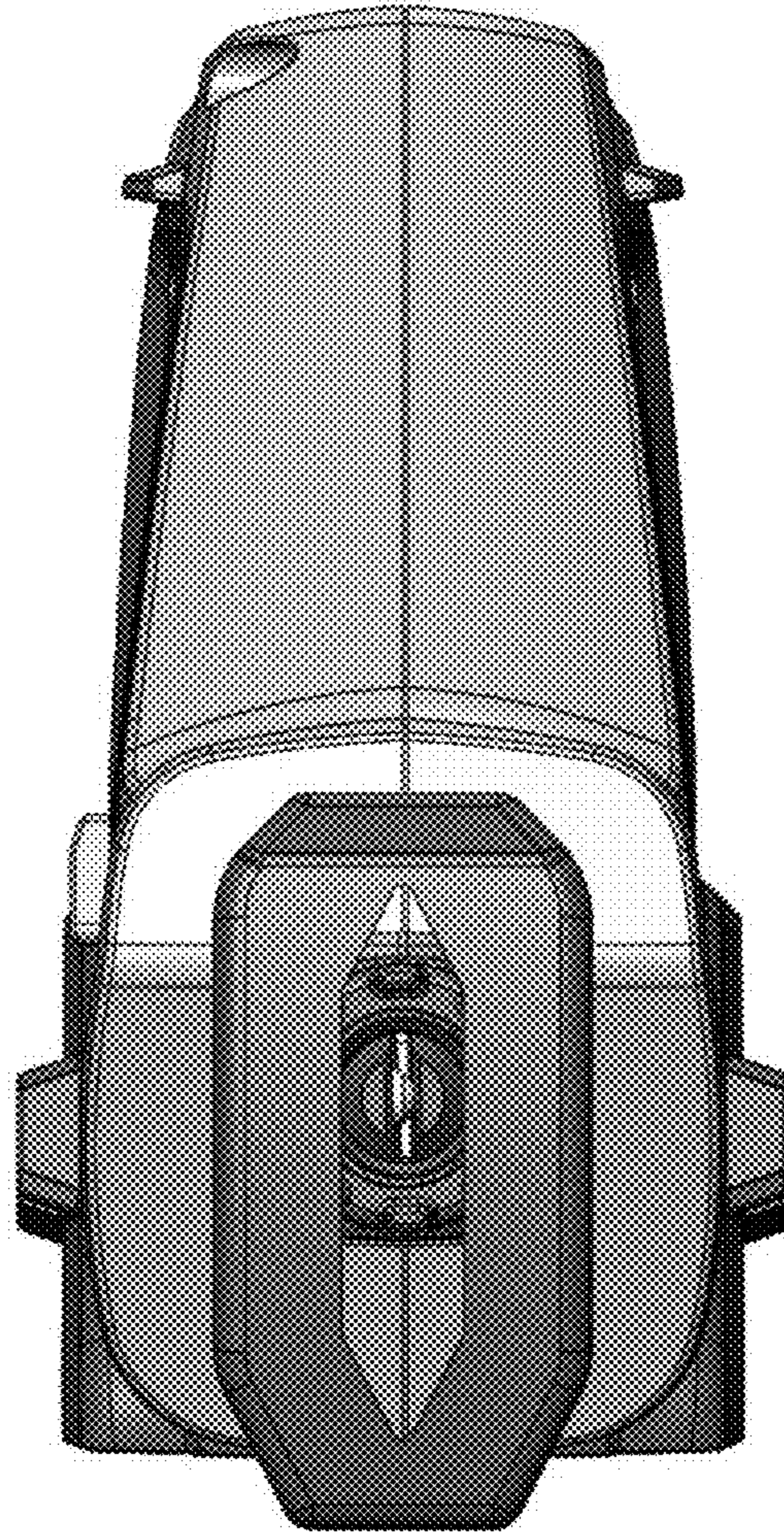


Fig. 1

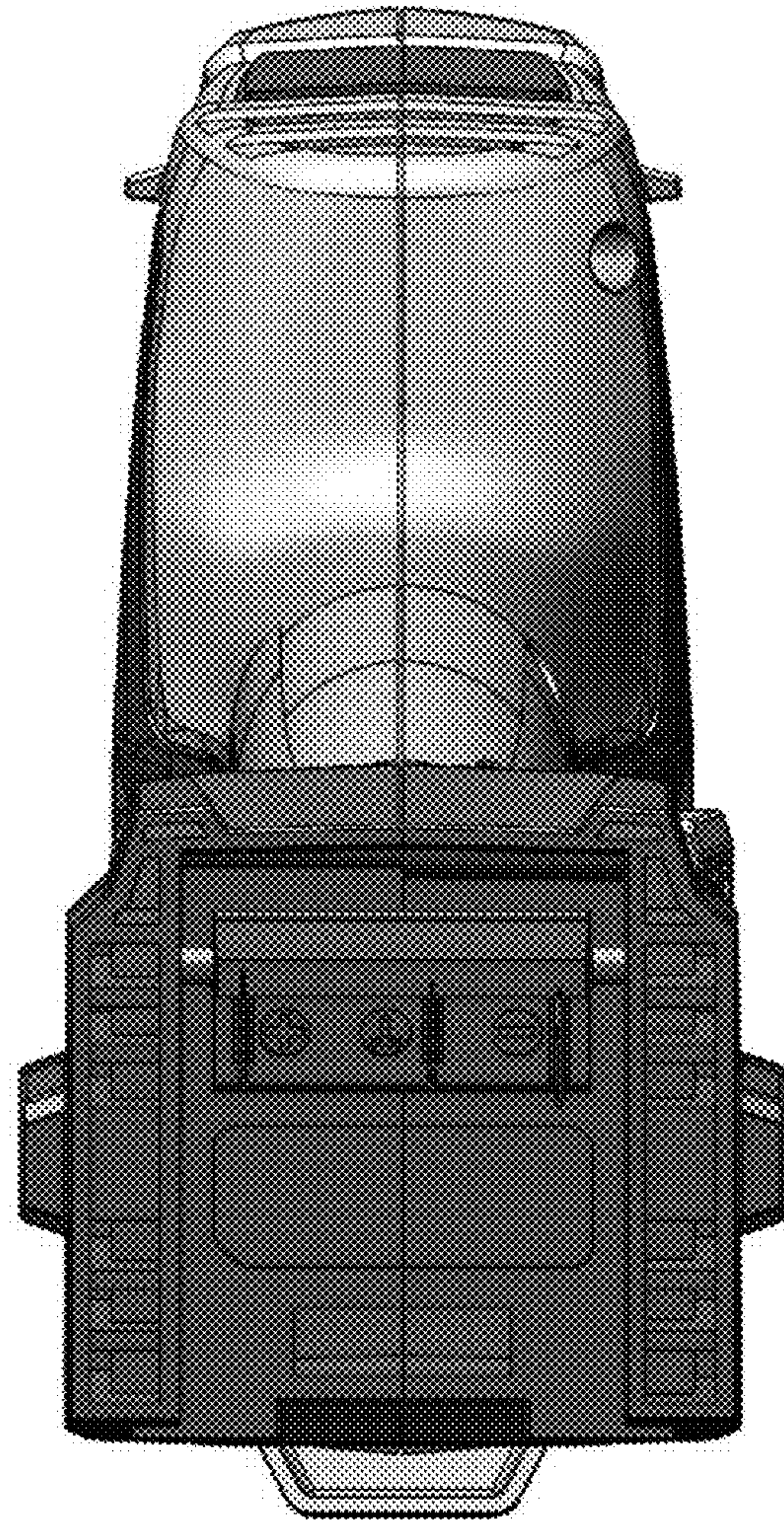


Fig. 2

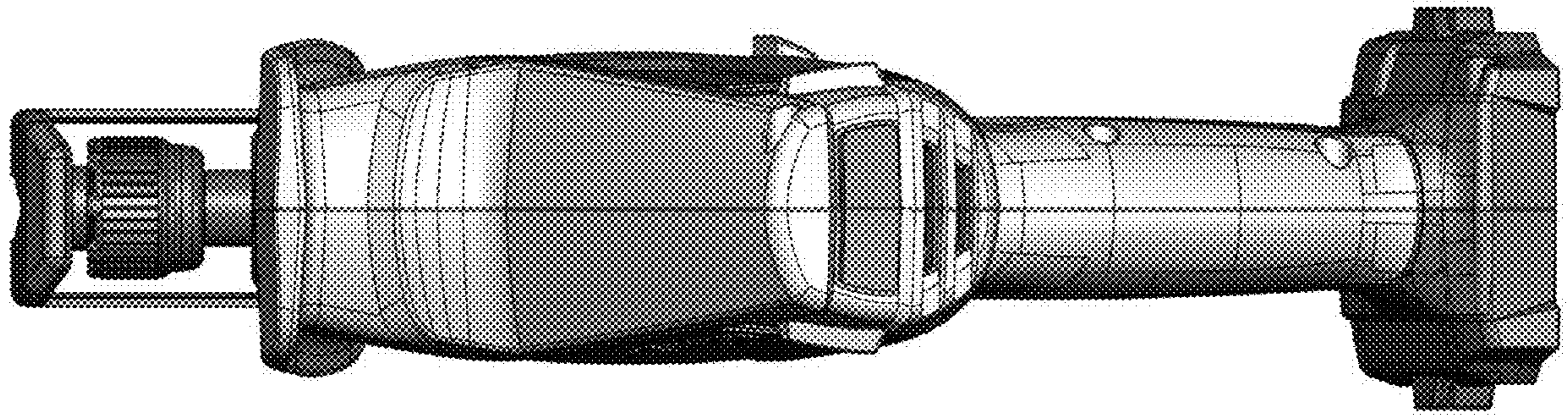


Fig. 3

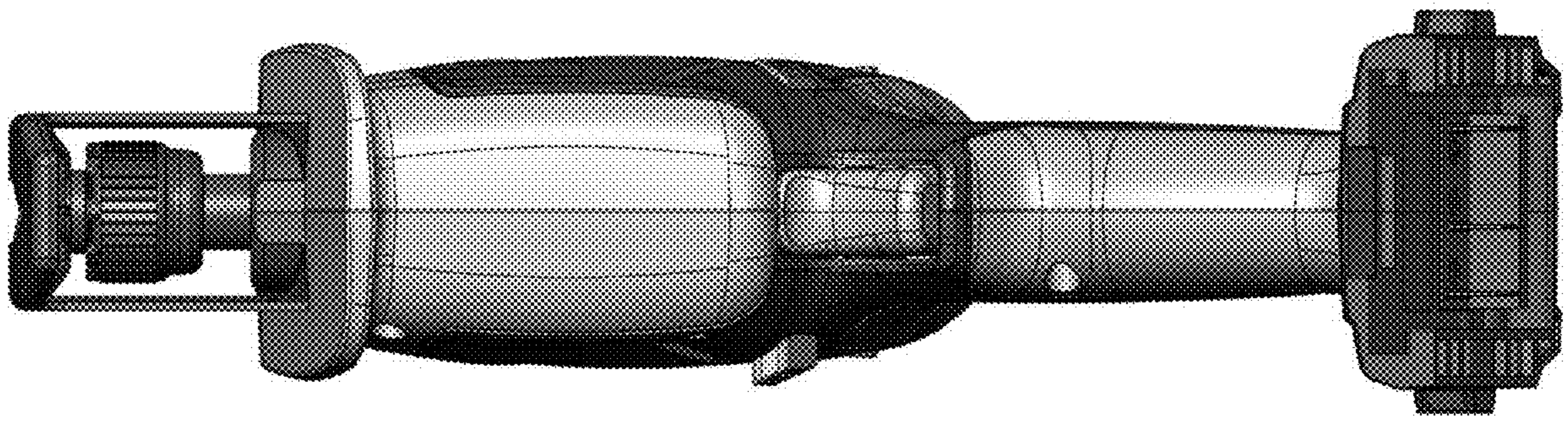


Fig. 4

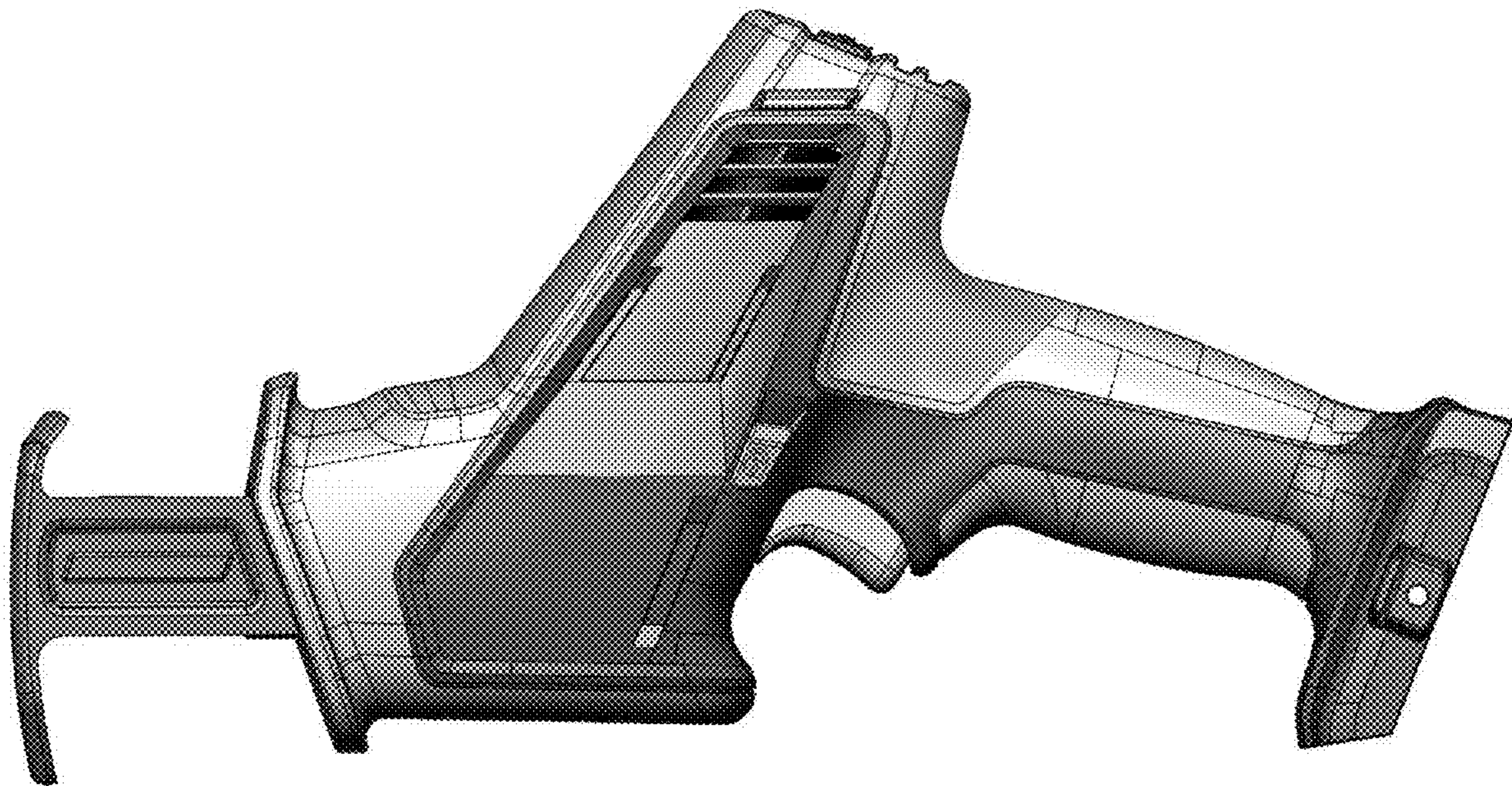


Fig. 5

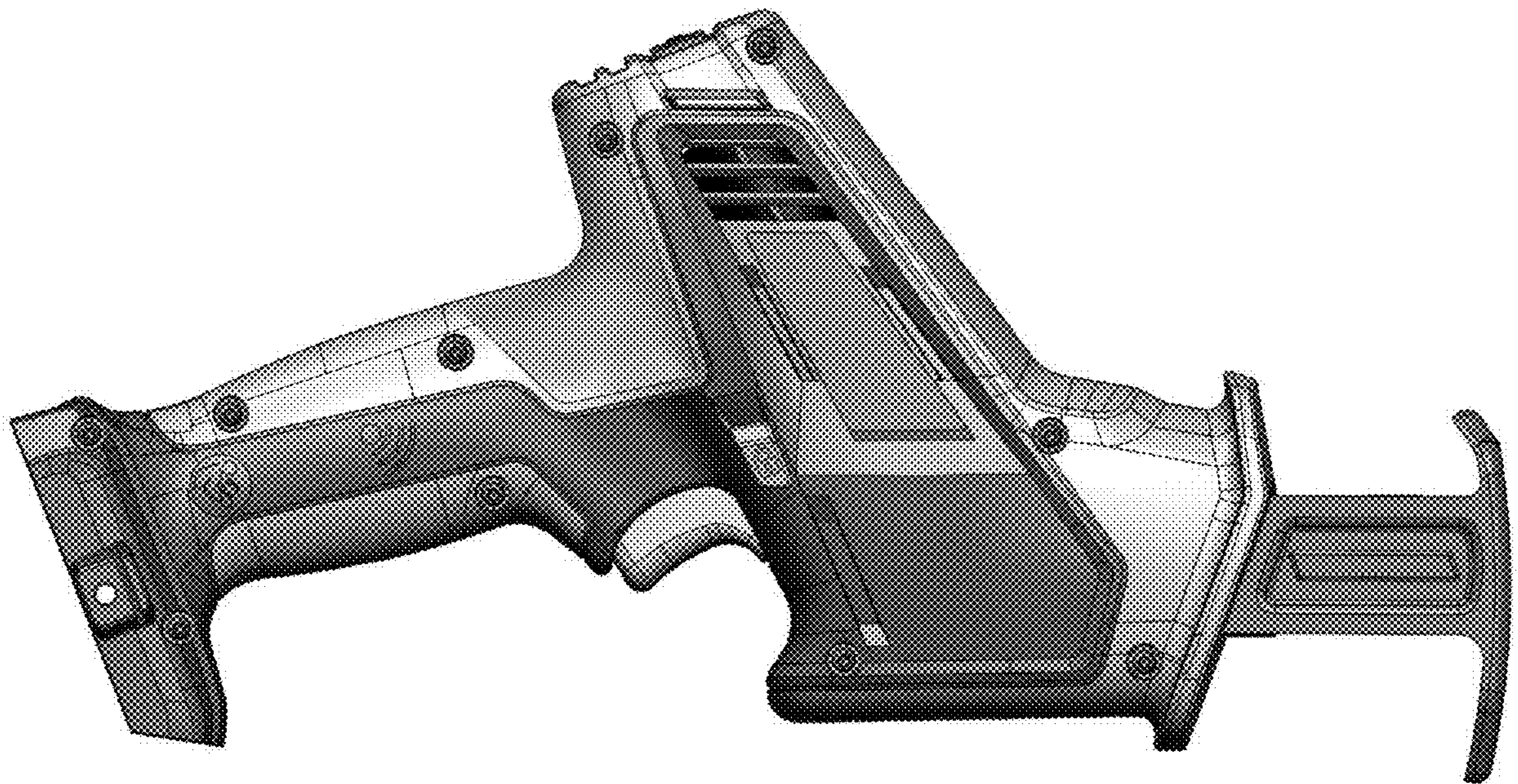


Fig. 6



Fig. 7