



US00D977929S

(12) **United States Design Patent**
Hattori

(10) **Patent No.:** **US D977,929 S**

(45) **Date of Patent:** **** Feb. 14, 2023**

(54) **BINDING TOOL**

(71) Applicant: **MAX CO., LTD.**, Tokyo (JP)

(72) Inventor: **Takeo Hattori**, Tokyo (JP)

(73) Assignee: **MAX CO., LTD.**, Tokyo (JP)

(**) Term: **15 Years**

(21) Appl. No.: **29/786,201**

(22) Filed: **May 28, 2021**

(30) **Foreign Application Priority Data**

Nov. 30, 2020 (JP) 2020-025802 D

(51) **LOC (14) Cl.** **08-05**

(52) **U.S. Cl.**

USPC **D8/44**; D8/4

(58) **Field of Classification Search**

USPC D8/4, 5, 44, 51, 61

CPC B65B 13/185; B65B 13/08; B65B 13/04;

B65B 13/345; B65B 3/183; B65B 27/105

See application file for complete search history.

(56) **References Cited**

U.S. PATENT DOCUMENTS

D368,216 S	3/1996	Hattori	
D408,698 S *	4/1999	Chen	D8/51
6,382,289 B1	5/2002	Jho	
6,527,017 B2	3/2003	Shirakawa et al.	
D481,602 S *	11/2003	Hattori	D8/69
D763,350 S *	8/2016	Whittall	D18/56
D828,124 S	9/2018	Miwa	
D925,311 S *	7/2021	Sato	B65B 13/185 D8/4
D925,312 S *	7/2021	Sato	A01G 17/08 D8/4
D925,313 S *	7/2021	Hattori	B25C 5/0285 D8/4

2004/0237805 A1* 12/2004 Hayashi B65B 13/345

100/1

2005/0028497 A1* 2/2005 Hayashi A01G 17/085

53/592

2015/0181810 A1 7/2015 Cho

(Continued)

FOREIGN PATENT DOCUMENTS

CL 2017-1482 11/2017

CL 2020-0443 6/2020

(Continued)

OTHER PUBLICATIONS

Funteck—Herramienta para atar plantas. ASIN: B07S8NHBN5. en Amazon desde al menos 7 de mayo de 2020 (amazon.com/dp/B07S8NHBN5?REF_=cm_sw_r_cp_ud_dp_3TXZRAP02E8MXF7A6G0X&th=1).

(Continued)

Primary Examiner — Philip S Hyder

(74) *Attorney, Agent, or Firm* — Weihrouch IP

(57)

CLAIM

The ornamental design for a binding tool, as shown and described.

DESCRIPTION

FIG. 1 is a perspective view of the front, top and left side of a binding tool showing my new design;

FIG. 2 is a perspective view of the rear, top and right side thereof;

FIG. 3 is a front view thereof;

FIG. 4 is a rear view thereof;

FIG. 5 is a left side view thereof;

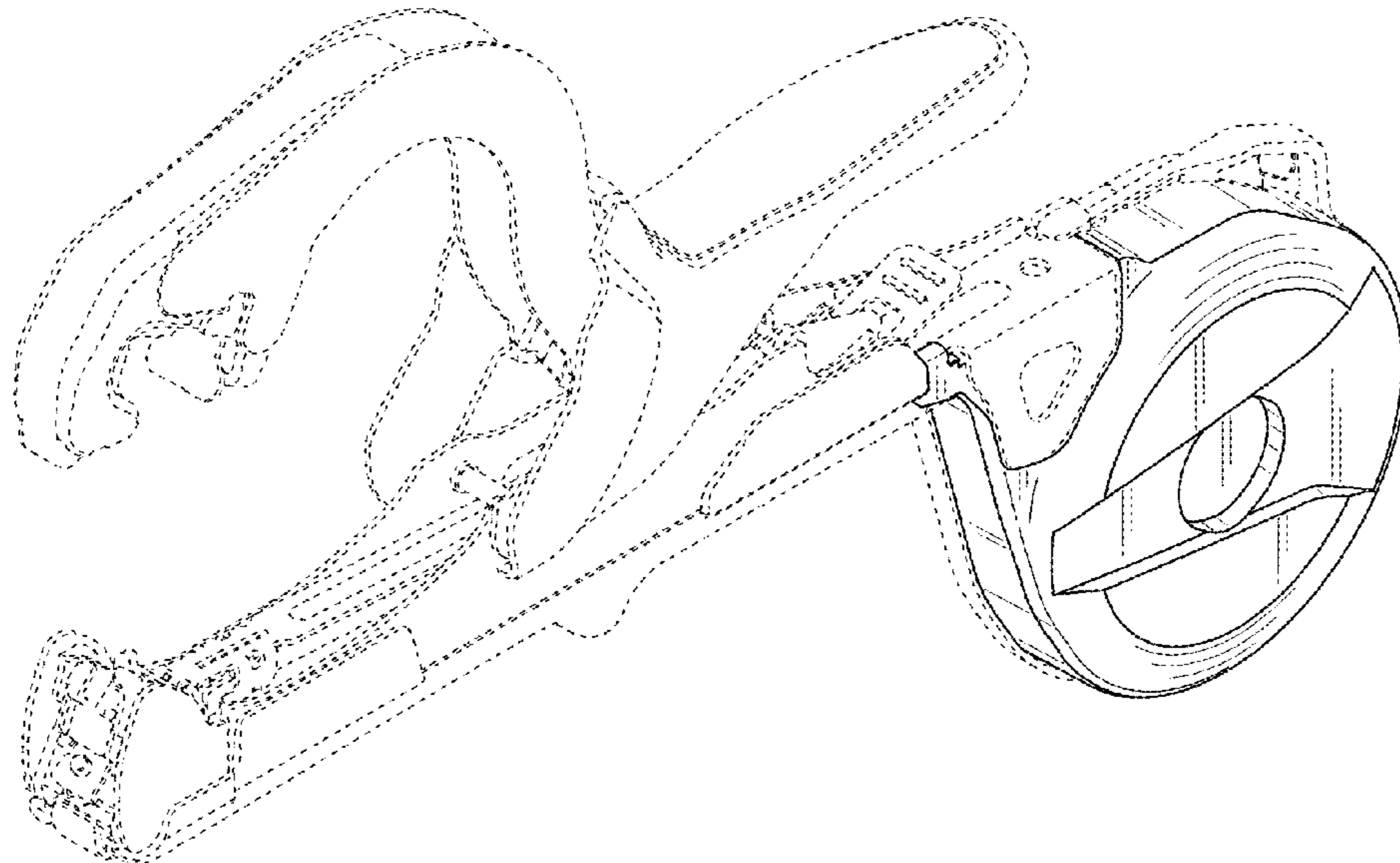
FIG. 6 is a right side view thereof;

FIG. 7 is a top view thereof; and,

FIG. 8 is a bottom view thereof.

The broken lines depict portions of the binding tool in which the design is embodied that form no part of the claimed design.

1 Claim, 6 Drawing Sheets



(56)

References Cited

U.S. PATENT DOCUMENTS

2018/0099768 A1 4/2018 Takemura
2021/0053705 A1* 2/2021 Taguchi B65B 13/185
2021/0053706 A1* 2/2021 Taguchi A01G 17/08
2021/0053707 A1* 2/2021 Taguchi B25C 5/0285
2021/0053709 A1* 2/2021 Taguchi A01G 17/08

FOREIGN PATENT DOCUMENTS

CL 2020-0444 6/2020
EM 002124495-0001 4/2013
EM 005248184-0001 5/2018
FR 025601-0001 9/2002
JP D1695943 S 9/2020
KR 10-1027960 B1 4/2011
WO 03/004358 A1 1/2003

OTHER PUBLICATIONS

Chilean Search Report dated Mar. 16, 2022, issued by the Chilean Patent Office in the corresponding Chilean Patent Application No. 202101422. (10 pages).

* cited by examiner

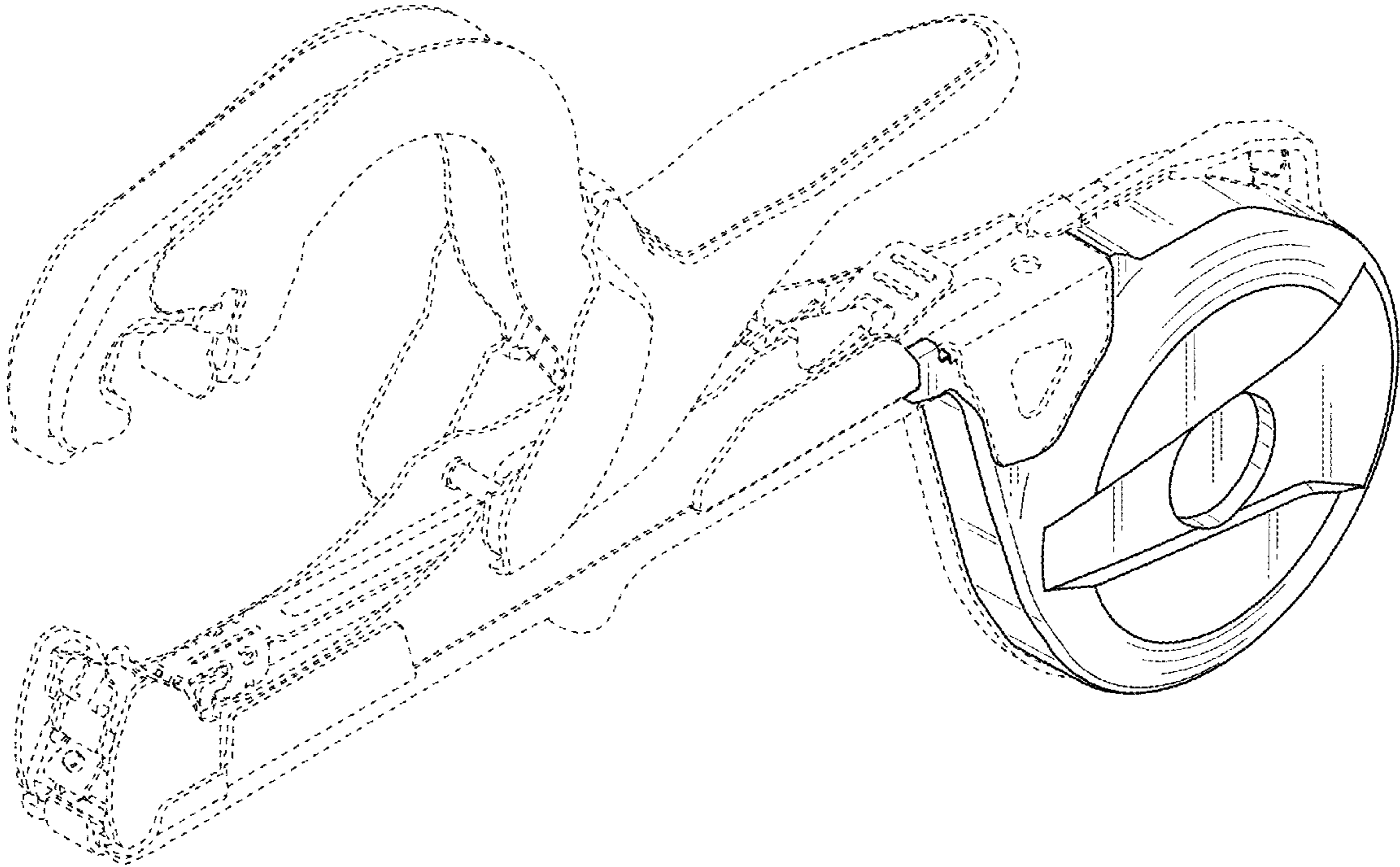


FIG. 1

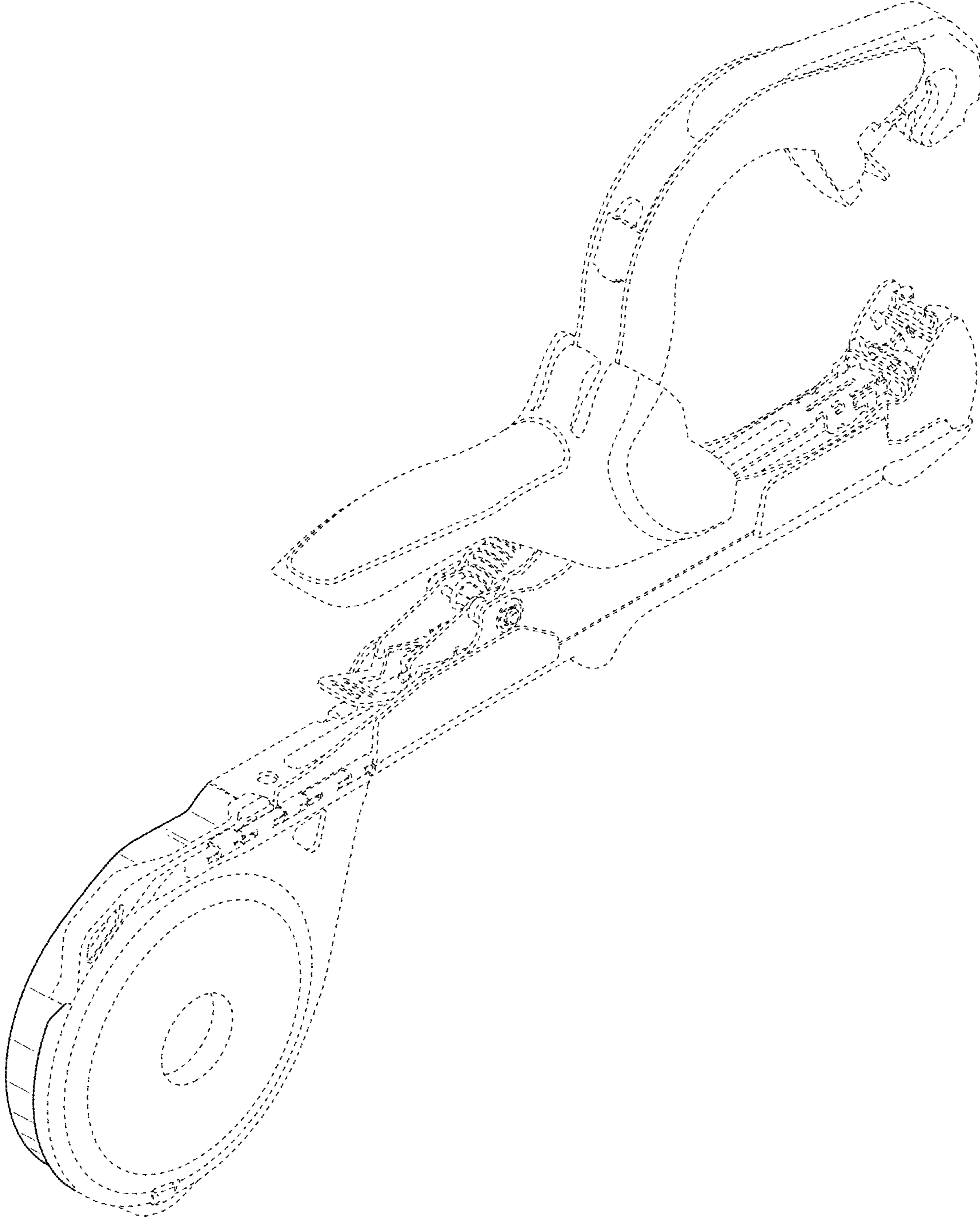


FIG. 2

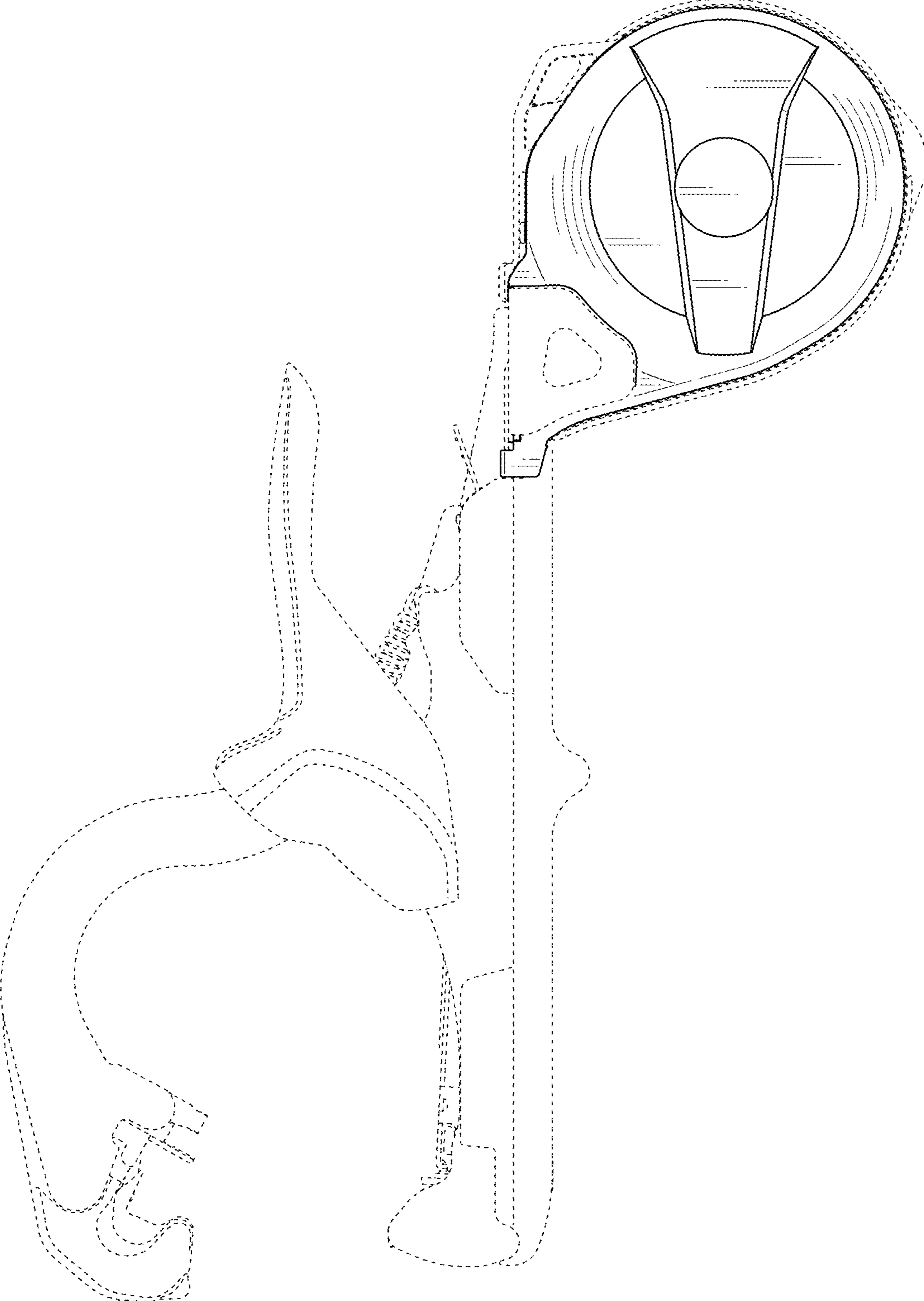


FIG. 3

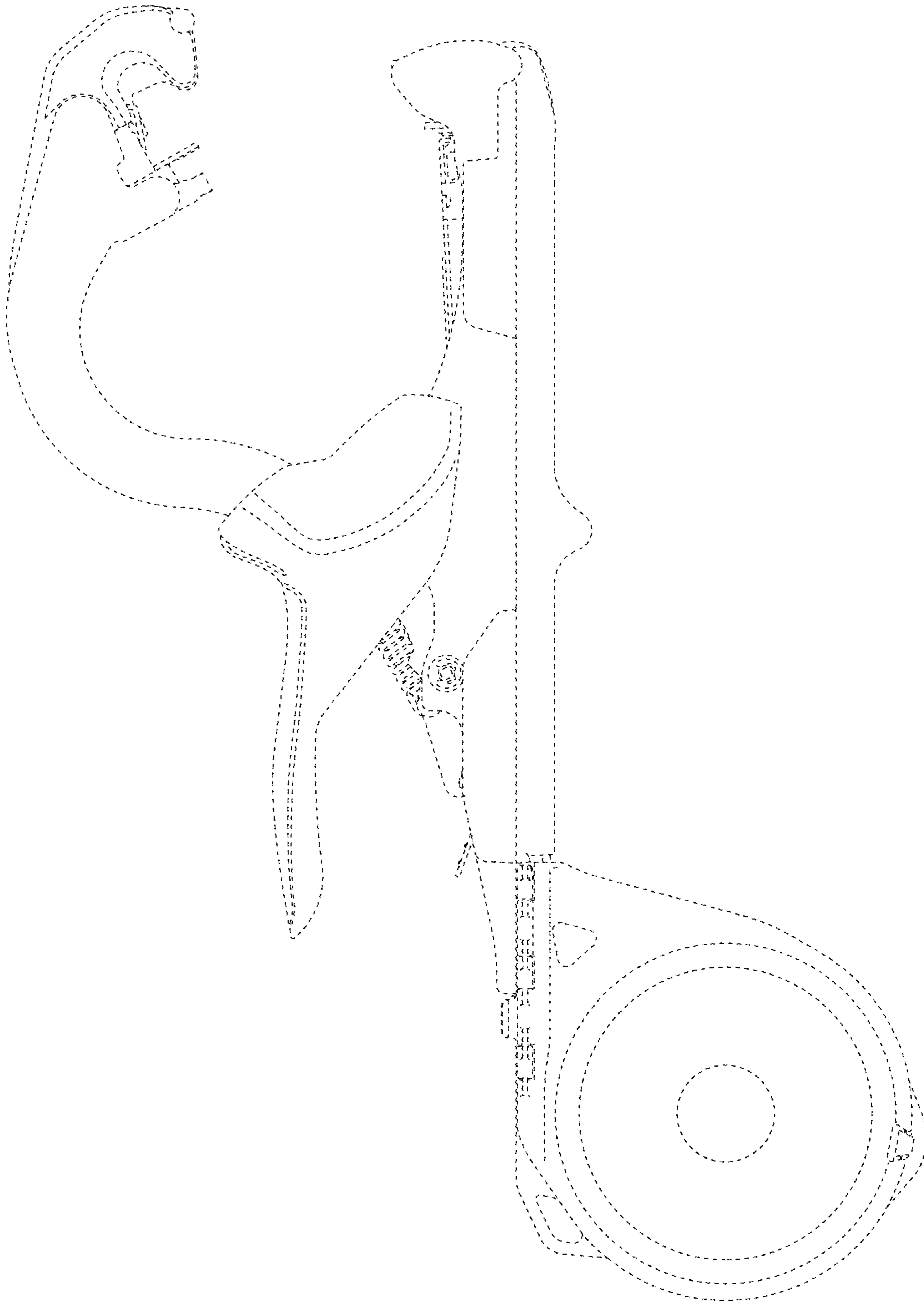


FIG. 4

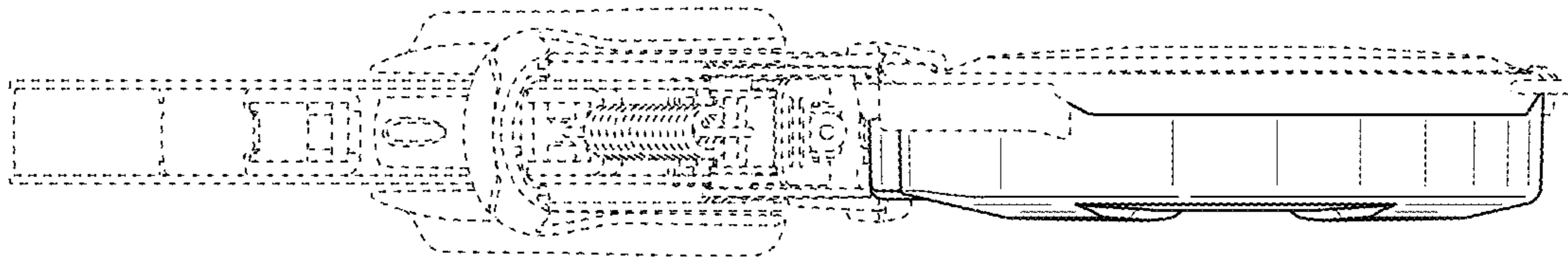


FIG. 6

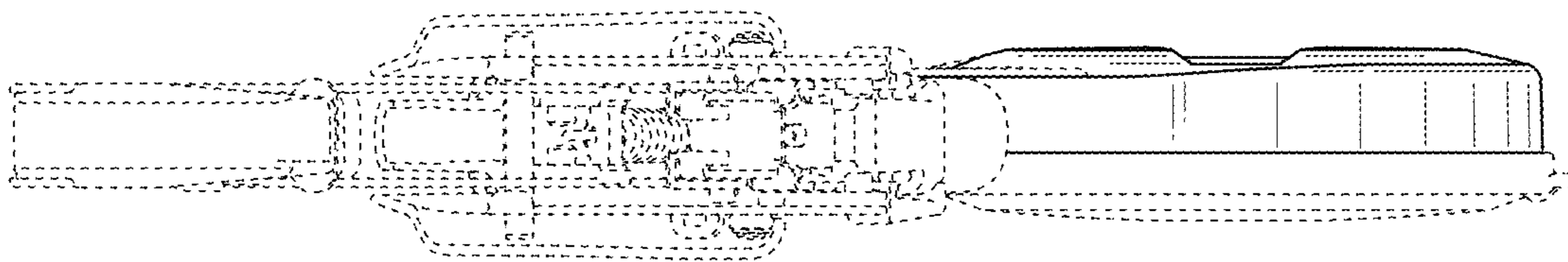


FIG. 5

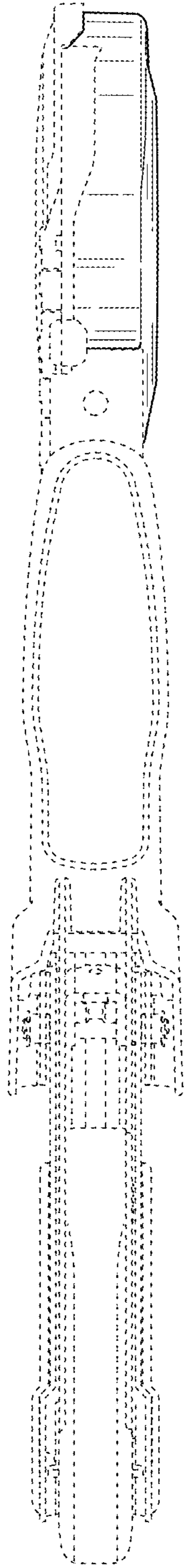


FIG. 7

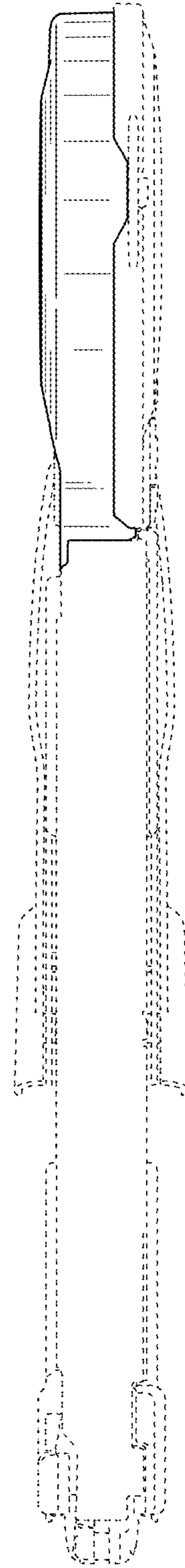


FIG. 8