



US00D977928S

(12) **United States Design Patent**  
**Allain**

(10) **Patent No.:** **US D977,928 S**

(45) **Date of Patent:** **\*\* Feb. 14, 2023**

(54) **CORKSCREW**

(71) Applicant: **U'WINE**, Bordeaux (FR)

(72) Inventor: **Ulysse Allain**, Cergy (FR)

(\*\*) Term: **15 Years**

(21) Appl. No.: **35/514,939**

(22) Filed: **Jul. 28, 2022**

(80) **Hague Agreement Data**

Int. Filing Date: **Jul. 28, 2022**

Int. Reg. No.: **DM/222622**

Int. Reg. Date: **Jul. 28, 2022**

Int. Reg. Pub. Date: **Aug. 12, 2022**

(30) **Foreign Application Priority Data**

Mar. 1, 2022 (EM) ..... 008872386-0001

(51) **LOC (14) Cl.** ..... **07-06**

(52) **U.S. Cl.**

USPC ..... **D8/42**

CPC ..... **B67B 7/0423** (2013.01)

(58) **Field of Classification Search**

USPC ... D8/18, 33, 34, 35, 36, 37, 38, 39, 40, 41,  
D8/42, 98; 81/3.09

CPC ..... B67B 7/0423; B67B 7/16; B67B 7/44;  
B67B 2007/0458

See application file for complete search history.

(56) **References Cited**

**U.S. PATENT DOCUMENTS**

D374,801 S \* 10/1996 Puig ..... D8/42

D385,763 S \* 11/1997 Trivellato ..... D8/43

D393,993 S \* 5/1998 De Bergen ..... D8/43

5,992,269 A \* 11/1999 Puig ..... B67B 7/0429

81/3.35

D421,373 S \* 3/2000 Hollinger ..... D8/42

6,367,353 B2 \* 4/2002 Brucart Puig ..... B67B 7/0429

81/3.36

D496,571 S \* 9/2004 Kay ..... D8/42

6,820,519 B2 \* 11/2004 Lefebvre ..... B67B 7/0429

81/3.47

D511,950 S \* 11/2005 Lee ..... D8/42

D576,003 S \* 9/2008 Patrizio ..... B67B 7/0429

D8/40

D599,635 S \* 9/2009 Hasegawa ..... B67B 7/0429

D8/43

8,726,764 B2 \* 5/2014 Burato ..... B67B 7/00

81/3.47

8,881,623 B2 \* 11/2014 Bernede ..... B67B 7/0429

81/3.47

D727,703 S \* 4/2015 Lee ..... D8/38

D728,335 S \* 5/2015 Watson ..... D8/42

D811,839 S \* 3/2018 Lippert ..... D8/43

D848,804 S \* 5/2019 Averill ..... D8/43

D870,526 S \* 12/2019 Patrizio ..... D8/43

(Continued)

*Primary Examiner* — Richard E Chilcot

(57) **CLAIM**

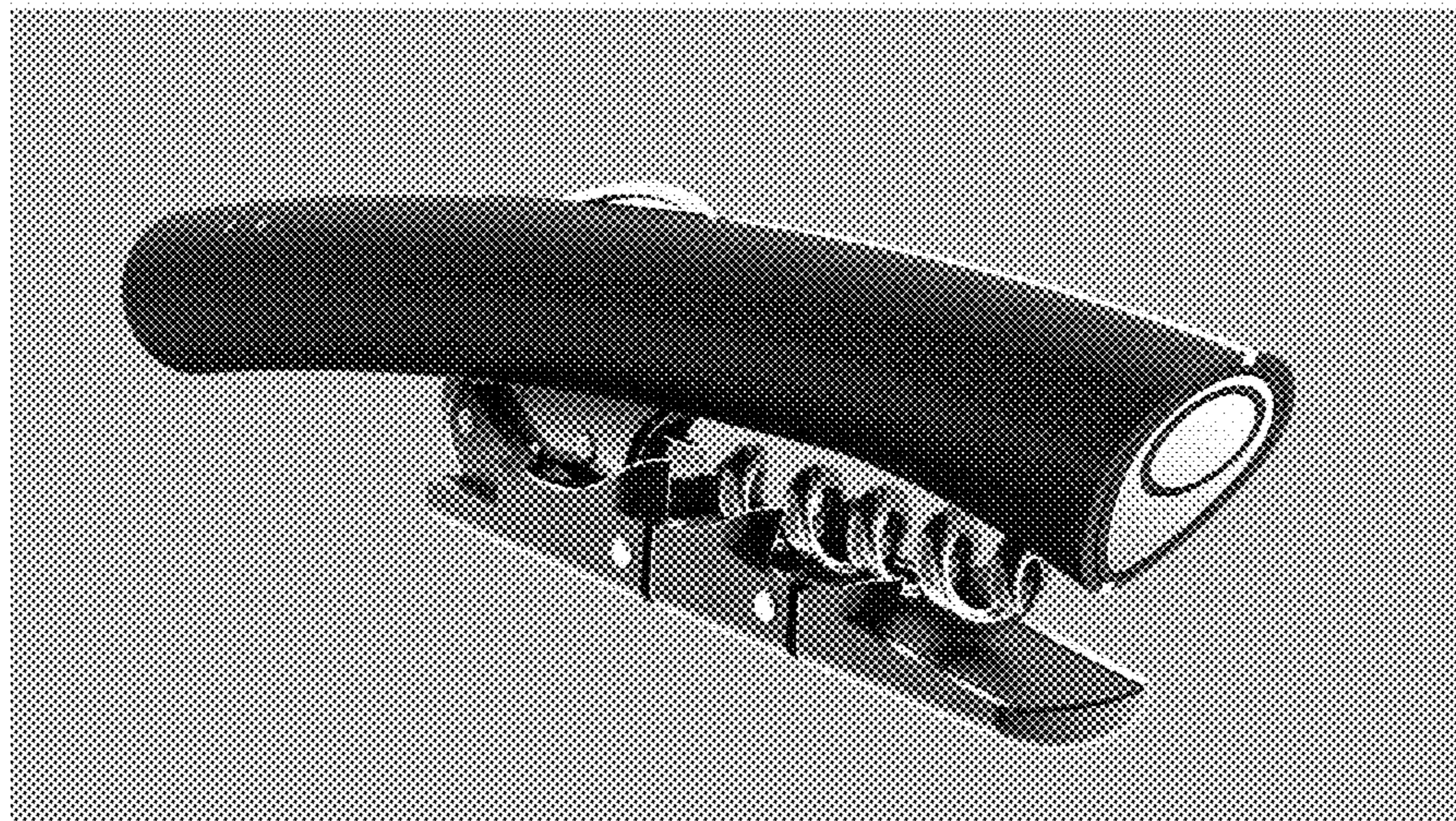
The ornamental design for a corkscrew, as shown and described.

**DESCRIPTION**

- 1. Corkscrew
- 1.1 : Perspective
- 1.2 : Front
- 1.3 : Bottom
- 1.4 : Top
- 1.5 : Left
- 1.6 : Right
- 1.7 : Unfolded

1) The name of the product incorporating the design is “corkscrew”; 2) The use of the product incorporating the design is “to draw corks from bottles with a foldable pointed spiral piece of metal and a notched lever allowing to take support on the top of the bottle’s neck; to be electrically recharged via the round-shaped terminal located on the right end of the handle (view 1.6)”; 3) The essential features of the design are the shape and pattern of the corkscrew; and 4) The view 1.1 best shows the essential features of the design (perspective view).

**1 Claim, 7 Drawing Sheets**



(56)

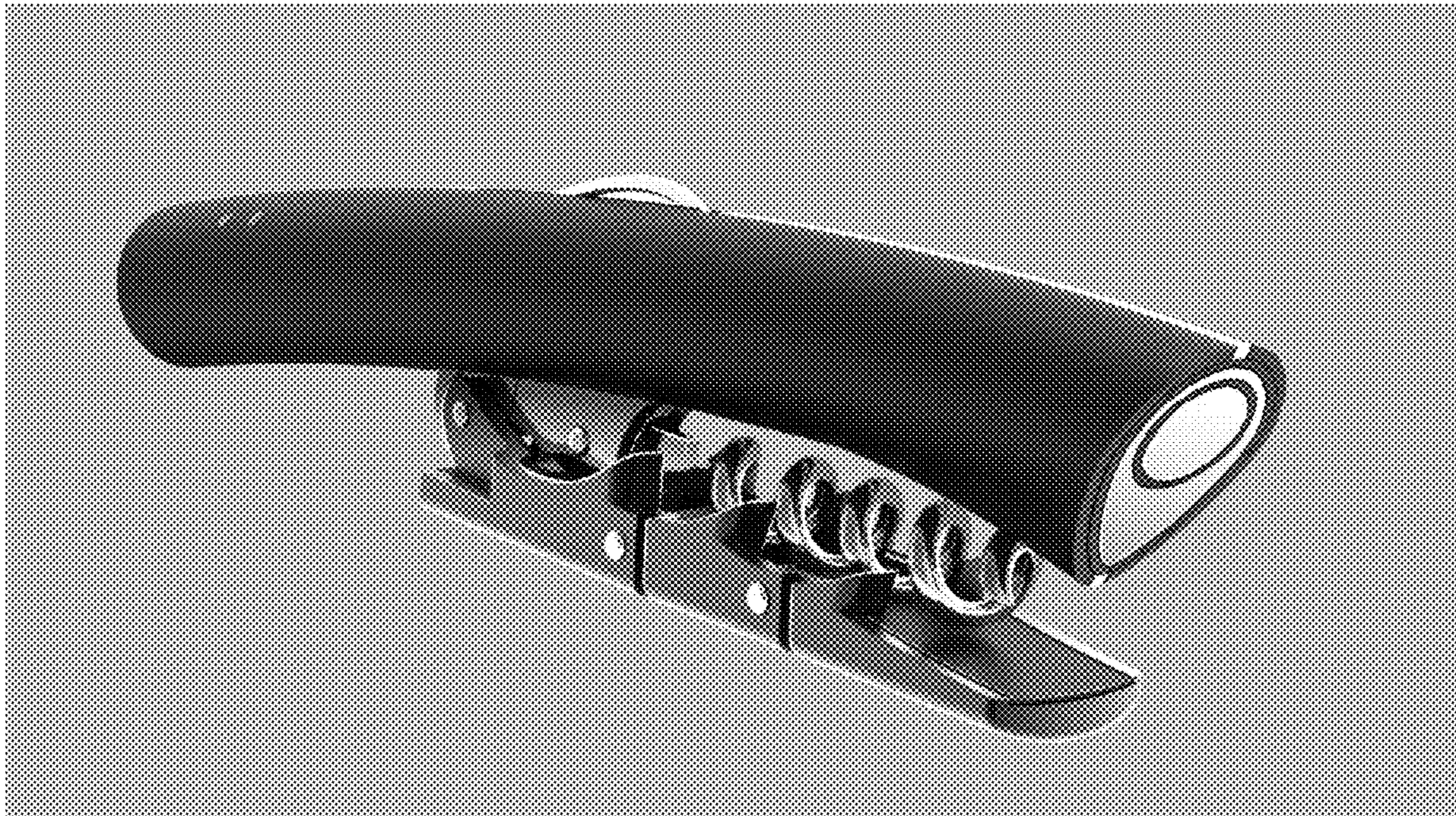
**References Cited**

U.S. PATENT DOCUMENTS

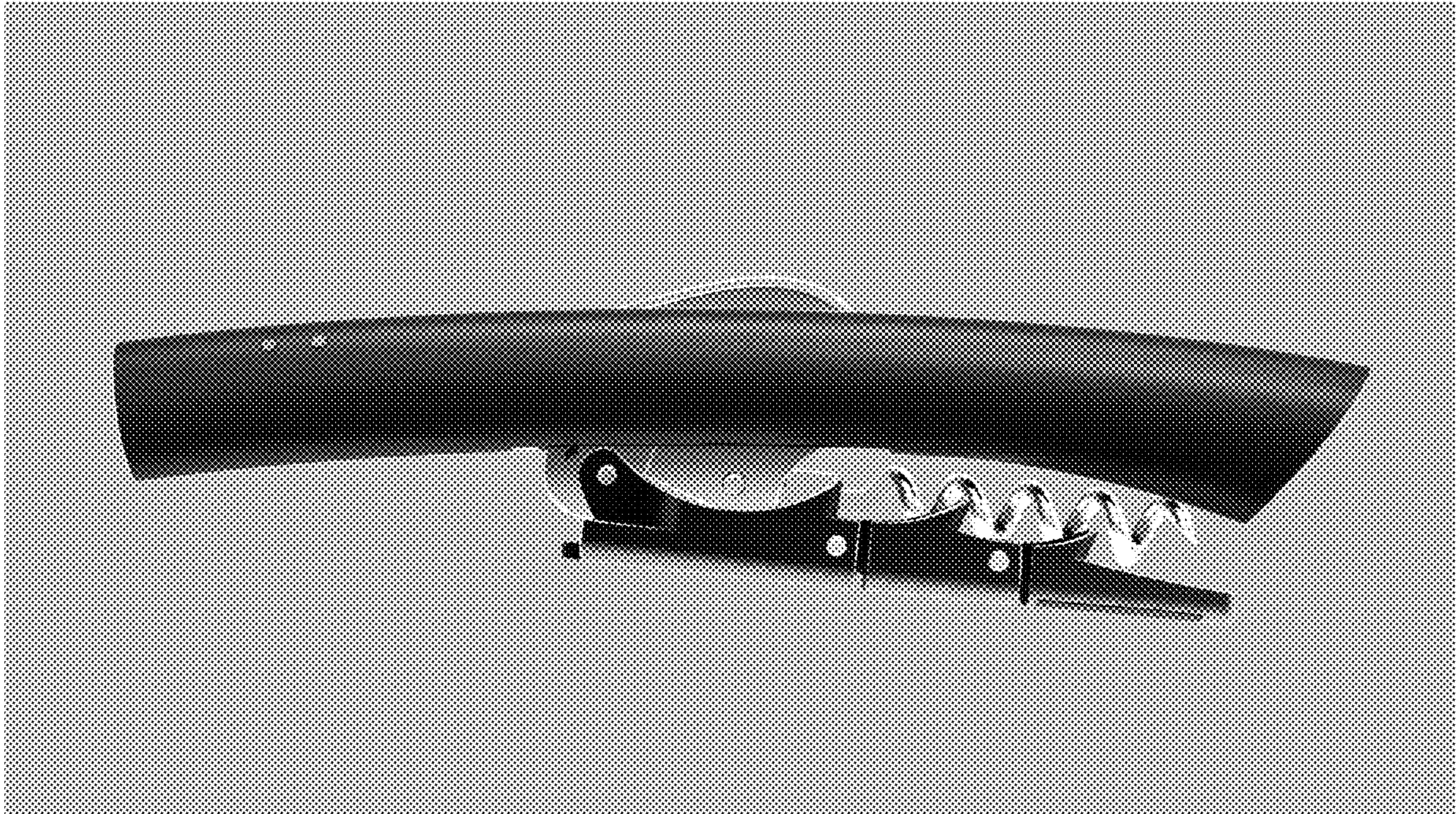
10,494,242 B2 \* 12/2019 Lippert ..... B67B 7/0423  
D871,872 S \* 1/2020 Patrizio ..... D8/43  
D875,492 S \* 2/2020 Brouillac ..... D8/42  
D897,797 S \* 10/2020 Eck ..... D8/42  
D960,675 S \* 8/2022 Song ..... D8/42  
2002/0157188 A1 \* 10/2002 Sannajust ..... B67B 7/0423  
7/156  
2003/0140733 A1 \* 7/2003 Miguel ..... B67B 7/0429  
81/3.29  
2007/0051205 A1 \* 3/2007 Farfalli ..... B67B 7/0429  
81/3.36  
2007/0125200 A1 \* 6/2007 Cellini ..... B67B 7/0429  
81/3.47  
2011/0185859 A1 \* 8/2011 Brucart-Puig ..... B67B 7/0429  
81/3.45  
2012/0222280 A1 \* 9/2012 Bernede ..... B67B 7/0429  
81/3.09  
2018/0186616 A1 \* 7/2018 Lippert ..... B67B 7/16

\* cited by examiner

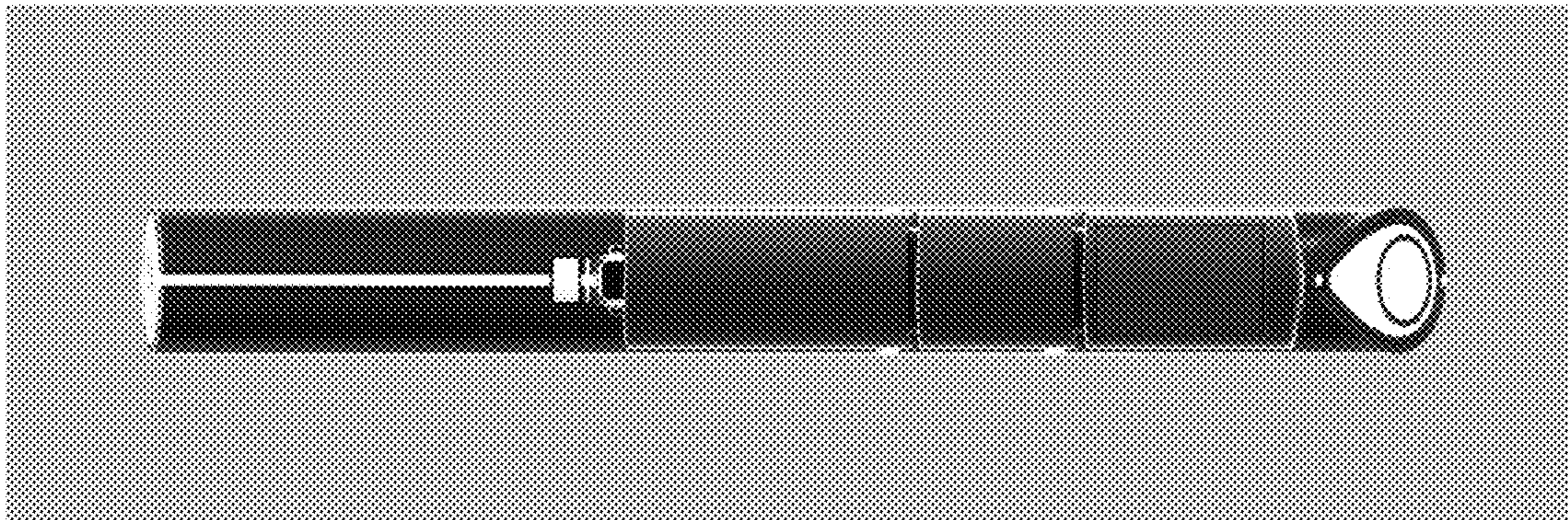
1.1



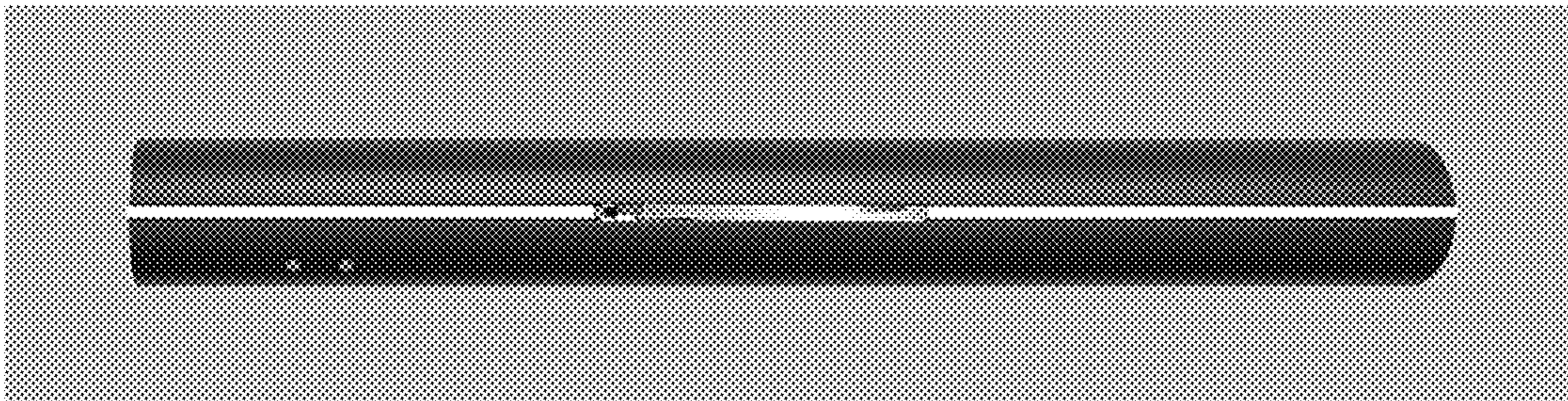
1.2



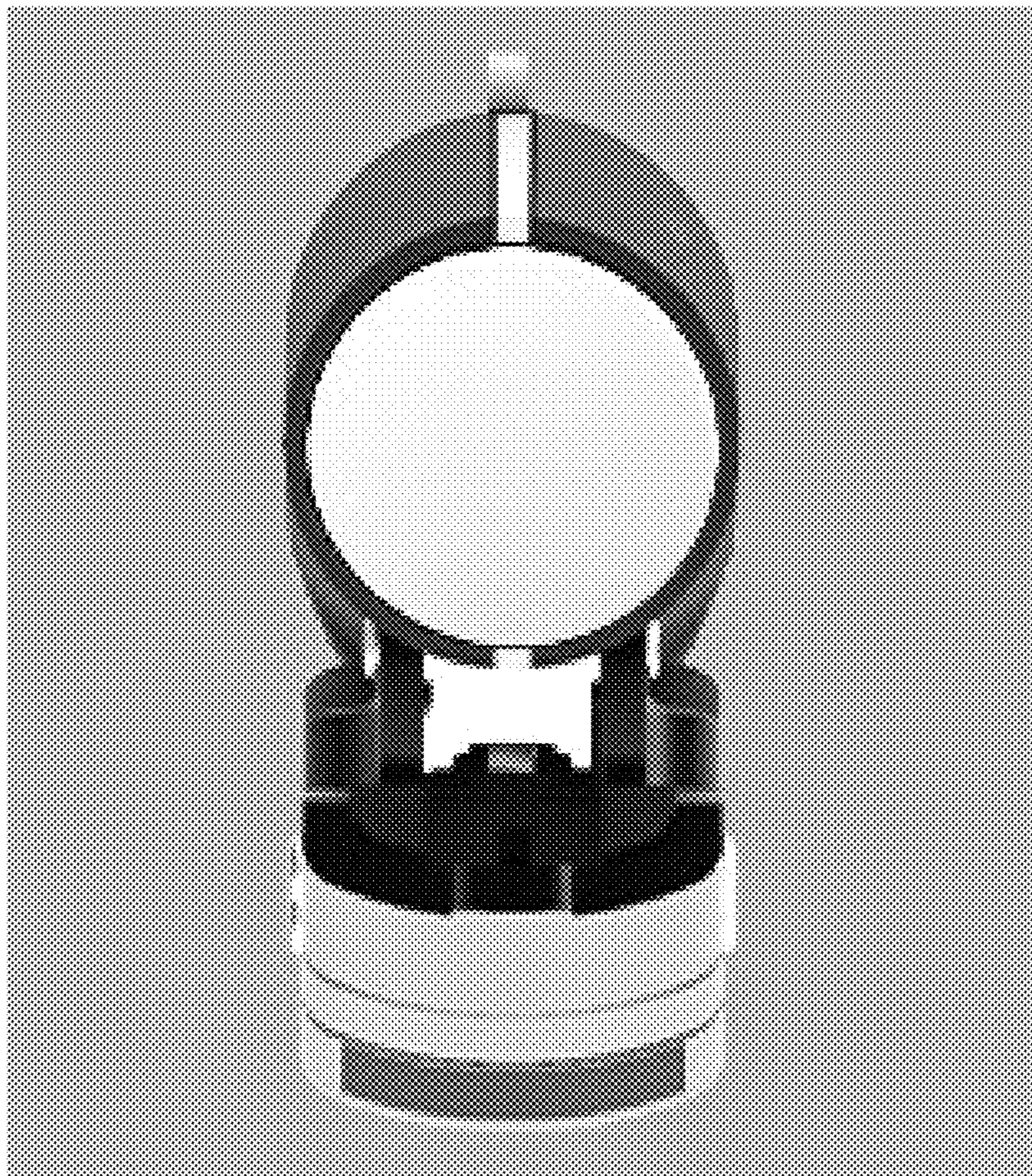
1.3



1.4



1.5



1.6





1.7

