

US00D977921S

(12) **United States Design Patent** (10) **Patent No.:** **US D977,921 S**
Xu (45) **Date of Patent:** **** Feb. 14, 2023**

(54) **LUNCH BOX**

(71) Applicant: **DONGGUAN OUMENG HOUSEWARE PRODUCTS CO., LTD**, Dongguan (CN)

(72) Inventor: **Jingsheng Xu**, Yueyang (CN)

(73) Assignee: **DONGGUAN OUMENG HOUSEWARE PRODUCTS CO., LTD**, Dongguan (CN)

(**) Term: **15 Years**

(21) Appl. No.: **29/853,511**

(22) Filed: **Sep. 16, 2022**

(51) **LOC (14) Cl.** **07-07**

(52) **U.S. Cl.**
USPC **D7/629**

(58) **Field of Classification Search**
USPC D7/500, 538, 541, 542, 584, 586, 587, D7/601, 602, 629, 630, 701, 702, 703, D7/707, 708; D3/201, 273, 294
CPC A45C 11/20; A47J 47/14; B65D 11/00
See application file for complete search history.

(56) **References Cited**

U.S. PATENT DOCUMENTS

D566,484 S *	4/2008	George	D7/629
D796,920 S	9/2017	Staton et al.		
D831,445 S *	10/2018	Karger	D7/703
D866,268 S *	11/2019	Tan	D7/709
D878,876 S *	3/2020	Dalton	D7/629
D880,956 S *	4/2020	Tan	D7/629
D911,117 S *	2/2021	Xu	D7/602
D911,119 S *	2/2021	Zhong	D7/629
D912,401 S *	3/2021	Dowd	D3/294
D944,608 S *	3/2022	Lu	D7/703

D946,979 S *	3/2022	Earle	D7/629
D951,727 S	5/2022	Zhong		
D953,129 S *	5/2022	Swartz	A45C 11/20 D7/703
D962,020 S *	8/2022	Zhang	D7/703
2011/0114526 A1 *	5/2011	Neumann	A45C 11/20 206/459.5

OTHER PUBLICATIONS

Aohea Bento Lunch Box for Kids, first available Aug. 2, 2022, Amazon, [online], [site visited Dec. 14, 2022], Available from internet URL: <https://www.amazon.com/AOHEA-Bento-Lunch-Box-Kids/dp/B0B8BTF6XW> (Year: 2022).
Miracle Heals Bento Lunch Box for Kids, first available Dec. 7, 2022, Amazon, [online], [site visited Dec. 14, 2022], Available from internet URL: <https://www.amazon.com/Compartments-Leak-Proof-Dishwasher-Food-Safe-Materials/dp/B0BPCHBWG9> (Year: 2022).*

(Continued)

Primary Examiner — Mary Ann Calabrese
Assistant Examiner — Natalya M Rapundalo

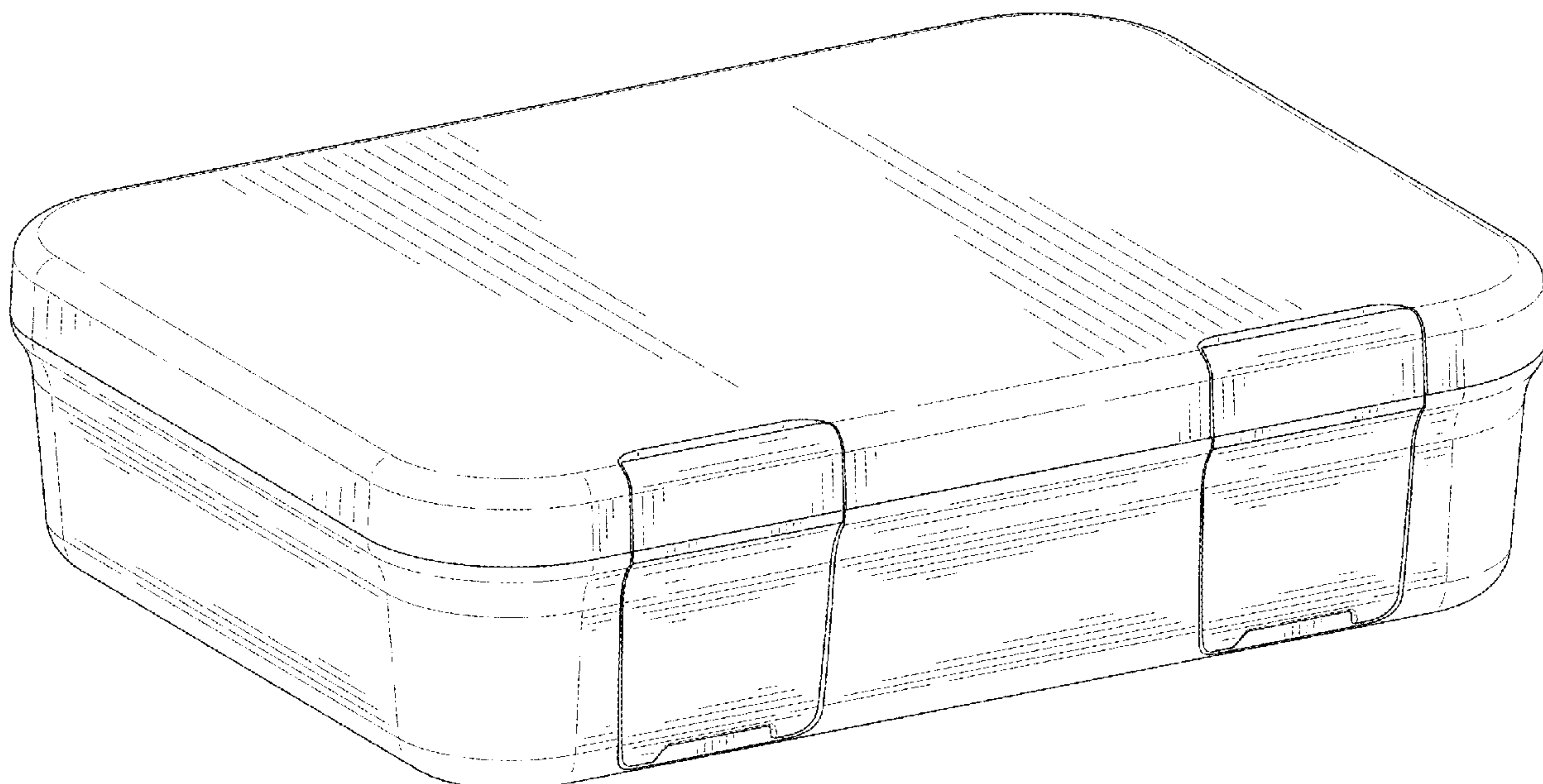
(57) **CLAIM**

The ornamental design for a lunch box, as shown and described.

DESCRIPTION

FIG. 1 is a top front perspective view of a lunch box showing my new design;
FIG. 2 is a bottom rear perspective view thereof;
FIG. 3 is a front elevational view thereof;
FIG. 4 is a rear elevational view thereof;
FIG. 5 is a left side elevational view thereof;
FIG. 6 is a right side elevational view thereof;
FIG. 7 is a top plan view thereof; and,
FIG. 8 is a bottom plan view thereof.
The broken lines in the drawings depict portions of the lunch box that form no part of the claimed design.

1 Claim, 8 Drawing Sheets



(56)

References Cited

OTHER PUBLICATIONS

Design No. 009176183-0001, Sep. 16, 2022—European Union Intellectual Property Office (EUIPO) Publication Date—Sep. 28, 2022 Owner—Dongguan Oumeng Houseware Products Co., Ltd, Designer—Xu Jingsheng DesignView, available at www.tmdn.org/tmdsview-web/welcome (Year: 2022).*

* cited by examiner

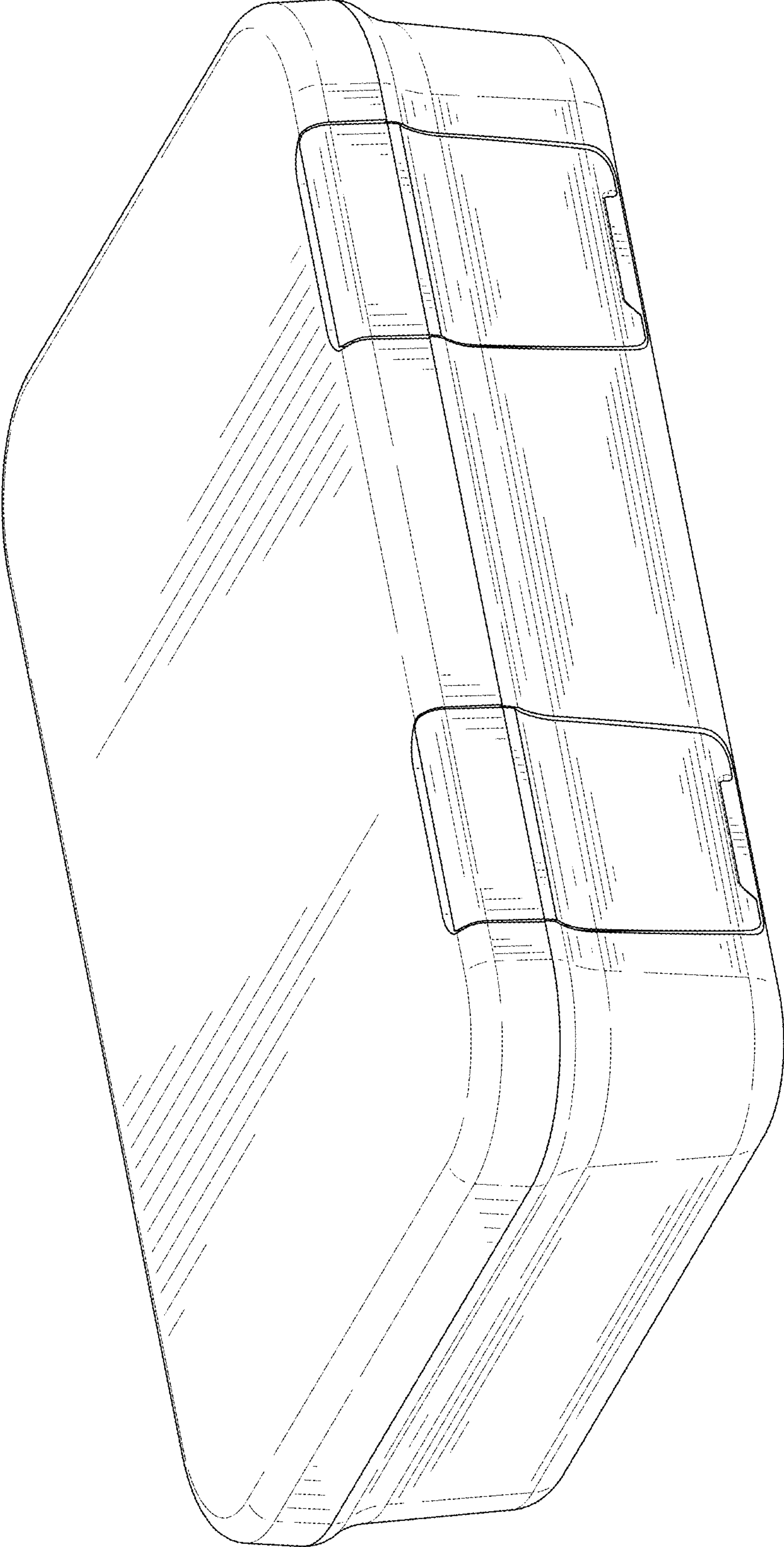


FIG. 1

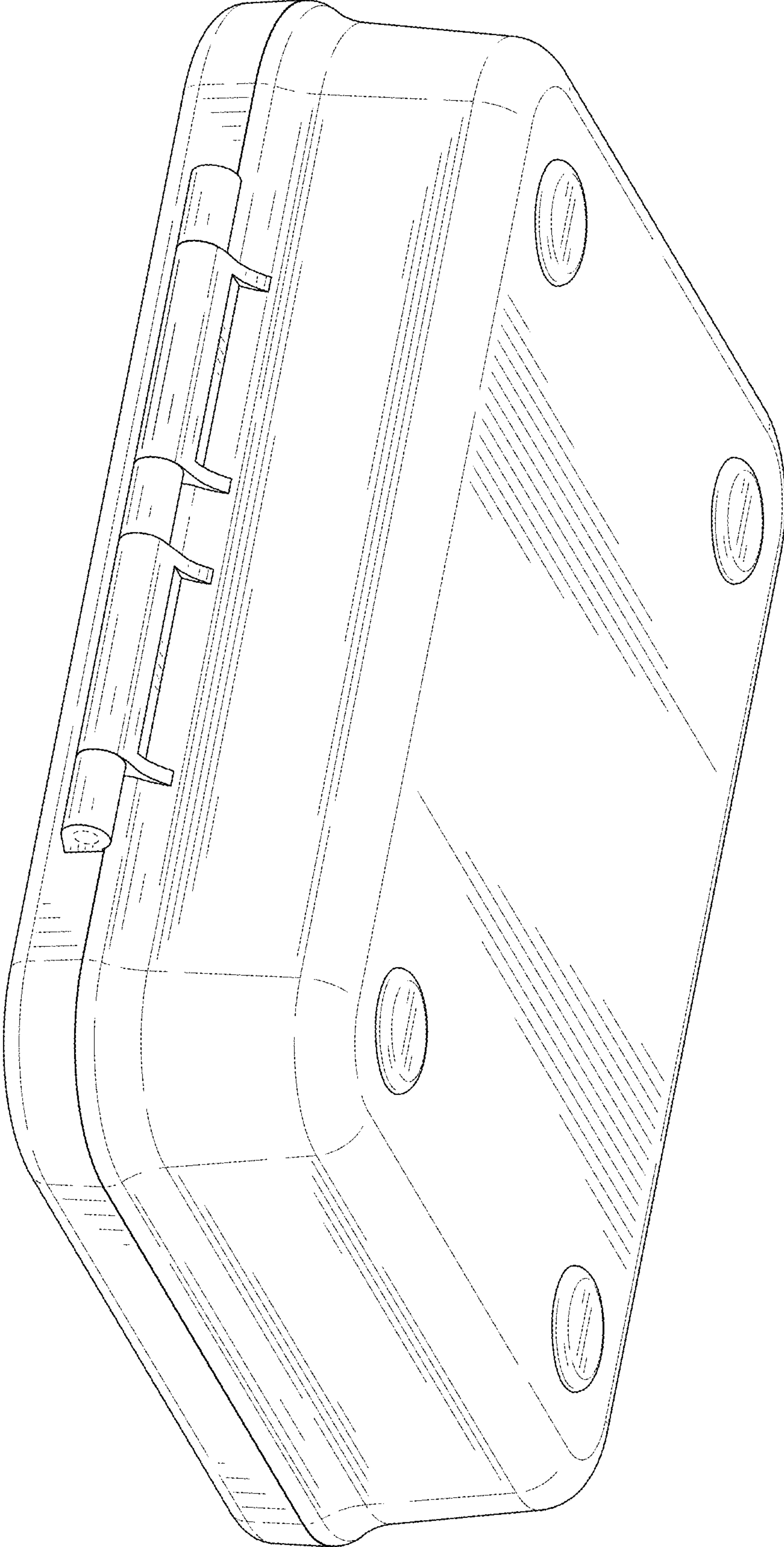


FIG. 2

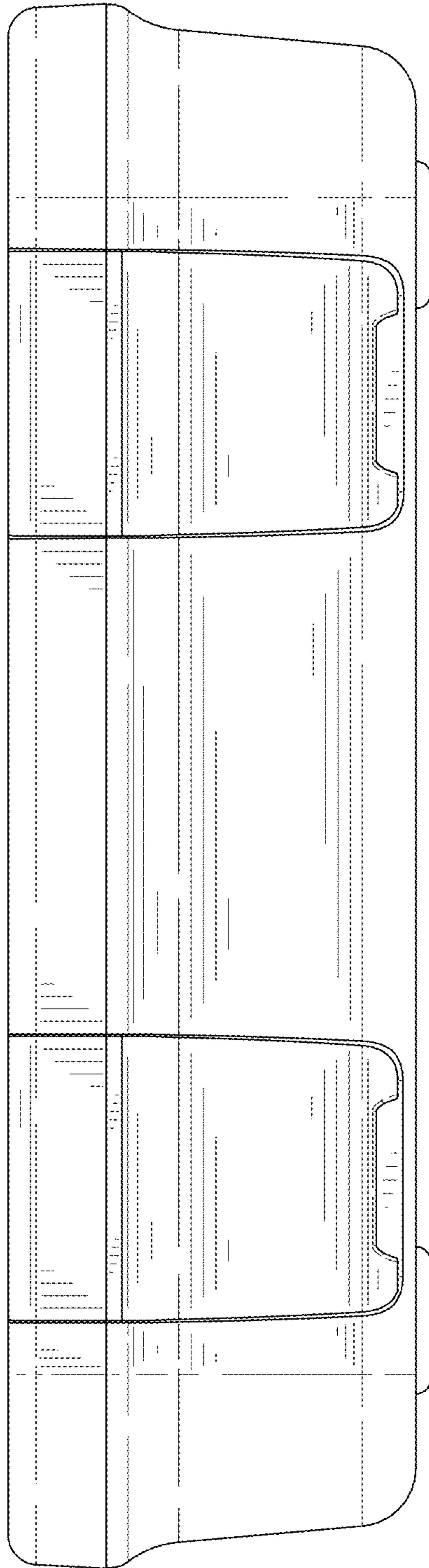


FIG. 3

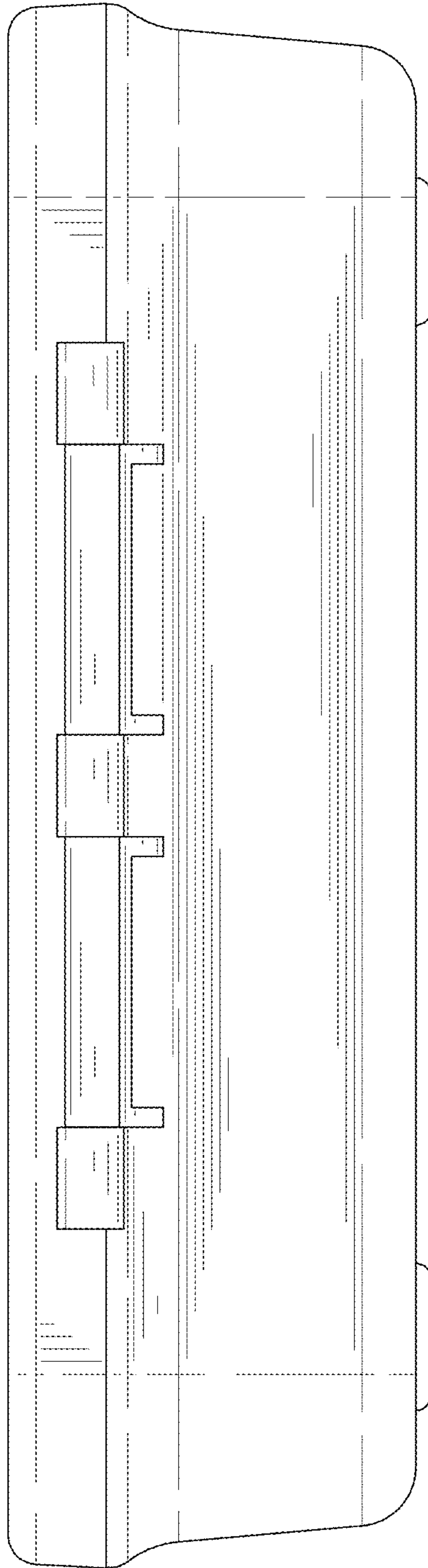


FIG. 4

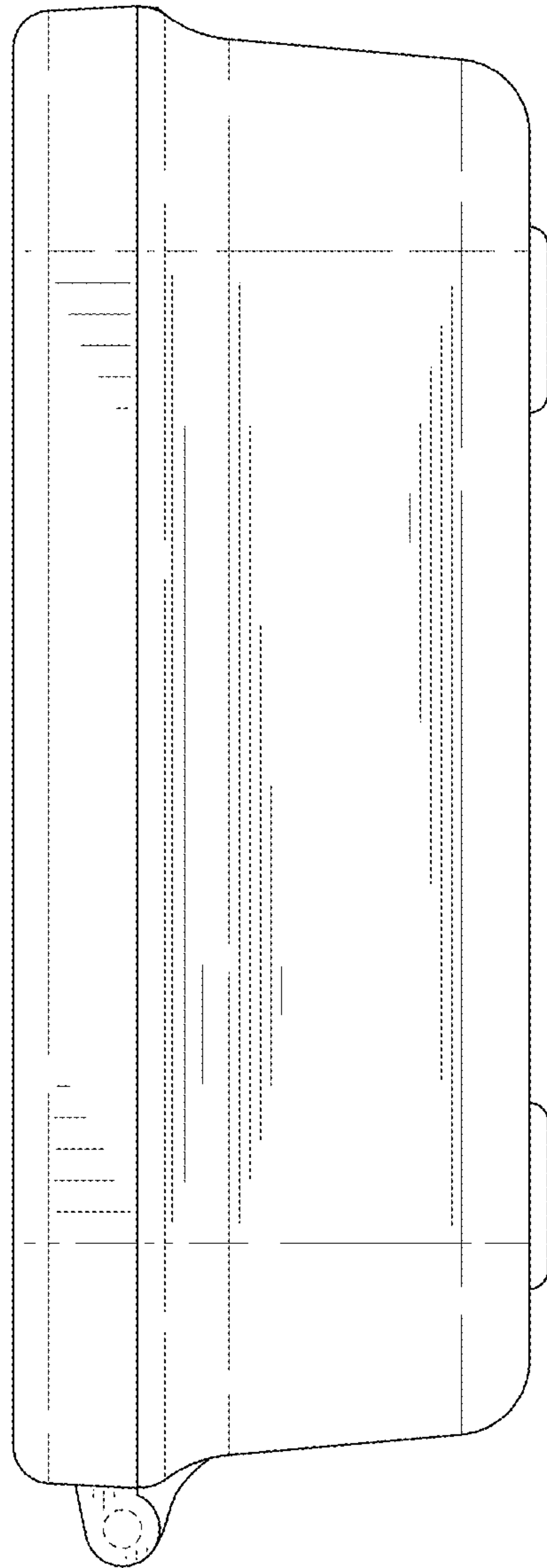


FIG. 5

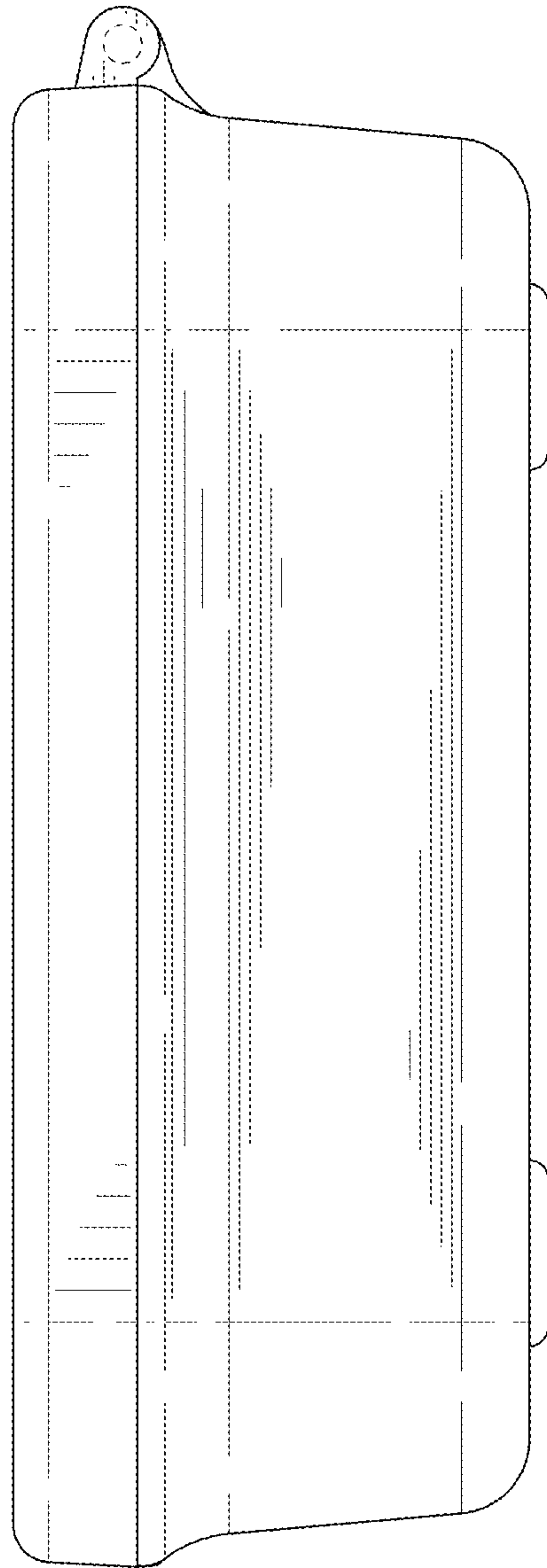


FIG. 6

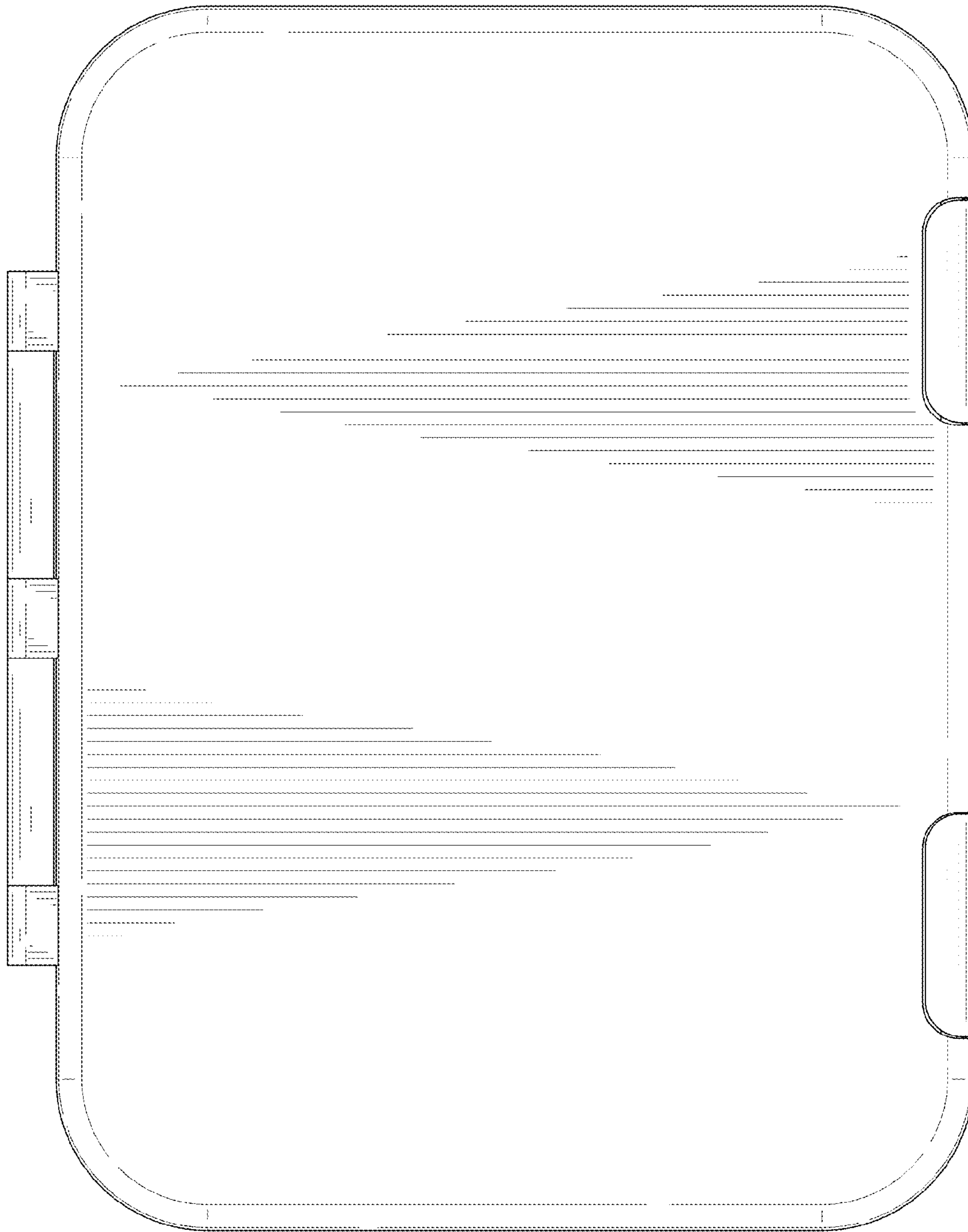


FIG. 7

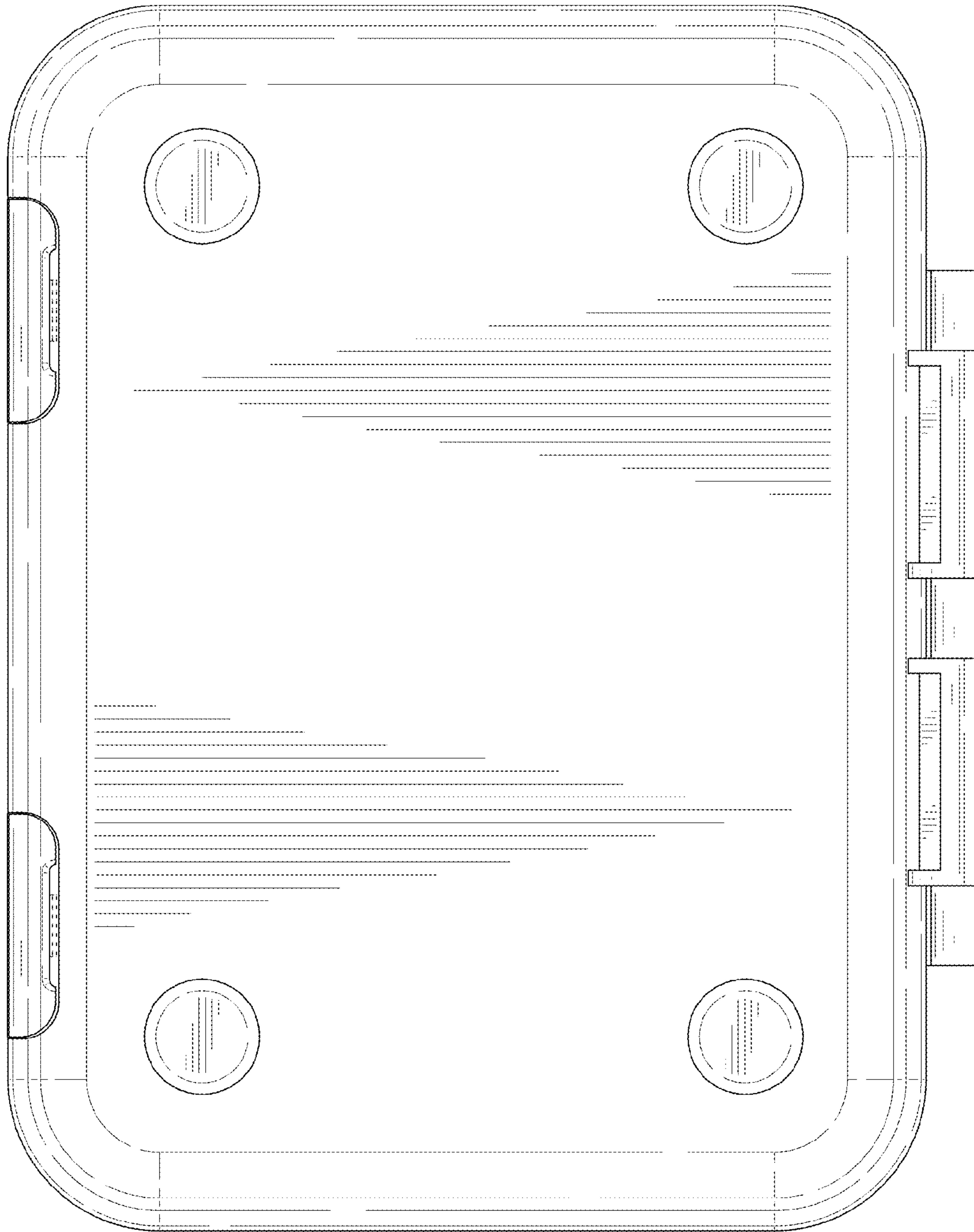


FIG. 8