



US00D977920S

(12) **United States Design Patent**
Wei

(10) **Patent No.:** **US D977,920 S**

(45) **Date of Patent:** **** Feb. 14, 2023**

(54) **VACUUM STORAGE CONTAINER**

(71) Applicant: **THANKHOT BIOTECHNOLOGY CO., LTD.**, Guangdong (CN)

(72) Inventor: **Honghua Wei**, Guangdong (CN)

(73) Assignee: **THANKHOT BIOTECHNOLOGY CO., LTD.**, Guangdong (CN)

(**) Term: **15 Years**

(21) Appl. No.: **29/780,866**

(22) Filed: **Apr. 27, 2021**

(30) **Foreign Application Priority Data**

Nov. 6, 2020 (CN) 202030669172.4

(51) **LOC (14) Cl.** **09-07**

(52) **U.S. Cl.**
USPC **D7/629**

(58) **Field of Classification Search**

USPC D7/602, 609, 629, 630, 701, 703, 391,
D7/392.1, 397; D9/416, 424, 425, 426,
D9/430, 432, 435, 761; D19/102, 106;
D3/201, 203.6, 273

CPC ... B65D 1/26; B65D 1/40; B65D 5/24; B65D
81/34; B65D 81/3453; B65D 2581/34;
B65D 2581/3437

See application file for complete search history.

(56) **References Cited**

U.S. PATENT DOCUMENTS

D526,857 S * 8/2006 Littmann D7/629
D544,762 S * 6/2007 Zimmerman D7/629

D660,092 S * 5/2012 Kyung D7/629
D700,482 S * 3/2014 Yessin D7/629
D803,631 S * 11/2017 Min D7/629
D830,791 S * 10/2018 Lee D7/629
D892,541 S * 8/2020 Evans D7/391
10,974,874 B2 * 4/2021 Ragias B65D 43/06
D932,255 S * 10/2021 Dinkheller D7/629
D959,925 S * 8/2022 Holmes D7/629
D962,013 S * 8/2022 Nam D7/629
D966,829 S * 10/2022 Holmes D7/629
2008/0203092 A1 * 8/2008 Stamper B65D 51/1644
220/203.01

* cited by examiner

Primary Examiner — Andrew Kerr

(74) *Attorney, Agent, or Firm* — Whiteford, Taylor & Preston, LLP; Peter J. Davis

(57) **CLAIM**

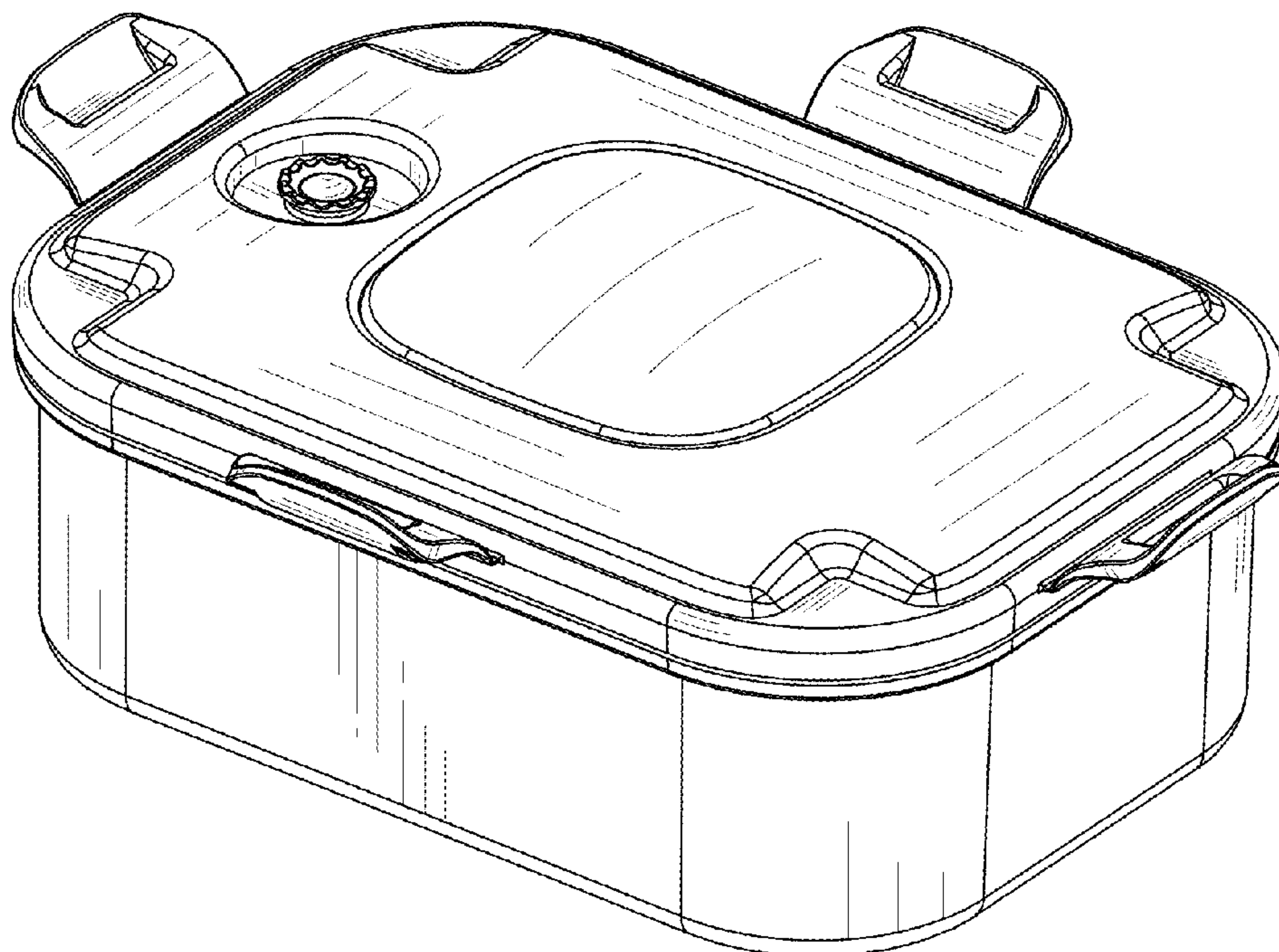
The ornamental design for a vacuum storage container, as shown and described.

DESCRIPTION

FIG. 1 is a top perspective view of a vacuum storage container according to the present disclosure; FIG. 2 is a bottom perspective view thereof; FIG. 3 is a front elevational view thereof; FIG. 4 is a rear elevational view thereof; FIG. 5 is a left-side elevational view thereof; FIG. 6 is a right-side elevational view thereof; FIG. 7 is a top plan view thereof; and, FIG. 8 is a bottom plan view thereof.

The broken lines shown in the drawings represent portions of the vacuum storage container and form no part of the claimed design.

1 Claim, 8 Drawing Sheets



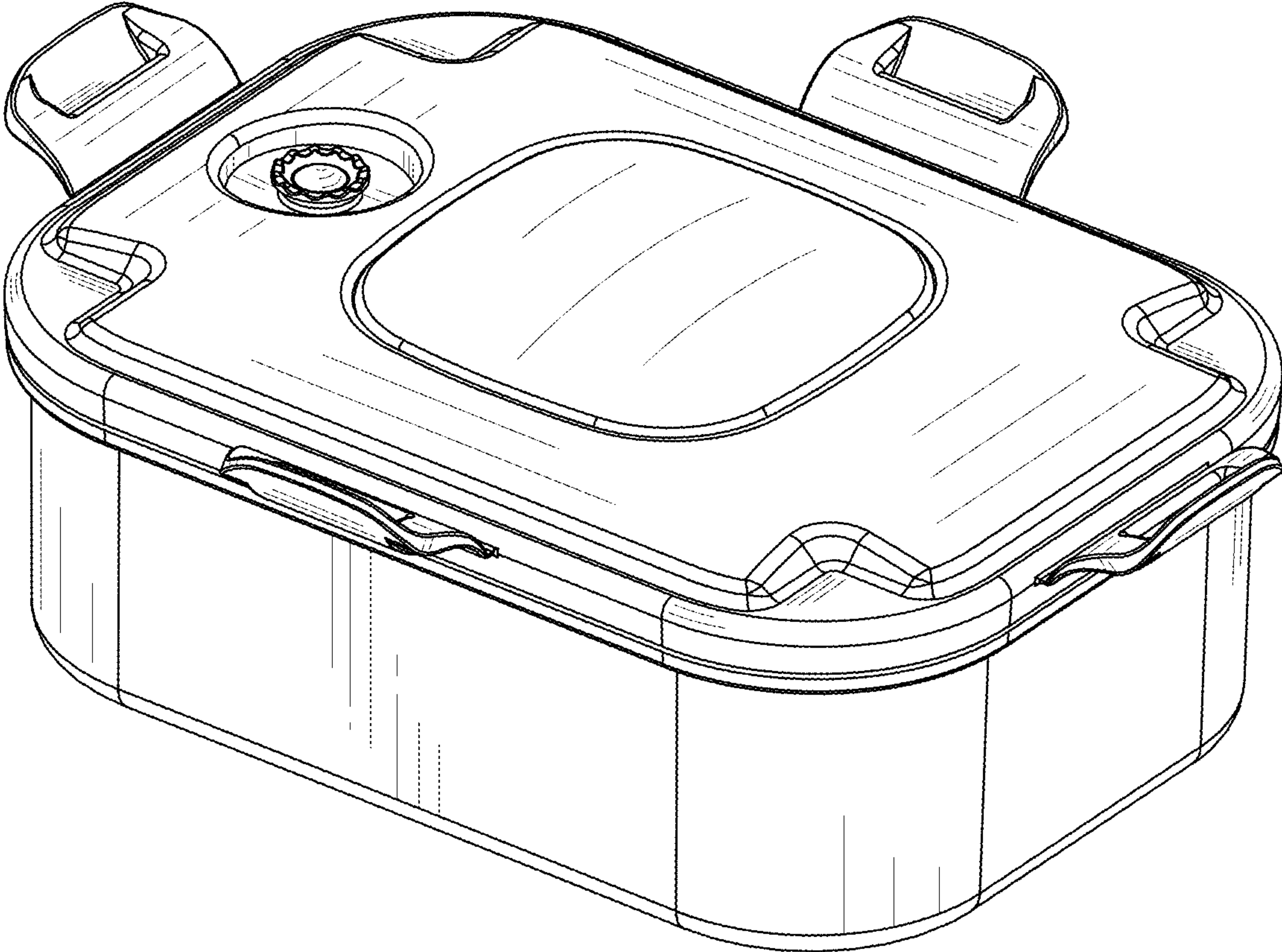


FIG. 1

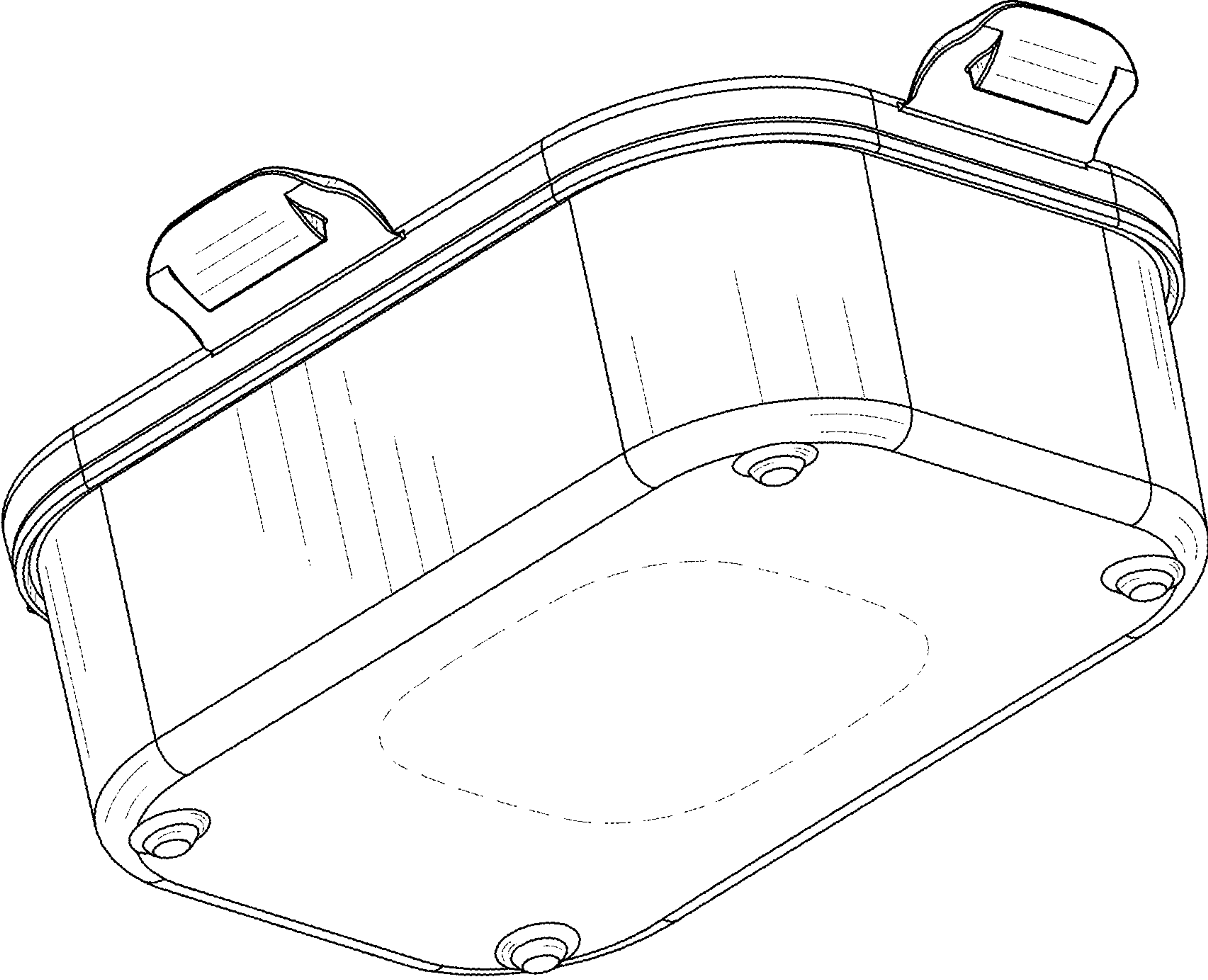


FIG.2

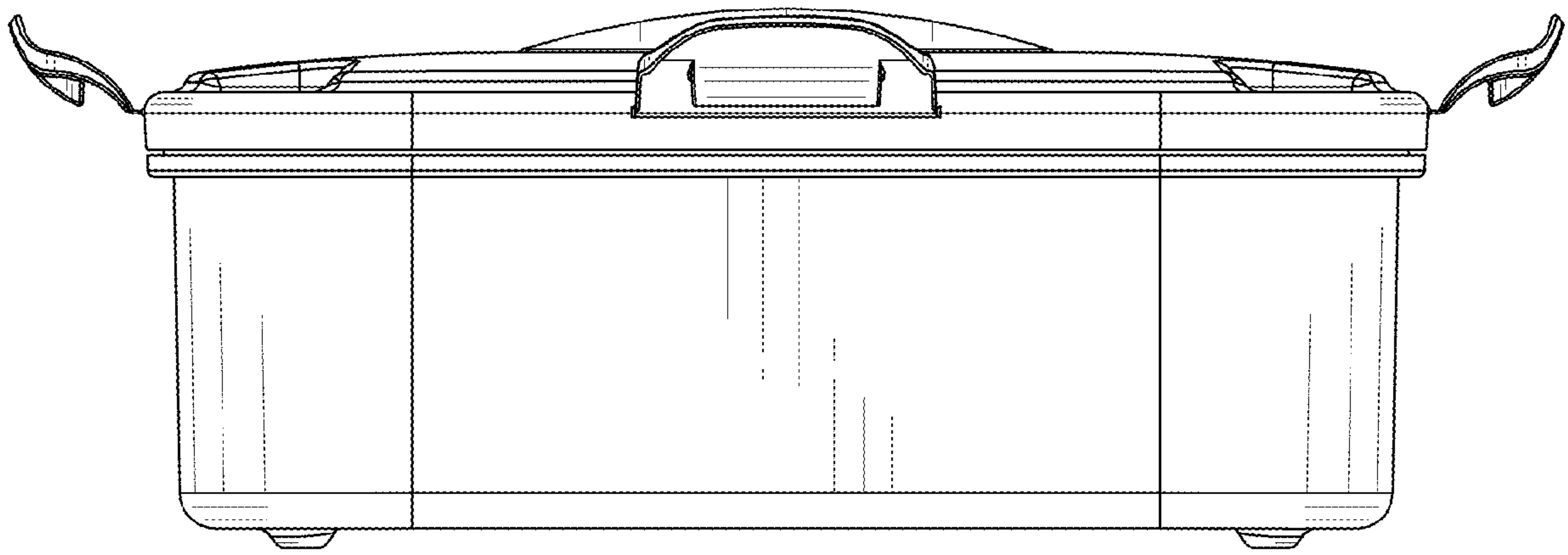


FIG.3

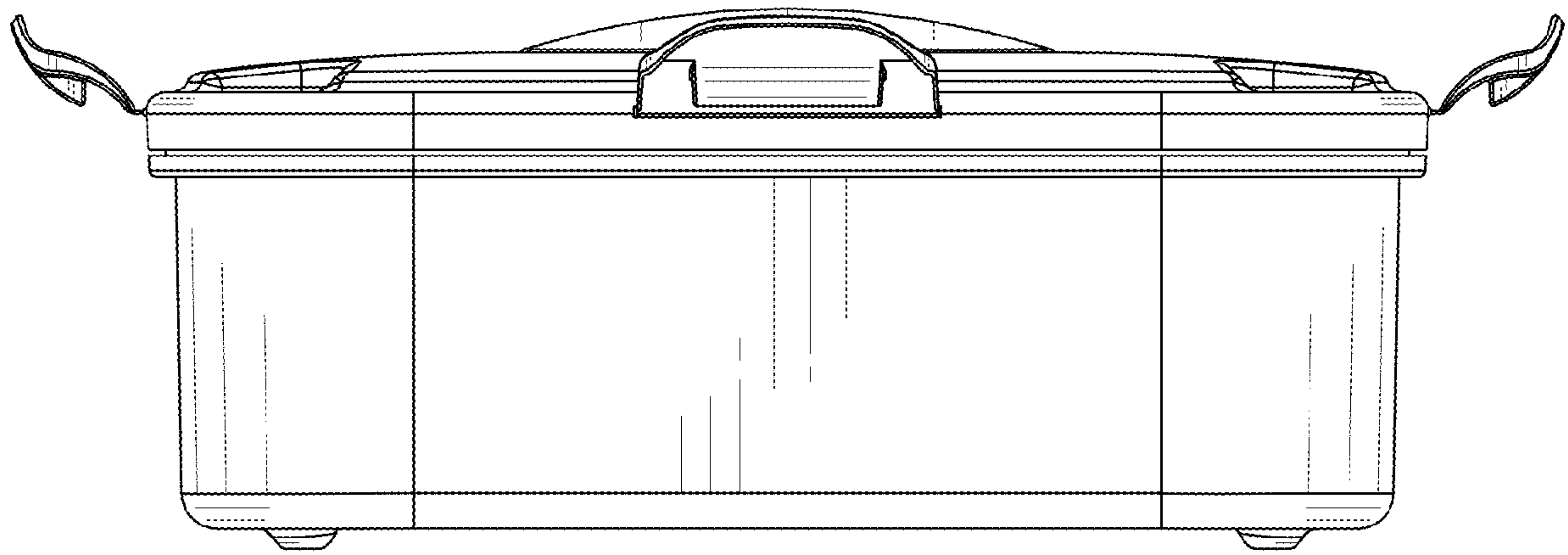


FIG.4

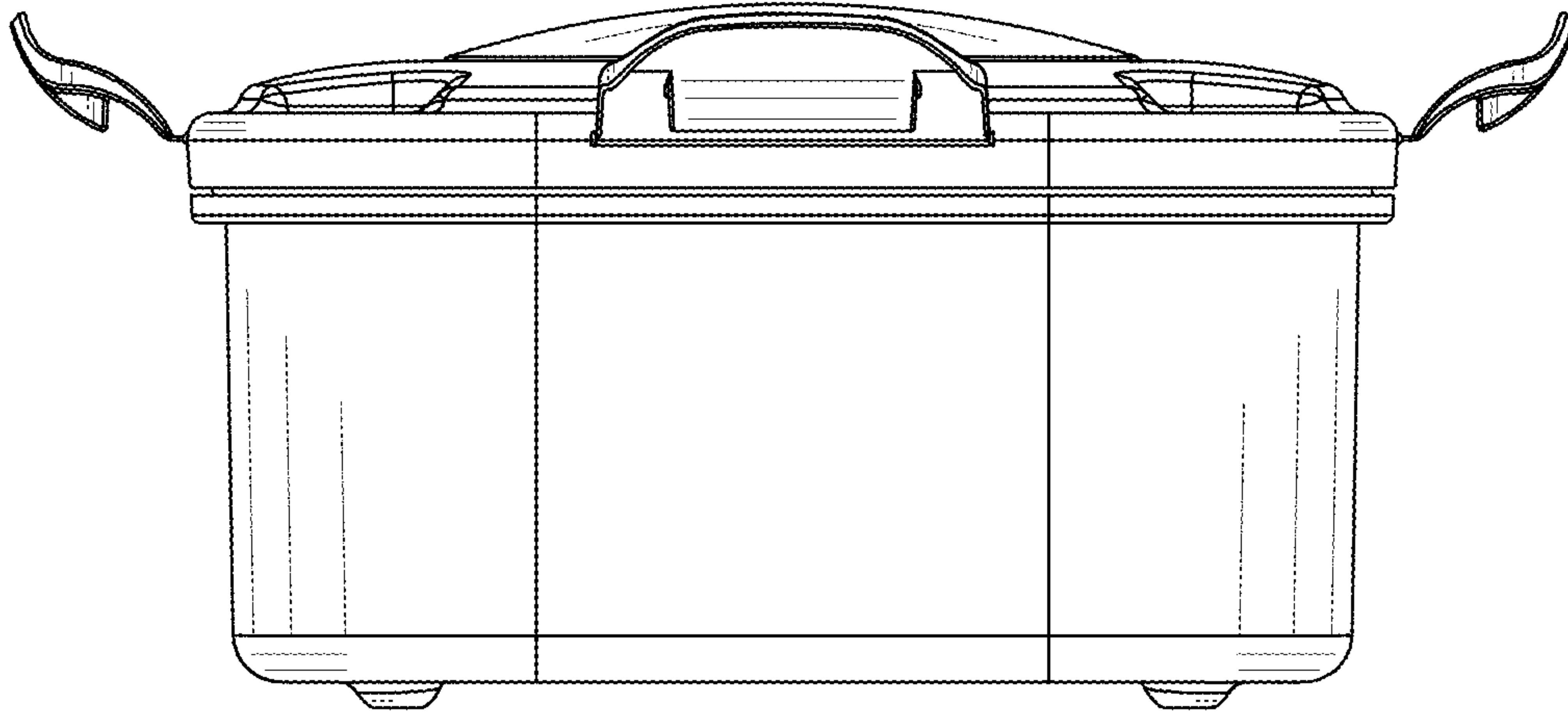


FIG.5

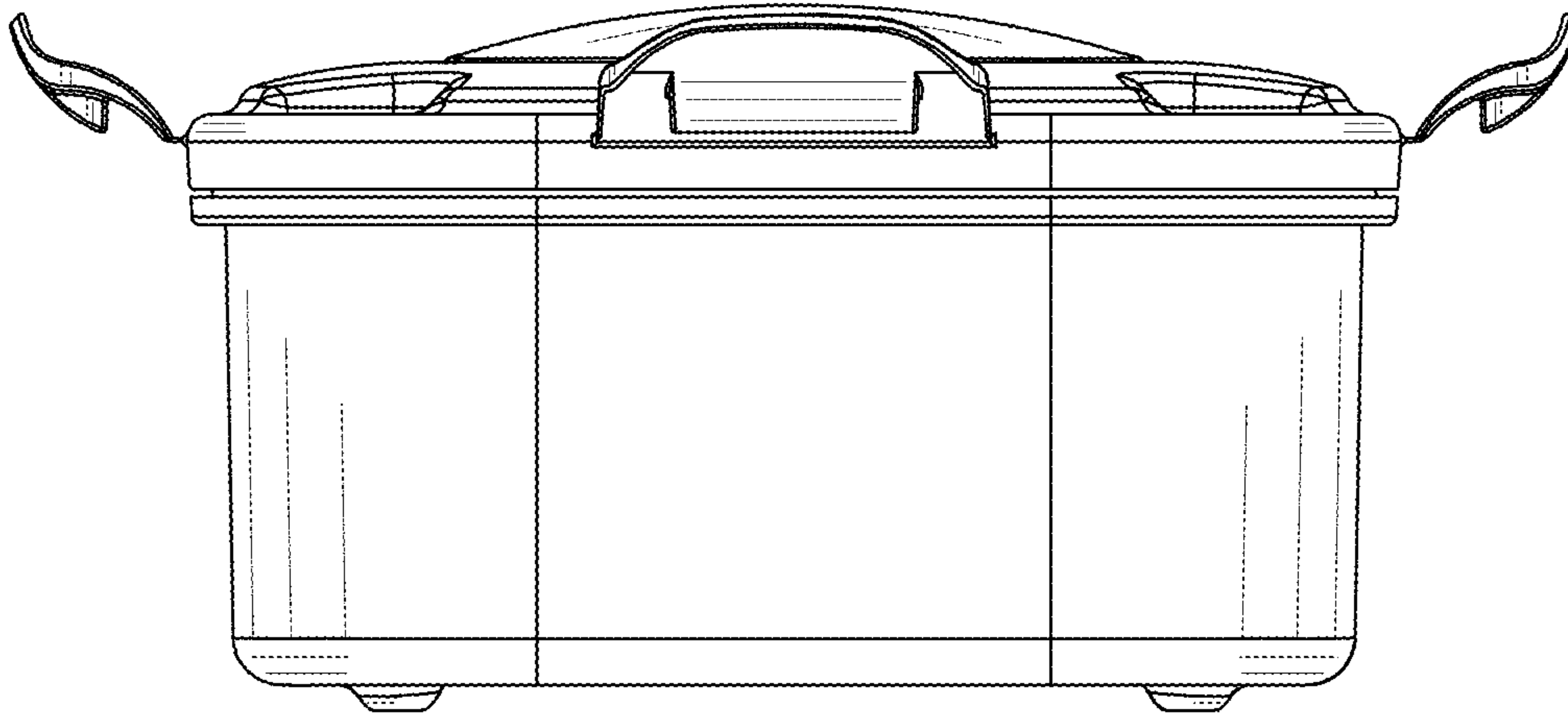


FIG.6

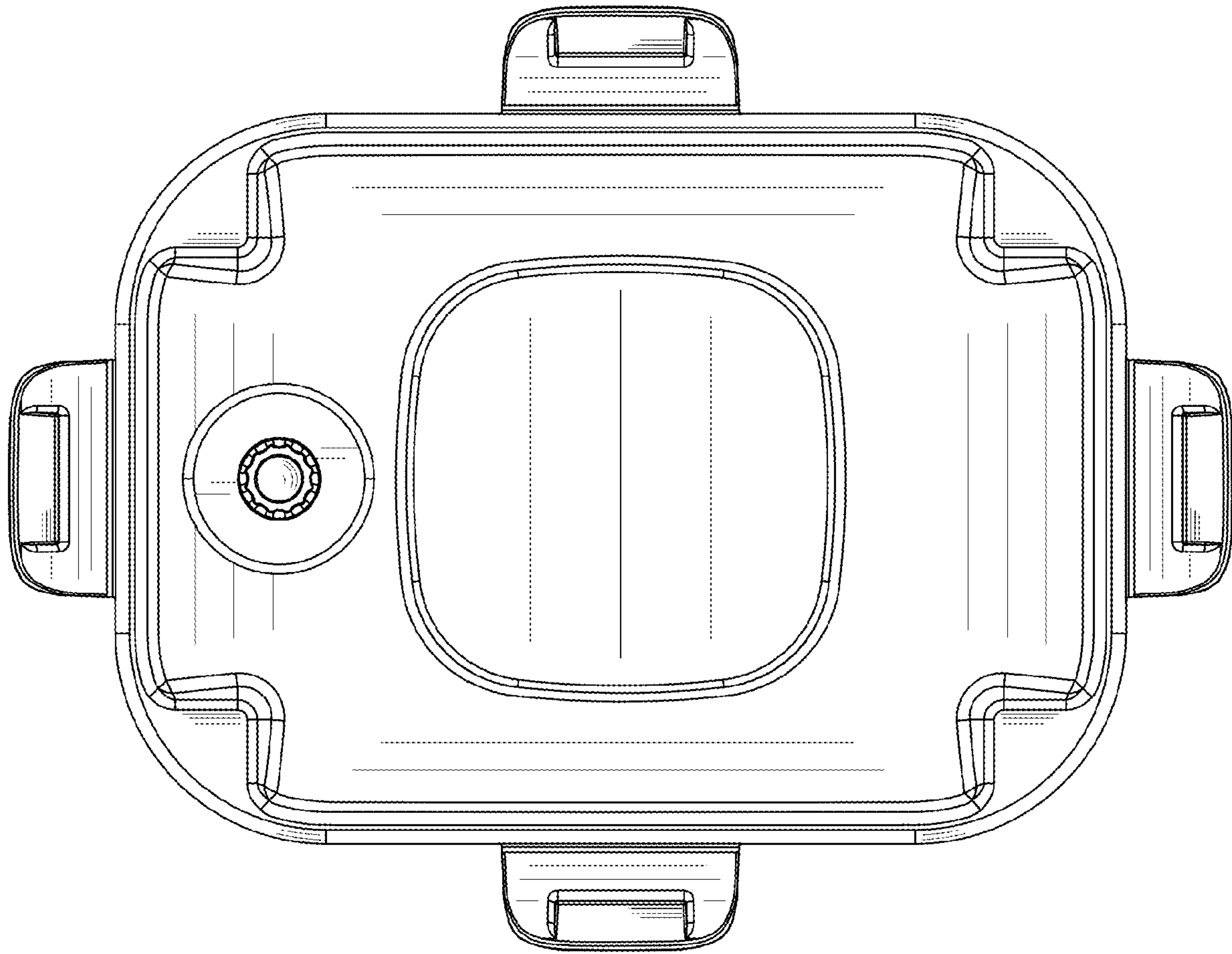


FIG. 7

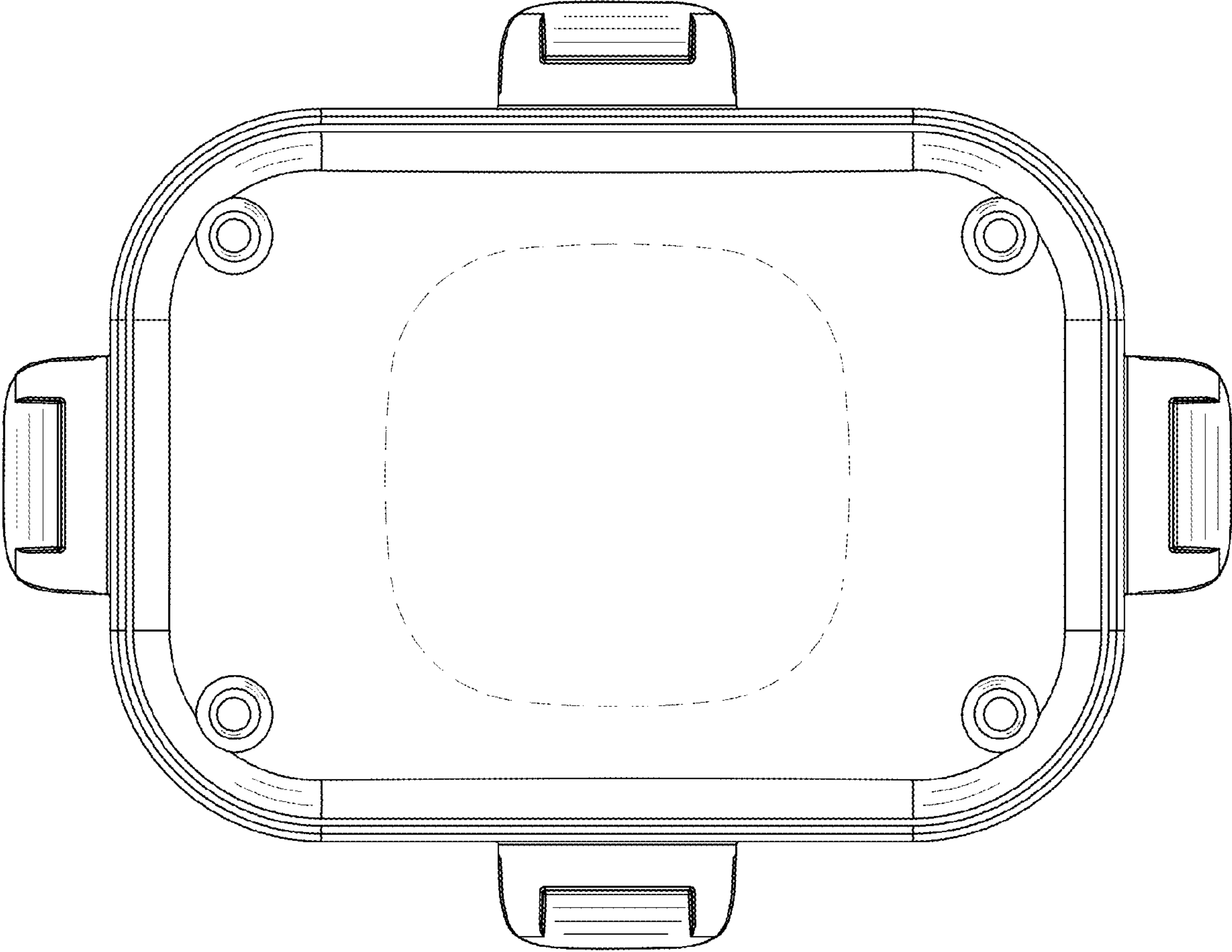


FIG.8