



US00D977919S

(12) **United States Design Patent** (10) **Patent No.:** **US D977,919 S**
Xu (45) **Date of Patent:** **** Feb. 14, 2023**

(54) **LUNCH BOX**
(71) Applicant: **DONGGUAN OUMENG HOUSEWARE PRODUCTS CO., LTD**, Guangdong (CN)
(72) Inventor: **Jingsheng Xu**, Hunan (CN)
(73) Assignee: **DONGGUAN OUMENG HOUSEWARE PRODUCTS CO., LTD**, Dongguan (CN)
(**) Term: **15 Years**
(21) Appl. No.: **29/757,349**
(22) Filed: **Nov. 5, 2020**
(51) **LOC (14) Cl.** **09-07**
(52) **U.S. Cl.**
USPC **D7/629; D7/703**
(58) **Field of Classification Search**
USPC D7/538, 549, 629, 601, 602, 709, 703, D7/590, 630, 554.1, 551.1, 553.1, 553.3, D7/553.5, 553.2, 701, 761, 541, 546; D9/761, 425, 432, 737, 759, 434
CPC A45C 11/20; B65D 45/16; B65D 25/02; B65D 43/0212; B65D 81/3446; B65D 1/36; B65D 1/24; B65D 77/2024; B65B 7/26; B65B 7/16
See application file for complete search history.

6,471,084 B2 * 10/2002 Erb B65D 77/2024 220/359.4
D484,364 S * 12/2003 Bailey D7/553.2
D494,857 S * 8/2004 Chen D9/759
D515,880 S * 2/2006 Lerner D7/629
D528,014 S * 9/2006 Cutts D9/761
D530,625 S * 10/2006 Darin D9/761
(Continued)

FOREIGN PATENT DOCUMENTS

EM 008254262-0001 * 11/2020
GB 9008254262-0001 * 11/2020

OTHER PUBLICATIONS

[PlanetBox Shuttle classic stainless steel bento lunch box with 2 compartments for adults and kids], available in Amazon.com date first available Apr. 22, 2022 [online], [site visited Oct. 19, 2022], Available from the internet URL: <https://www.amazon.com/dp/B00VW7I9YE/> (Year: 2022).*

(Continued)

Primary Examiner — Jae Liang
Assistant Examiner — Ji Sun Yoon

(57) **CLAIM**

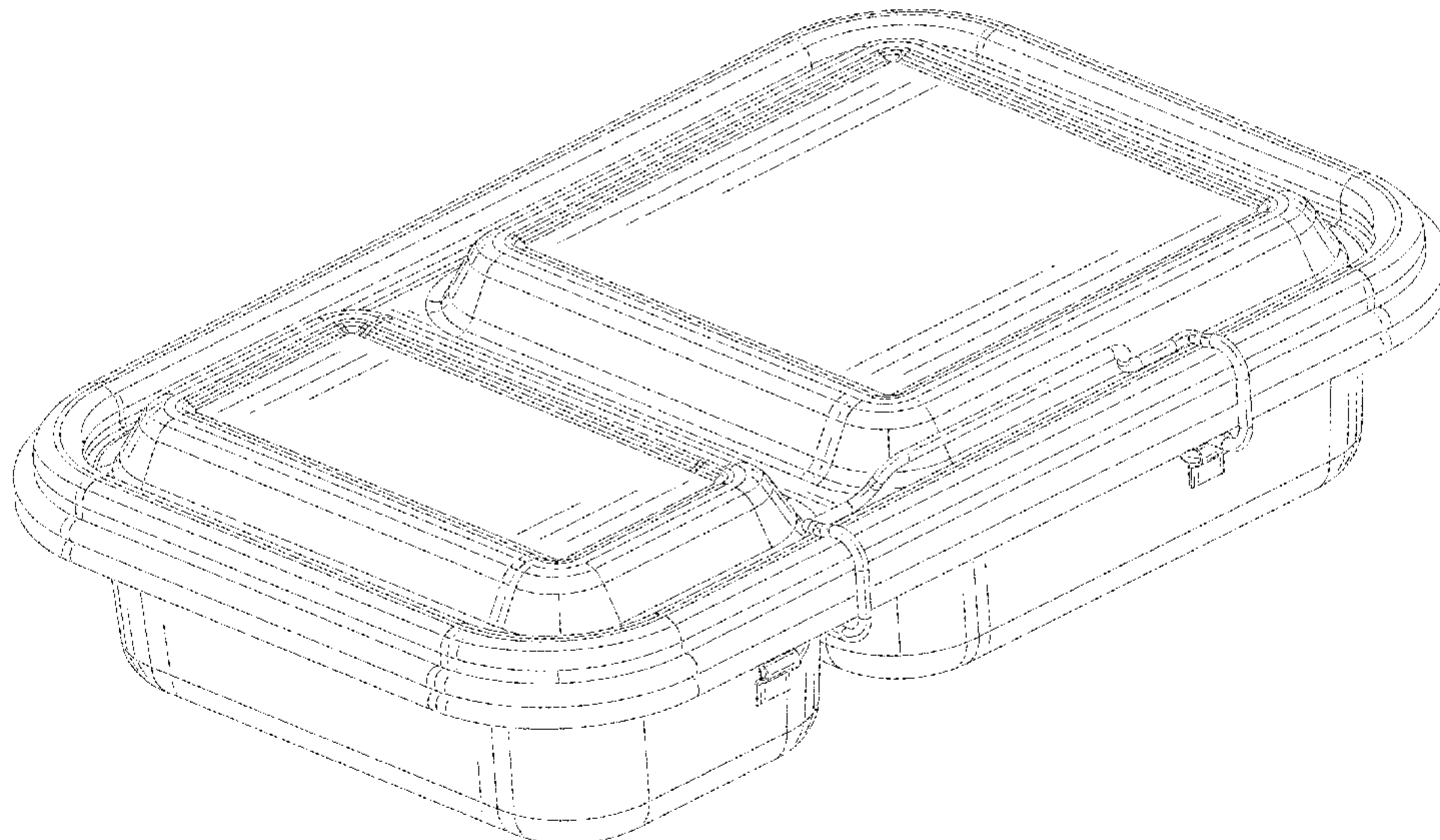
The ornamental design for a lunch box, as shown and described.

DESCRIPTION

FIG. 1 is a perspective view of a lunch box showing our new design;
FIG. 2 is another perspective view thereof;
FIG. 3 is a front view thereof;
FIG. 4 is a back view thereof;
FIG. 5 is an enlarged left view thereof;
FIG. 6 is an enlarged right view thereof;
FIG. 7 is a top view thereof; and,
FIG. 8 is a bottom view thereof.

1 Claim, 8 Drawing Sheets

(56) **References Cited**
U.S. PATENT DOCUMENTS
D283,666 S * 5/1986 Holzkopf D9/425
D352,203 S * 11/1994 Campbell D7/546
D372,170 S * 7/1996 Ahern, Jr. D7/553.3
D378,726 S * 4/1997 Dunn D7/553.3
5,671,846 A * 9/1997 Frank A45C 11/20 206/541
D395,985 S * 7/1998 Krupa D7/541
D440,118 S * 4/2001 Claffy D7/553.1
D451,769 S * 12/2001 Stanos D7/629



(56)

References Cited

U.S. PATENT DOCUMENTS

7,114,630 B2 * 10/2006 Dege B65D 43/0212
 220/523
 D539,666 S * 4/2007 Chou D9/425
 D552,487 S * 10/2007 Chou D9/761
 D578,387 S * 10/2008 Lovett D9/737
 D596,499 S * 7/2009 Willis D9/425
 D616,258 S * 5/2010 Miros D7/629
 D625,994 S * 10/2010 Krupa D9/761
 D633,341 S * 3/2011 Smyers D9/425
 D649,838 S * 12/2011 Stamper D7/602
 D655,988 S * 3/2012 Miros D7/629
 D659,023 S * 5/2012 Hsu D9/737
 D665,676 S * 8/2012 Wu D9/761
 D666,058 S * 8/2012 Liang D7/541
 8,328,034 B2 * 12/2012 Miros B65B 7/16
 220/23.88
 D688,921 S * 9/2013 Miros D7/629
 D691,901 S * 10/2013 Epstein D9/425
 D696,910 S * 1/2014 Franczyk D7/629
 D733,962 S * 7/2015 Sunder D9/425
 D769,080 S * 10/2016 Wiggins D7/629
 D778,155 S * 2/2017 Strachan D9/432
 9,629,432 B2 * 4/2017 Edwards B65D 25/02
 10,005,573 B2 * 6/2018 Miros B65B 7/26
 D830,796 S * 10/2018 Chen D7/703
 D881,720 S * 4/2020 Quada D9/434

D891,918 S * 8/2020 Chen D9/425
 D900,640 S * 11/2020 Huang D9/425
 D905,572 S * 12/2020 Flanagan D9/425
 D905,573 S * 12/2020 Flanagan D9/425
 D905,574 S * 12/2020 Flanagan D7/703
 D926,028 S * 7/2021 Huang D9/425
 D960,663 S * 8/2022 Chung D9/761
 D963,436 S * 9/2022 Chen D7/703
 D966,112 S * 10/2022 Marino D9/425
 2002/0108955 A1 * 8/2002 Erb B65D 77/2024
 220/359.4
 2004/0031799 A1 * 2/2004 Dege B65D 1/36
 220/523
 2005/0205570 A1 * 9/2005 Ramirez B65D 1/24
 220/4.21
 2010/0308039 A1 * 12/2010 Miros B65D 45/16
 220/553
 2020/0087024 A1 * 3/2020 Davis B65D 81/3446

OTHER PUBLICATIONS

[AOHEA Stainless Steel Bento Lunch Box for Kids], available in Amazon.com, date first available May 10, 2022 [online], [site visited Oct. 19, 2022], Available from the internet URL: <https://www.amazon.com/AOHEA-Stainless-Steel-Bento-Lunch/dp/B09ZX1LX9K?th=1> (Year: 2022).*

* cited by examiner

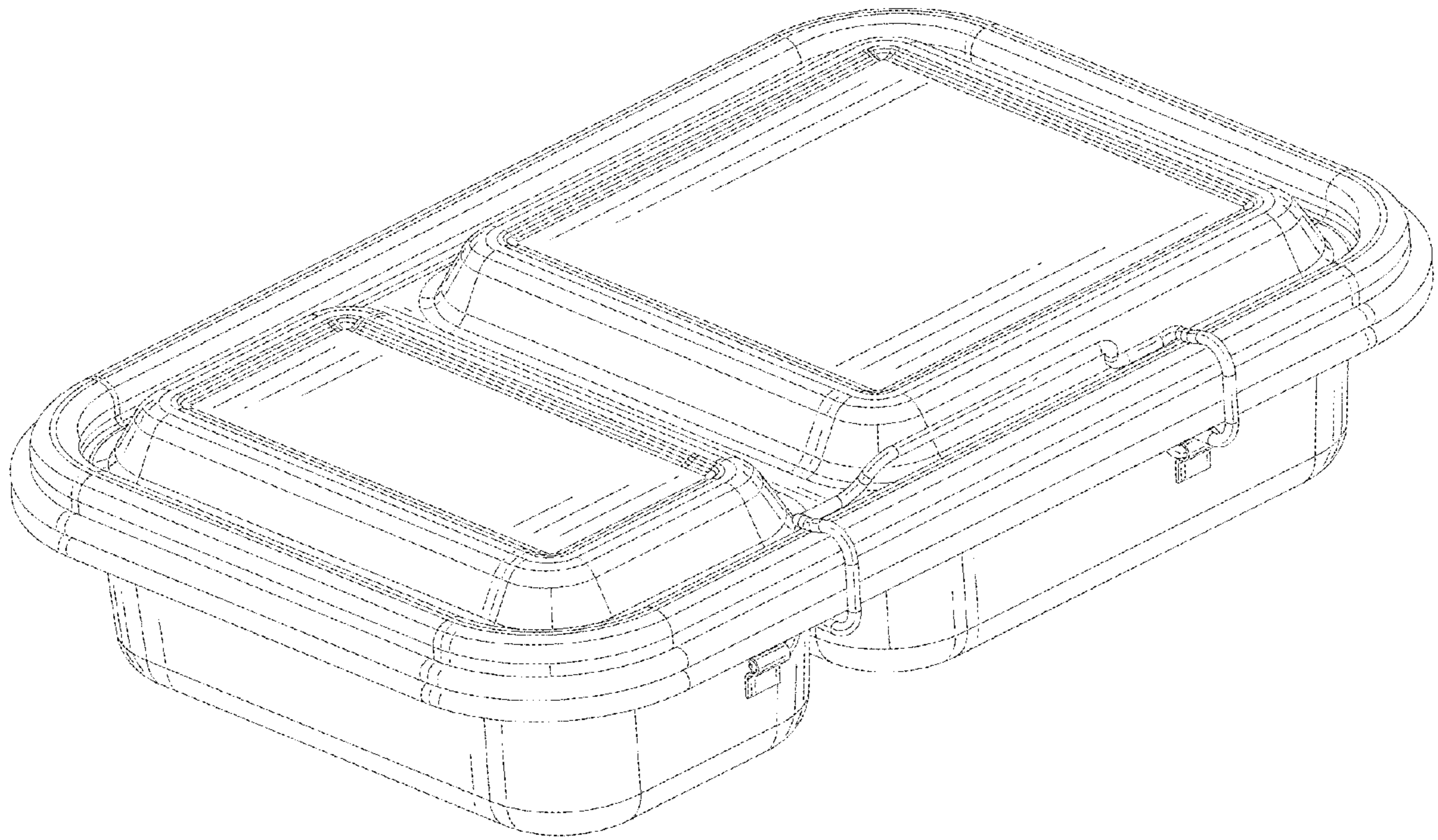


FIG. 1



FIG. 2

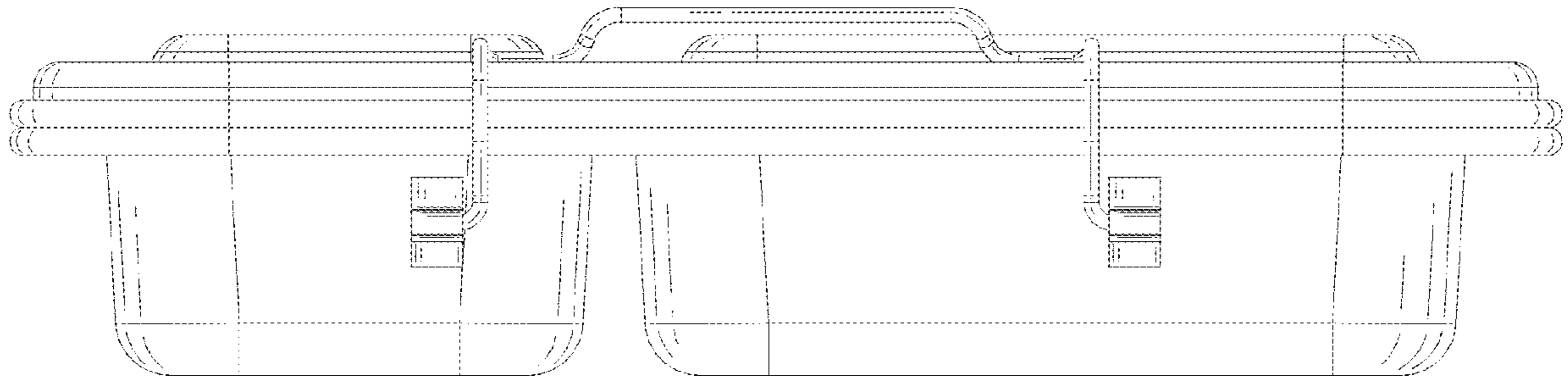


FIG. 3

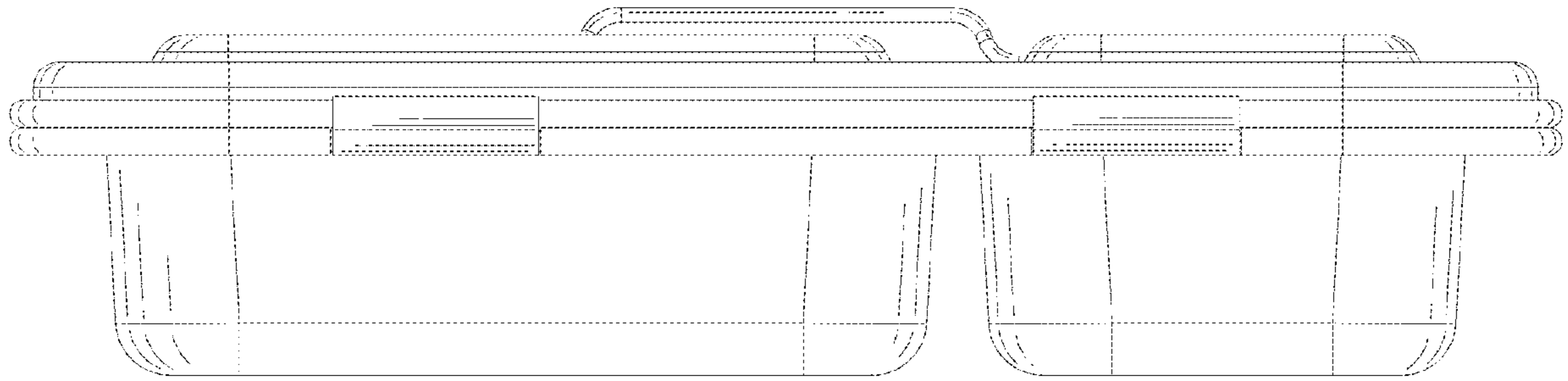


FIG. 4

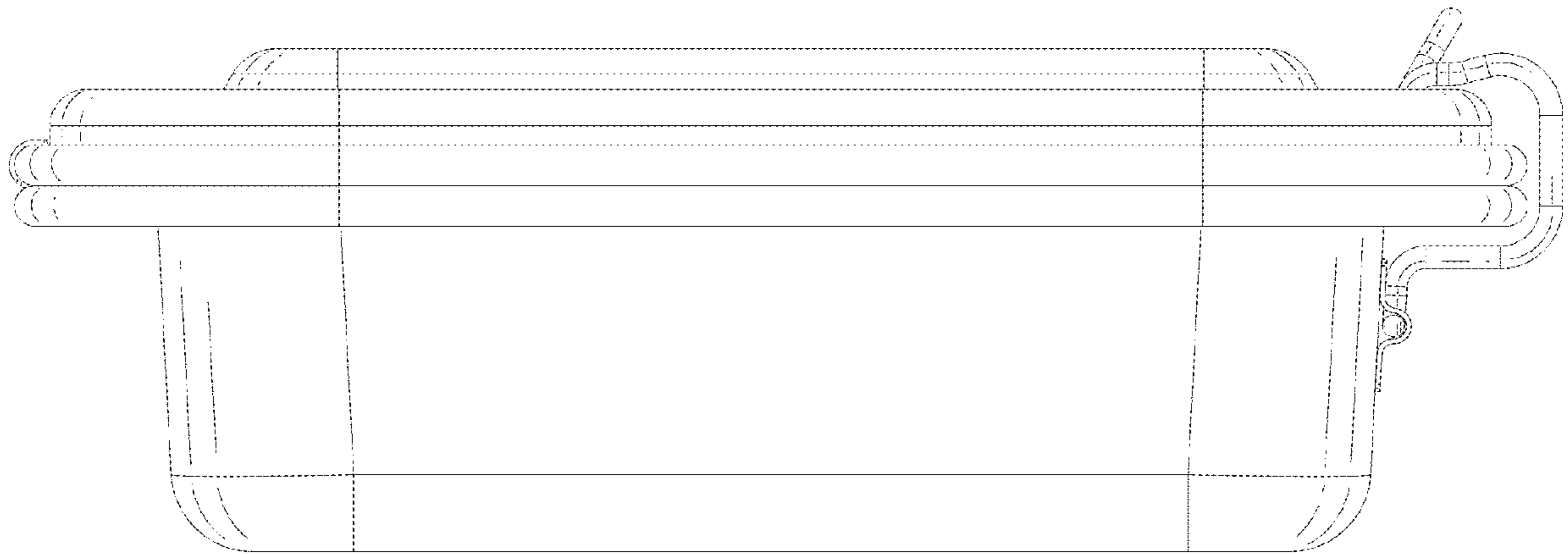


FIG. 5

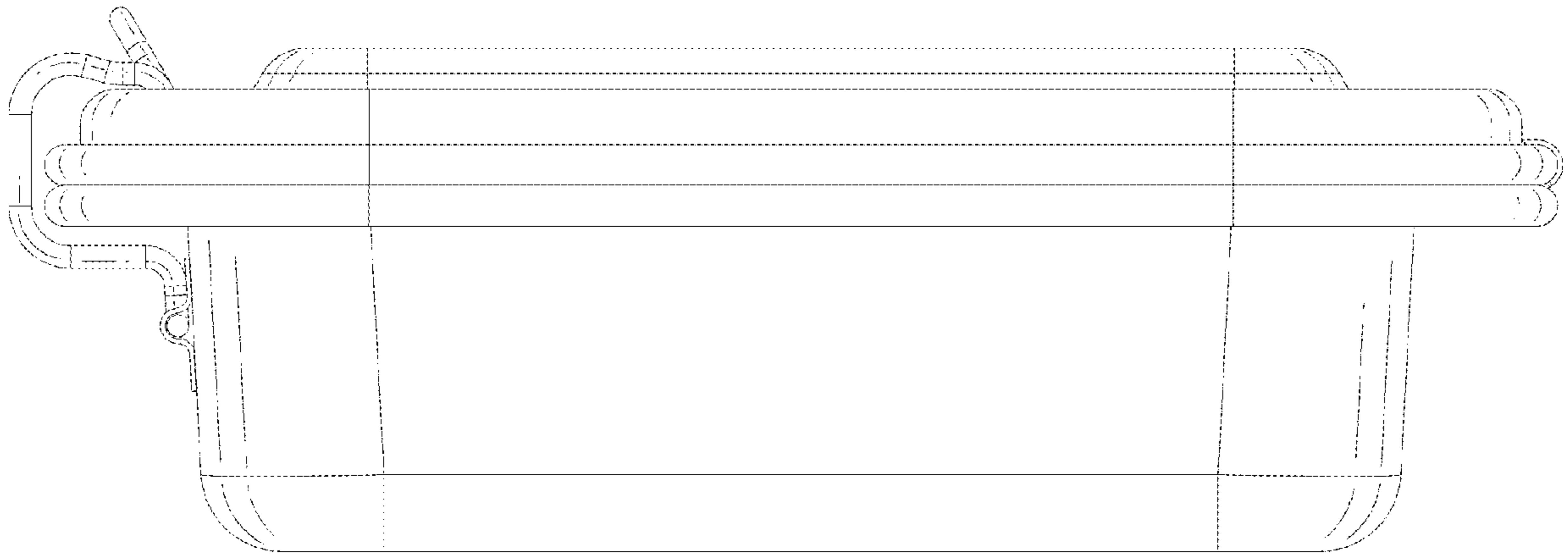


FIG. 6

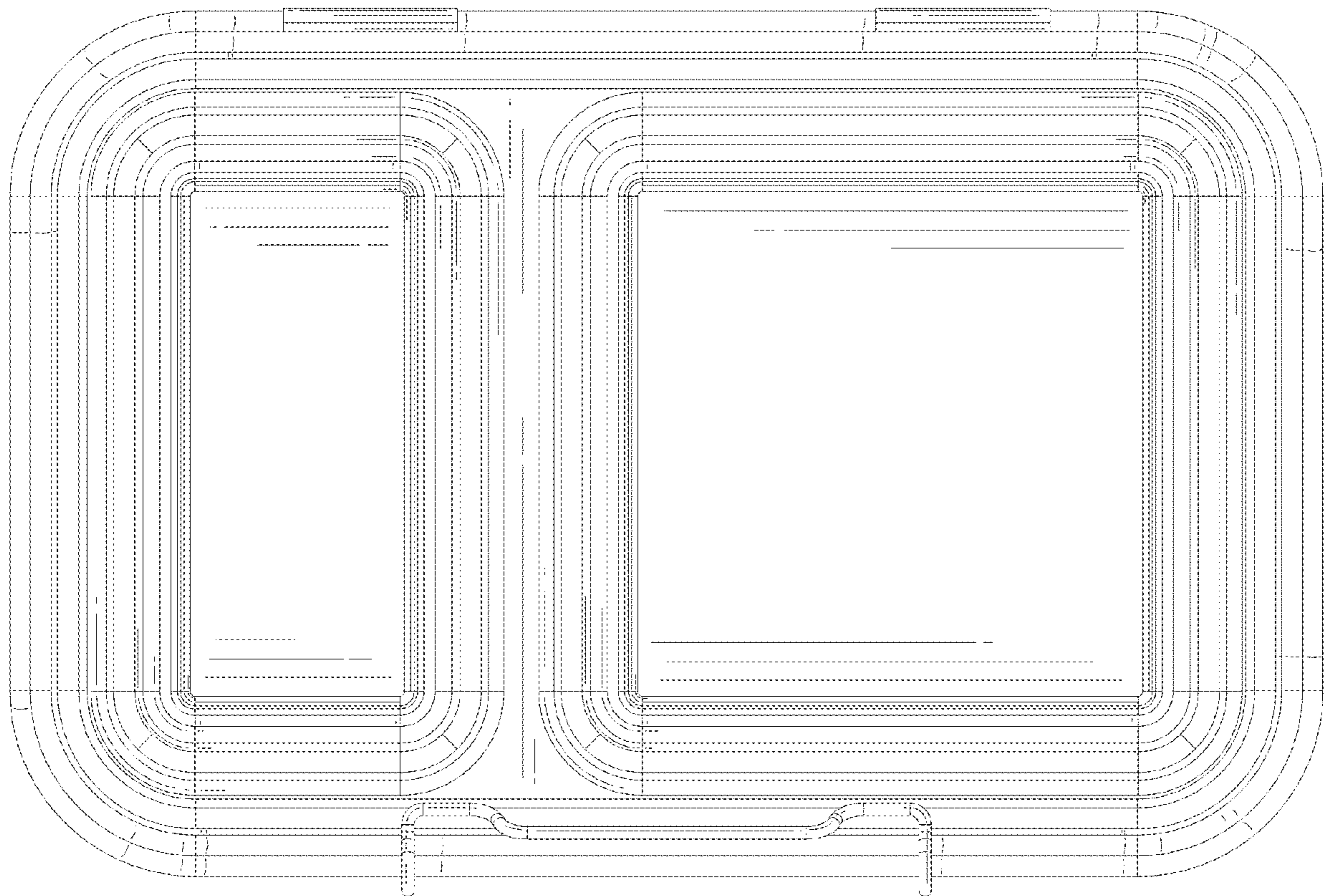


FIG. 7

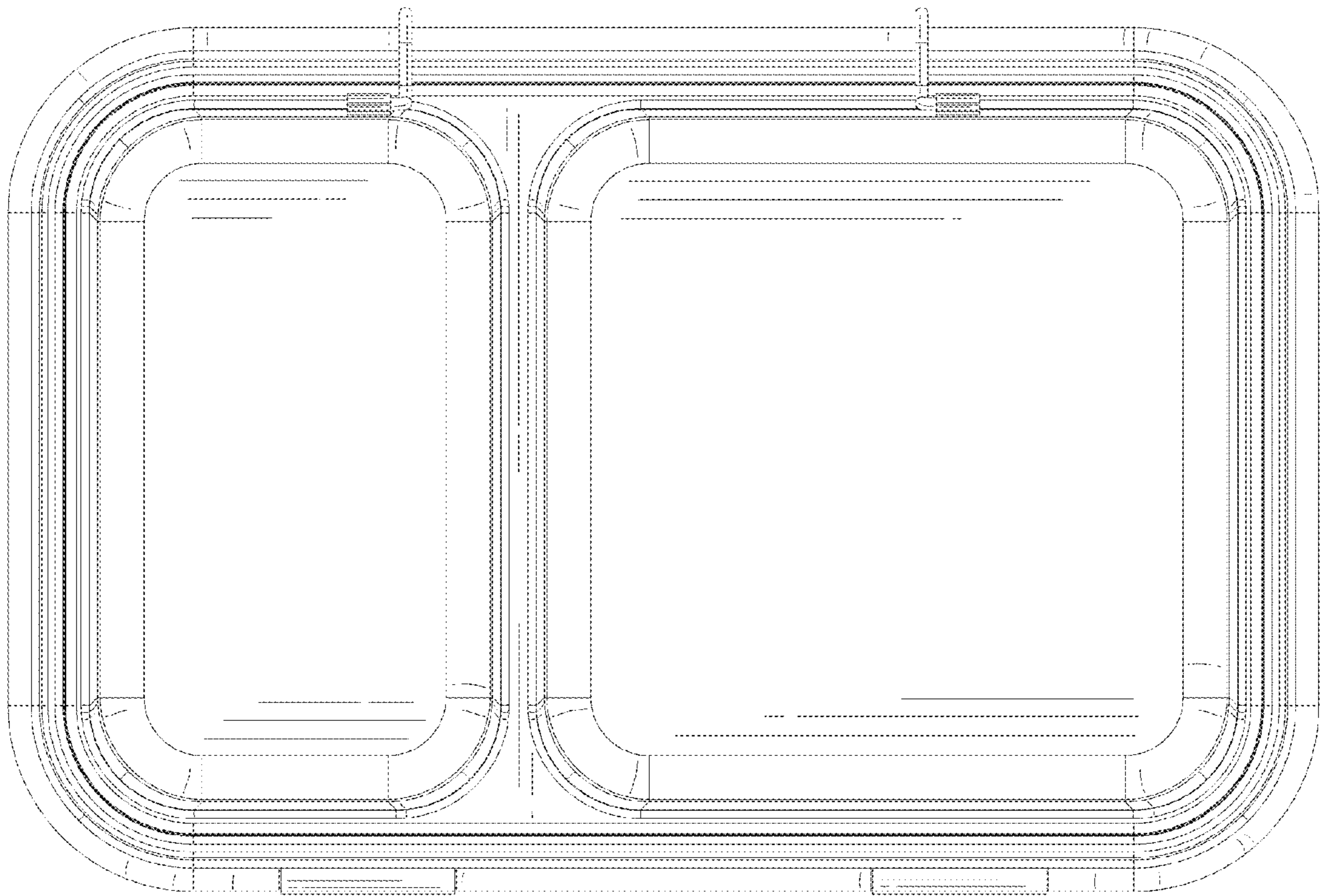


FIG. 8