



US00D977918S

(12) **United States Design Patent** (10) **Patent No.:** **US D977,918 S**
Xu (45) **Date of Patent:** **** Feb. 14, 2023**

(54) **LUNCH BOX**

(71) Applicant: **Dongguan Oumeng Houseware Products Co., Ltd, Guangdong (CN)**

(72) Inventor: **Jingsheng Xu, Hunan (CN)**

(73) Assignee: **DONGGUAN OUMENG HOUSEWARE PRODUCTS CO., LTD, Dongguan (CN)**

(**) Term: **15 Years**

(21) Appl. No.: **29/740,605**

(22) Filed: **Jul. 6, 2020**

(51) **LOC (14) Cl.** **07-02**

(52) **U.S. Cl.**
USPC **D7/629; D7/703; D3/201**

(58) **Field of Classification Search**
USPC D3/201, 203.1, 203.2, 203.3; D7/538, D7/549, 629, 601, 602, 709, 703, 590, D7/630, 554.1; D9/420, 425, 429; D99/28
CPC A45C 11/20; A45C 13/02; A47J 47/14; B65D 25/06
See application file for complete search history.

(56) **References Cited**

U.S. PATENT DOCUMENTS

D309,981 S *	8/1990	French	206/823
D367,211 S *	2/1996	Cautereels	D7/629
D472,774 S *	4/2003	Pelstring	D7/629
D525,488 S *	7/2006	McWhorter	D7/590
D566,484 S *	4/2008	George	D7/629
D571,617 S *	6/2008	Di Serio	D7/629
D801,754 S *	11/2017	Neumann	A45C 11/20 D7/629
D814,885 S *	4/2018	Casey	D7/629
D874,262 S *	2/2020	Lindsay	D9/420
D878,876 S *	3/2020	Dalton	D7/629
D880,957 S *	4/2020	Xu	D7/629

D882,359 S *	4/2020	Xu	D7/709
D883,754 S *	5/2020	Xu	D7/629
D892,564 S *	8/2020	Xu	D7/602
10,730,665 B2 *	8/2020	Liu	A47J 47/14
D899,200 S *	10/2020	Xu	D7/629
D911,117 S *	2/2021	Xu	D7/602
D911,119 S *	2/2021	Zhong	D7/629

(Continued)

FOREIGN PATENT DOCUMENTS

EM	008032312-0001	*	7/2020
GB	9008032312-0001	*	7/2020

OTHER PUBLICATIONS

[Simple Modern Bento Lunch Box for Kids], available in Amazon.com, date first available Mar. 27, 2020 [online], [site visited Oct. 18, 2022], Available from the internet URL: <https://www.amazon.com/Simple-Modern-Porter-Bento-Lunch/dp/B083P76YWF/> (Year: 2020).*

(Continued)

Primary Examiner — Jae Liang
Assistant Examiner — Ji Sun Yoon

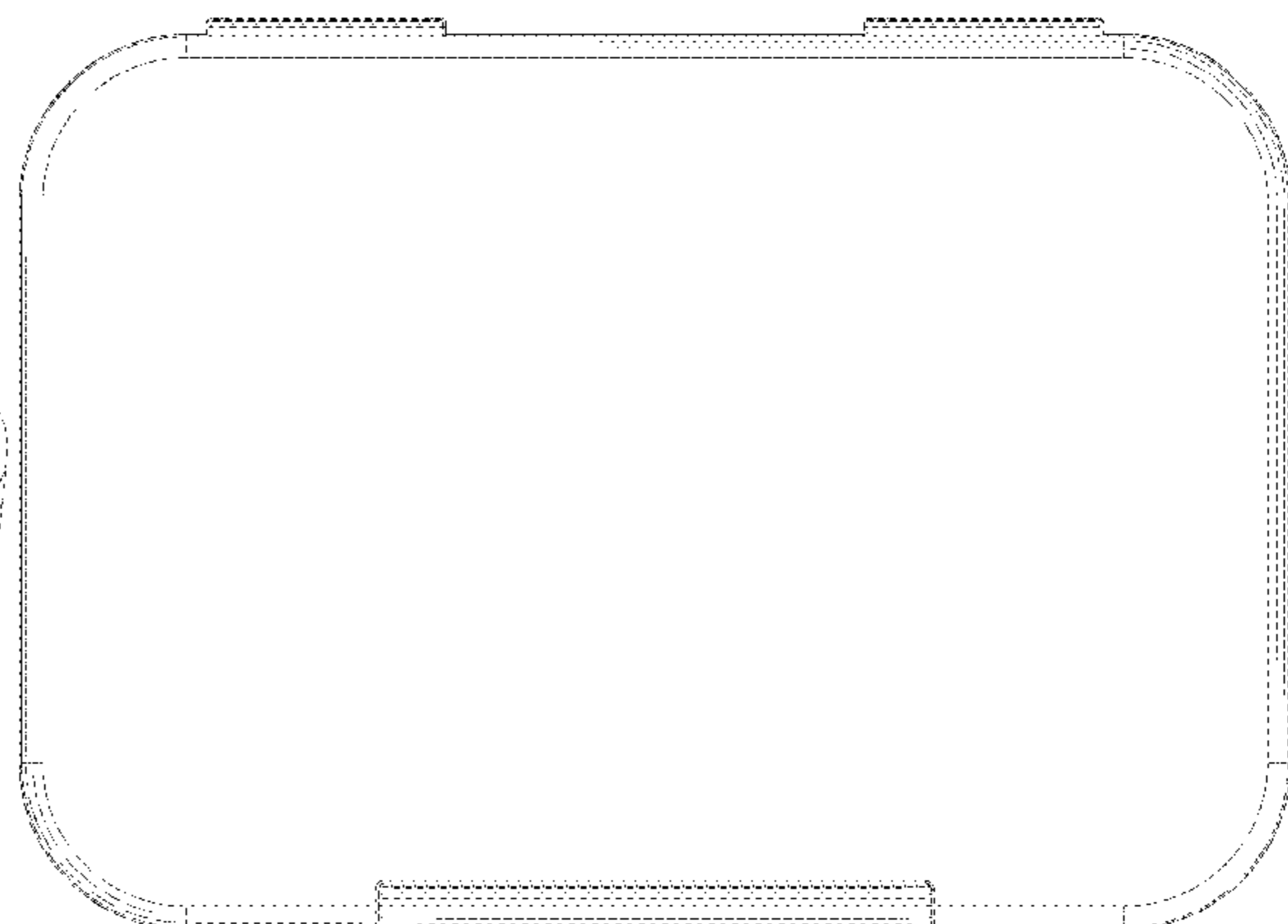
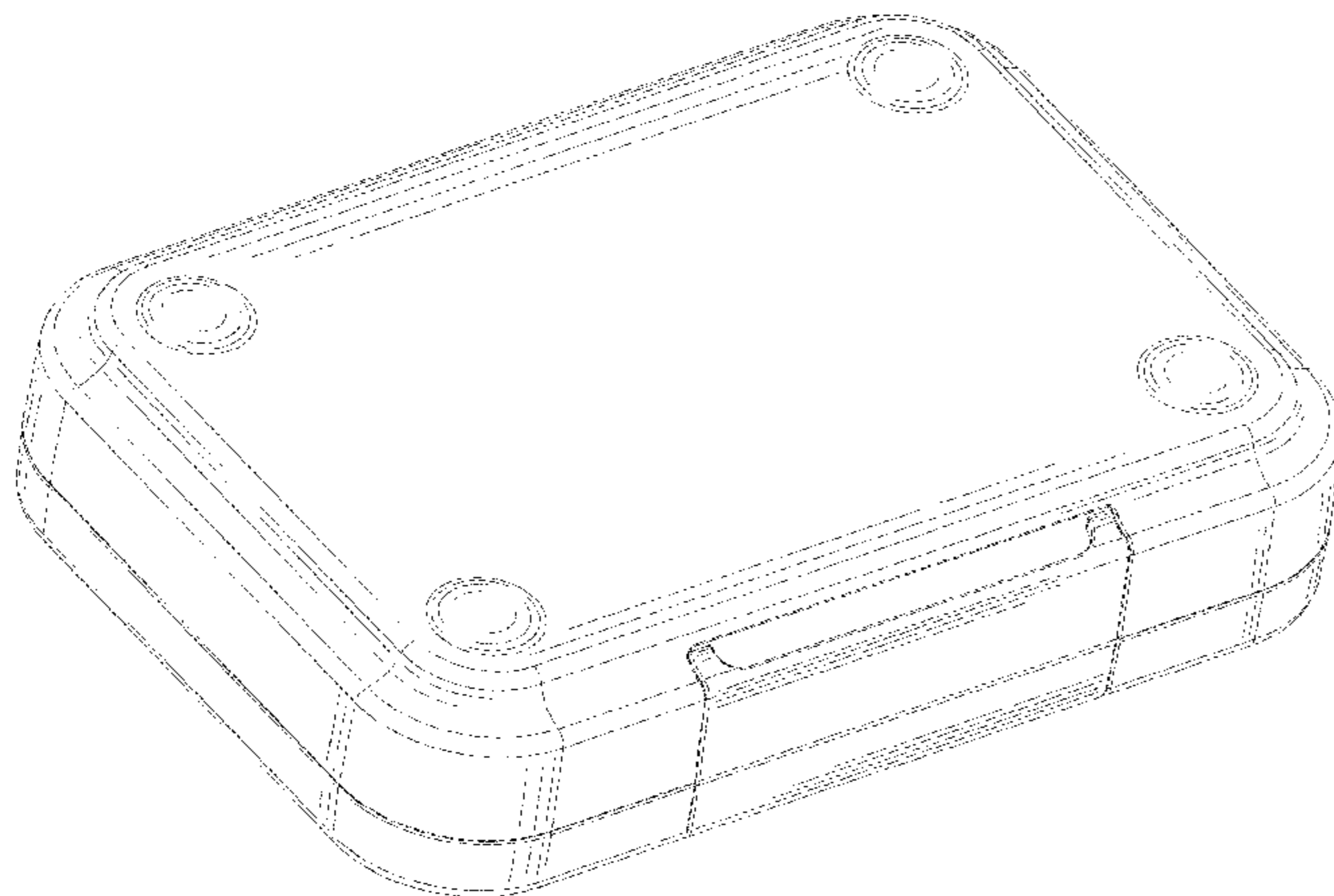
(57) **CLAIM**

The ornamental design for a lunch box, as shown and described.

DESCRIPTION

FIG. 1 is a perspective view of a lunch box showing my new design;
FIG. 2 is a front elevation view thereof;
FIG. 3 is a back elevation view thereof;
FIG. 4 is a left side view thereof;
FIG. 5 is a right side view thereof;
FIG. 6 is a top plan view thereof; and,
FIG. 7 is a bottom plan view thereof.
The broken lines in the drawing depict portion of the lunch box only and form no part of the claimed design.

1 Claim, 7 Drawing Sheets



(56)

References Cited

U.S. PATENT DOCUMENTS

D924,535 S * 7/2021 Culbreth D99/28
D935,167 S * 11/2021 Chen D3/203.3
D951,727 S * 5/2022 Zhong D7/703
D953,128 S * 5/2022 Swartz D7/703
D953,129 S * 5/2022 Swartz D7/703
D953,731 S * 6/2022 Lee D3/203.2
D957,214 S * 7/2022 Goldberg D7/703
D962,020 S * 8/2022 Zhang D7/703
2011/0114526 A1* 5/2011 Neumann A45C 11/20
206/459.5
2019/0375551 A1* 12/2019 Bell B65D 25/06
2021/0037940 A1* 2/2021 Kim A45C 13/02

OTHER PUBLICATIONS

[Bentgo Pop—Leak-Proof Bento-Style Lunch Box], available in Amazon.com, date first available Jun. 22, 2022 [online], [site visited Oct. 18, 2022], Available from the internet URL: <https://www.amazon.com/dp/B0B3BNKCH4/> (Year: 2022).*

* cited by examiner

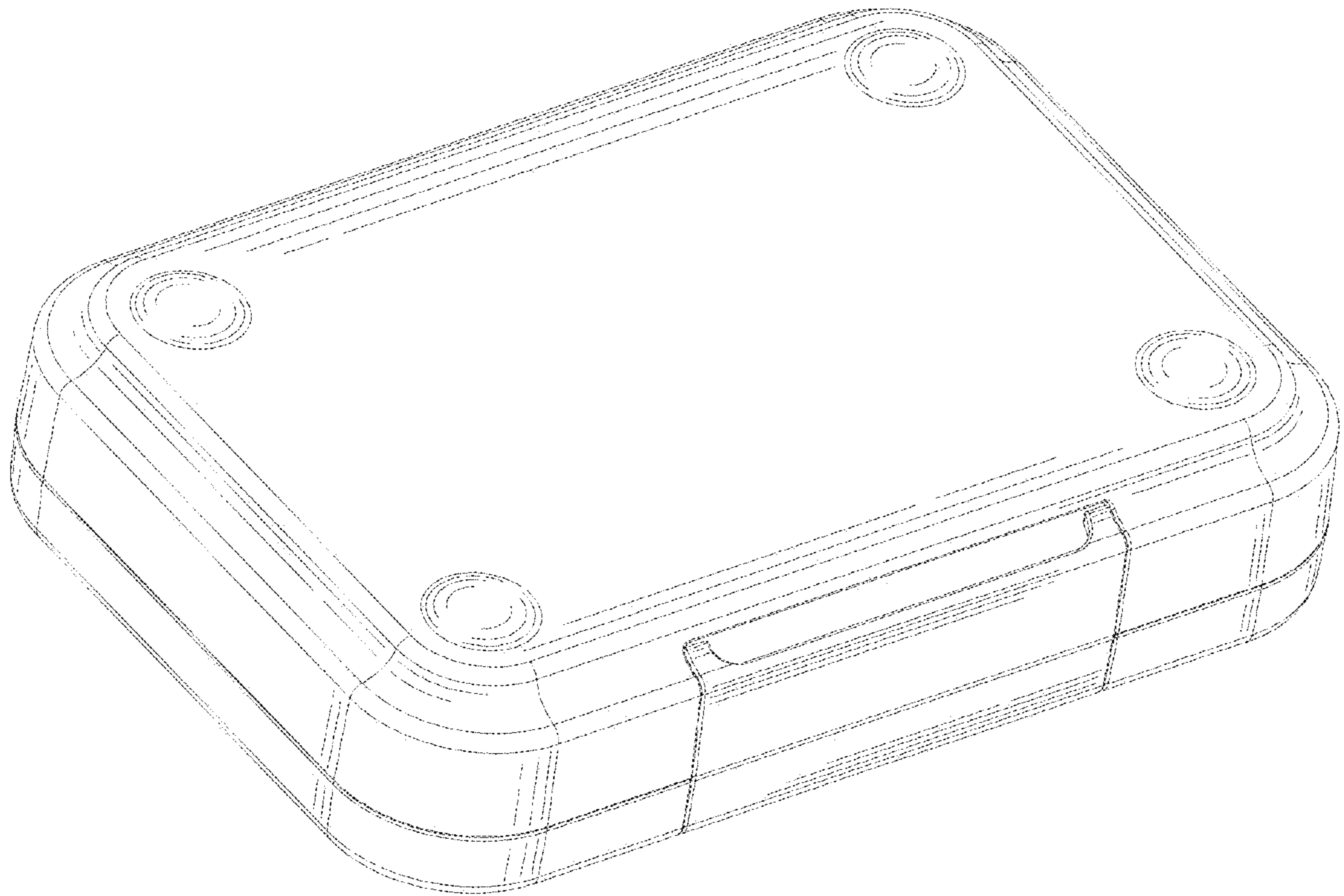


FIG. 1



FIG. 2

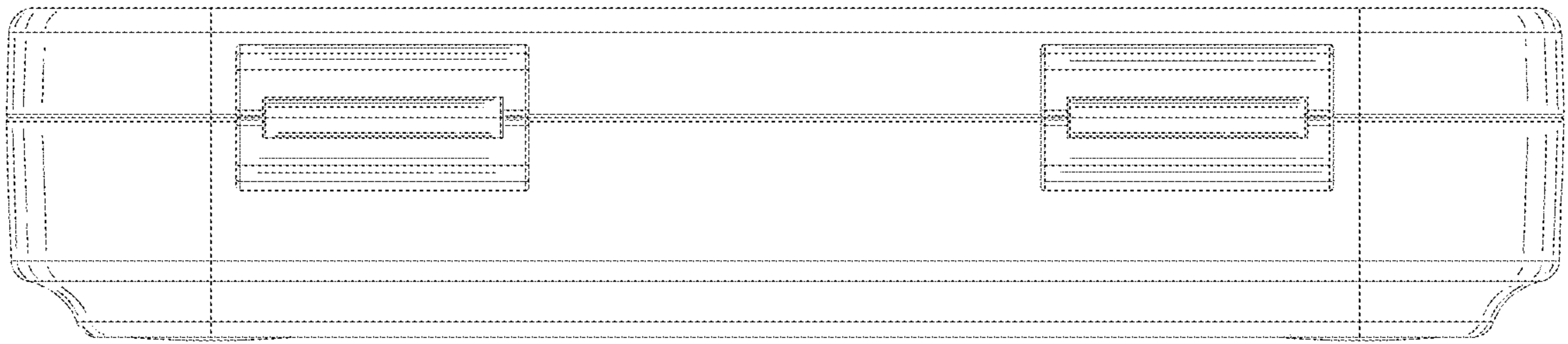


FIG. 3

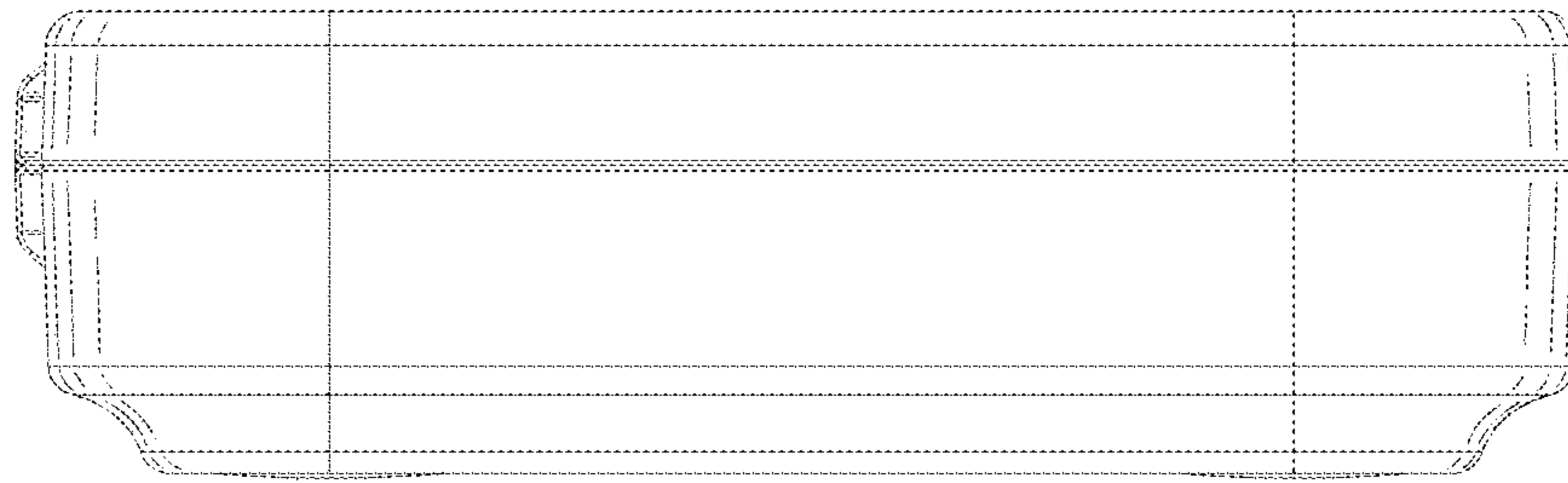


FIG. 4

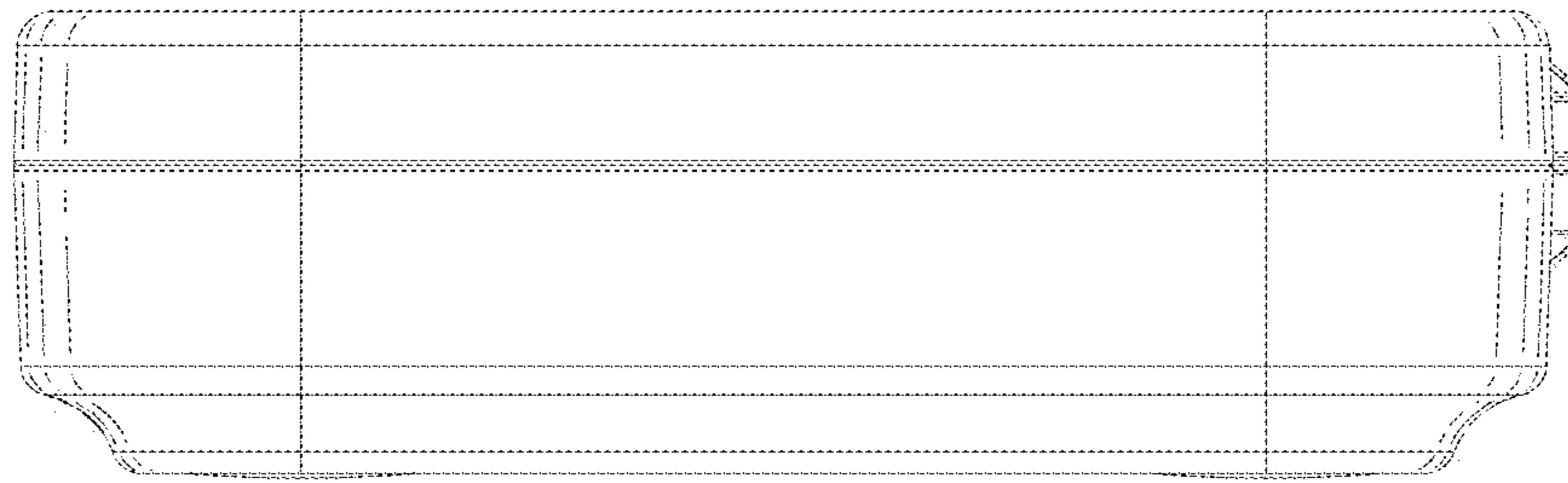


FIG. 5



FIG. 6

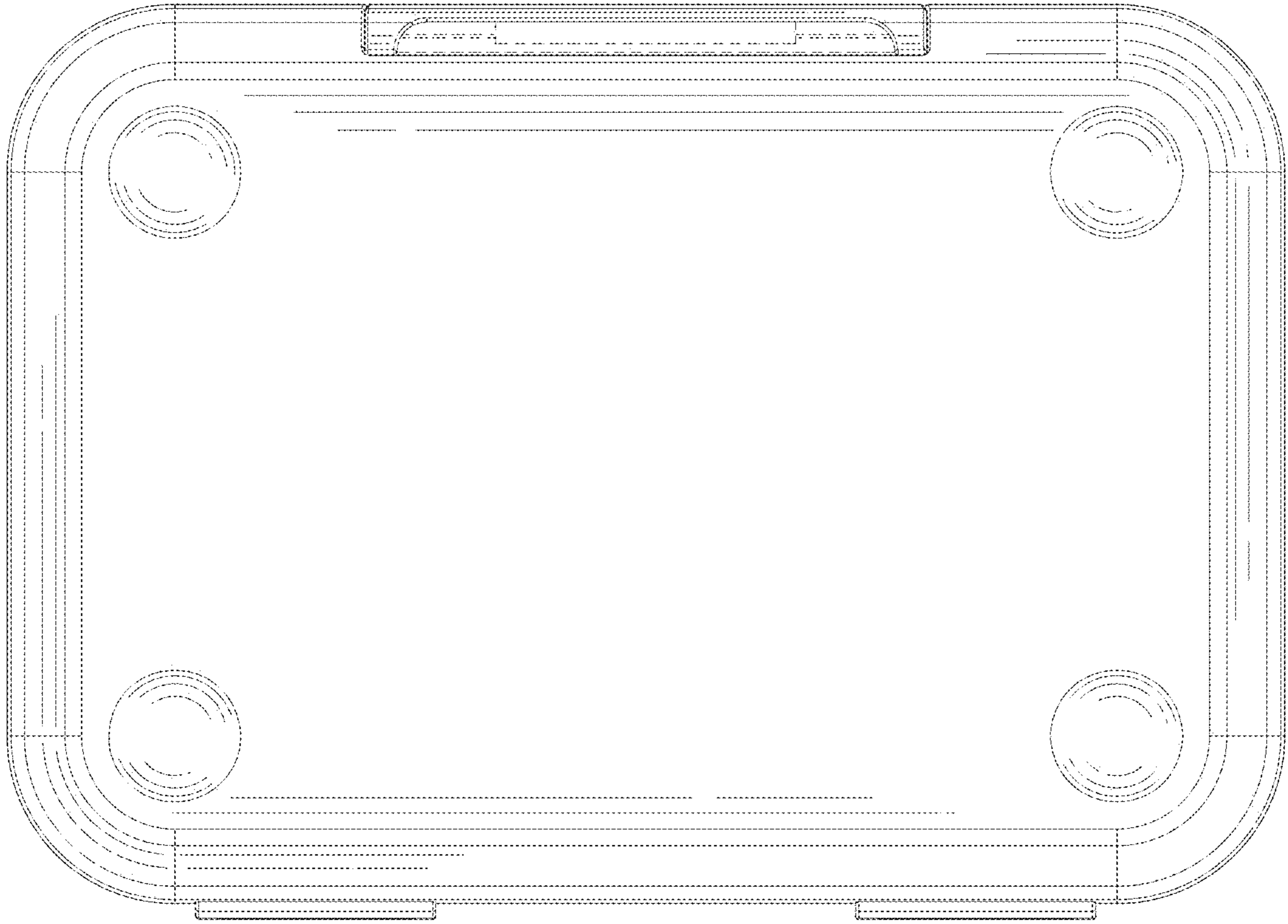


FIG. 7