



US00D977916S

(12) **United States Design Patent** (10) **Patent No.:** **US D977,916 S**
Watanabe et al. (45) **Date of Patent:** **** Feb. 14, 2023**

(54) **VACUUM BOTTLE**
(71) Applicant: **TIGER CORPORATION**, Osaka (JP)
(72) Inventors: **Masahiro Watanabe**, Osaka (JP);
Yujin Morisawa, Tokyo (JP)
(73) Assignee: **TIGER CORPORATION**, Osaka (JP)
(**) Term: **15 Years**
(21) Appl. No.: **29/786,429**
(22) Filed: **Jun. 1, 2021**

D871,842 S * 1/2020 Yao D7/510
D897,781 S * 10/2020 Hirsch D7/511
D899,186 S * 10/2020 McLean D7/510
D932,843 S * 10/2021 Ames D7/511
D944,056 S * 2/2022 Paparao D7/509
D949,635 S * 4/2022 Pisarevsky D7/624.2
D959,202 S * 8/2022 Lin D7/510
D959,204 S * 8/2022 Jacobsen D7/392.1

(30) **Foreign Application Priority Data**

Feb. 26, 2021 (JP) 2021-004094 D

(51) **LOC (14) Cl.** **07-01**
(52) **U.S. Cl.**
USPC **D7/608**

(58) **Field of Classification Search**
USPC D7/500, 509-511, 513, 523, 532, 533,
D7/536, 601, 602, 608, 619.1, 622, 624.1,
D7/624.2, 629; D9/503, 516, 526, 529,
D9/530, 537, 538, 549, 554, 556, 558
CPC A45F 3/16; A45F 3/18; A45F 2003/163;
A47G 19/2205; A47G 19/2262; A47G
19/2272; A47G 19/2288; A47J 41/00;
A47J 41/0005; A47J 41/0011; A47J
41/0016; A47J 41/0022; A47J 41/0027;
A47J 41/02; A47J 41/024; A47J 41/028
See application file for complete search history.

(56) **References Cited**

U.S. PATENT DOCUMENTS

D675,100 S * 1/2013 Herbst D9/504
D786,671 S * 5/2017 Khetarpaul D7/394
D805,852 S * 12/2017 Seiders D9/504
D856,757 S * 8/2019 Seiders D9/504

OTHER PUBLICATIONS

YETI Rambler 18 oz Bottle, first available May 15, 2017, Amazon, [online], [site visited Oct. 31, 2022], Available from internet URL: <https://www.amazon.com/YETI-Bottle-Rambler-18Oz-Black/dp/B07288WC3K> (Year: 2017).*

* cited by examiner

Primary Examiner — Mary Ann Calabrese
Assistant Examiner — Natalya M Rapundalo
(74) *Attorney, Agent, or Firm* — JCIPRNET

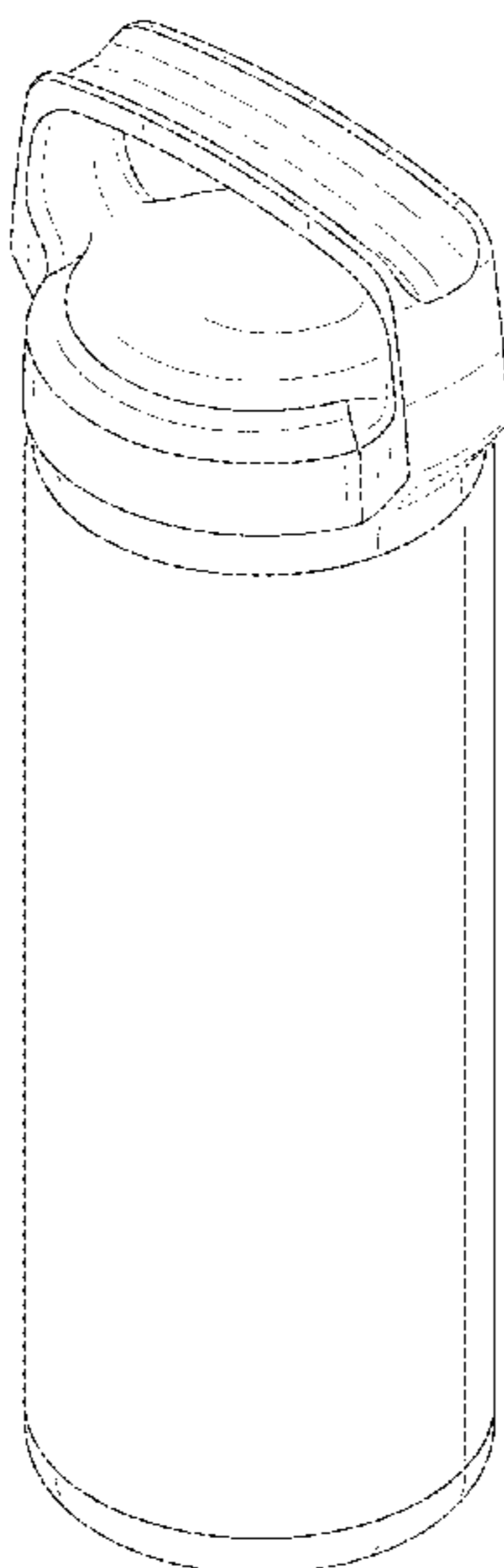
(57) **CLAIM**

The ornamental design for a vacuum bottle, as shown and described.

DESCRIPTION

FIG. 1 is a perspective view of a vacuum bottle showing our new design;
FIG. 2 is a front view thereof, the rear view being a mirror image thereof;
FIG. 3 is a left side view thereof, the right side view being a mirror image thereof;
FIG. 4 is a top view thereof;
FIG. 5 is a bottom view thereof; and,
FIG. 6 is a cross-sectional view taken along line 6-6 in FIG. 4.
The broken lines illustrate portions of the vacuum bottle that form no part of the claimed design.

1 Claim, 5 Drawing Sheets



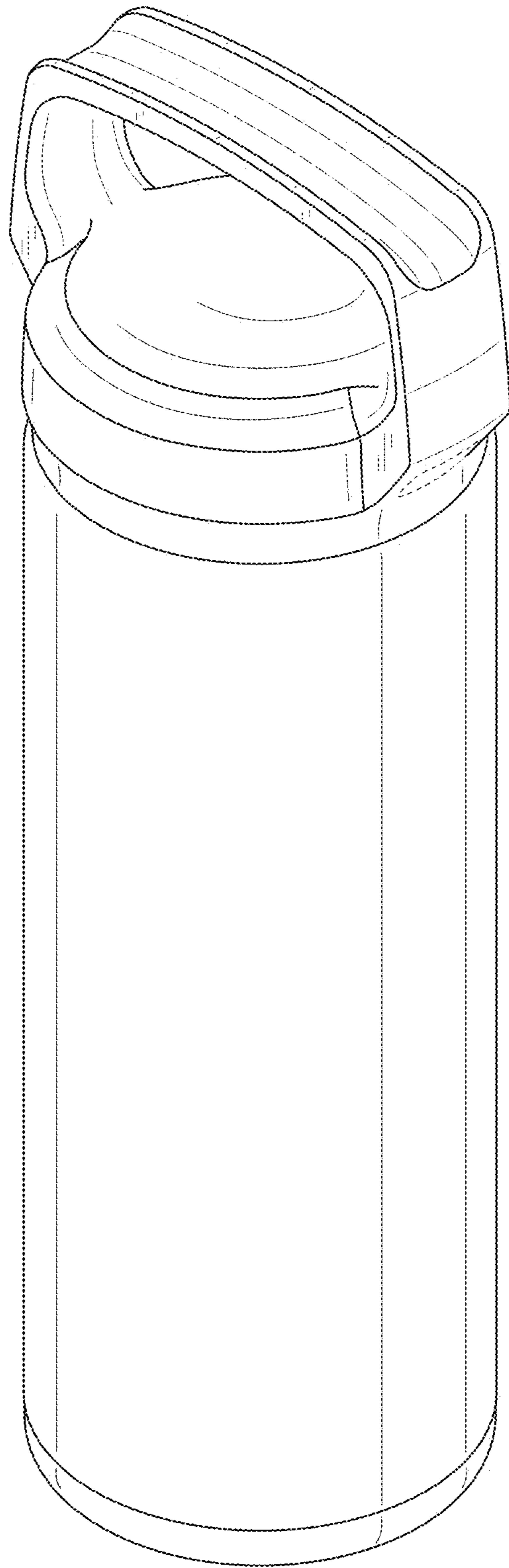


FIG. 1

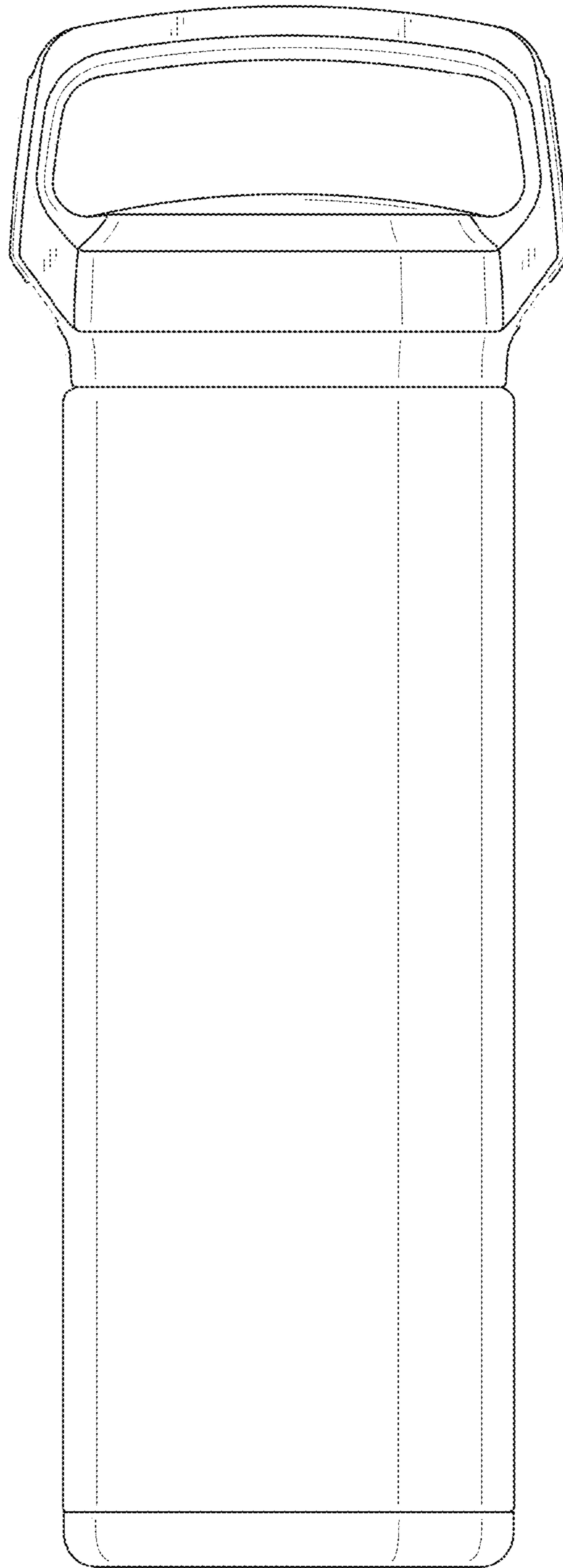


FIG. 2

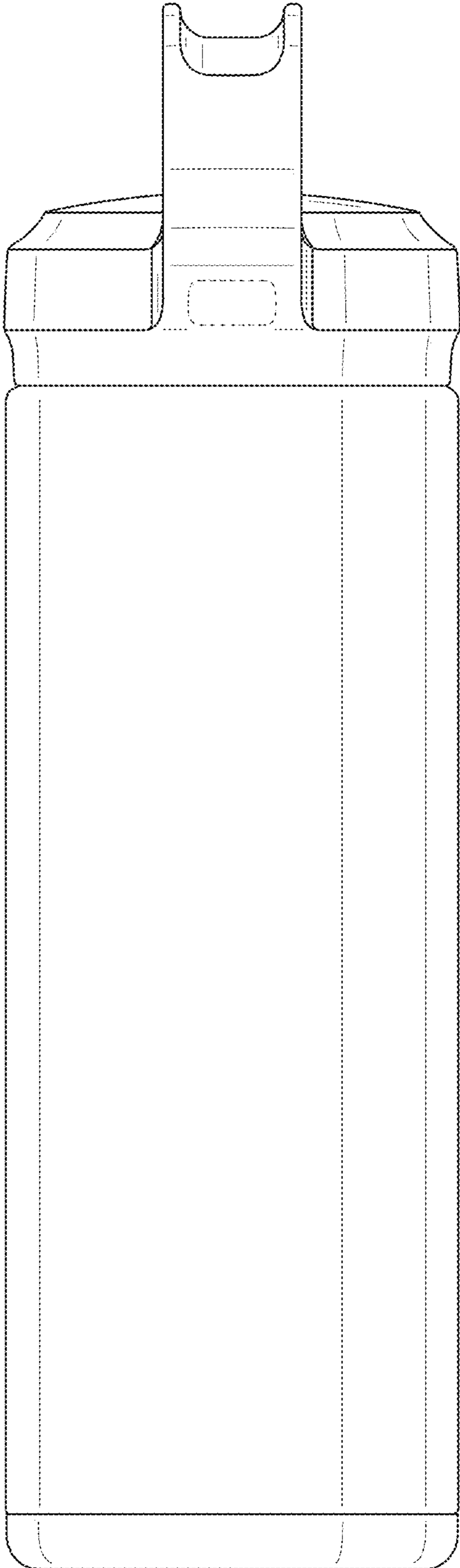


FIG. 3

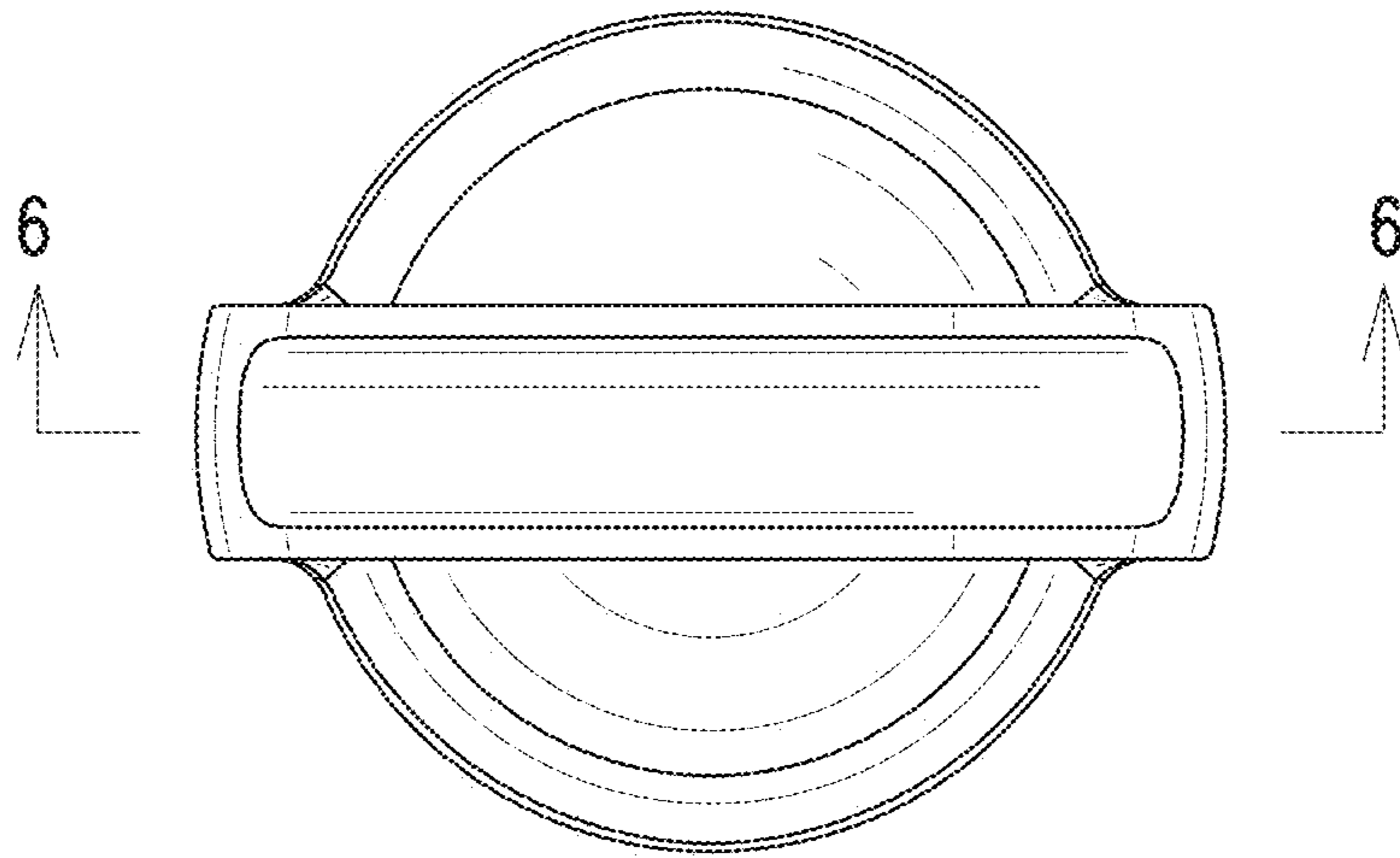


FIG. 4

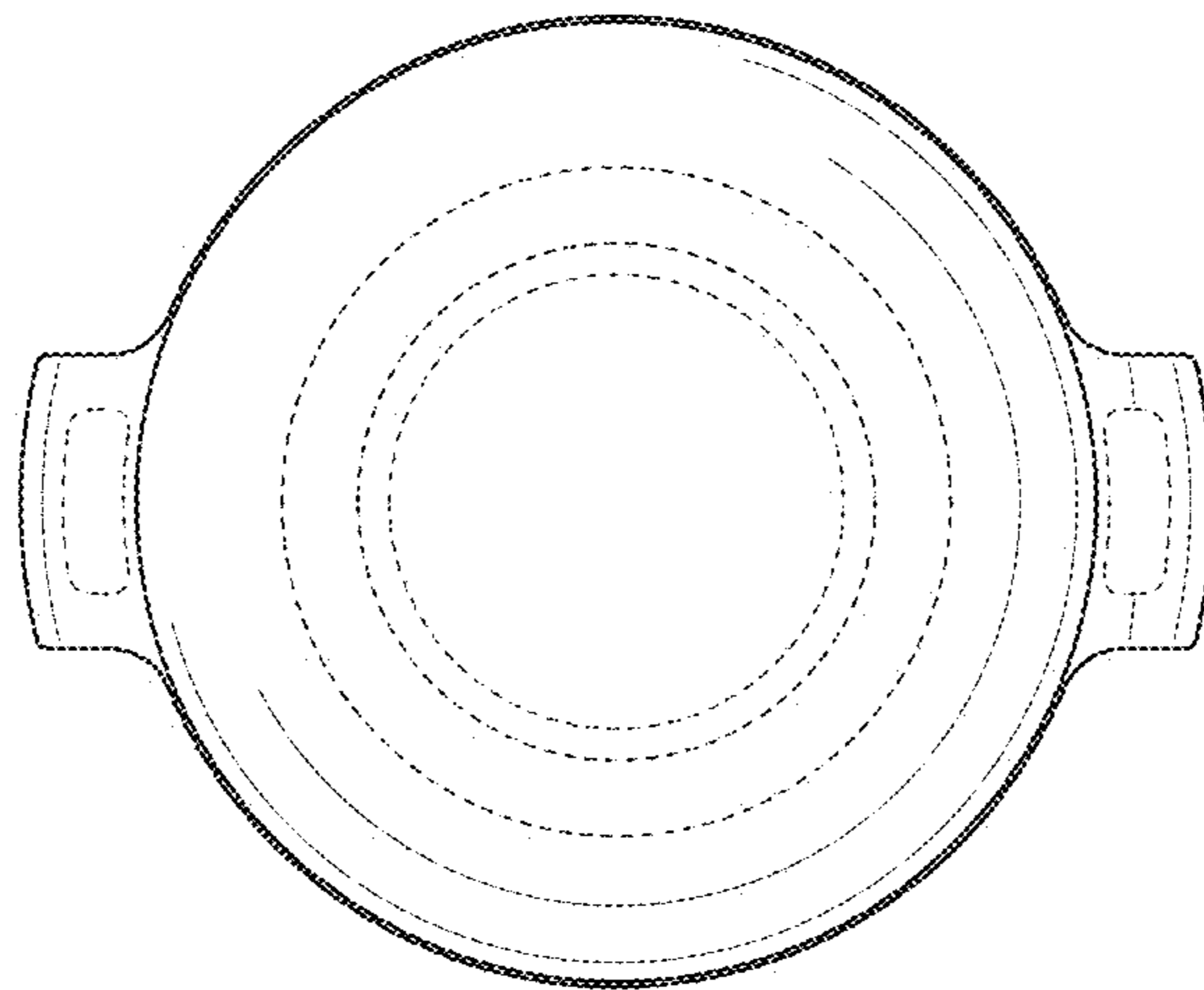


FIG. 5

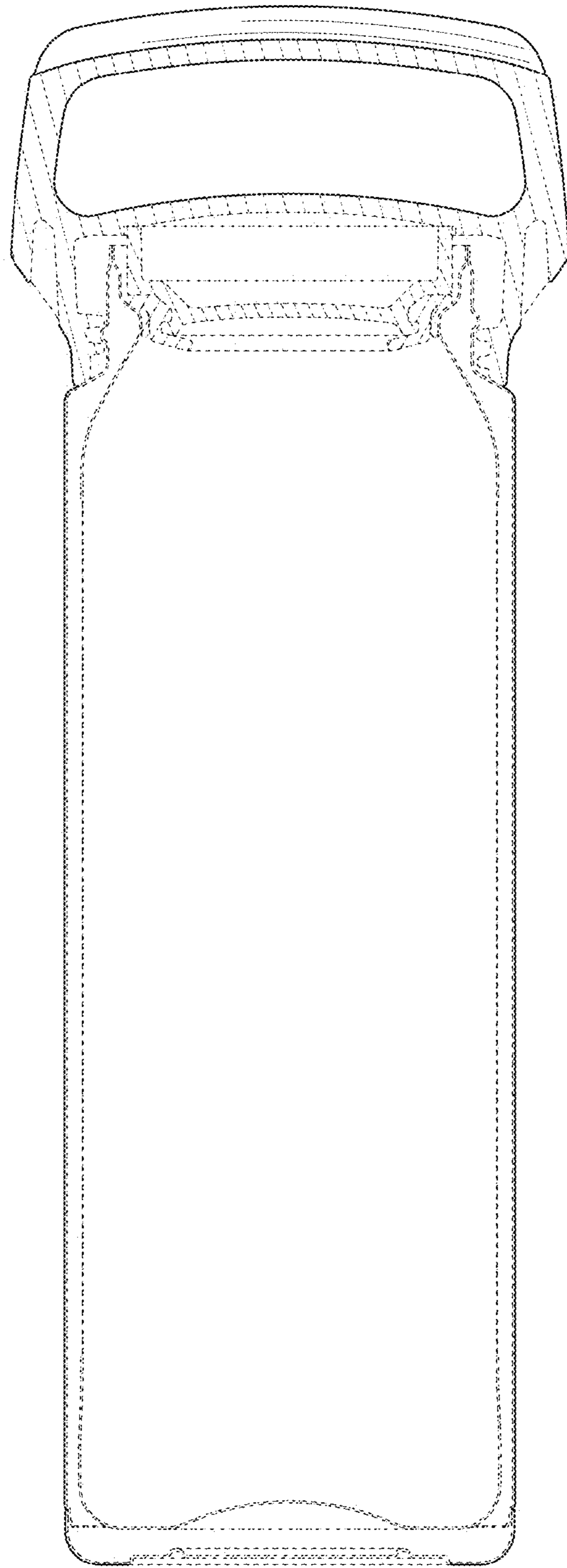


FIG. 6