



US00D977914S

(12) **United States Design Patent**
Tran

(10) **Patent No.:** **US D977,914 S**
(45) **Date of Patent:** **** Feb. 14, 2023**

- (54) **ICE CHEST COOLER**
- (71) Applicant: **Vuong Quy Tran**, San Jose, CA (US)
- (72) Inventor: **Vuong Quy Tran**, San Jose, CA (US)
- (**) Term: **15 Years**
- (21) Appl. No.: **29/754,832**
- (22) Filed: **Oct. 14, 2020**
- (51) **LOC (14) Cl.** **07-01**
- (52) **U.S. Cl.**
USPC **D7/605**
- (58) **Field of Classification Search**
USPC D7/300, 300.1, 312, 313, 354, 355, 360,
D7/361, 387, 391, 392, 396.2, 509, 510,
D7/511, 512, 513, 523, 533, 536,
D7/601-608, 619.1, 622, 624.1-624.3,
D7/625, 629, 630, 709; D3/202,
D3/215-217, 272-274, 276, 279, 283,
D3/284, 294, 295, 299, 301, 318, 327;
D15/81, 83
CPC A45C 11/20; A47J 27/002; A47J 27/004;
A47J 36/10; A47J 36/24; A47J 36/2483;
A47J 36/32; A47J 47/10; B29C 66/53461;
B65D 43/02; B65D 43/162; B65D
2543/00092; B65D 81/3386; B65D 81/38;
B65D 81/3802; B65D 81/3823; B65D
81/3837; B65D 81/3839; B65D 81/3841;
B65D 81/3844; B65D 81/3846; B65D
81/3876; B67D 1/0857; B67D 3/0009;
F25D 3/02; F25D 3/0812; F25D 3/14;
F25D 31/002; F25D 31/007; F25D
31/008; F25D 2331/801; F25D 2331/803;
F25D 2331/804; F25D 2331/8041; F25D
2331/805; F25D 2331/806; F25D
2331/809; F25D 2400/16
See application file for complete search history.

- D460,259 S * 7/2002 Oelfke D3/273
 - D557,565 S * 12/2007 Van Oosten D7/605
 - D587,072 S * 2/2009 Friedman D7/605
 - D740,562 S * 10/2015 Bonilla D3/294
 - D763,031 S * 8/2016 Liu D7/307
 - D828,108 S * 9/2018 Bowling D7/605
 - 10,279,991 B2 * 5/2019 Roger B65D 90/0033
- (Continued)

OTHER PUBLICATIONS

Ice Chests, Frigid Rigid, [online], [site visited Apr. 15, 2022], Available from internet URL: <https://www.frigidrigid.com/product/ice-chests/> (Year: 2022).*

Primary Examiner — Mary Ann Calabrese
Assistant Examiner — Natalya M Rapundalo

(57) **CLAIM**

The ornamental design for an ice chest cooler, as shown and described.

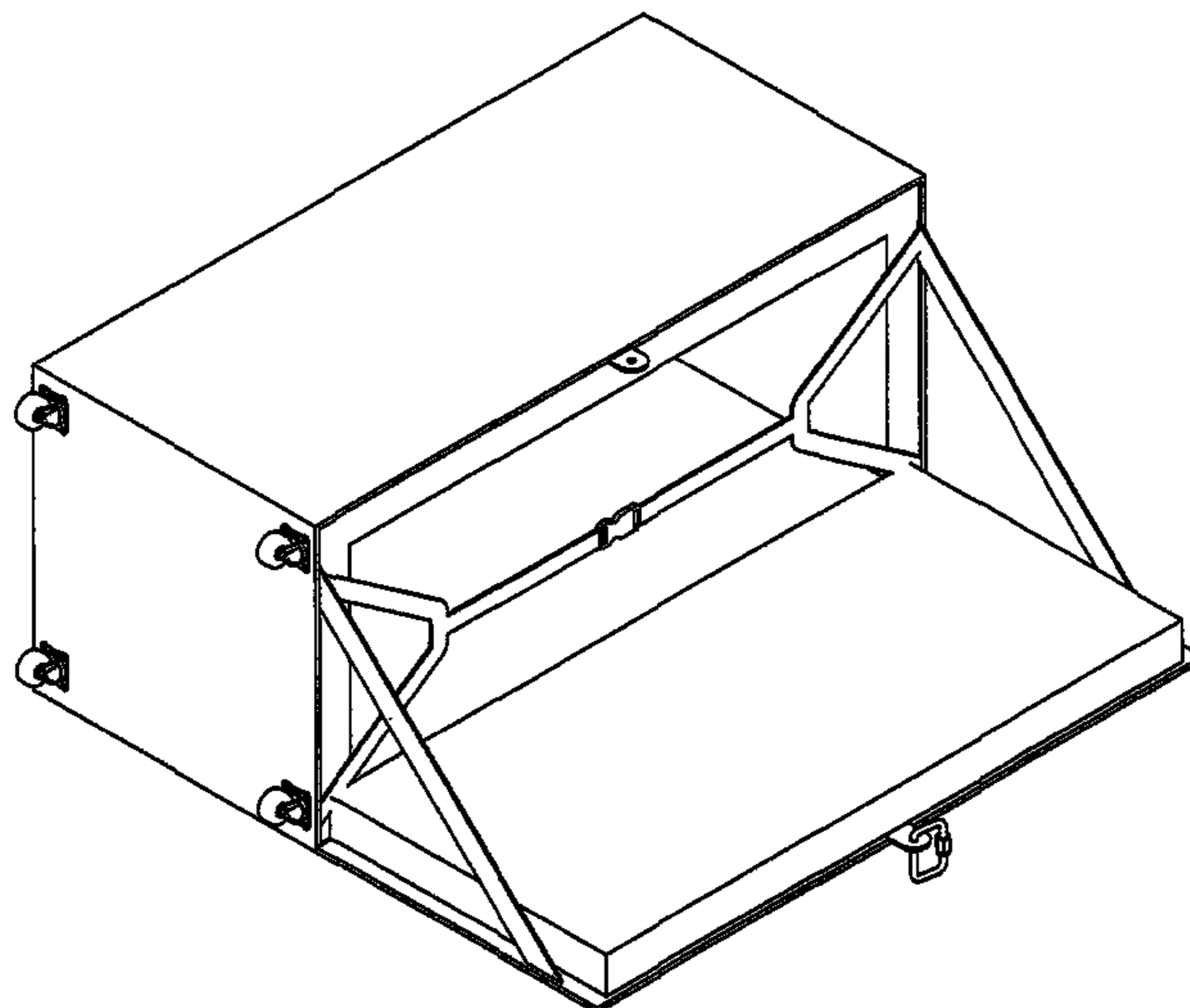
DESCRIPTION

FIG. 1 is a perspective view of the ice chest cooler with the door opened
 FIG. 2 is a front view of the ice chest cooler with the door opened
 FIG. 3 is a top view of the ice chest cooler with the door opened
 FIG. 4 is a left view of the ice chest cooler with the door opened
 FIG. 5 is a right view of the ice chest cooler with the door opened; and,
 FIG. 6 is a front view of the ice chest cooler with the door opened and the front insulation piece closed.
 The broken lines in the drawing represent portions of the ice chest cooler and form no part of the claimed design.

1 Claim, 6 Drawing Sheets

(56) **References Cited**
U.S. PATENT DOCUMENTS

- D217,074 S * 3/1970 Jones B65D 43/162
D15/83
- D429,115 S * 8/2000 Mount D7/605



(56)

References Cited

U.S. PATENT DOCUMENTS

D914,363 S * 3/2021 Tran D3/279
2017/0313334 A1 * 11/2017 Ryan B65D 43/162

* cited by examiner

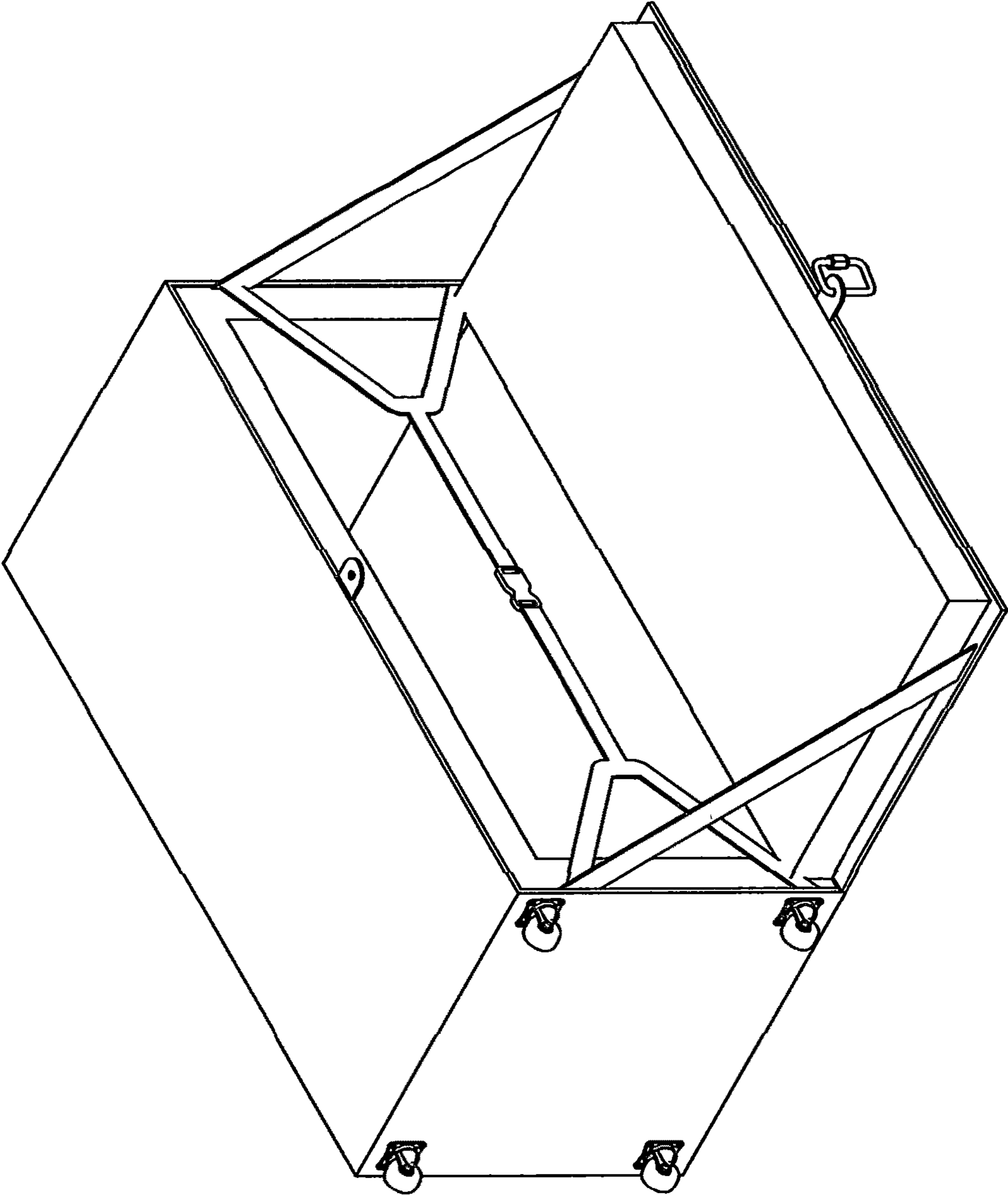


FIG. 1

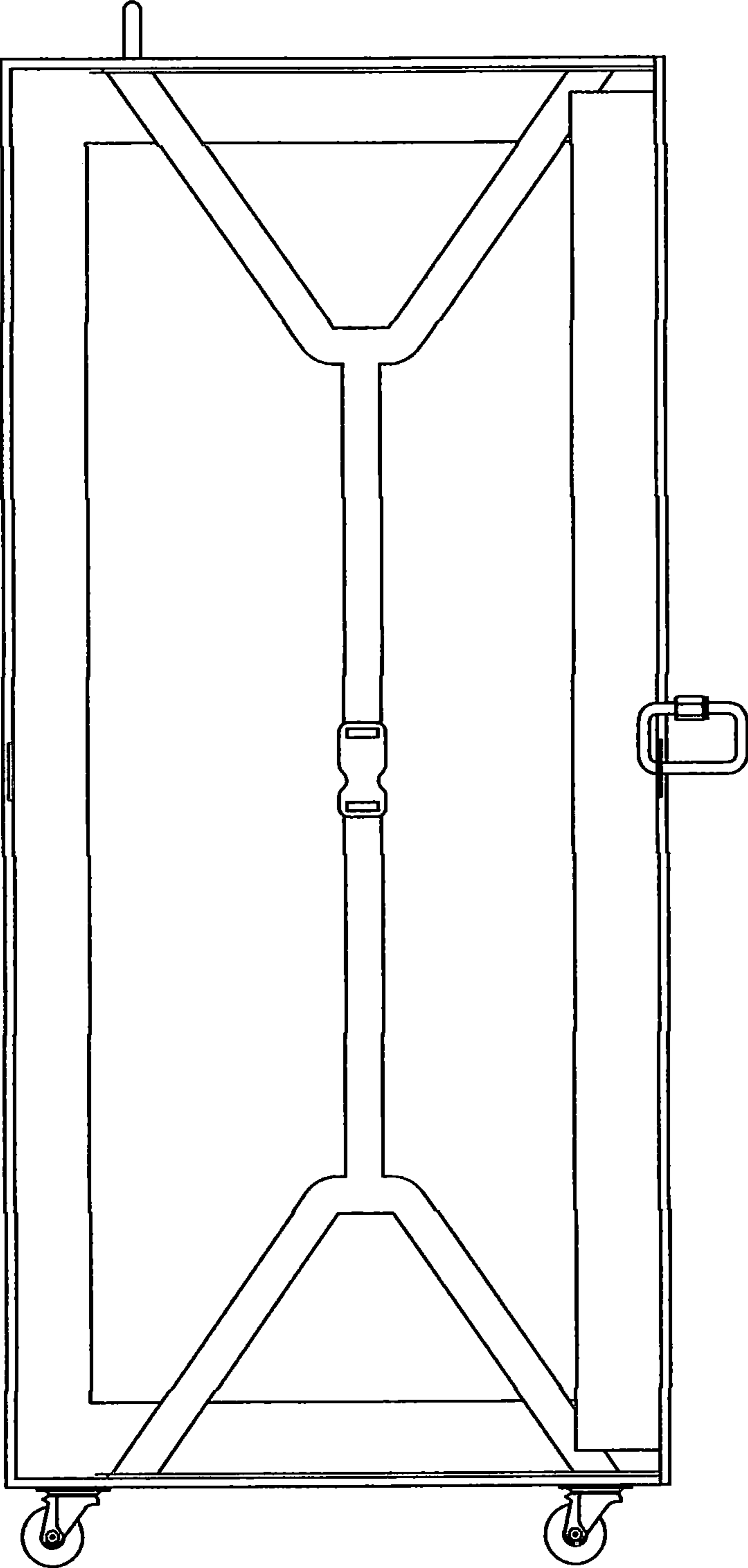


FIG. 2

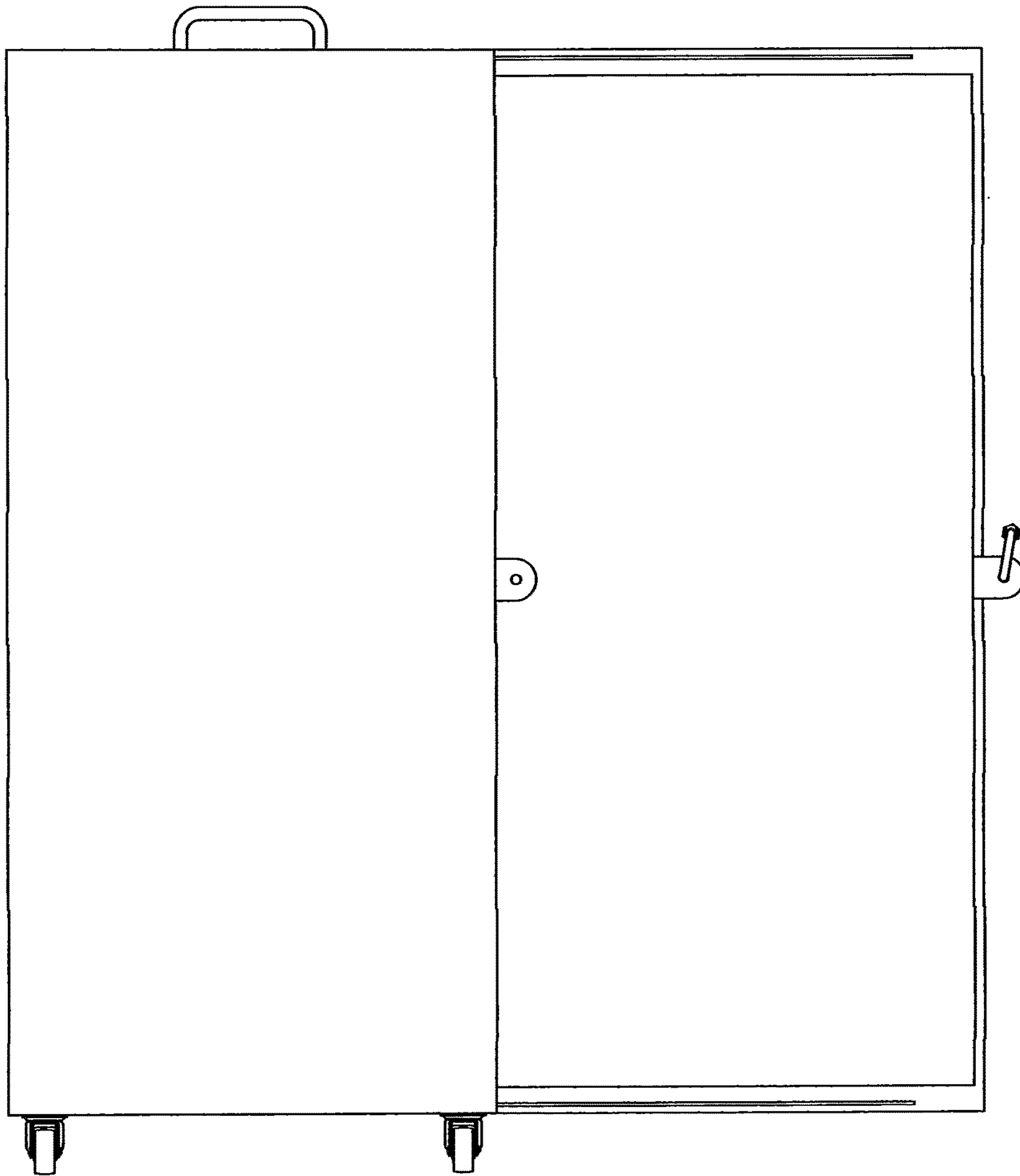


FIG. 3

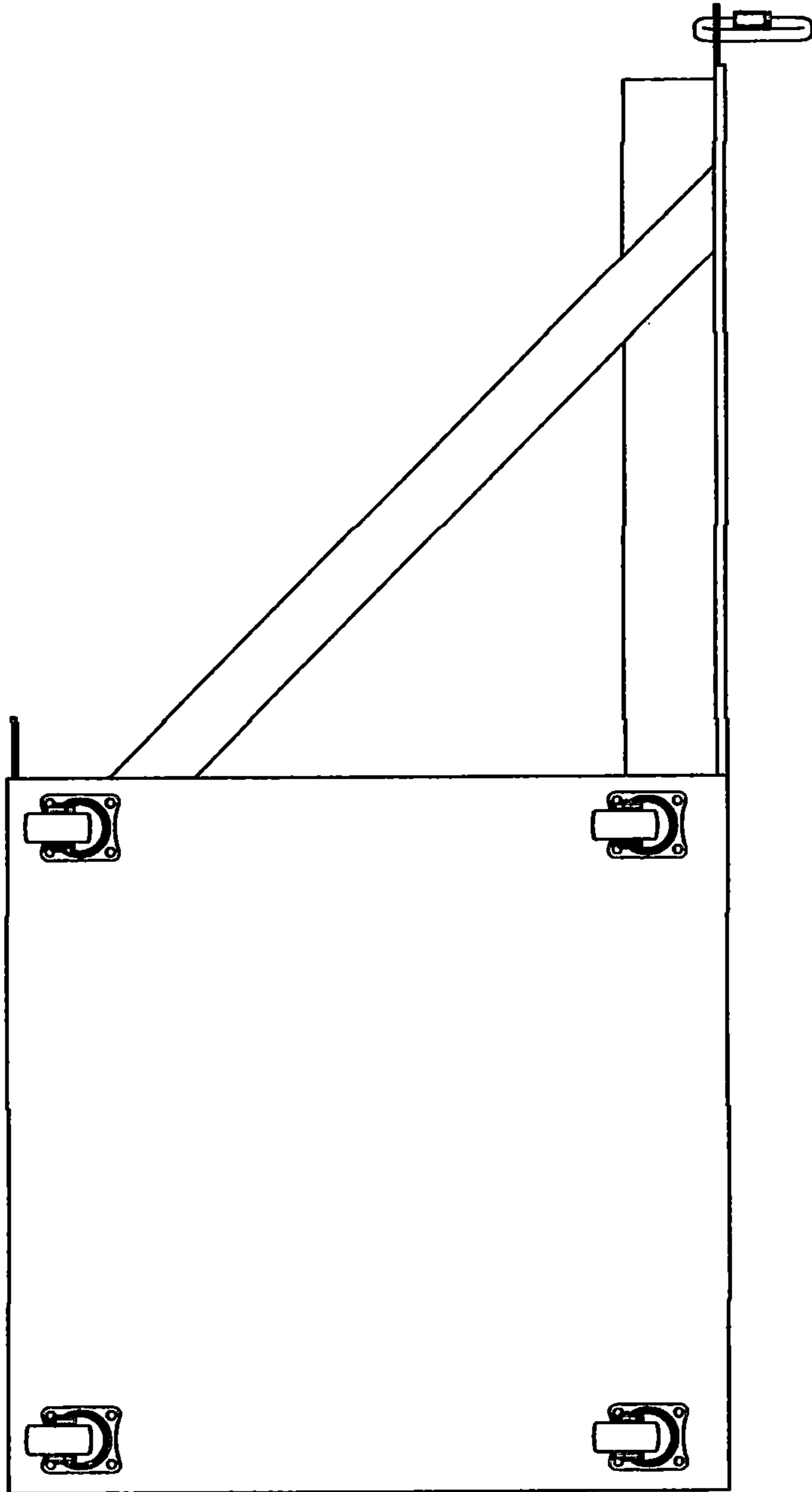


FIG. 4

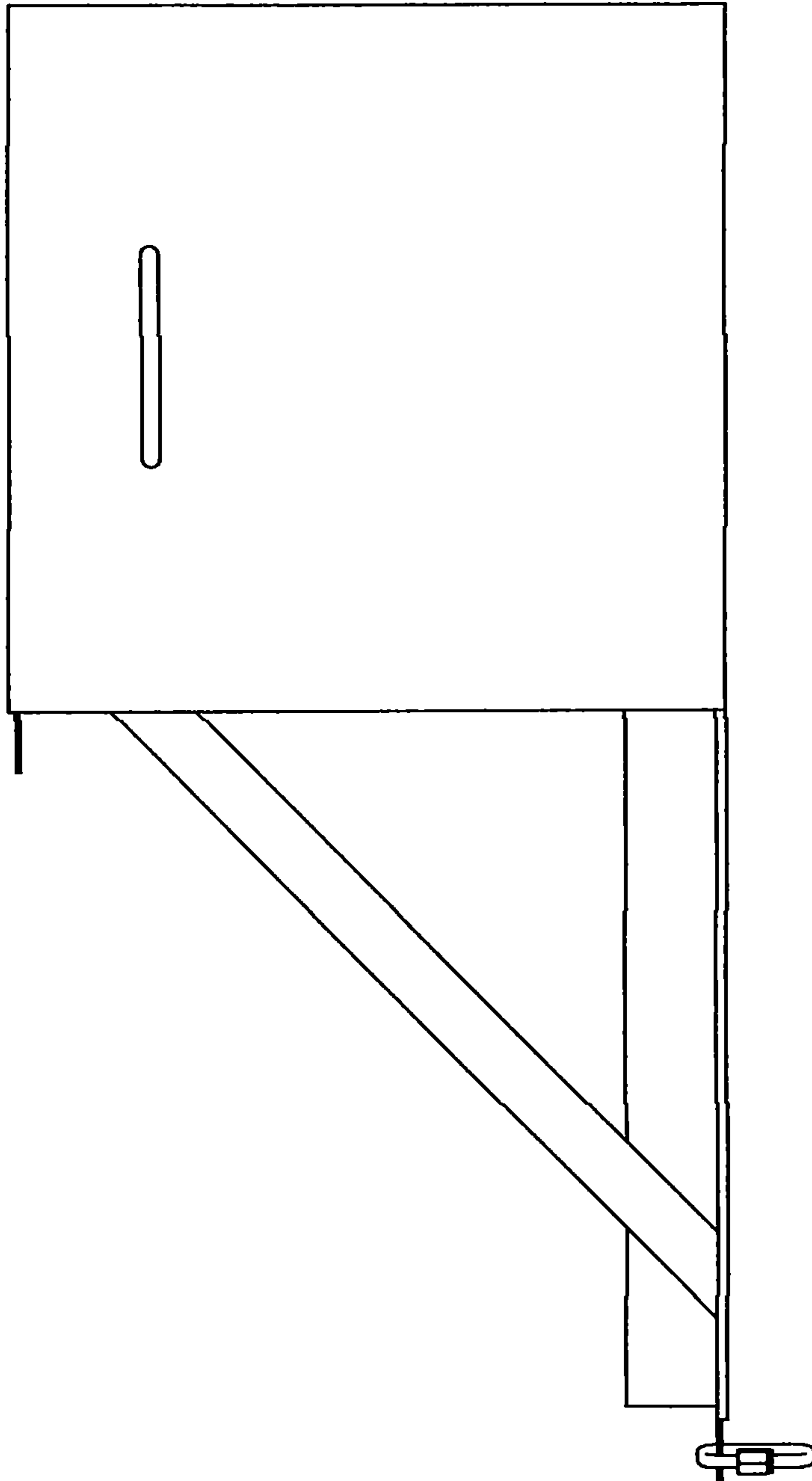


FIG. 5

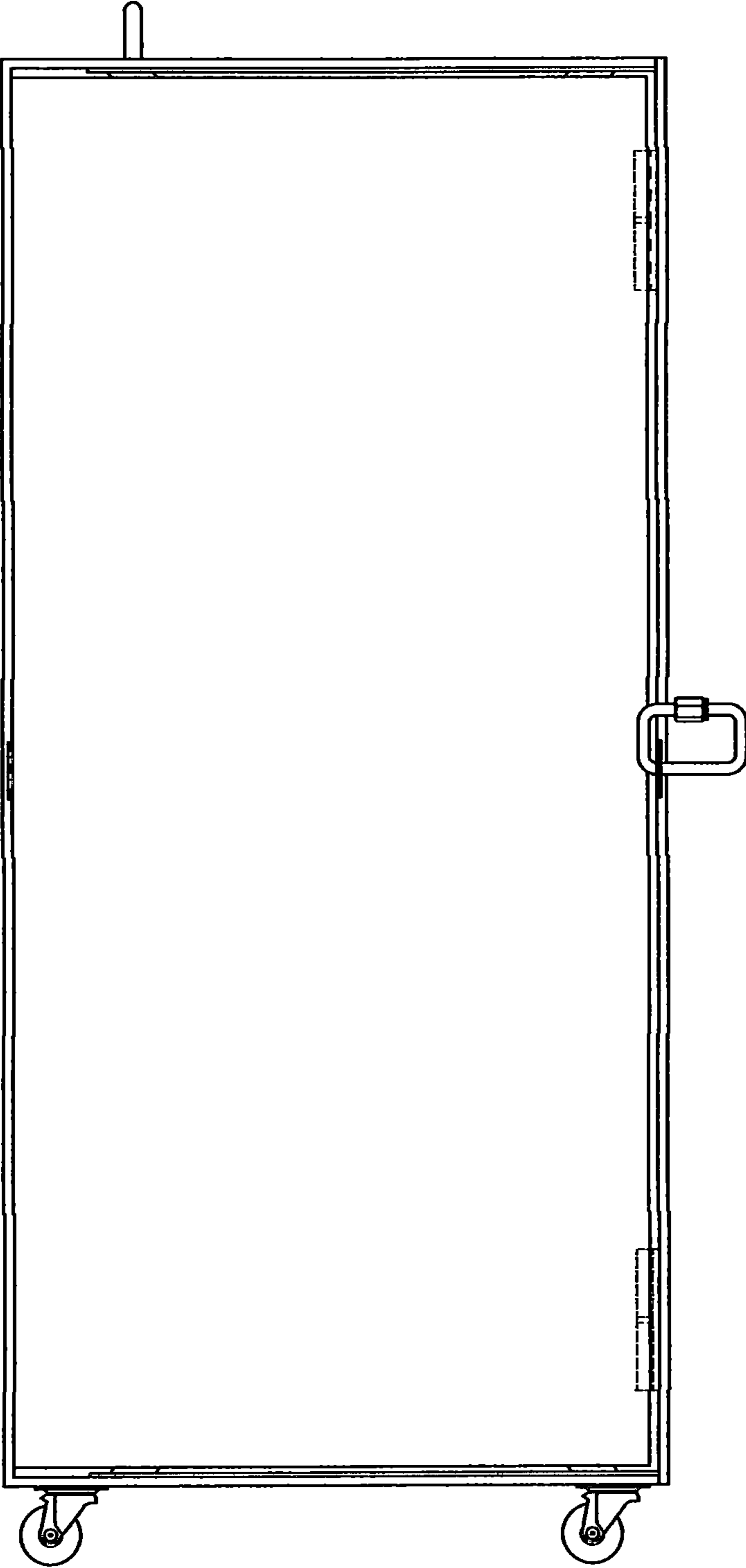


FIG. 6