



US00D977913S

(12) **United States Design Patent**
Sabounjian et al.

(10) **Patent No.:** **US D977,913 S**

(45) **Date of Patent:** **** Feb. 14, 2023**

(54) **MESH SPICE RACK**

(71) Applicants: **Azad Sabounjian**, Irvine, CA (US);
Sam C. Sabounjian, Irvine, CA (US)

(72) Inventors: **Azad Sabounjian**, Irvine, CA (US);
Sam C. Sabounjian, Irvine, CA (US)

(**) Term: **15 Years**

(21) Appl. No.: **29/759,212**

(22) Filed: **Nov. 20, 2020**

(51) **LOC (14) Cl.** **07-09**

(52) **U.S. Cl.**

USPC **D7/600.4**; D6/675.3

(58) **Field of Classification Search**

USPC D7/408-409, 550.1, 552.2, 553.1, 553.2,
D7/554.3, 590, 592, 596-597, 600.1,
D7/600.3-600.4, 601-602, 619.1, 630,
D7/632, 690, 704-705, 707;

D6/524-525, 537, 566-567, 571, 654.11,
D6/654.18, 655.11, 675.1-675.4, 683.1,
D6/677.2, 677.5, 678.4, 692.4-692.6,

D6/696.3, 705, 705.6, 706; D9/681, 737,
D9/745, 747, 756-758, 761; D3/304-306

CPC A47F 5/01; A47L 19/04; A47K 3/281;
A47K 1/09; A47B 55/02; A47B 88/90;

A47B 88/40

See application file for complete search history.

(56) **References Cited**

U.S. PATENT DOCUMENTS

- 2,321,339 A * 6/1943 Wadsworth A47F 7/02
206/560
- D181,560 S * 11/1957 Varnado D25/65
- D207,564 S * 5/1967 Hartford D7/600.1
- 5,357,876 A * 10/1994 Kniefel A47C 12/02
108/64
- D410,685 S * 6/1999 Thorp D19/86
- D518,316 S * 4/2006 Gusdorf D6/675.3
- D555,845 S * 11/2007 Khubani D30/199

- D557,936 S * 12/2007 Van Es D6/675.3
- D599,582 S * 9/2009 DeCardenas D6/675.3
- D653,876 S * 2/2012 Snider D6/675.5
- D702,998 S * 4/2014 Fugere D7/409
- D716,590 S * 11/2014 Hsu D6/675.3
- D737,079 S * 8/2015 Tsai D6/675.3
- D747,629 S * 1/2016 Goodman D7/600.4

(Continued)

FOREIGN PATENT DOCUMENTS

JP D1688993 * 7/2021

OTHER PUBLICATIONS

Mesh Expandable Spice Rack, Mainstays, walmart.com, author and date unlisted © 2021 Walmart, online, site visited Nov. 2, 2021. Available at URL: <https://www.walmart.com/ip/Mainstays-Mesh-Expandable-Spice-Rack-Durable-Steel-Mesh-Kitchen-Pantry-Organizer/929582108> (Year: 2021).*

(Continued)

Primary Examiner — Holly E Thurman

Assistant Examiner — Altaira J Swangin

(74) *Attorney, Agent, or Firm* — Stetina Brunda Garred and Brucker

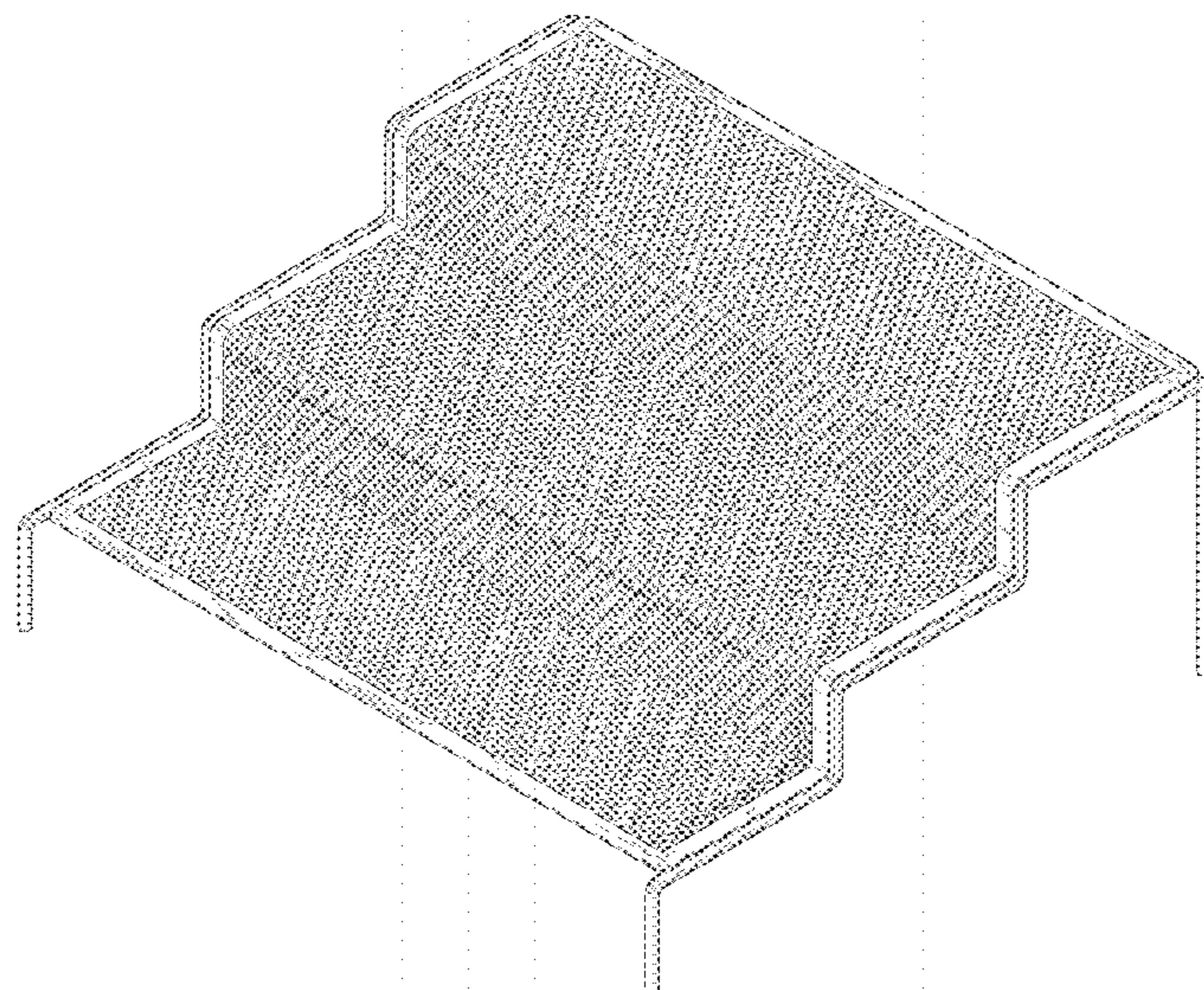
(57) **CLAIM**

The ornamental design for a mesh spice rack, as shown and described.

DESCRIPTION

FIG. 1 is a top perspective view of a mesh spice rack; FIG. 2 is a front view of the mesh spice rack of FIG. 1; FIG. 3 is a back view of the mesh spice rack of FIG. 1; FIG. 4 is a top view of the mesh spice rack of FIG. 1; FIG. 5 is a bottom view of the mesh spice rack of FIG. 1; FIG. 6 is a left side view of the mesh spice rack of FIG. 1; and, FIG. 7 is a right side view of the mesh spice rack of FIG. 1.

1 Claim, 7 Drawing Sheets



(56)

References Cited

U.S. PATENT DOCUMENTS

D787,242 S * 5/2017 Hsu D6/675.2
D802,370 S * 11/2017 Tsai D7/600.4
D813,575 S * 3/2018 Kraemer D6/675.3
D827,371 S * 9/2018 Colston D7/408
D839,029 S * 1/2019 Nilsson D6/675.4
D885,092 S * 5/2020 Greenwood D6/675.3
D911,782 S * 3/2021 Li D7/600.4
D912,471 S * 3/2021 Tsai D7/600.4
D924,635 S * 7/2021 Tsai D7/600.4
D931,057 S * 9/2021 Xin D7/600.4
D939,254 S * 12/2021 Huang D6/675.2
2020/0037759 A1 * 2/2020 Ward A47F 5/0062

OTHER PUBLICATIONS

3 Shelf Black Metal Mesh Rack, Mind Reader, homedepot.com, author and date unlisted © 2000-2021 Home Depot Authority, LLC, online, site visited Nov. 2, 2021. Available at URL: <https://www.homedepot.com/p/Mind-Reader-3-Shelf-Black-Metal-Mesh-Spice-Rack-with-Multi-Purpose-Kitchen-Storage-Organizer-Steps-3TSHELF2-BLK/305850783> (Year: 2021).*

3-Tier Metal Mesh Multi-Purpose Kitchen Organizer, Mind Reader, hsn.com, author unlisted, published on Mar. 6, 2021 per wayback machine © 1999-2022 HSN, Inc., online, site visited Jun. 23, 2022. URL: <https://www.hsn.com/products/mind-reader-3-tier-metal-mesh-multi-purpose-kitchen-org/9897608#> (Year: 2021).*

* cited by examiner

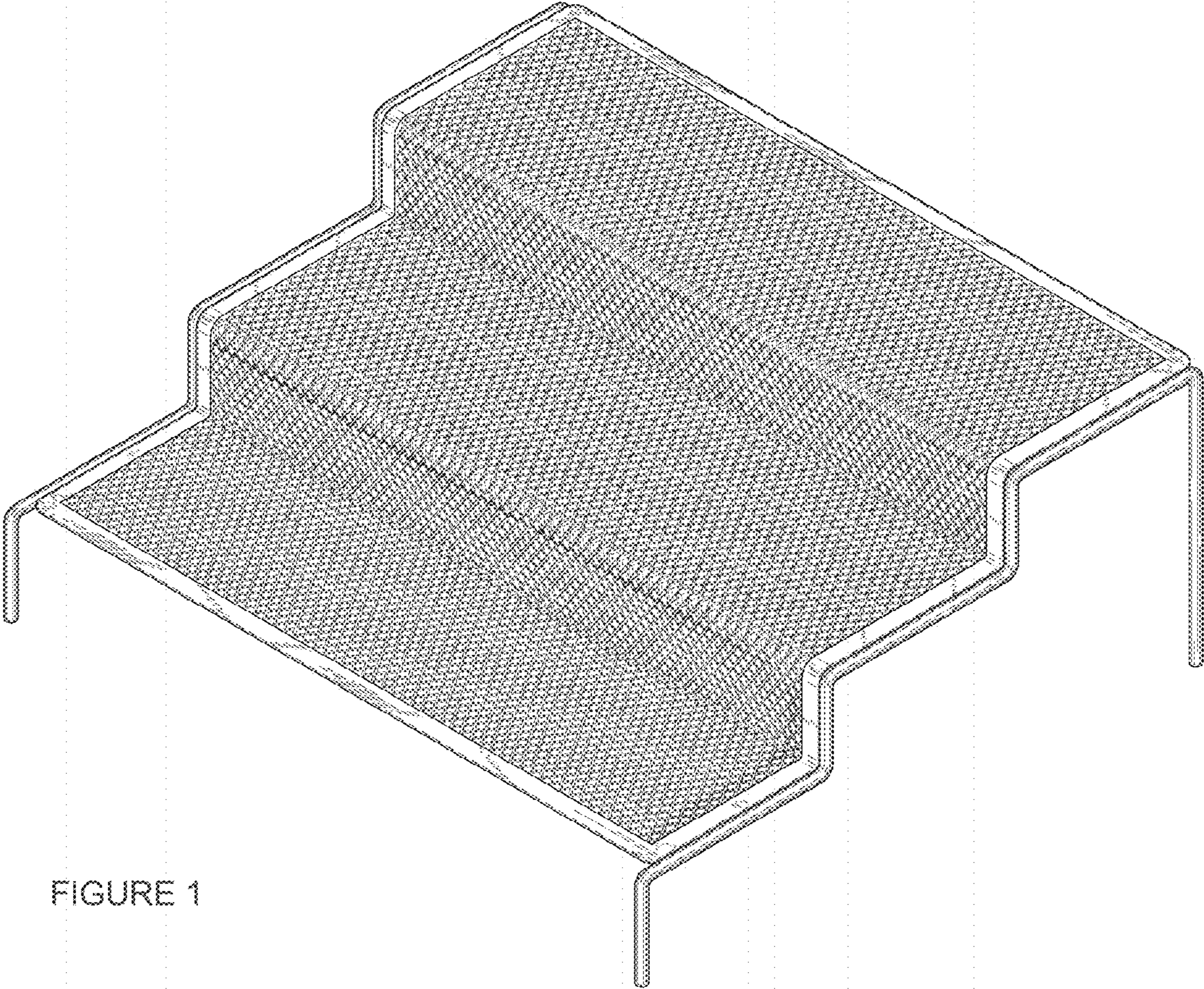


FIGURE 1

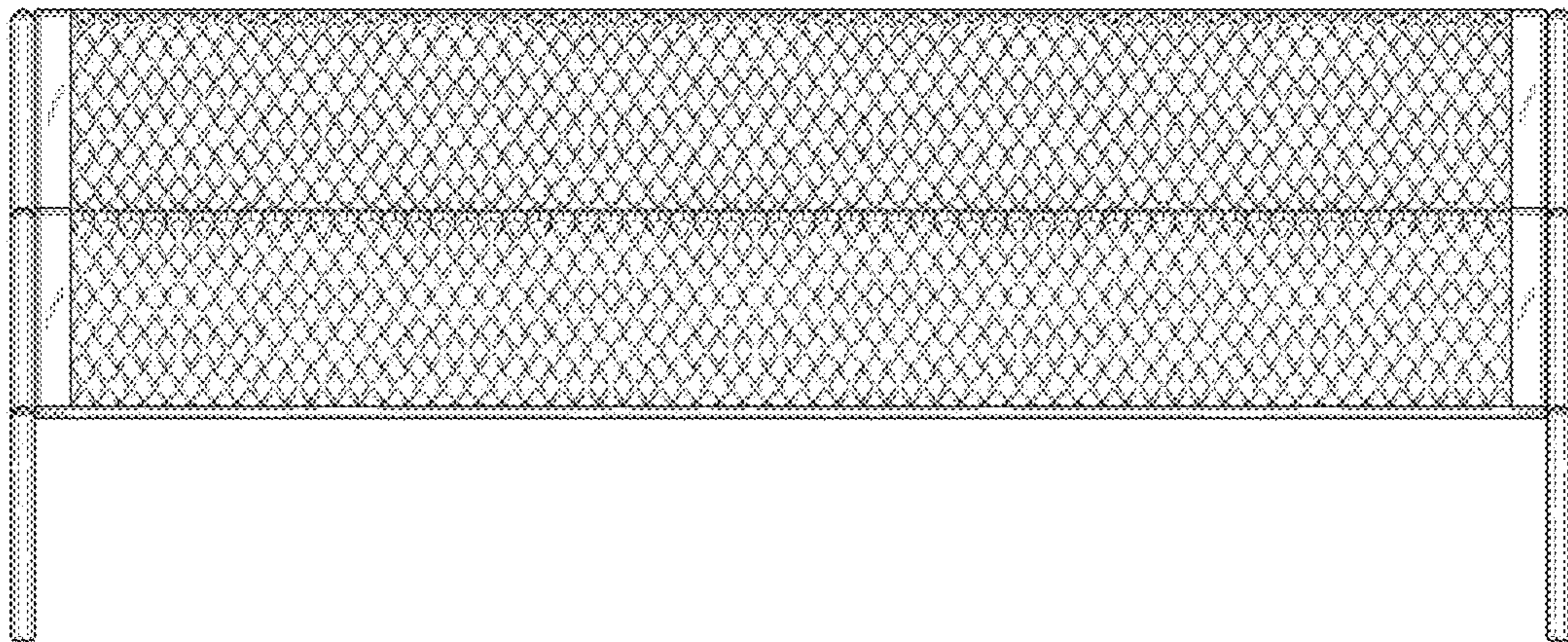


FIGURE 2

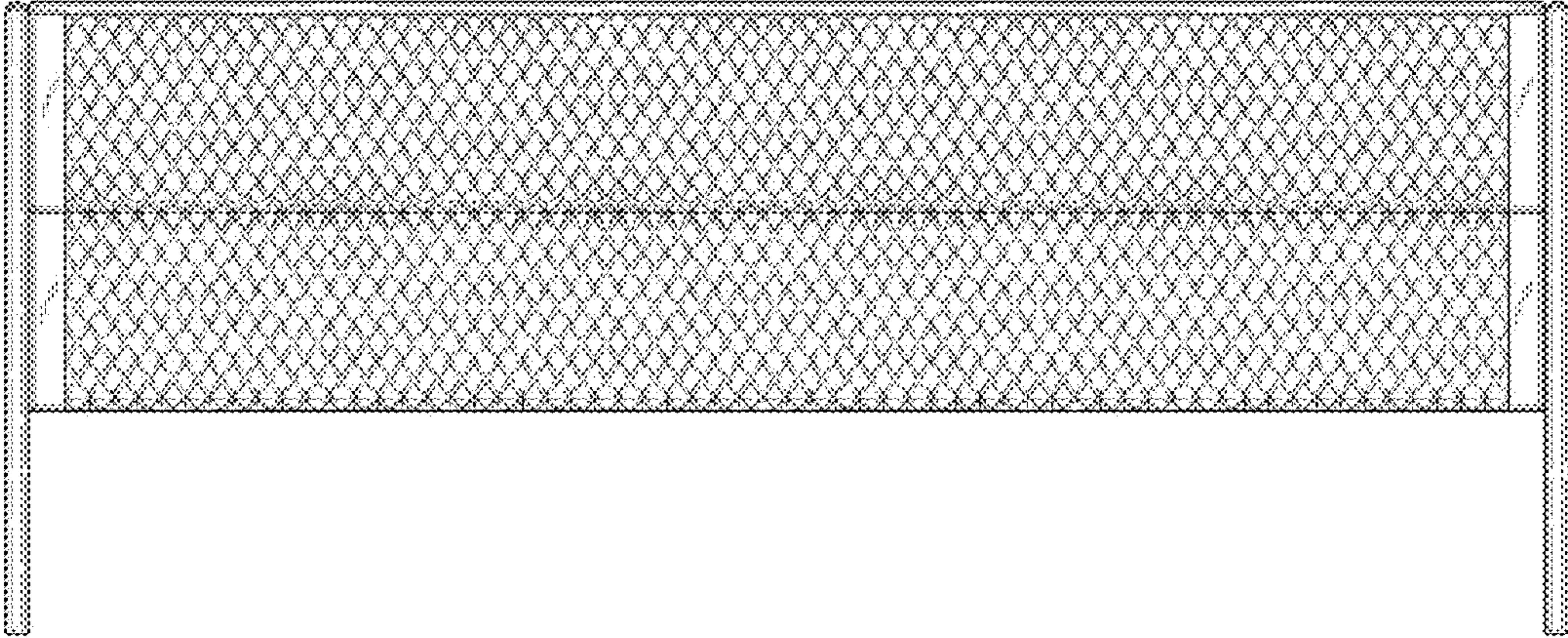


FIGURE 3

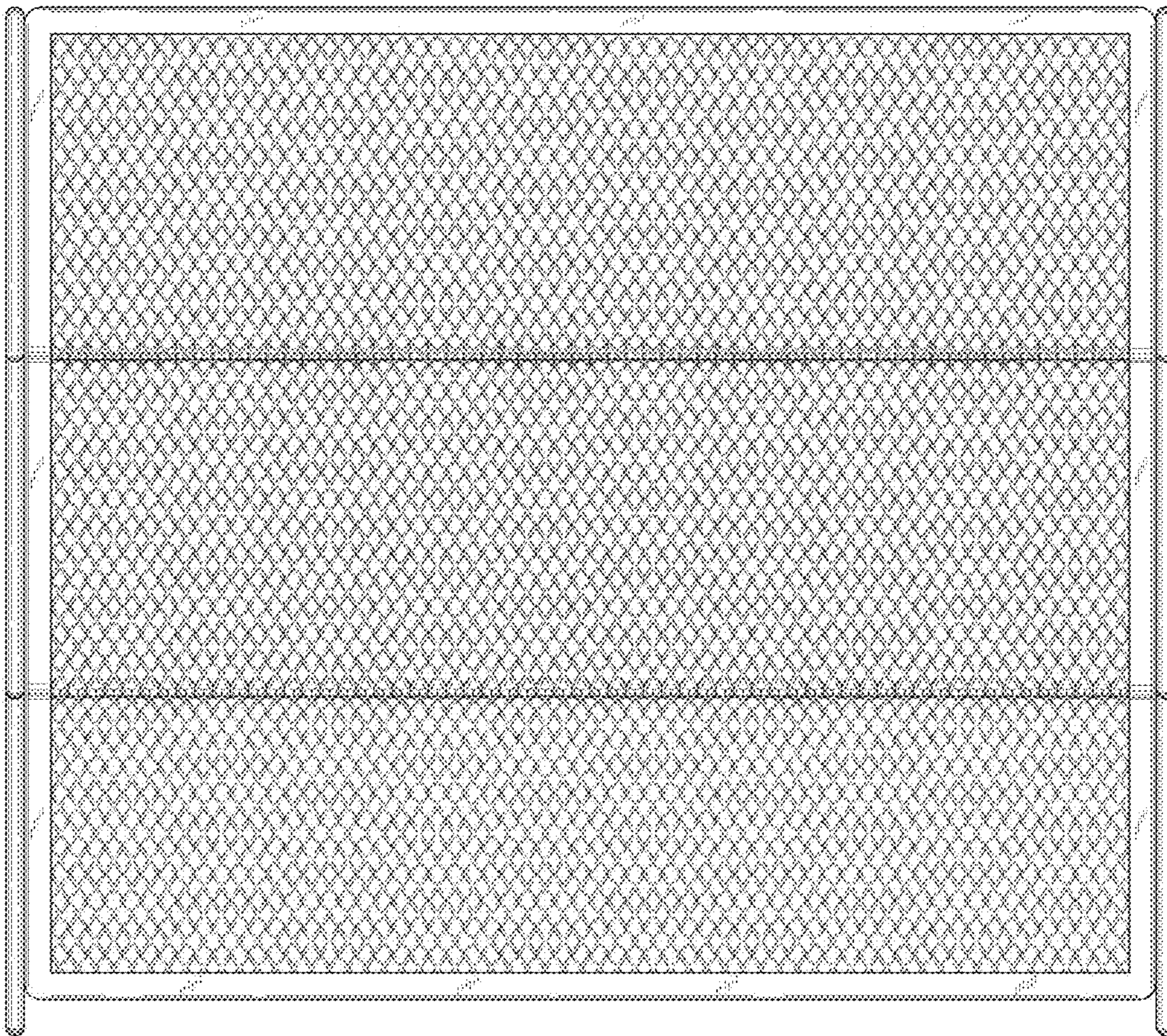


FIGURE 4

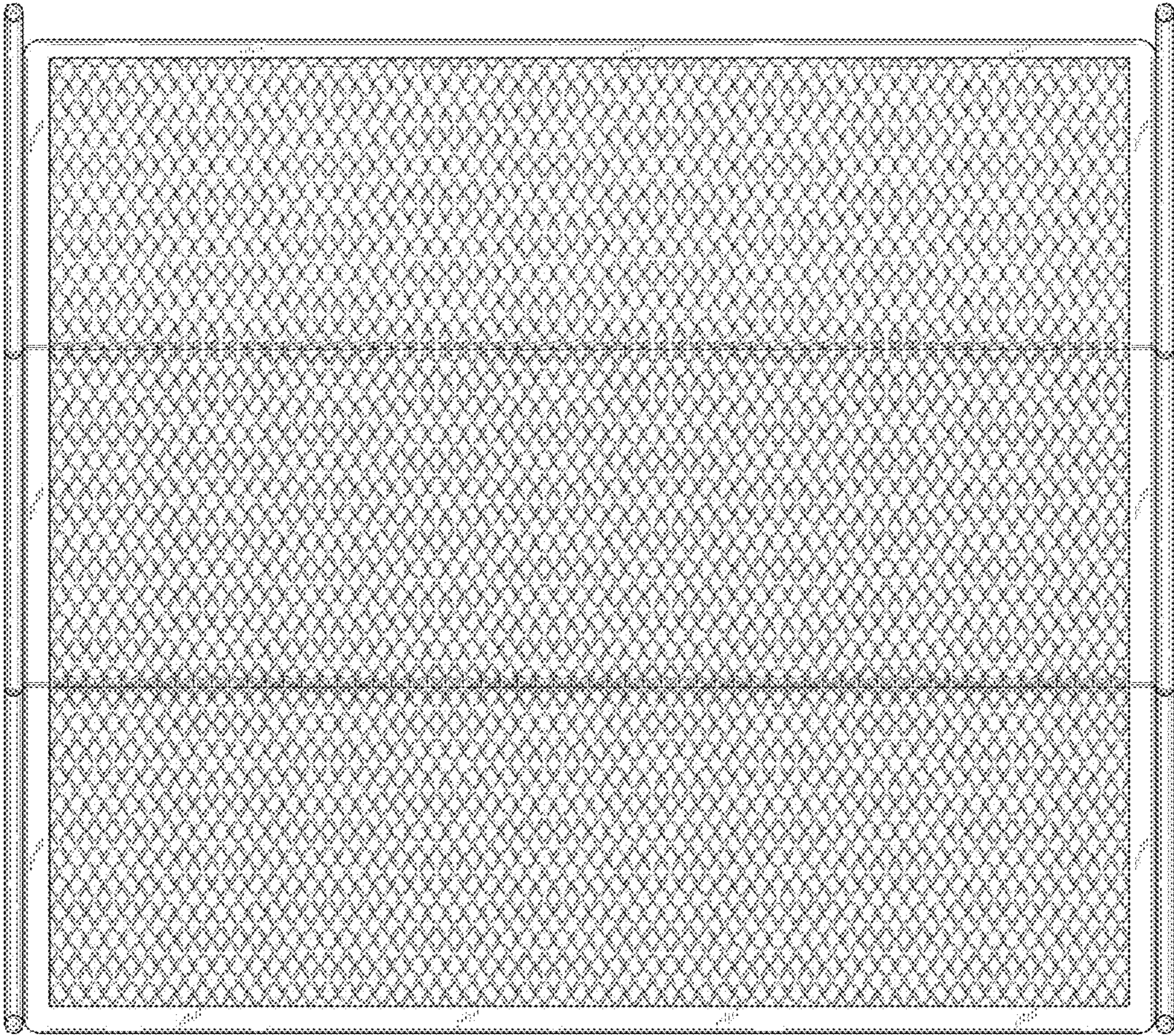


FIGURE 5

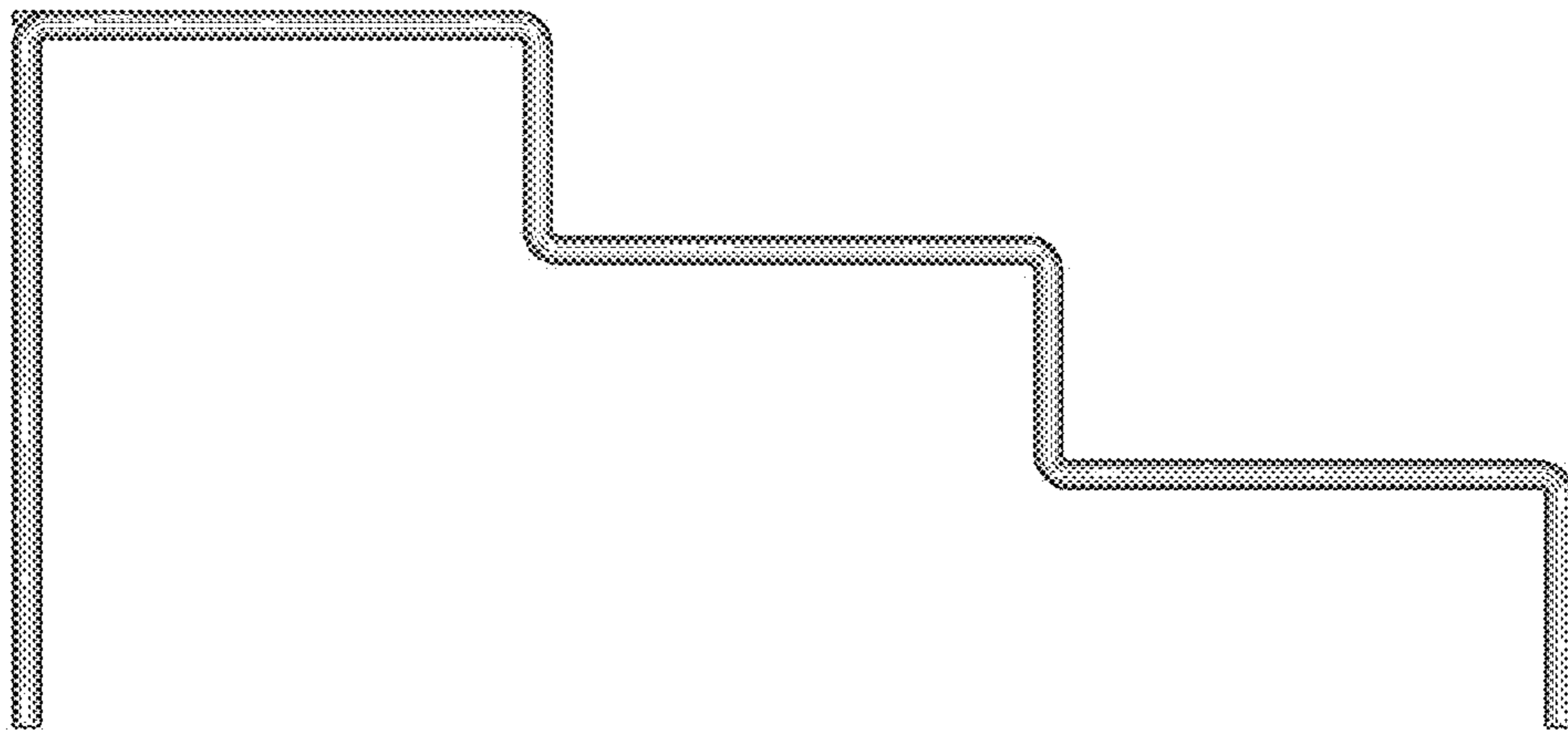


FIGURE 6

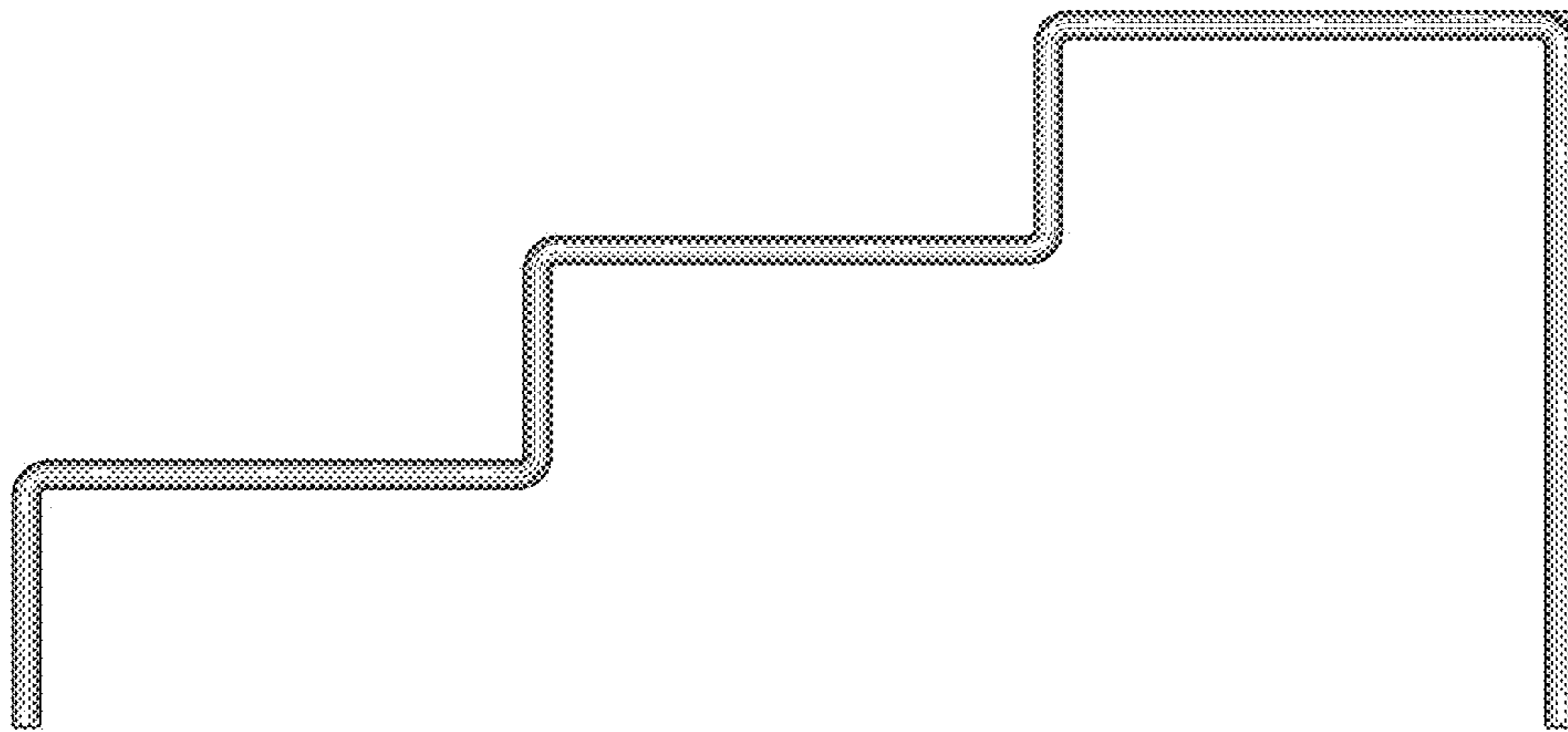


FIGURE 7