



US00D977912S

(12) **United States Design Patent** (10) **Patent No.:** **US D977,912 S**
Jenkins et al. (45) **Date of Patent:** **** Feb. 14, 2023**

(54) **TUMBLER**
(71) Applicant: **YETI Coolers, LLC**, Austin, TX (US)
(72) Inventors: **Cody Jenkins**, Austin, TX (US); **Liza Morris**, Austin, TX (US); **Dustin R. Bullock**, Austin, TX (US)
(73) Assignee: **YETI Coolers, LLC**, Austin, TX (US)
(**) Term: **15 Years**

D112,150 S 11/1938 Pershall
D114,536 S 5/1939 Hacmac
D121,154 S 6/1940 Bernhardt
(Continued)

FOREIGN PATENT DOCUMENTS

AU 2011211425 A1 9/2011
CA 2534232 A1 2/2005
(Continued)

OTHER PUBLICATIONS

F-32 [online] URL: <https://www.amazon.com/F-32-Handle-Available-PREVIOUS-Rambler/dp/B01EKKXO3A/> (site visited: Feb. 11, 2022) (Year: 2016).*

(Continued)

Primary Examiner — Jae Liang
Assistant Examiner — Tia Ruth-Renee Polidori
(74) *Attorney, Agent, or Firm* — Banner & Witcoff, Ltd.

(57) **CLAIM**

The ornamental design for a tumbler, as shown and described.

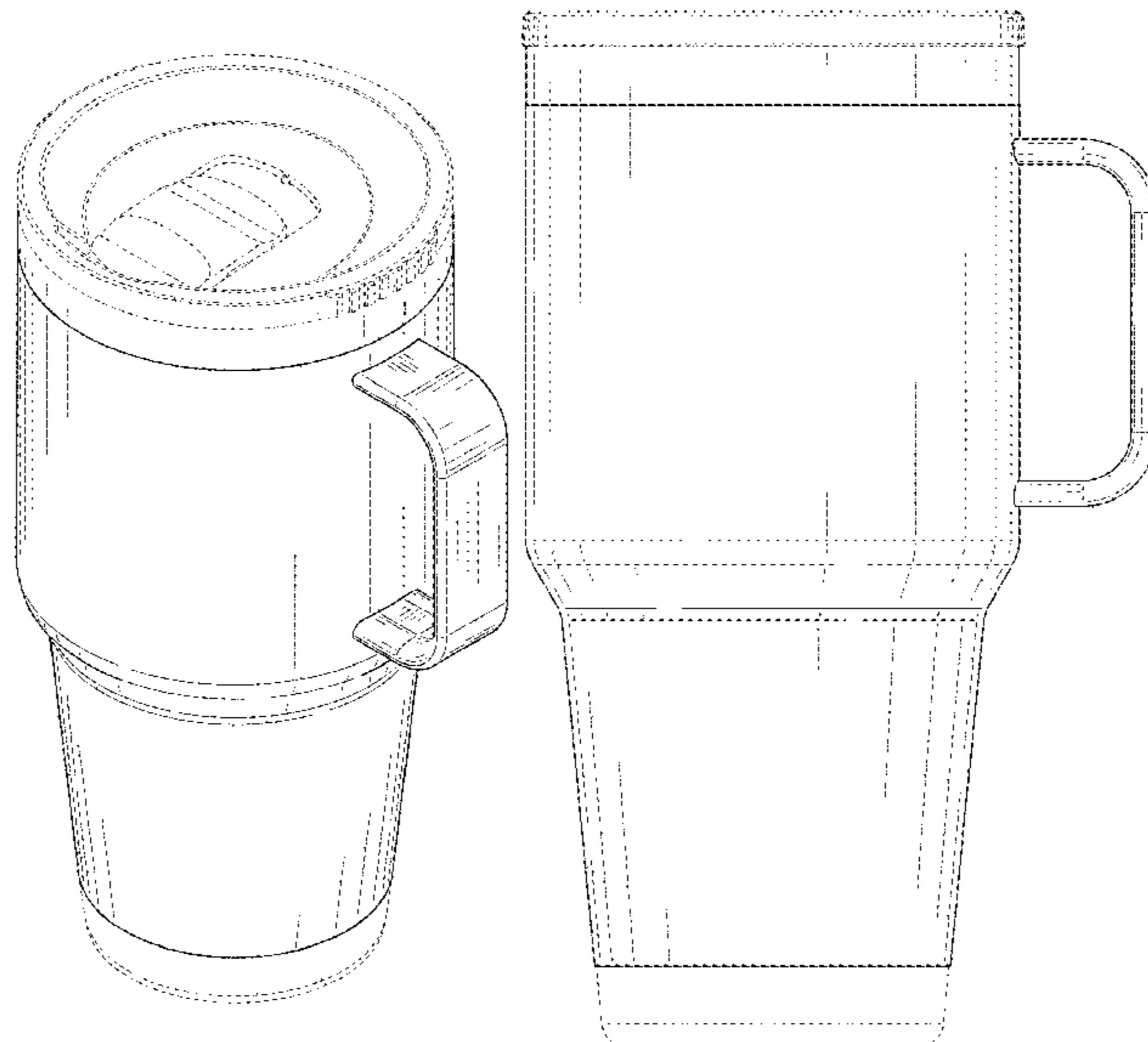
DESCRIPTION

FIG. 1 is a top, front, right perspective view of a tumbler showing our new design;
FIG. 2 is a top, rear, left perspective view thereof;
FIG. 3 is a front view thereof;
FIG. 4 is a rear view thereof;
FIG. 5 is a right side view thereof;
FIG. 6 is a left side view thereof;
FIG. 7 is a top view thereof; and,
FIG. 8 is a bottom view thereof.

The broken lines immediately adjacent to the shaded area define the bounds of the claimed design and form no part thereof. The broken lines depicting the remainder of the tumbler show features that form no part of the claimed design.

1 Claim, 8 Drawing Sheets

- (56) **References Cited**
U.S. PATENT DOCUMENTS
- | | | |
|-------------|--------|------------------|
| D2,440 S | 9/1866 | Matthews, Jr. |
| 604,514 A | 5/1898 | Belden |
| 899,290 A | 9/1908 | Bricker et al. |
| 1,133,420 A | 3/1915 | Young |
| D47,798 S | 9/1915 | Pick |
| 2,029,429 A | 2/1936 | Koons |
| 2,070,414 A | 2/1937 | Snell |
| 2,088,387 A | 7/1937 | Rice, Jr. et al. |
| D109,789 S | 5/1938 | Pershall |
| 2,128,466 A | 8/1938 | Machotka |



(56)

References Cited

U.S. PATENT DOCUMENTS

D121,644 S	7/1940	Ullman	5,208,951 A	5/1993	Aoki
2,215,402 A	9/1940	McDonald	D337,029 S	7/1993	McKechnie
2,304,214 A	12/1942	Straub	D346,092 S	4/1994	Van De Velde
D135,458 S	4/1943	Gutekunst	D357,387 S	4/1995	Davidson et al.
2,378,867 A	6/1945	Reichart	5,427,269 A	6/1995	Willbrandt
D157,491 S	2/1950	Heintze	5,433,337 A	7/1995	Willbrandt
D166,941 S	6/1952	Appleton	D362,369 S	9/1995	Bridges
2,643,021 A	6/1953	Freedman	5,462,189 A	10/1995	Pierce
D177,559 S	5/1956	Emmert	D370,384 S	6/1996	Shamis
2,762,621 A	9/1956	Zumwalt	5,531,353 A	7/1996	Ward et al.
D180,816 S	8/1957	Bergen et al.	D372,839 S	8/1996	Laib
2,871,051 A	1/1959	Nesslein et al.	D379,738 S	6/1997	Liming et al.
D186,555 S	11/1959	Hunt	D382,174 S	8/1997	Grimm
2,928,570 A	3/1960	Fitch	5,655,805 A	8/1997	Shaddy
2,981,562 A	4/1961	Long	D384,557 S	10/1997	Goza
3,107,029 A	10/1963	Rylander	D384,646 S	10/1997	Miller et al.
3,202,309 A	8/1965	Simpson	5,678,725 A	10/1997	Yamada et al.
3,261,633 A	7/1966	Sakuta	D387,620 S *	12/1997	Trombly A47G 19/2227 D7/510
3,342,370 A	9/1967	Johnson	D391,401 S	3/1998	Josephs
D209,308 S	11/1967	Schilling	D391,402 S	3/1998	Josephs
D209,533 S	12/1967	Cole	D391,403 S	3/1998	Josephs
D211,818 S	7/1968	Massey	5,727,253 A	3/1998	Wilkinson
3,458,164 A	7/1969	Massey	D393,547 S	4/1998	Josephs
D217,781 S	6/1970	Stone	5,753,323 A	5/1998	Andrus
3,679,253 A	7/1972	Simms	D395,238 S	6/1998	Freitas
3,682,352 A	8/1972	Doucette	D395,825 S	7/1998	Freitas
D229,006 S	11/1973	Sauey	D396,381 S	7/1998	Chung
3,938,690 A	2/1976	Butler	5,788,298 A	8/1998	Cheng
3,967,026 A	6/1976	Dalblom	5,799,369 A	9/1998	Schulein
3,979,011 A	9/1976	Schleicher	5,816,631 A	10/1998	Kochan
4,057,167 A	11/1977	Lee	D400,401 S	11/1998	Lynd
4,064,305 A	12/1977	Wallin	5,848,722 A	12/1998	Hanes
4,106,124 A	8/1978	Green	5,868,310 A	2/1999	Leszczynski
4,120,073 A	10/1978	Studebaker	D409,840 S	5/1999	Pretorius
4,127,915 A	12/1978	Logan et al.	D412,806 S	8/1999	Pierce
D251,175 S	2/1979	Logan et al.	5,972,479 A	10/1999	Lehman
D254,417 S	3/1980	DeMars et al.	D416,444 S	11/1999	Jorgensen
D255,858 S	7/1980	Ashton	D416,755 S	11/1999	Trombly
D256,418 S	8/1980	Corbett	D416,757 S	11/1999	Ginuntoli
D258,795 S	4/1981	Zamorski	5,984,156 A	11/1999	Bridges
4,291,082 A	9/1981	Stall	D417,365 S	12/1999	Huang
D265,159 S	6/1982	La Barbera	D417,589 S	12/1999	Parker
D265,279 S	7/1982	Wright	D417,819 S	12/1999	Kelly-Pollet
D265,880 S	8/1982	Craig	D425,374 S	5/2000	Besser et al.
4,375,488 A	3/1983	Hogan	6,061,828 A	5/2000	Josephs
4,493,863 A	1/1985	Karlsson	D427,853 S *	7/2000	Kohlhase D7/510
4,560,075 A	12/1985	Lu	D428,306 S	7/2000	Lee
4,570,817 A	2/1986	Hambleton et al.	D428,590 S	7/2000	Lagaay
D285,032 S	8/1986	Alonzo	D429,607 S	8/2000	Prim
D286,967 S	12/1986	Appel	6,102,458 A	8/2000	Scace
D287,451 S	12/1986	Schrock	D432,865 S	10/2000	Cohen
D288,667 S	3/1987	Miner	6,127,007 A	10/2000	Cox et al.
4,654,274 A	3/1987	DeMars	6,127,022 A	10/2000	Pretorius
D289,484 S	4/1987	Forquer et al.	6,135,312 A	10/2000	Chen et al.
4,671,988 A	6/1987	Dowell et al.	D433,876 S	11/2000	Freed
D293,293 S	12/1987	Isles	D433,877 S *	11/2000	Bickert D7/394
4,746,032 A	5/1988	Huang	6,149,028 A	11/2000	Yu
D297,596 S	9/1988	Marquart, Sr.	D436,294 S *	1/2001	Marck D7/532
D297,786 S	9/1988	Braungardt	D436,295 S	1/2001	Furman et al.
D298,200 S	10/1988	Block et al.	D437,187 S	2/2001	Cheng
4,819,829 A	4/1989	Rosten et al.	6,216,909 B1	4/2001	Lin
D301,289 S	5/1989	McIlhinney	6,237,801 B1	5/2001	Liu
D301,803 S	6/1989	McIlhinney	6,241,415 B1	6/2001	Stark
D301,804 S	6/1989	McIlhinney	D444,349 S	7/2001	Lin
D301,805 S	6/1989	McIlhinney	6,260,732 B1	7/2001	Khodush
4,848,625 A	7/1989	Lucia	D446,687 S	8/2001	Furman et al.
4,869,390 A *	9/1989	Kennedy A47G 19/2205 220/709	D448,620 S	10/2001	Neal
D307,743 S	5/1990	Pierce et al.	D449,963 S	11/2001	Neal
D314,708 S	2/1991	DeCoster	6,332,557 B1	12/2001	Moran
4,993,675 A	2/1991	Walker	6,352,235 B2	3/2002	Cizek
4,997,124 A	3/1991	Kitabatake et al.	6,360,913 B1	3/2002	Bruinsma et al.
5,066,529 A	11/1991	Huber et al.	D455,610 S	4/2002	Bridges
5,168,793 A	12/1992	Padamsee	D455,613 S	4/2002	Bruinsma et al.
D334,869 S	4/1993	Mills	D456,212 S	4/2002	Bridges
			D456,578 S	4/2002	Smith et al.
			D457,389 S	5/2002	Snell
			D457,395 S	5/2002	Gluck
			D457,786 S	5/2002	Wrob

(56)

References Cited

U.S. PATENT DOCUMENTS

6,382,449 B1 *	5/2002	Kazmierski	B65D 21/086 220/4.03	D530,153 S	10/2006	Karp	
D458,081 S	6/2002	Bodum		D531,033 S	10/2006	Schmidtner et al.	
D458,082 S	6/2002	Gluck		D531,451 S	11/2006	Bin	
6,409,038 B1	6/2002	Karp		D531,454 S	11/2006	Zerillo et al.	
RE37,773 E	7/2002	Trombley		D533,402 S	12/2006	Bin	
D460,324 S *	7/2002	Norris	D7/533	D533,403 S	12/2006	Bhavnani	
D460,895 S	7/2002	Lin		D533,747 S *	12/2006	Jin	D7/533
D461,679 S	8/2002	Robinson et al.		D533,748 S	12/2006	Bresler	
D462,575 S	9/2002	Gluck		D533,779 S	12/2006	Schmidtner et al.	
D462,879 S	9/2002	Martens		D534,069 S	12/2006	Ohno et al.	
6,450,363 B1	9/2002	Lin		D534,396 S	1/2007	Kramer	
D463,715 S	10/2002	Dretzka		D536,213 S	2/2007	Schuler et al.	
D465,132 S	11/2002	Janky et al.		D536,214 S	2/2007	Schuler et al.	
D466,371 S	12/2002	Parker		D537,676 S	3/2007	Kingsley	
D469,309 S	1/2003	Janky		D537,677 S	3/2007	Bresler	
D469,658 S	2/2003	Norris et al.		D538,050 S	3/2007	Tardif	
D471,763 S	3/2003	Hurlbut et al.		7,194,951 B1 *	3/2007	Porter	A47J 31/44 99/287
D472,101 S	3/2003	Janky		7,195,137 B2	3/2007	Belcastro	
D472,425 S *	4/2003	Hurlbut	D7/533	D539,609 S	4/2007	Ying et al.	
D474,613 S	5/2003	Hexels		D541,105 S	4/2007	Jin	
D474,897 S	5/2003	Clausen et al.		7,207,538 B2	4/2007	Kent-Fawkes	
6,557,751 B2	5/2003	Puerini		D544,302 S	6/2007	Gibbons	
D475,891 S	6/2003	Bin		D545,128 S	6/2007	Liu et al.	
D476,193 S	6/2003	Janky		D545,129 S	6/2007	Tien	
D477,185 S	7/2003	Janky		D545,624 S	7/2007	Tien	
D477,532 S	7/2003	Wong		D546,125 S	7/2007	Bhavnani	
6,588,064 B2	7/2003	Baum		D548,012 S	8/2007	Tien	
6,626,326 B2	9/2003	Murakami		D548,155 S	8/2007	Eskandry	
D481,590 S	11/2003	Lin		D548,522 S	8/2007	Greenspon	
D481,591 S	11/2003	Lin		D548,523 S	8/2007	Greenspon	
D482,238 S	11/2003	Lin		D548,599 S	8/2007	Blasko	
D482,933 S	12/2003	Norris et al.		D550,032 S	9/2007	Tien	
D483,165 S	12/2003	Dretzka		D550,038 S	9/2007	Trombly	
D483,226 S	12/2003	Belton et al.		D550,503 S	9/2007	Liu	
D483,995 S	12/2003	Otake		D552,932 S	10/2007	Carlson	
D484,361 S	12/2003	Jeung		D553,440 S	10/2007	Bodum	
6,658,701 B1	12/2003	DeHart et al.		D553,910 S	10/2007	Bodum	
D485,685 S	1/2004	Zupkofska et al.		7,275,653 B2	10/2007	Tedford, Jr.	
D485,992 S	2/2004	Zupkofska et al.		7,284,777 B1	10/2007	Kraemer	
D486,697 S	2/2004	Copeland		D554,431 S	11/2007	Tien	
D486,996 S	2/2004	Karp		D555,430 S	11/2007	Tien	
D486,997 S	2/2004	Janky		D557,567 S	12/2007	Gronikowski et al.	
D488,672 S	4/2004	Oas		D557,902 S	12/2007	Parrish	
D488,673 S	4/2004	Farce		D558,523 S	1/2008	Bhavnani	
D489,577 S	5/2004	Giampavolo		D560,512 S	1/2008	Safar	
D490,274 S	5/2004	Irvine		D560,915 S	2/2008	Crye et al.	
6,729,665 B1	5/2004	Posey et al.		D561,535 S	2/2008	Jin	
D491,136 S	6/2004	Zanzig et al.		D561,590 S	2/2008	Kingsley	
D491,371 S	6/2004	Livingston		7,328,789 B2	2/2008	Bohanan, Jr. et al.	
D491,372 S	6/2004	Dugas et al.		D563,725 S	3/2008	Alviar et al.	
6,752,287 B1	6/2004	Lin		D564,300 S	3/2008	Liu	
D493,068 S	7/2004	Slater et al.		D565,901 S	4/2008	Edelstein et al.	
D497,515 S *	10/2004	Bydalek	D7/394	D566,471 S	4/2008	Bodum	
D498,979 S	11/2004	Bhavnani		D567,590 S	4/2008	Bodum	
6,824,003 B1	11/2004	Wong		D568,107 S	5/2008	Bhavnani	
D501,091 S	1/2005	McGahee		D568,685 S	5/2008	Bodum	
D502,633 S	3/2005	Liu		D569,182 S	5/2008	Homma	
6,864,462 B2	3/2005	Sanoner et al.		D569,183 S	5/2008	Blake	
D505,792 S	6/2005	Stieneker		D569,188 S	5/2008	Tornqvist	
D507,458 S	7/2005	Allen et al.		D571,152 S	6/2008	Tien	
6,933,023 B2	8/2005	Clausen et al.		D571,153 S	6/2008	Lopez	
D511,653 S	11/2005	Oas		D571,154 S	6/2008	Pearson	
6,962,265 B1	11/2005	Zhang		D572,083 S	7/2008	Tien	
D512,269 S	12/2005	Trombly		D572,473 S	7/2008	Tuttle	
D512,272 S	12/2005	Avrish		D572,474 S	7/2008	Tuttle	
D512,275 S	12/2005	Kent-Fawkes		D572,475 S	7/2008	Tuttle	
6,979,031 B2	12/2005	Coppotelli et al.		D573,839 S	7/2008	Sun	
D515,358 S	2/2006	Orr et al.		D573,840 S	7/2008	Kramer	
D518,963 S	4/2006	Peterson		D577,260 S	9/2008	Bodum	
D522,855 S	6/2006	Liebe et al.		7,455,191 B2	11/2008	Bhavnani	
D523,692 S	6/2006	Meehan		D582,206 S	12/2008	Fuller	
D523,693 S	6/2006	Bodum		D583,191 S	12/2008	Wong	
D524,607 S	7/2006	Kent-Fawkes		D584,102 S	1/2009	Valderrama et al.	
7,104,413 B2	9/2006	Liu		D584,106 S	1/2009	Wong	
				7,476,438 B2	1/2009	Gorres	
				D586,182 S	2/2009	Trombly	
				D587,523 S	3/2009	Moon	
				D588,912 S	3/2009	Christensen et al.	

(56)

References Cited

U.S. PATENT DOCUMENTS

D589,747 S	4/2009	Wong	8,215,519 B2	7/2012	Steininger
D589,751 S	4/2009	Liu et al.	D664,812 S	8/2012	Bickert et al.
D591,103 S	4/2009	Wong	D666,052 S	8/2012	Trombly
7,513,380 B2	4/2009	Canedo	D667,268 S	9/2012	Pallotto
D591,556 S	5/2009	Fuller	D667,272 S	9/2012	Fishman et al.
D592,015 S	5/2009	Carpenter	D669,306 S	10/2012	Barreto et al.
D592,058 S	5/2009	Rapaport	D669,310 S	10/2012	Barreto et al.
D592,861 S	5/2009	Crye et al.	D669,735 S	10/2012	Wong
7,527,310 B2	5/2009	Shaskey, Sr.	D670,085 S	11/2012	Brookman et al.
D593,802 S	6/2009	Baek	D670,525 S	11/2012	Fallon et al.
D593,859 S	6/2009	Barnum	D672,157 S	12/2012	Brookman
D594,699 S	6/2009	Spivey et al.	8,340,358 B2	12/2012	Cincotti et al.
D595,133 S	6/2009	Lewis	D675,063 S	1/2013	Wahl
D598,747 S	8/2009	Caldwell	8,364,542 B2	1/2013	Grael et al.
D600,073 S	9/2009	Carreno	D677,122 S	3/2013	Liu
D601,246 S	9/2009	Stonebraker	8,397,934 B2	3/2013	Lai
7,581,704 B1	9/2009	Pugsley	8,397,940 B2	3/2013	Steininger
7,581,770 B2	9/2009	Jones	8,403,166 B2	3/2013	Steininger
7,591,389 B2	9/2009	Wong	D679,099 S	4/2013	Johnson et al.
D602,258 S	10/2009	Simione et al.	D680,378 S	4/2013	Romley
7,604,270 B1	10/2009	McCarthy	D681,162 S	4/2013	Kruse et al.
D604,102 S	11/2009	Pearson	8,420,206 B2	4/2013	Bernegger et al.
7,611,029 B2	11/2009	Wong	8,484,809 B2	7/2013	Fiedler
D609,054 S	2/2010	Gilbert	8,495,803 B2	7/2013	Fiedler
D609,526 S	2/2010	Tuttle	8,499,951 B1	8/2013	McDonald et al.
D609,534 S	2/2010	Traficante et al.	D693,176 S	11/2013	Kaiser
7,686,183 B2	3/2010	Ziegler	D693,583 S	11/2013	Georgevitch
D613,554 S	4/2010	Koennecke	D693,649 S	11/2013	Yeung
D615,358 S	5/2010	Wahl	D696,586 S	12/2013	Huang
D615,366 S	5/2010	Berezansky	8,608,019 B2	12/2013	Wren
D615,762 S	5/2010	Kimmel	D697,319 S	1/2014	Brookman et al.
D616,248 S	5/2010	George	D698,200 S	1/2014	Lauwagie
D617,640 S	6/2010	Jones	8,636,167 B2	1/2014	Hajichristou et al.
D618,050 S	6/2010	Eisenhardt	8,640,904 B2	2/2014	Steininger et al.
D618,964 S	7/2010	Eisenhardt	D700,440 S	3/2014	Johnston
D619,419 S	7/2010	McClellan et al.	8,684,430 B1	4/2014	Brandon
D620,541 S	7/2010	Timbers	D704,986 S	5/2014	Manies
D621,659 S	8/2010	Liu	D705,012 S	5/2014	Lapsker
D622,548 S	8/2010	Jensen et al.	D709,328 S	7/2014	Ross
D625,951 S	10/2010	Baek	D709,737 S	7/2014	Weinert et al.
D628,086 S	11/2010	Tanner et al.	D709,738 S	7/2014	Weinert et al.
D629,623 S	12/2010	Lampe	D711,280 S	8/2014	Tannenbaum
D629,653 S	12/2010	Gullickson et al.	D712,701 S	9/2014	Boroski
7,845,510 B2	12/2010	Schmidtner et al.	D713,202 S	9/2014	Lin
7,850,037 B2	12/2010	Schmidtner et al.	D713,686 S *	9/2014	Eyal D7/509
D631,284 S	1/2011	Fuller	D715,100 S	10/2014	Eyal
D631,539 S	1/2011	Stonebraker	8,871,327 B2	10/2014	Tsai
7,874,447 B2	1/2011	Schmidtner et al.	D716,560 S	11/2014	Boghosian
D631,699 S	2/2011	Moreau	D717,103 S	11/2014	Wilbur
D633,198 S	2/2011	Boyd	D717,605 S	11/2014	Kristinik
7,878,365 B1	2/2011	Meehan	D717,606 S	11/2014	Kristinik
D636,640 S	4/2011	Latham	D718,087 S	11/2014	Marasligiller et al.
D637,286 S	5/2011	Boyd	D719,408 S	12/2014	Weber
D638,535 S	5/2011	Stonebraker	D720,183 S	12/2014	Chiang
7,950,541 B2	5/2011	Holcomb et al.	D720,187 S	12/2014	Romley
D639,423 S	6/2011	Boyd	8,899,644 B2	12/2014	Hancey
D640,062 S	6/2011	Shevtsova et al.	8,919,593 B2	12/2014	Sinacori et al.
D641,557 S	7/2011	Valente et al.	8,919,603 B2	12/2014	Greene
D643,289 S	8/2011	Harlan	8,925,756 B2	1/2015	Tarapata et al.
D647,760 S	11/2011	Pearson	D725,970 S	4/2015	Karussi et al.
D648,599 S	11/2011	Watanabe et al.	9,005,741 B1	4/2015	Hoffer et al.
8,061,541 B2	11/2011	Trumpp et al.	D728,311 S	5/2015	Eyal
D651,045 S	12/2011	Eyal	D728,313 S	5/2015	Bo
D652,248 S	1/2012	Valderrama et al.	D729,524 S	5/2015	Brencick
D652,256 S	1/2012	Eyal	D729,581 S	5/2015	Boroski
D656,323 S	3/2012	Jeronimo	9,021,662 B1	5/2015	Jones
D656,742 S	4/2012	Culler et al.	9,022,239 B2	5/2015	Mackenzie et al.
D656,743 S	4/2012	Culler et al.	9,038,850 B1	5/2015	Wilson
D657,961 S	4/2012	Brookman	D730,696 S	6/2015	Nemeth et al.
D658,922 S	5/2012	Fallon et al.	D731,251 S	6/2015	Lane
D659,474 S *	5/2012	Wahl D7/510	D732,338 S	6/2015	Boroski
D660,082 S	5/2012	Wahl	D732,343 S	6/2015	Romley
D663,959 S	7/2012	Brookman	D732,895 S	6/2015	McClellan
D663,960 S	7/2012	Jeronimo	9,062,938 B1	6/2015	McClellan
D664,001 S	7/2012	Liu	D734,092 S	7/2015	McIntosh et al.
			D734,096 S	7/2015	Kristinik
			9,074,849 B1	7/2015	George et al.
			D736,564 S	7/2015	McIntosh et al.
			9,096,148 B2	8/2015	Thornton et al.
				8/2015	Fiedler

(56)

References Cited

U.S. PATENT DOCUMENTS

D740,073 S	10/2015	Zorovich et al.	D850,191 S	6/2019	Jacobsen
D740,077 S	10/2015	Strepkoff	D850,192 S	6/2019	Jacobsen
D740,618 S	10/2015	Knoll	10,329,070 B2	6/2019	Wengerd
D742,173 S	11/2015	Perman	D867,057 S	11/2019	Spivey et al.
D742,177 S	11/2015	Morris, II et al.	D867,066 S	11/2019	Sletten
D743,209 S *	11/2015	Maas D7/532	10,486,868 B2	11/2019	Spivey et al.
D744,280 S	12/2015	Chiang	D871,149 S	12/2019	Kaiser
D744,286 S	12/2015	Morris, II et al.	D872,537 S	1/2020	Guccione
D745,324 S	12/2015	Malaspino	D873,610 S	1/2020	Stanton
D751,338 S	3/2016	Seiders et al.	D873,611 S	1/2020	Stanton
D751,339 S	3/2016	Seiders et al.	D875,471 S	2/2020	Cheng et al.
D751,340 S	3/2016	Seiders et al.	D880,256 S *	4/2020	Silsby D7/629
D751,341 S	3/2016	Seiders et al.	D882,343 S	4/2020	Rane et al.
D758,792 S	6/2016	Karussi	D886,526 S	6/2020	Seiders et al.
D761,619 S	7/2016	Seiders et al.	10,676,251 B2	6/2020	Krafft
D761,625 S	7/2016	Engler et al.	10,687,644 B1 *	6/2020	Moore F21V 33/0004
D774,785 S	12/2016	Clarke et al.	10,689,166 B1	6/2020	Cheng
D776,980 S	1/2017	Thun et al.	D890,573 S	7/2020	Jacobsen
D781,602 S	3/2017	Taylor	D891,182 S	7/2020	Lane et al.
D790,272 S	6/2017	Han	D895,370 S *	9/2020	Hamilton D7/533
D790,866 S	7/2017	Conk	D896,589 S	9/2020	Smith
D790,913 S	7/2017	Stover et al.	D899,190 S	10/2020	Jacobsen
D790,921 S	7/2017	Lapsker	D899,191 S *	10/2020	Jacobsen D7/511
D791,543 S	7/2017	Mulhauser et al.	D899,192 S *	10/2020	Yu D7/510
D795,643 S	8/2017	Barlow	D899,857 S *	10/2020	Jacobsen D7/511
D796,256 S	9/2017	Stover et al.	D899,858 S	10/2020	Jacobsen
D797,510 S *	9/2017	Ke D7/532	D899,862 S	10/2020	Rane et al.
9,757,536 B2	9/2017	Abt et al.	10,791,858 B2	10/2020	Robertson
9,758,290 B2	9/2017	Huang	D904,125 S	12/2020	Jacobsen
D798,716 S	10/2017	Fitchell	10,870,522 B2	12/2020	Lane
9,782,029 B1	10/2017	FitzSimons	D909,818 S	2/2021	Hunter et al.
D801,746 S	11/2017	Thuma et al.	D911,779 S	3/2021	Hunter et al.
D802,362 S	11/2017	Spivey et al.	D915,827 S *	4/2021	Fang D7/510
9,815,076 B2	11/2017	Schulz et al.	D917,970 S	5/2021	Bullock et al.
D804,905 S	12/2017	Seiders et al.	D934,633 S *	11/2021	Hunter D7/510
9,845,181 B2	12/2017	Abraham	D935,278 S	11/2021	Hunter et al.
D808,218 S *	1/2018	Seiders D7/510	D939,278 S	12/2021	Vierck
D808,664 S	1/2018	Bauer	D943,354 S *	2/2022	Powell D7/532
D808,722 S *	1/2018	Hill D7/510	D944,600 S *	3/2022	Pisarevsky D7/608
D808,733 S	1/2018	Spivey et al.	D947,613 S	4/2022	Wahl
D810,511 S	2/2018	Harrington, III et al.	D955,173 S	6/2022	Smith et al.
9,889,968 B2	2/2018	Morewitz et al.	D958,602 S	7/2022	Jacob
D811,817 S	3/2018	Harrington, III et al.	D960,645 S	8/2022	Ji
D812,979 S	3/2018	Seiders et al.	D960,647 S	8/2022	Yang
D813,605 S	3/2018	Seiders et al.	D963,410 S	9/2022	Giles
D814,240 S	4/2018	Kabalin	D964,102 S	9/2022	Jenkins et al.
D814,242 S *	4/2018	Seiders D7/532	2001/0025835 A1	10/2001	Costin
D814,870 S *	4/2018	Spivey D7/533	2002/0066758 A1	6/2002	Fadal et al.
D815,893 S	4/2018	Seiders et al.	2002/0094736 A1	7/2002	Hexels
D815,910 S	4/2018	Bo	2004/0040962 A1	3/2004	Bielecki et al.
D817,094 S	5/2018	Silsby et al.	2004/0187265 A1	9/2004	Ho
D817,101 S	5/2018	Kestenbaum et al.	2005/0045643 A1	3/2005	Ghanem
D819,406 S	6/2018	Rivera	2005/0098565 A1	5/2005	Liu
D820,044 S	6/2018	Jenkins et al.	2005/0121015 A1	6/2005	Postorivo
D820,045 S	6/2018	Harrington, III et al.	2005/0161145 A1	7/2005	Record
D821,151 S	6/2018	Lapsker	2005/0211712 A1	9/2005	Moran
D822,440 S	7/2018	Kuh et al.	2005/0218109 A1	10/2005	Semersky et al.
D823,062 S	7/2018	Goodwin et al.	2005/0257308 A1	11/2005	Willis
D824,212 S	7/2018	Seiders et al.	2006/0127570 A1	6/2006	Casburn et al.
10,026,535 B2	7/2018	Bohannon	2006/0175506 A1	8/2006	Lan
D825,993 S *	8/2018	Sadhvani D7/532	2006/0201945 A1	9/2006	Tedford
D827,378 S	9/2018	Mulhauser et al.	2007/0012697 A1	1/2007	Holcomb et al.
D828,724 S *	9/2018	Wall D7/532	2007/0170184 A1	7/2007	Canedo
D830,127 S	10/2018	Rohe	2007/0215625 A1	9/2007	Schmidtner et al.
D830,770 S	10/2018	Verhoeven	2007/0272650 A1	11/2007	Kishi et al.
D831,427 S	10/2018	Thompson	2007/0295738 A1	12/2007	Hussain
D833,227 S	11/2018	Kehrein	2008/0006643 A1	1/2008	Ma
D833,817 S	11/2018	Sletten	2008/0012368 A1	1/2008	Kent-Fawkes
10,124,942 B2	11/2018	Seiders et al.	2008/0023434 A1	1/2008	Takayama
D837,601 S	1/2019	Silsby	2008/0073343 A1	3/2008	Shadrach et al.
D839,049 S	1/2019	Seiders et al.	2008/0073347 A1	3/2008	Shadrach
D842,028 S	3/2019	Melanson et al.	2008/0087264 A1	4/2008	Postorivo
D842,038 S	3/2019	Seiders et al.	2008/0101056 A1	5/2008	Bhavnani
10,232,992 B2	3/2019	Seiders et al.	2009/0008399 A1	1/2009	Mayled et al.
10,232,993 B2	3/2019	Seiders et al.	2009/0065469 A1	3/2009	McClellan et al.
			2010/0088797 A1	4/2010	Simione et al.
			2010/0173041 A1	7/2010	Olivier
			2010/0200590 A1	8/2010	Shadrach, III et al.
			2010/0206874 A1	8/2010	Masurier et al.

(56)

References Cited

U.S. PATENT DOCUMENTS

2010/0251119	A1	9/2010	Geppert et al.	CN	3436801	4/2005
2011/0007960	A1	1/2011	Nireki	CN	2706112	Y 6/2005
2011/0079601	A1	4/2011	Steininger	CN	3477483	9/2005
2011/0132907	A1	6/2011	Hajichristou et al.	CN	3511916	3/2006
2011/0204017	A1	8/2011	O'Sullivan	CN	3511920	3/2006
2012/0012585	A1	1/2012	Sinacori et al.	CN	3513127	3/2006
2012/0064311	A1	3/2012	Picciotto	CN	3654186	6/2007
2012/0074155	A1	3/2012	Yeung	CN	101037153	A 9/2007
2012/0080429	A1	4/2012	Steininger	CN	300734316	1/2008
2012/0080456	A1	4/2012	Steininger	CN	300794415	6/2008
2012/0205371	A1	8/2012	Lee	CN	300973246	8/2009
2012/0261408	A1	10/2012	White	CN	301002085	9/2009
2012/0305558	A1	12/2012	Steininger	CN	301303977	8/2010
2012/0305559	A1	12/2012	Steininger	CN	301355584	9/2010
2012/0305563	A1	12/2012	Steininger	CN	302004094	7/2012
2012/0312816	A1	12/2012	Barreto et al.	CN	102802462	A 11/2012
2013/0098932	A1	4/2013	Hunt	CN	302228770	12/2012
2013/0140316	A1	6/2013	Flowers et al.	CN	302251194	12/2012
2013/0186849	A1	7/2013	Iwashita	CN	302536044	8/2013
2013/0213978	A1	8/2013	Libourel et al.	CN	302595895	10/2013
2013/0320013	A1	12/2013	Bratsch	CN	302595896	10/2013
2014/0034080	A1	2/2014	Paquet et al.	CN	302599017	10/2013
2014/0117016	A1	5/2014	Hodge	CN	302599017	10/2013
2014/0186507	A1	7/2014	Wales	CN	302610768	10/2013
2015/0041480	A1	2/2015	Ramsey	CN	302634515	11/2013
2015/0102032	A1	4/2015	Dunn et al.	CN	302637895	11/2013
2015/0102046	A1	4/2015	Steininger	CN	302686147	12/2013
2015/0108150	A1	4/2015	Garcia	CN	103479240	A 1/2014
2015/0108152	A1	4/2015	Franzen et al.	CN	302706499	1/2014
2015/0164256	A1	6/2015	Helton	CN	302706635	1/2014
2015/0191293	A1	7/2015	Forcella	CN	302711957	1/2014
2015/0197390	A1	7/2015	Kurabe et al.	CN	302719141	1/2014
2015/0232232	A1	8/2015	Shibuki et al.	CN	302732959	2/2014
2015/0250341	A1	9/2015	Liu et al.	CN	103654438	A 3/2014
2015/0291316	A1	10/2015	Fietz	CN	302751616	3/2014
2015/0329250	A1	11/2015	Barreto et al.	CN	302770712	3/2014
2015/0345911	A1	12/2015	DeMille	CN	302784750	4/2014
2015/0351568	A1	12/2015	Blain et al.	CN	302823399	5/2014
2016/0272384	A1	9/2016	Lee et al.	CN	302846547	6/2014
2016/0298934	A1	10/2016	Mora Gamez	CN	302971699	10/2014
2017/0066573	A1	3/2017	Karussi et al.	CN	303116492	3/2015
2017/0121072	A1	5/2017	Seiders et al.	CN	303145228	3/2015
2017/0121073	A1*	5/2017	Seiders B65D 43/0229	CN	303176496	4/2015
2017/0121074	A1	5/2017	Seiders et al.	CN	303223158	5/2015
2017/0225855	A1	8/2017	Lawson et al.	CN	303234974	6/2015
2017/0273484	A1	9/2017	Spivey et al.	CN	303235036	6/2015
2017/0276458	A1	9/2017	Scarborough et al.	CN	303235037	6/2015
2018/0127165	A1	5/2018	Smaldone et al.	CN	303237155	6/2015
2018/0140120	A1	5/2018	Shackelford	CN	303302513	7/2015
2019/0092540	A1	3/2019	Spivey et al.	CN	303304733	7/2015
2019/0125111	A1	5/2019	Morewitz et al.	CN	303362116	9/2015
2019/0152661	A1	5/2019	Seiders et al.	CN	303362118	9/2015
2019/0216243	A1*	7/2019	Honig F21V 23/0485	CN	303420853	10/2015
2019/0216245	A1*	7/2019	Choi A47G 23/0216	CN	303420854	10/2015
2020/0055645	A1	2/2020	Lane	CN	303652430	11/2015
2020/0231345	A1	7/2020	Lane et al.	CN	303473079	12/2015
2020/0331671	A1	10/2020	Seiders et al.	CN	303505432	12/2015
2020/0361672	A1	11/2020	Jenkins et al.	CN	303511274	12/2015
2020/0377272	A1	12/2020	Ma et al.	CN	303515224	12/2015
2020/0377273	A1	12/2020	Seiders et al.	CN	303589339	2/2016
2020/0391910	A1	12/2020	Pinelli et al.	CN	303600607	3/2016
2021/0047089	A1	2/2021	Seiders et al.	CN	303637208	4/2016
2022/0033139	A1	2/2022	Buhler et al.	CN	303802304	8/2016
2022/0039574	A1*	2/2022	Yang A47G 19/2205	CN	303822422	8/2016
2022/0063893	A1*	3/2022	Harvey A47G 21/18	CN	303883775	10/2016
2022/0087454	A1	3/2022	Meyers et al.	CN	303893125	10/2016
2022/0151410	A1*	5/2022	Trammell B65D 47/265	CN	303908827	11/2016

FOREIGN PATENT DOCUMENTS

CA	194303	*	3/2022	CN	303910226	11/2016
CH	561528	A5	5/1975	CN	303911163	11/2016
CN	3022368		12/1993	CN	303914569	11/2016
CN	3257925		10/2002	CN	303925734	11/2016
CN	3420755		1/2005	CN	303991353	1/2017
				CN	304012163	1/2017
				CN	304012164	1/2017
				CN	304046006	2/2017
				CN	304050011	2/2017
				CN	304080800	3/2017
				CN	304108559	4/2017
				CN	304114182	4/2017
				CN	304147508	5/2017

(56)

References Cited

FOREIGN PATENT DOCUMENTS

CN	304147509	5/2017	CN	306378710	S	3/2021
CN	206342283	U 7/2017	CN	212912633	U	4/2021
CN	304210706	7/2017	CN	306448224	S	4/2021
CN	304226247	8/2017	CN	306457158	S	4/2021
CN	304267436	9/2017	CN	306474585	S	4/2021
CN	304284969	9/2017	DE	102013000557	A1	7/2014
CN	304294393	9/2017	EM	000252754-0003		2/2005
CN	304298678	9/2017	EM	000252754-0006		2/2005
CN	304303134	10/2017	EM	000365952-0002		7/2005
CN	304327361	10/2017	EM	000976196-0003		7/2008
CN	304345278	11/2017	EM	001077283-0001		1/2009
CN	304356418	11/2017	EM	001558552-0001		7/2009
CN	304360902	11/2017	EM	001558552-0002		7/2009
CN	304364308	11/2017	EM	001753419-0005		9/2010
CN	304366727	11/2017	EM	001897141-0008		8/2011
CN	304403495	12/2017	EM	001897141-0009		8/2011
CN	304403505	12/2017	EM	001897141-0011		8/2011
CN	304410431	12/2017	EM	001897141-0012		8/2011
CN	304410432	12/2017	EM	002384289-0001		1/2014
CN	304410762	12/2017	EM	002849075-0001		11/2015
CN	304429381	12/2017	EM	003007087-0004		5/2016
CN	304440055	1/2018	EM	003326644-0001		8/2016
CN	304440069	1/2018	EM	003326669-0001		8/2016
CN	304440234	1/2018	EM	003472091-0006		11/2016
CN	304464173	1/2018	EM	003472091-0007		11/2016
CN	304479189	1/2018	EM	003472091-0023		11/2016
CN	304479190	1/2018	EM	003832625-0001		4/2017
CN	304490572	2/2018	EM	003832625-0002		4/2017
CN	304490601	2/2018	EM	003860204-0001		4/2017
CN	304491164	2/2018	EM	003860212-0001		4/2017
CN	304492050	2/2018	EM	004127470-0001		8/2017
CN	304501310	2/2018	EM	004520138-0001		12/2017
CN	304501922	2/2018	EM	004520138-0002		12/2017
CN	304508262	2/2018	EM	004561777-0019		1/2018
CN	207306510	U 5/2018	EM	006147641-0006		2/2019
CN	207383540	U 5/2018	EM	006147641-0007	*	3/2019
CN	304655003	6/2018	EM	006156113-0001		4/2019
CN	108471891	A 8/2018	EM	006156113-0002		4/2019
CN	207886064	U 9/2018	EM	006156113-0003		4/2019
CN	208808068	U 5/2019	EM	006156113-0004		4/2019
CN	208851116	U 5/2019	EM	006156113-0005		4/2019
CN	305169875	5/2019	EM	006156113-0006		4/2019
CN	305169876	5/2019	EM	006156113-0006		4/2019
CN	209058675	U 7/2019	EM	007773791-0001		4/2020
CN	306008756	U 7/2019	EM	008177422-0001		9/2020
CN	305476920	12/2019	EM	006354742-0002		10/2020
CN	305628850	2/2020	EM	008317929-0001		12/2020
CN	305648489	S 3/2020	EM	008317929-0002		12/2020
CN	305658999	3/2020	EM	008317929-0003		12/2020
CN	210300507	U 4/2020	EM	008317929-0004		12/2020
CN	305676247	4/2020	EM	008317929-0005		12/2020
CN	305740106	4/2020	EM	008317929-0006		12/2020
CN	111109981	A 5/2020	EM	007787692-0001	*	1/2021
CN	210643564	U 6/2020	EM	008484638-0001	*	11/2021
CN	305962065	S 8/2020	EP	0717949	B1	4/2002
CN	305978193	S 8/2020	EP	2432349	B1	4/2013
CN	305993997	S 8/2020	EP	002775078-0001		11/2015
CN	306008756	S 8/2020	EP	3367850	A1	9/2018
CN	306016664	S 8/2020	EP	3537936	A1	9/2019
CN	306016768	S 8/2020	GB	2129117	A	5/1984
CN	306031191	S 9/2020	GB	2354579	A	3/2001
CN	306050638	S 9/2020	GB	3022368		1/2006
CN	211748590	U 10/2020	GB	6041423	*	8/2018
CN	306090110	10/2020	GB	6109996		12/2020
CN	306090181	S 10/2020	GB	6109997		12/2020
CN	212015230	U 11/2020	GB	6109998		12/2020
CN	306186561	S 11/2020	GB	6109999		12/2020
CN	306186641	S 11/2020	GB	6110000		12/2020
CN	306186797	S 11/2020	GB	6110001		12/2020
CN	306214126	12/2020	GB	9008317929-0001		12/2020
CN	306214271	S 12/2020	GB	9008317929-0002		12/2020
CN	306259892	S 1/2021	GB	9008317929-0003		12/2020
CN	212489438	U 2/2021	GB	9008317929-0004		12/2020
CN	212574644	U 2/2021	GB	9008317929-0005		12/2020
CN	112450686	A 3/2021	GB	9008317929-0006		12/2020
			IL	25732	A	1/1998
			IN	280990-0001	*	3/2017
			IN	314458-001-0001		11/2019
			IN	314443-001-0001		12/2020
			IN	314442-001-0001	*	3/2022

(56)

References Cited

FOREIGN PATENT DOCUMENTS

JP	H07313383	A	12/1995
JP	H11164784	A	6/1999
JP	H11221667	A	8/1999
JP	2011219125	A	11/2011
JP	2011219126	A	11/2011
JP	D1507225		9/2014
JP	2017124307	A	7/2017
JP	D1634137		6/2019
JP	D1675520		1/2021
JP	1680040	S	3/2021
JP	D1680040	*	3/2021
KR	20060009969	A	2/2006
KR	300779301		1/2015
KR	300884682.0000	*	12/2016
KR	300953895.0000		4/2018
KR	20190001250	A	1/2019
KR	3020190001250		1/2019
KR	301042715.0000	*	1/2020
KR	301045998		2/2020
KR	301045998.00000		2/2020
KR	301045998.0000	*	2/2020
KR	3010460890002	*	2/2020
KR	301058038		5/2020
KR	301077462.0000		10/2020
KR	301077816.0000		10/2020
KR	3010887860001		12/2020
KR	3010887860002		12/2020
KR	3010887860003		12/2020
KR	301100973.0000		3/2021
RU	00119715	U1	5/2020
WO	0162614	A1	8/2001
WO	2006048119	A1	5/2006
WO	2007087185	A2	8/2007
WO	2008021523	A2	2/2008
WO	2008121942	A2	10/2008
WO	2011022857	A2	3/2011
WO	2012031994	A1	3/2012
WO	2012064184	A1	5/2012
WO	2012107861	A2	8/2012
WO	2013163725	A1	11/2013
WO	14040211	A1	3/2014
WO	16204623	A1	12/2016
WO	2017075482	A1	5/2017
WO	2018089525	A1	5/2018
WO	202047730	A1	3/2020
WO	202086567	A1	4/2020

OTHER PUBLICATIONS

YETI(Mug) [online] URL: <https://www.amazon.com/YETI-Rambler-Stainless-Vacuum-Insulated/dp/B074W99X7X?th=1> (site visited:Feb. 11, 2022) (Year: 2017).*

YETI(Tumbler) [online] URL: <https://www.amazon.comNETI-Rambler-Stainless-Insulated-Tumbler/dp/B06WVJ8VRP/> (site visited:Feb. 11, 2022) (Year: 2017).*

Stanley [online] URL: <https://www.youtube.com/watch?v=SgDWWyUffbo> (site visited:Feb. 11, 2022) (Year: 2020).*

Sursip [online] URL: <https://www.amazon.com/Sursip-Stainless-Tumbler-Double-Insulated/dp/B0919XFLGP/> (site visited:Feb. 11, 2022) (Year: 2021).*

Yeti [online] URL: <https://www.amazon.com/YETI-Rambler-Stainless-Insulated-Stronghold/dp/B098YV2WMP/> (site visited:Feb. 11, 2022) (Year: 2021).*

Reduce HOT1 [online] URL: <https://www.picknsave.com/p/reduce-hot1-travel-mug/0084281511960> (site visited:Feb. 11, 2022) (Year: 2022).*

Polar [online] URL: <https://www.amazon.com/Personalized-Tumblers-Insulated-Stainless-Customized/dp/B08XT7RC9M> (site visited : May 25, 2022) (Year: 2021).*

Swig [online] URL: <https://www.swignsweets.com/product/44-oz-handle-tumbler/> (site visited: May 25, 2022) (Year: 2022).*

Stanley [online] URL: <https://www.stanley1913.com/products/adventure-quencher-travel-tumbler-20-oz-new> (site visited: Jul. 13, 2022) (Year: 2022).*

Yoelike [online] URL: <https://www.amazon.com/dp/B09Z37MGH9> (site visited: Jul. 13, 2022) (Year: 2022).*

Zenbo [online] URL: <https://www.amazon.com/dp/B09QL9QV4V> (site visited: Jul. 13, 2022) (Year: 2022).*

Promotional Items, Inc., “Stainless Steel 14oz. Deluxe Coffee Insulated Tumbler Lid”, retrieved from http://www.promotional-items-inc.com/catalog/stainless_steel_18oz_commuter_coffee_mug_lid.html on Aug. 27, 2015.

The Product Farm, “BeerNStein Rocks Tumbler Lid—Blue”, retrieved from <http://store.theproductfarm.com/beerstein-rocks-tumbler-lid-blue/> on Aug. 27, 2015.

Hit Promotional Products, “24 Oz. Biggie Tumbler with Lid”, retrieved from <http://www.hitpromo.net/product/show/5853/24-oz-biggie-tumbler-with-lid> on Aug. 27, 2015.

The Alexon Group, “16 Oz. Stainless Steel Travel Mug with Slide Action Lid and Plastic Inner Liner”, retrieved from <https://alexongroup.com/16-oz-stainless-steel-travel-mug-with-slide-action-lid-and-plastic-inner-liner> on Aug. 27, 2015.

“Stainless Steel Travel Mug with Slide Action Lid and Plastic Inner Liner—16oz.”, retrieved from <http://waterbottles.com/stainless-steel-travel-mug-with-slide-action-lid-and-plastic-inner-liner-16-oz> on Aug. 27, 2015.

Vat19, “16 oz. Dual Auto/USB Heated Mug”, retrieved from <https://www.vat19.com/item/16-oz-dual-auto-usb-heater-coffee-mug> on Aug. 27, 2015.

Timolino, “Signature Thermal Travel Mug Slide-Tab Lid”, retrieved from <http://timolino.com/products/signature-thermal-travel-mug-slide-tab-lid> on Aug. 27, 2015.

Eshine Industrial & Maoyuan International, “400ml Double Wall Stainless Steel Travel Mug with Sliding Drink Lid”, retrieved from <http://www.chinawaterbottle.com/product/400ml-double-wall-stainless-steel-travel-mug-with-sliding-drink-lid-77-520.html> on Aug. 27, 2015.

Photo USA Electronic Graphic Inc., “17fl oz Personalised Travel Mug (Plastic Insert and Metal Shell, Reverse Screw)”, retrieved from <http://www.meikeda.com/stainless-steel-mug/item/15-oz-personalised-travel-mug.html> on Aug. 27, 2015.

Promo Industrial Co., Limited, “16 Oz. Blue Bullet Travel Mug W/ Handle”, retrieved from http://www.oempromo.com/Bottle-cup-and-mug/Mugs/index_73.htm on Aug. 27, 2015.

Gold Bond Inc., “16CT—16 oz Cafe Tumbler”, retrieved from <http://www.goldbondinc.com/16ct> on Aug. 27, 2015.

“YETI Rambler 20 and 30 oz”, published on Apr. 19, 2014, retrieved from <https://web.archive.org/web/20140419041951/http://yeticoolers.com/rambler-tumblers/> on Sep. 2, 2015.

Alexander, Emmet, “Removable Bicycle Cup Holder By Bookman”, posted Mar. 23, 2014 online, retrieved Jun. 6, 2016 from Internet, URL: <http://coolmensgear.com/removable-bicycle-cup-holder/>.

“Meyers California Rainbow Mug With Removable Wood Metal Handle”, retrieved from Internet on Jun. 6, 2016; URL: <https://www.pinterest.com/pin/148618856430252325/>.

“Tervis Tumbler Black 24 Oz. Handle”, retrieved from Internet Jun. 6, 2016; URL: <http://www.amazon.com/Tervis-Tumbler-Black-24oz-Handle/dp/B004VHVHORG>.

Purdum, Sandra, “Mug or Tumbler Metal Handles Spare Parts”, retrieved from Internet Jun. 6, 2016; URL: https://www.etsy.com/...r-tumbler-metalhandles-spare-parts?ga_order=most_relevant&ga_search_type=all&ga_view_type=gallery&ga_search_query=metal%20handled%20mugs&ref=sr_gallery_8.

“Red Removable Handle 16-Oz. Travel Tumbler”, retrieved from Internet Jun. 6, 2016, URL: <http://www.zulily.com/p/red-removable-handle-16-oz-travel-tumbler-120715-7353259.html>.

Dec. 14, 2016 (PCT) International Search Report and Written Opinion—App PCT/US2016/055491.

May 10, 2017—U.S. Office Action—U.S. Appl. No. 15/183,427.

May 24, 2017—(WO) International Search Report and Written Opinion—App. No. PCT/US2017/022315—16 pages.

(56)

References Cited

OTHER PUBLICATIONS

United States District Court Western District of Texas Austin Division, “Complaint,” *YETI Coolers, LLC v. Gourmet Home Products, LLC*, Case: 1:17-cv-00533, Document #1, filed Jun. 2, 2017, 25 pages.

United States District Court Western District of Texas Austin Division, “Complaint,” *YETI Coolers, LLC v. Godinger Silver Art, Ltd., Cathy’s Concepts, Inc., Viatek Consumer Products Group, Inc.*, Case: 1:17-cv-00467, Document #1, filed May 16, 2017, 22 pages.

United States District Court Western District of Texas Austin Division, “Complaint,” *YETI Coolers, LLC v. Bayou Ice Boxes, Inc.*, Case: 1:17-cv-00261, Document #1, filed Mar. 24, 2017, 41 pages.

United States District Court Western District of Texas Austin Division, “Complaint,” *YETI Coolers, LLC v. Vickery Products, LLC d/b/a Axis Cups, f/d/b/a Frio Cups*, Case: 1:17-cv-00260, Document #1, filed Mar. 24, 2017, 52 pages.

United States District Court Western District of Texas Austin Division, “Complaint,” *YETI Coolers, LLC v. Wadley Holdings, LLC d/b/a Meadowcraft, and Southern Sales & Marketing Group, Inc. d/b/a nICE*, Case 1:17-cv-00421, Document 1, filed May 5, 2017, 121 pages.

United States District Court Western District of Texas Austin Division, “Complaint,” *YETI Coolers, LLC v. JDS Industries, Inc., Lionel Laundry Jr., d/b/a Accolades Awards & Engraving, Creating and Fast LLC d/b/a Promotional Products San Antonio, Kelly Scoggins d/b/a King Engraving, Jamey Z. Apps d/b/a Roberts Trophies, and Eagle Media, Inc.*, Case 1:17-cv-00424, Document 1, filed May 5, 2017, 62 pages.

United States District Court Western District of Texas Austin Division, “Complaint,” *YETI Coolers, LLC v. Glacier Coolers, LLC, and Tecomate Holdings, LLC*, Case 1:17-cv-00586, Document 1, filed Jun. 15, 2017, 161 pages.

United States District Court Western District of Texas Austin Division, “Complaint,” *YETI Coolers, LLC v. Gametime Sidekicks, LLC*, Case 1:17-cv-00413, Document 1, filed May 5, 2017, 107 pages.

United States District Court Western District of Texas Austin Division, “Complaint,” *YETI Coolers, LLC v. Kodiak Coolers, LLC and Flexible Automation LLC*, Case 1:17-cv-00422, Document 1, filed May 5, 2017, 51 pages.

Oct. 18, 2016—(JP) Office Action—App 2016-004374—English trans.

United States District Court Western District of Texas Austin Division, “Complaint,” *YETI Coolers, LLC v. Benner China and Glassware Florida, Inc.*, Case: 1:16-cv-00142-RP, Document #1, filed Feb. 16, 2016, 21 pages.

United States District Court Western District of Texas Austin Division, “Complaint,” *YETI Coolers, LLC v. Blackbird Products Group, LLC, d/b/a Mammoth Coolers*, Case: 1:15-cv-01105, Document #1, filed Dec. 7, 2015, 266 pages.

United States District Court Western District of Texas Austin Division, “Defendant Blackbird Products Group, LLC’s Answer and Affirmative Defenses to Plaintiff YETI Coolers, LLC’s Complaint,” *YETI Coolers, LLC v. Blackbird Products Group, LLC, d/b/a Mammoth Coolers*, Case: 1:15-cv-01105-SS, Document #13, filed Dec. 28, 2015, 11 pages.

United States District Court Western District of Texas Austin Division, “Order,” *YETI Coolers, LLC v. Blackbird Products Group, LLC, d/b/a Mammoth Coolers*, Case: 1:15-cv-01105-RP, Document #26, filed Apr. 20, 2016, 1 page.

United States District Court Western District of Texas Austin Division, “Complaint,” *YETI Coolers, LLC v. The Boelter Companies, Inc., Boelter Brands, LLC and Boelter Beverage, LLC*, Case: 1:16-cv-00456, Document #1, filed Apr. 8, 2016, 20 pages.

United States District Court Western District of Texas Austin Division, “Defendants’ Answer to Complaint,” *YETI Coolers, LLC v. The Boelter Companies, Inc., Boelter Brands, LLC and Boelter Beverage, LLC*, Case: 1:16-cv-00456-RP, Document #21, filed Jun. 7, 2016, 9 pages.

United States District Court Western District of Texas Austin Division, “Consent Judgment,” *YETI Coolers, LLC v. The Boelter Companies, Inc., Boelter Brands, LLC and Boelter Beverage, LLC*, Case: 1:16-cv-00456-RP, Document #25, filed Sep. 13, 2016, 3 pages.

United States District Court Western District of Texas Austin Division, “Complaint,” *YETI Coolers, LLC v. Jennifer Leverage Bootz Evans d/b/a Bling and Burlap Buy In’s and Blanks*, Case: 1:15-cv-00995, Document #1, filed Nov. 2, 2015, 128 pages.

United States District Court Western District of Texas Austin Division, “Order,” *YETI Coolers, LLC v. Jennifer Leverage Bootz Evans d/b/a Bling and Burlap Buy In’s and Blanks*, Case: 1:15-cv-00995-RP, Document #18, filed Apr. 18, 2016, 1 page.

United States District Court Western District of Texas Austin Division, “Defendant Kaiser Group Inc.’s Answer, Affirmative Defenses, and Counterclaims to Plaintiff YETI Coolers, LLC’s Complaint,” *YETI Coolers, LLC v. Kaiser Group Inc., d/b/a Thermo Steel, d/b/a Vino2Go, d/b/a Brew2GO*, Case: 1:15-cv-00725-RP, Document #14, filed Oct. 13, 2015, 65 pages.

United States District Court Western District of Texas Austin Division, “Complaint,” *YETI Coolers, LLC v. Great American Products, Ltd.*, Case: 1:15-cv-00686, Document #1, filed Aug. 6, 2015, 20 pages.

United States District Court Western District of Texas Austin Division, “Order,” *YETI Coolers, LLC v. Great American Products, Ltd.*, Case: 1:15-cv-00686-RP, Document #25, filed Mar. 14, 2016, 1 page.

United States District Court Western District of Texas Austin Division, “Complaint,” *YETI Coolers, LLC v. Home Depot U.S.A., Inc., Takeya USA Corporation*, Case: 1:17-cv-00342, Document #1, filed Apr. 12, 2017, 24 pages.

United States District Court Western District of Texas Austin Division, “Complaint,” *YETI Coolers, LLC v. Ideastage Promotions, LLC, d/b/a Swag Brokers*, Case: 1:15-cv-00774, Document #1, filed Sep. 2, 2015, 22 pages.

United States District Court Western District of Texas Austin Division, “Complaint,” *YETI Coolers, LLC v. ContextLogic, Inc. d/b/a Wish.com*, Case: 1:17-cv-00937, Document #1, filed Sep. 28, 2017, 238 pages.

United States District Court Western District of Texas Austin Division, “Complaint,” *YETI Coolers, LLC v. Dunhuang Group, SZ Flowerfairy Technology Co., Ltd., Tan Er Pa Technology Co., Ltd., Shenzhen Great Electronic Technology Co., Ltd., and Huagong Trading Co.*, Case: 1:17-cv-00938, Document #1, filed Sep. 28, 2017, 272 pages.

United States International Trade Commission of Washington, DC, “Complaint Under Section 337 of the Tariff Act of 1930, as Amended,” *YETI Coolers, LLC vs. Alibaba (China) Technology Co., Ltd., Alibaba Group Holding Limited, Alibaba.com Hong Kong Limited, Alibaba.com Singapore E-Commerce Private Limited, Bonanza.com, Inc., ContextLogic, Inc. d/b/a Wish, Dunhuang Group, Hangzhou Alibaba Advertising Co. Ltd., Huizhou Dashu Trading Co., Ltd., Huagong Trading Co., and Tan Er Pa Technology Co., Ltd.*, filed Sep. 28, 2017, 191 pages.

United States District Court Western District of Texas Austin Division, “Defendant Takeya USA Corporation’s Memorandum in Support of Rule 12(b)(6) Motion to Dismiss,” *YETI Coolers, LLC v. Home Depot U.S.A., Inc., Takeya USA Corporation*, Case: 1:17-cv-00342, Document #12, filed May 25, 2017, 34 pages.

United States District Court Western District of Texas Austin Division, “Defendant Kelly Scoggins d/b/a King Engraving’s Memorandum in Support of Rule 12(b)(6) Motion to Dismiss and Motion to Take Judicial Notice,” *YETI Coolers, LLC v. JDS Industries, Inc., Lionel Landry Jr., d/b/a Accolades d/b/a Accolades Awards & Engraving, Creative and Fast LLC d/b/a Promotional Products San Antonio, Kelly Scoggins d/b/a King Engraving*, Case: 1:17-cv-00424-RP, Document #65, filed Aug. 11, 2017, 28 pages.

United States District Court Western District of Texas Austin Division, “Complaint,” *YETI Coolers, LLC v. Wal-Mart Stores, Inc.*, Case: 1:17-cv-01145, Document #1, filed Dec. 8, 2017, 98 pages.

United States District Court Western District of Texas Austin Division, “Complaint,” *YETI Coolers, LLC v. Ad-N-Art Inc. (CA)*

(56)

References Cited

OTHER PUBLICATIONS

d/b/a Asobu, and Ad-N-Art Inc. (US) d/b/a Asobu, Case: 1:18-cv-00514, Document #1, filed Jun. 20, 2018, 26 pages.

United States District Court Western District of Texas Austin Division, “Complaint,” *YETI Coolers, LLC v. Hogg Outfitters, LLC*, Case: 1:18-cv-00512, Document #1, filed Jun. 20, 2018, 26 pages.

United States District Court Western District of Texas Austin Division, “Complaint,” *YETI Coolers, LLC v. Lighters Management, Inc. d/b/a Visol Products d/b/a Visol d/b/a eflasks.com*, Case: 1:18-cv-00513, Document #1, filed Jun. 20, 2018, 25 pages.

Green Steel 20oz Beast Tumbler [online], [retrieved Jul. 26, 2018], Retrieved from the Internet, URL: <https://www.amazon.com/dp/B074L7M8DT/ref=twister_B01DQNHFC?_encoding=UTF8&th=1>; 9 sheets, published Apr. 2, 2016.

Green Steel 30oz Beast Tumbler [online], [retrieved Jul. 26, 2018], Retrieved from the Internet, URL: <https://www.amazon.com/gp/product/b01n2iyxtg> <<https://www.amazon.com/gp/product/b01n2iyxtg>>; 9 sheets, published date unknown, but for purposes of patent prosecution presumably more than a year prior to the filing date of the present application.

United States District Court Western District of Texas Austin Division, “Complaint,” *YETI Coolers, LLC v. 99 Cents Only Stores, LLC and 99 Cents Only Stores Texas, Inc.*, Case: 1:18-cv-00799, Document #1, filed Sep. 18, 2018, 102 pages.

“Fine Ceramics: Harder Than Stainless Steel”, Characteristics of Fine Ceramics, Physical-Hardness, Fine Ceramics World (2009). Jun. 5, 2019—(CN) Office Action—App. No. 201780029765.X.

“Block C Over Cornell Stainless Tumbler with Handle 20 oz”; The Cornell Store; retrieved Sep. 24, 2019; disclosure date unknown but prior to the filing date of the present application; URL: <<https://www.cornellstore.com/Block-C-Over-Cornell-Stainless-Tumbler-With-Handle-20-Oz>>.

“The Grapplr YETI Cup Handle”; The Grapplr; retrieved Sep. 24, 2019; disclosure date unknown but prior to the filing date of the present application; URL: <<http://thegrapplr.com/>>.

“Mossy Oak Stainless Steel Tumbler Handle”; Pinshape; retrieved Sep. 24, 2019; disclosure date unknown but prior to the filing date of the present application; URL: <<https://pinshape.com/items/37037-3d-printed-mossy-oak-stainless-steel-tumbler-handle>>.

“ONEB Car Cup Travel Mug 450ml with handle Stainless Steel Coffee Insulated Milk”; Coffee-Mug; retrieved Sep. 24, 2019; disclosure date unknown but prior to the filing date of the present application; URL: <https://mugs.coffee-mug.org/oneb-car-cup-travel-mug-450ml-with-handle.html?product_id=YIFpDgnD_VD3Ew>.

“White Polymer Travel Mug”; Coola Products; retrieved Sep. 24, 2019; disclosure date unknown but prior to the filing date of the present application; URL: <<https://www.coola-products.com/white-polymer-travel-mug>>.

“Ozark Trail 12 Oz Stainless Steel Coffee Mugs 4 Pack”; Amazon; retrieved Sep. 24, 2019; disclosure date unknown but prior to the filing date of the present application; URL: <https://www.amazon.com/Ozark-Trail-Stainless-Steel-Coffee/dp/B07MQ1BZGP/ref=asc_df_B07MQ1BZGP/?tag=bingshoppinga-20&linkCode=df0&hvadid={creative}&hvpos={adposition}&hvnetw=o&hvrand={random}&hvptwo=&hvptwo=&hvqmt=e&hvdev=c&hvdvcmid={devicemodel}&hvlocint=&hvlocphy=&hvtargid=pla-4583451664950027&pssc=1>.

“Travel Coffee Cup, Polar Cap”; RTIC; retrieved Sep. 24, 2019; disclosure date unknown but prior to the filing date of the present application; URL: <<https://www.rticcoolers.com/shop/drinkware/tumblers/Travel-Coffee-Cup-Polar-Cap>>.

“Bubba Classic Insulated Travel Mug, 20 Ounce”; Walmart; retrieved Oct. 17, 2019; disclosure date unknown but prior to the filing date of the present application; URL: <<https://www.walmart.com/ip/Bubba-Classic-Insulated-Travel-Mug-20-Ounce/51636951>>.

“Cold-1 Thermal Mug 40oz”; Walmart; retrieved Oct. 17, 2019; FALSE disclosure date unknown but prior to the filing date of the present application; URL: <<https://www.walmart.com/ip/Cold-1-Thermal-Mug-40oz/880572762>>.

“Thermos Stainless King 16 Ounce Travel Mug with Handle, Midnight Blue”; Amazon; retrieved Oct. 17, 2019; published Sep. 22, 2009; URL: <<https://www.amazon.com/Thermos-Stainless-Travel-Handle-Midnight/dp/B002PY7AYI>>.

“Bubba Classic Insulated Travel Mug with Handle, 34 oz., Black”; Amazon; retrieved Oct. 17, 2019; published Jul. 26, 2010; URL: <<https://www.amazon.com/Bubba-Classic-Insulated-Travel-Handle/dp/B01DGMBG5Q/?tag=gatheringgroundsbm-20>>.

“Atlin Tumbler [30 oz. Double Wall Stainless Steel Vacuum Insulation]—Black Travel Mug [Crystal Clear Lid] Water Coffee Cup [Straw + Handle Included] For Home, Office, School, Ice Drink, Hot Beverage”; Amazon; retrieved Oct. 17, 2019; published Jul. 25, 2017; URL: <https://www.amazon.com/dp/B074XMH3W2/ref=gbps_tit_s-5_5baf_6b642150?smid=A10ABS3Q8PD591&pf_rd_p=a7e1c818-e7bc-4318-ae47-1f5300505baf&pf_rd_s=slot-5&pf_rd_t=701&pf_rd_i=gb_main&pf_rd_m=ATVPDKIKX0DER&pf_rd_r=GW71WK>.

“Tervis Lids”, retrieved from <http://www.tervis.com/designs/Accessories/Travel-lids/dc0fe00377e0ec722da5bd146541427c#!upc=093597437694&upc=093597240386> on Sep. 10, 2015.

Aladdin, “Recycled & Recyclable Travel Mug—Grey Replacement Lid”, retrieved from <http://www.shopaladdin-pmi.com/product/recycled-recyclable-travel-mug-grey-replacement-lid> on Sep. 10, 2015.

Zak! Designs, “Grip 16 oz Travel Coffee Mug—Sapphire”, retrieved from http://www.zak.com/planet_zak_blue_stainless_steel_water_bottle_0187-5720 on Sep. 10, 2015.

Promotional Items, Inc., “Stainless Steel 14 oz. Tool Box Travel Mug Lid”, retrieved from http://www.promotional-items-inc.com/catalog/stainless_steel_14oz_tool_box_travel_mug_lid.html on Sep. 10, 2015.

“Starbucks® Stainless Steel Logo Tumbler, 16 fl oz”, retrieved from <<http://store.starbucks.com/starbucks-stainless-steel-logo-tumbler-16-fl-oz-011023529.html>> on Nov. 3, 2015.

“Corkcicle Tumbler”, retrieved from <<http://corkcicle.com/pages/tumbler>> on Nov. 3, 2015.

Dick’s Sporting Goods. YETI 10/20 oz. Rambler Mag Slider Lid. Jun. 2017 [earliest online date], [site visited Oct. 26, 2017]. Available from Internet, < URL: <https://www.dickssportinggoods.com/p/yeti-10-20-ozrambler-mag-slider-lid-17yeta1020mgslrdodr/17yeta1020mgslrdodr>>. (Year: 2017).

Dec. 10, 2018—(AU) Examination Report—App No. 2016343757-MM.

Jan. 16, 2019—(CA)—Examiner’s Report—App 3,003,731.

Jul. 15, 2019—(CN)—First Office Action—App 201680075940.4.

Oct. 7, 2019—(CA) Examiner’s Report—App 3,003,731.

“Camo Keep Hammering Leather Patch Hat”; Cameron Hanes; retrieved Jan. 17, 2020; disclosure date unknown but prior to the filing date of the present application; URL: <http://www.cameronhanes.com/shop/keep-hammering-gear/camo-keep-hammering-leather-patch-hat/>.

“S’well Moss Camo 17-oz. Reusable Water Bottle”; Neiman Marcus; retrieved Jan. 17, 2020; disclosure date unknown but prior to the filing date of the present application; URL: <https://www.neimanmarcus.com/p/swell-moss-camo-17-oz-reusable-water-bottle-prod198110105>.

“Stainless Steel Water Bottle—25oz (Camouflage) by Rock Ridge”; Amazon; retrieved Jan. 17, 2020; published Jan. 16, 2013; URL: https://www.amazon.com/Rock-Ridge-Stainless-Steel-Bottle/dp/B00B1VHT1K/ref=br_lf_m_e2sps7bbt6yy27_img?_encoding=UTF8&s=kitchen.

“Koverz for Jars—#1 Neoprene Mason Jar Collie 16 oz Insulator Sleeve—Choose from 14 Styles!—Vintage Camo” Amazon; retrieved Jan. 17, 2020; published Jan. 14, 2014; URL: https://www.amazon.com/Koverz-Neoprene-Bottle-Insulator-Vintage/dp/B01FE5WA9Y/ref=br_lf_m_e2sps7bbt6yy27_ttl?_encoding=UTF8&s=sporting-goods&th=1.

“Spoontiques Camouflage Travel Mug, Green”; Amazon; retrieved Jan. 17, 2020; published Mar. 6, 2012; URL: <https://www.amazon.com/Spoontiques-Camouflage-Travel-Mug-Green/dp/B007HPGU96>.

“Wholesale 16oz Camo Travel Tumbler”; Wholesale Mart; retrieved Jan. 17, 2020; disclosure date unknown but prior to the filing date

(56)

References Cited

OTHER PUBLICATIONS

of the present application; URL: <https://www.wholesalmart.com/wholesale/16oz-camo-travel-tumbler.html>.

“Lunch Bag Cooler Insulated Ice Chest Soda Beer Camouflage Tote Bag Water Resist”; Walmart; retrieved Jan. 17, 2020; disclosure date unknown but prior to the filing date of the present application; URL: <https://www.walmart.com/ip/Lunch-Bag-Cooler-Insulated-Ice-Chest-Soda-Beer-Camouflage-Tote-Bag-Water-Resist/42449426>.

Tumbler | posted at Amazon.com, posted on Sep. 12, 2018, © 1996-2019 Amazon.com, [online], [site visited Dec. 23, 2019]. Available from Internet, <URL: https://www.amazon.com/YETI-Rambler-20-Stainless-Steel/dp/B07H9CBM6K/ref=sr_1_1?keywords=yeti+camo+tumbler&qid=1577814477&sr=8-1 > (Year: 2018).

United States District Court Western District of Texas, Austin Division, “Complaint,” *YETI Coolers, LLC v. V-Rose Enterprise, LLC d/b/a Calavera Coolers*, Case 1:20-cv-00086, Document 1, filed Jan. 23, 2020, 40 pages.

United States District Court Western District of Texas, Austin Division, “Complaint,” *YETI Coolers, LLC v. Green Foundations Ltd., d/b/a Greens Steel*, Case 1:20-cv-00075, Document 1, filed Jan. 22, 2020, 53 pages.

AmBrSoft Materials Density Table (Year: 2014).

Zahner Metal Hardness Chart (Year: 2019).

Sep. 10, 2020—(CN) Third Office Action (incl. English Translation)—App. No. 201780029765.X.

United States District Court Southern District of Texas, Houston Division, “Complaint,” *YETI Coolers, LLC v. Igloo Products Corporation*, Case 4:21-cv-03203, filed Oct. 1, 2021, 54 pages.

United States District Court Western District of Texas Austin Division, “Order,” *YETI Coolers, LLC v. Ideastage Promotions, LLC, d/b/a Swag Brokers*, Case: 1:15-cv-00774-RP, Document #19, filed Dec. 21, 2015, 1 page.

United States District Court Western District of Texas Austin Division, “Complaint,” *YETI Coolers, LLC v. Imagen Brands, LLC, d/b/a Crown Products, and Ebsco Industries, Inc.*, Case: 1:16-cv-00578-RP, Document #1, filed May 16, 2016, 20 pages.

United States District Court Western District of Texas Austin Division, “Complaint,” *YETI Coolers, LLC v. Kaiser Group Inc., d/b/a Thermo Steel, d/b/a Vino2GO, d/b/a Brew2Go*, Case: 1:15-cv-00725, Document #1, filed Aug. 19, 2015, 21 pages.

United States District Court Western District of Texas Austin Division, “Complaint,” *YETI Coolers, LLC v. Kuer Outdoors, LLC*, Case: 1:16-cv-00631, Document #1, filed May 27, 2016, 89 pages.

United States District Court Western District of Texas Austin Division, “Complaint,” *YETI Coolers, LLC v. Magnum Solace LLC*, Case: 1:16-cv-00663-RP, Document #1, filed Jun. 7, 2016, 24 pages.

United States District Court Western District of Texas Austin Division, “Defendant’s Rule 12(B)(6) Motion to Dismiss For Failure to State a Claim,” *YETI Coolers, LLC v. Magnum Solace LLC*, Case: 1:16-cv-00663-RP, Document #10, filed Aug. 5, 2016, 30 pages.

United States District Court Western District of Texas Austin Division, “Defendant’s Answer,” *YETI Coolers, LLC v. Magnum Solace LLC*, Case: 1:16-cv-00663-RP, Document #34, filed Apr. 13, 2017, 7 pages.

United States District Court Western District of Texas Austin Division, “Defendant’s Answer to Plaintiff’s Complaint and Affirmative Defenses,” *YETI Coolers, LLC v. MyCrew, LLC, MyCrew Drinkware, LLC and NNRiverLife, LLC*, Case 1:16-cv-01008-RP, Document #14, filed Nov. 29, 2016, 12 pages.

United States District Court Western District of Texas Austin Division, “Complaint,” *YETI Coolers, LLC v. MyCrew, LLC, MyCrew Drinkware, LLC and NNRiverLife, LLC*, Case: 1:16-cv-01008, Document #1, filed Aug. 26, 2016, 29 pages.

United States District Court Western District of Texas Austin Division, “Plaintiff YETI Coolers, LLC’s Original Complaint,” *YETI Coolers, LLC v. Ontel Products Corporation and World Pack USA, LLC*, Case: 1:17-cv-00091-RP, Document #1, filed Feb. 8, 2017, 65 pages.

United States District Court Western District of Texas Austin Division, “RTIC Drinkware’s First Amended Complaint for Declaratory Judgment,” *RTIC Drinkware, LLC v. YETI Coolers, LLC*, Case: 1:16-cv-00907-RP, Document #52, filed Nov. 14, 2016, 124 pages.

United States District Court Western District of Texas Austin Division, “YETI Coolers, LLC’s Answer to RTIC Drinkware’s First Amended Complaint,” *RTIC Drinkware, LLC v. YETI Coolers, LLC*, Case: 1:16-cv-00907-RP, Document #58, filed Dec. 1, 2016, 15 pages.

United States District Court Western District of Texas Austin Division, “YETI Coolers, LLC’s Answer to RTIC Drinkware LLC’s Complaint,” *RTIC Drinkware, LLC v. YETI Coolers, LLC*, Case: 1:16-cv-00907-RP, Document #35, filed Aug. 9, 2016, 27 pages.

United States District Court for the Southern District of Texas Houston Division, “RTIC Drinkware’s Original Complaint for Declaratory Judgment, Damages, and Injunctive Relief,” *RTIC Drinkware, LLC v. YETI Coolers, LLC*, Case: 4:16-cv-01201, Document #1, filed May 2, 2016, 58 pages.

United States District Court Western District of Texas Austin Division, “Order,” *RTIC Drinkware, LLC v. YETI Coolers, LLC*, Case: 1:16-cv-00907-RP, Document #47, filed Oct. 13, 2016, 3 pages.

United States District Court Western District of Texas Austin Division, “YETI Coolers, LLC’s First Amended Complaint,” *YETI Coolers, LLC v. RTIC Coolers, LLC, RTIC Drinkware, LLC, RTIC Web Services, LLC, Corporate Support & Fulfillment, LLC, John Jacobsen, and James Jacobsen*, Case: 1:16-cv-00264-RP, Document #15, filed May 16, 2016, 110 pages.

United States District Court Western District of Texas Austin Division, “Defendant RTIC Drinkware, LLC, RTIC Web Services, LLC, Corporate Support & Fulfillment, LLC, John Jacobsen, and James Jacobsen’s Answer and Counterclaims to YETI’s First Amended Complaint for Damages and Injunctive Relief,” *YETI Coolers, LLC v. RTIC Coolers, LLC, RTIC Drinkware, LLC, RTIC Web Services, LLC, Corporate Support & Fulfillment, LLC; John Jacobsen and James Jacobsen*, Case: 1:16-cv-00264-RP, Document #25, filed Jun. 13, 2016, 42 pages.

United States District Court Western District of Texas Austin Division, “Complaint,” *YETI Coolers, LLC v. RTIC Coolers, LLC*, Case: 1:16-cv-00264, Document #1, filed Mar. 2, 2016, 34 pages.

United States District Court Western District of Texas Austin Division, “YETI Coolers, LLC’s Answer to RTIC Drinkware, LLC’s, RTIC Web Services, LLC’s, Corporate Support & Fulfillment, LLC’s, John Jacobsen’s, and James Jacobsen’s Counterclaims,” *YETI Coolers, LLC v. RTIC Coolers, LLC, RTIC Drinkware, LLC, RTIC Web Services, LLC, Corporate Support & Fulfillment, LLC, John Jacobsen, and James Jacobsen*, Case: 1:16-cv-00264-RP, Document #31, filed Jul. 7, 2016, 7 pages.

United States District Court Western District of Texas Austin Division, “First Amended Complaint,” *YETI Coolers, LLC v. Sam’s West, Inc., and Sam’s East, Inc.*, Case: 1:16-cv-00829-RP, Document #32, filed Jan. 9, 2017, 24 pages.

United States District Court Western District of Texas Austin Division, “Defendants Sam’s West, Inc. and Sam’s East, Inc.’s Answer to Complaint,” *YETI Coolers, LLC v. Sam’s West, Inc., and Sam’s East, Inc.*, Case: 1:16-cv-00829-RP, Document #16, filed Aug. 26, 2016, 11 pages.

United States District Court Western District of Texas Austin Division, “Complaint,” *YETI Coolers, LLC v. Sam’s West, Inc., and Sam’s East, Inc.*, Case: 1:16-cv-00829, Document #1, Jun. 30, 2016, 21 pages.

United States District Court Western District of Texas Austin Division, “First Amended Complaint,” *YETI Coolers, LLC v. Sic Products LLC, d/b/a Sic Cups, d/b/a Sic*, Case: 1:16-cv-00117-RP, Document #34, Nov. 21, 2016, 25 pages.

United States District Court Western District of Texas Austin Division, “Sic Products, LLC’s Answer, Affirmative Defenses, and Counterclaims to Plaintiff’s Amended Complaint,” *YETI Coolers, LLC v. Sic Products LLC, d/b/a Sic Cups, d/b/a Sic*, Case: 1:16-cv-00117-RP, Document #35, Dec. 5, 2016, 81 pages.

United States District Court Western District of Texas Austin Division, “Sic Products, LLC’s Answer, Affirmative Defenses, and Counterclaims to Plaintiff’s Complaint,” *YETI Coolers, LLC v. Sic*

(56)

References Cited

OTHER PUBLICATIONS

Products LLC, d/b/a Sic Cups, d/b/a Sic, Case: 1:16-cv-00117-RP, Document #14, Jun. 3, 2016, 38 pages.

United States District Court Western District of Texas Austin Division, “Complaint,” *YETI Coolers, LLC v. Sic Products LLC, d/b/a Sic Cups, d/b/a Sic*, Case: 1:16-cv-00117-RP, Document #1, Feb. 4, 2016, 23 pages.

United States District Court Western District of Texas Austin Division, “YETI Coolers, LLC’s Answer to SIC Products, LLC Counterclaims,” *YETI Coolers, LLC v. Sic Products LLC, d/b/a Sic Cups, d/b/a Sic*, Case: 1:16-cv-00117-RP, Document #21, Sep. 29, 2016, 15 pages.

United States District Court Western District of Texas Austin Division, “YETI Coolers, LLC’s Answer to SIC Products, LLC Counterclaims to YETI Coolers, LLC’s Amended Complaint,” *YETI Coolers, LLC v. Sic Products LLC, d/b/a Sic Cups, d/b/a Sic*, Case: 1:16-cv-00117-RP, Document #38, Dec. 19, 2016, 20 pages.

United States District Court Western District of Texas Austin Division, “Complaint,” *YETI Coolers, LLC v. The Allen Company, d/b/a Allen Color Craft*, Case: 1:15-cv-00888-RP, Document #1, Oct. 6, 2015, 24 pages.

United States District Court Western District of Texas Austin Division, “Complaint,” *YETI Coolers, LLC v. Titan Custom Products, Inc.*, Case: 1:15-cv-00775, Document #1, Sep. 2, 2015, 22 pages.

United States District Court Western District of Texas Austin Division, “Answer,” *YETI Coolers, LLC v. Tree Leaf Marketing, LLC d/b/a Big Frig*, Case: 1:16-cv-00699-RP, Document #11, Oct. 21, 2016, 8 pages.

United States District Court Western District of Texas Austin Division, “Complaint,” *YETI Coolers, LLC v. Tree Leaf Marketing, LLC d/b/a Big Frig*, Case: 1:16-cv-00699, Document #1, Jun. 17, 2016, 33 pages.

United States District Court Western District of Texas Austin Division, “Complaint,” *YETI Coolers, LLC v. US Imprints, LLC, d/b/a GOimprints*, Case: 1:15-cv-00773, Document #1, Sep. 2, 2015, 22 pages.

United States District Court Western District of Texas Austin Division, “Order,” *YETI Coolers, LLC v. US Imprints, LLC, d/b/a GOimprints*, Case: 1:15-cv-00773-RP, Document #23, Apr. 25, 2016, 1 page.

United States District Court Western District of Texas Austin Division, “Veterinary Internet Company, LLC d/b/a VetInternetCo’s Answer to Plaintiff’s Complaint,” *YETI Coolers, LLC v. Polar Pad LLC, d/b/a Polar Drifter, d/b/a Polar Pad, and Veterinary Internet Company, LLC, d/b/a VetInternetCo*, Case: 1:16-cv-00677-RP, Document #11, Aug. 19, 2016, 12 pages.

United States District Court Western District of Texas Austin Division, “Complaint,” *YETI Coolers, LLC v. Polar Pad LLC, d/b/a Polar Pad Drifter, d/b/a Polar Pad, and Veterinary Internet Company, LLC, d/b/a VetInternetCo*, Case: 1:16-cv-00128, Document #1, Feb. 12, 2016, 24 pages.

United States District Court Western District of Texas Austin Division, “Complaint,” *YETI Coolers, LLC v. Polar Pad LLC, d/b/a Polar Pad Drifter, d/b/a Polar Pad, and Veterinary Internet Company, LLC, d/b/a VetInternetCo*, Case: 1:16-cv-00677, Document #1, Jun. 10, 2016, 25 pages.

United States District Court Western District of Texas Austin Division, “Order,” *YETI Coolers, LLC v. Polar Pad LLC, d/b/a Polar Pad Drifter, d/b/a Polar Pad, and Veterinary Internet Company, LLC, d/b/a VetInternetCo*, Case: 1:16-cv-00128-RP, Document #17, Jun. 17, 2016, 1 page.

United States District Court Western District of Texas Austin Division, “[Proposed] Order Granting Stipulated Motion to Dismiss Defendant Polar Pad, LLC, Without Prejudice, Pursuant to Fed. R. Civ. P. 21,” *YETI Coolers, LLC v. Polar Pad LLC, d/b/a Polar Pad Drifter, d/b/a Polar Pad, and Veterinary Internet Company, LLC, d/b/a VetInternetCo*, Case 1:16-cv-00677-RP, Document #14, Sep. 15, 2016, 1 page.

United States District Court Western District of Texas Austin Division, “Complaint,” *YETI Coolers, LLC v. Vickery Products, LLC d/b/a Axis Cups, f/d/b/a Frio Cups*, Case: 1:17-cv-00260, Document #1, Mar. 24, 2017, 52 pages.

United States District Court Western District of Texas Austin Division, “First Amended Complaint,” *YETI Coolers, LLC v. Wal-Mart Stores, Inc. and Olympia Tools International, Inc.*, Case: 1:16-cv-00454-RP, Document #17, May 24, 2016, 26 pages.

United States District Court Western District of Texas Austin Division, “Complaint,” *YETI Coolers, LLC v. Wal-Mart Stores, Inc.*, Case: 1:16-cv-00454, Document #1, Apr. 8, 2016, 29 pages.

United States District Court Western District of Texas Austin Division, “Olympia Tools International, Inc.’s Answer to YETI Coolers, LLC’s First Amended Complaint,” *YETI Coolers, LLC v. Wal-Mart Stores, Inc. and Olympia Tools International, Inc.*, Case: 1:16-cv-00454-RP, Document #28, Jul. 14, 2016, 12 pages.

United States District Court Western District of Texas Austin Division, “Wal-Mart Stores, Inc.’s Answer to First Amended Complaint,” *YETI Coolers, LLC v. Wal-Mart Stores, Inc. and Olympia Tools International, Inc.*, Case: 1:16-cv-00454-RP, Document #22, Jun. 7, 2016, 13 pages.

United States District Court Western District of Texas Austin Division, “Plaintiffs’ Complaint for Damages and Injunctive Relief,” *YETI Coolers, LLC v. Houssam Rabi d/b/a Hoo-Sizzy*, Case 1:17-cv-00418, Document 1, filed May 5, 2017, 84 pages.

United States District Court Western District of Texas Austin Division, “Plaintiffs’ Complaint for Damages and Injunctive Relief,” *YETI Coolers, LLC v. Seth Stevens d/b/a SDS Marketing d/b/a Eskimo Coolers, Panther Group LLC d/b/a Eskimo Coolers, Panther Group Sales, LLC d/b/a Eskimo Coolers, and Silver Fox Sales, LLC*, Case 1:17-cv-00423, Document 1, filed May 5, 2017, 283 pages.

United States District Court Western District of Texas Austin Division, “Complaint” *YETI Coolers, LLC v. Zhejiang Zhuosheng Industry & Trade Co, Ltd., d/b/a Wuyi Zhuosheng Household Metal Products Co., Ltd., d/b/a Yongkang Zhuosheng Metal Products Co., Ltd., d/b/a Zhejiang Zhuosheng Industry & Trade Co, Ltd.*, Case 1:17-cv-00821, Document 1, filed Aug. 23, 2017, 27 pages.

United States District Court Western District of Texas Austin Division, “Second Amended Complaint,” *YETI Coolers, LLC v. Sam’s West, Inc., and Sam’s East, Inc., and CY Top, Ltd.*, Case: 1:16-cv-00829-RP, Document #51, filed Sep. 22, 2017, 49 pages.

United States District Court Western District of Texas Austin Division, “Complaint,” *YETI Coolers, LLC v. Bonanza.com, Inc.*, Case: 1:17-cv-00935, Document #1, filed Sep. 28, 2017, 142 pages.

United States District Court Western District of Texas Austin Division, “Complaint,” *YETI Coolers, LLC v. Alibaba Group Holding Limited, Alibaba (China) Technology Co., Ltd., Alibaba.com Hong Kong Limited, Alibaba.com Singapore E-Commerce Private Limited, Hangzhou Alibaba Advertising Co. Ltd., and Huizhou Dashu Trading Co., Ltd.*, Case: 1:17-cv-00936, Document #1, filed Sep. 28, 2017, 272 pages.

United States District Court Western District of Texas, Austin Division, “Complaint for Damages and Injunctive Relief,” *YETI Coolers, LLC v. Hooked Coolers, Inc.*, Case 1:21-cv-00633, Document 1, filed Jul. 16, 2021, 28 pages.

“New 16oz Insulated Coffee Travel Mug Stainless Steel Double Wall Thermos Tumbler”, retrieved from <<http://www.ebay.com/itm/New-16oz-Insulated-COFFEE-TRAVEL-MUG-Stainless-Steel-Double-Wall-Thermos-Tumbler-/171416296921>> on Aug. 27, 2015.

“TM263 16 oz Printed Stainless Steel Travel Mugs with Handle”; Discount Mugs; retrieved Sep. 24, 2019; disclosure date unknown but prior to the filing date of the present application; URL: <<https://www.discountmugs.com/product/tm263-16-oz-printed-stainless-steel-travel-mugs-with-handle/?quantity=>>.

“Tervis Travel Lids”, Tervis.com, captured Nov. 20, 2015, pp. 1.

“Stainless Steel Tumbler”, Starbucks.com, captured Nov. 20, 2015, pp. 1.

“Tumbler”, Corkcicle.com, captured Nov. 20, 2015, pp. 1-2.

Apr. 4, 2017—(PCT) International Search Report and Written Opinion—App PCT/US2016/059514.

(56)

References Cited

OTHER PUBLICATIONS

English translation of Office Action dated Oct. 18, 2016 for JP Application No. 2016-004374, 4 pages.

Mar. 16, 2020—(CN) Office Action—App. No. 201780029765.X.

Jun. 7, 2021—(CN) Office Action—App. No. 2021301668853.

Feb. 6, 2020—(WO) International Search Report & Written Opinion—PCT/US19/057420.

Sep. 6, 2021—(WO) Partial International Search—PCT/US2021/030256.

Nov. 2, 2021—(WO) International Search Report & Written Opinion—PCT/US21/030256.

Dec. 16, 2021—(CN) Invalidation Notice against ZL 201630159653.4.

Jan. 30, 2022—(CN) First Office Action—App. No. 201980070432.0.

Mar. 31, 2022—(AU) Examination Report No. 1—App. No. 2019368252.

“Rambler 30oz Tumbler”, yeti.com, retrieved Sep. 7, 2022, published date unknown, prior to the filing date of the present Application, URL: <https://www.yeti.com/drinkware/tumblers/30oz/21070070019.html?country=US¤cy=USD&gclid=EAIaIQobChMI-4u_xJSD-gIVDteGChOG3godEAQYASABEgJS9PD_BwE&gclid=aw.ds>.

“Rambler 20oz Tumbler”, yeti.com, retrieved Sep. 7, 2022, published date unknown, prior to the filing date of the present Applica-

tion, URL: <https://www.yeti.com/drinkware/tumblers/21070060018.html?country=US¤cy=USD&gclid=EAIaIQobChMIInOKHxpD-gIVXPbjBx2yvQrsEAQYASABEgIEIPD_BwE&gclid=aw.ds>.

“Osulloc Green Cup,” retrieved from http://www.edaymall.com/display/goods.do?media_code=E06&goods_code=10183708 on Sep. 6, 2016.

Apr. 4, 2017—(PCT) Written Opinion and International Search Report App PCT/US2016/059514.

“Mens Military Tactical Camouflage Camo T Shirt Army Combat New Cotton Hunting”; ebay; retrieved Jan. 17, 2020 disclosure date unknown but prior to the filing date of the present application; URL: <https://www.ebay.com/itm/MENS-MILITARY-TACTICAL-CAMOUFLAGE-CAMO-T-SHIRT-ARMY-COMBAT-NEW-COTTON-HUNTING-/302197669316>.

“Element EX353 Camo Water Bottle”; 365 AirSoft Shop; retrieved Jan. 17, 2020; disclosure date unknown but prior to the filing date of the present application; URL: www.365airsoftshop.com/.

Tumbler | posted at thelacecactus.com, no posted date, © 1996-2019 [site visited Dec. 14, 2019]. Available from Internet, <URL: <https://thelacecactus.com/products/camo-tumbler>> (Year: 2019).

Dec. 22, 2021—(JP) Notification of Reason for Provisional Refusal—App. No. 2021-006754.

Apr. 8, 2022—(EP) Article 94(3) EPC Communication—App. No. 19802004.2.

Jun. 22, 2022—(JP) Office Action—App. No. 2021-522098.

Jul. 27, 2022—(CA) Examination Report—App. No. 3122967.

* cited by examiner

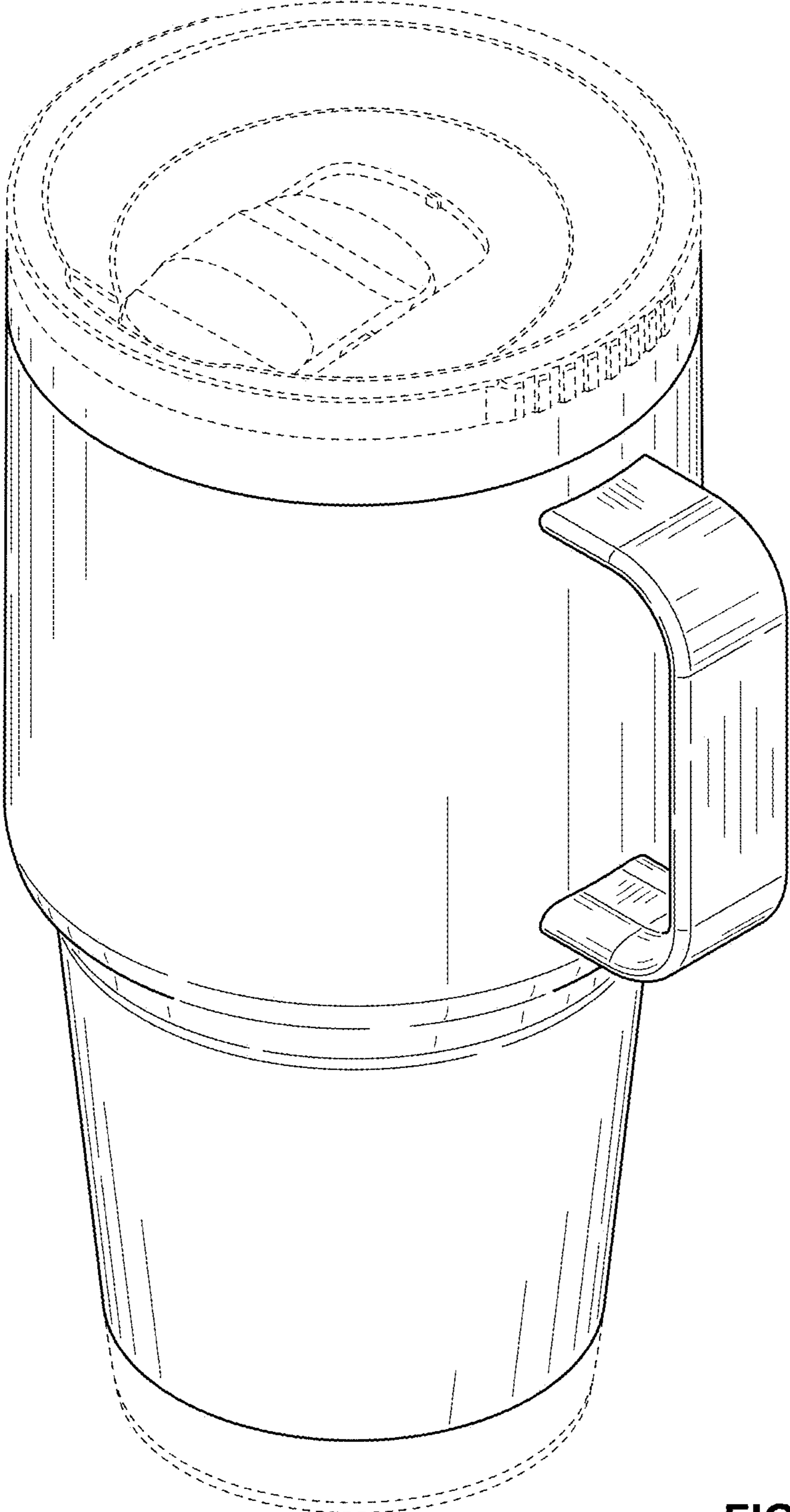


FIG. 1

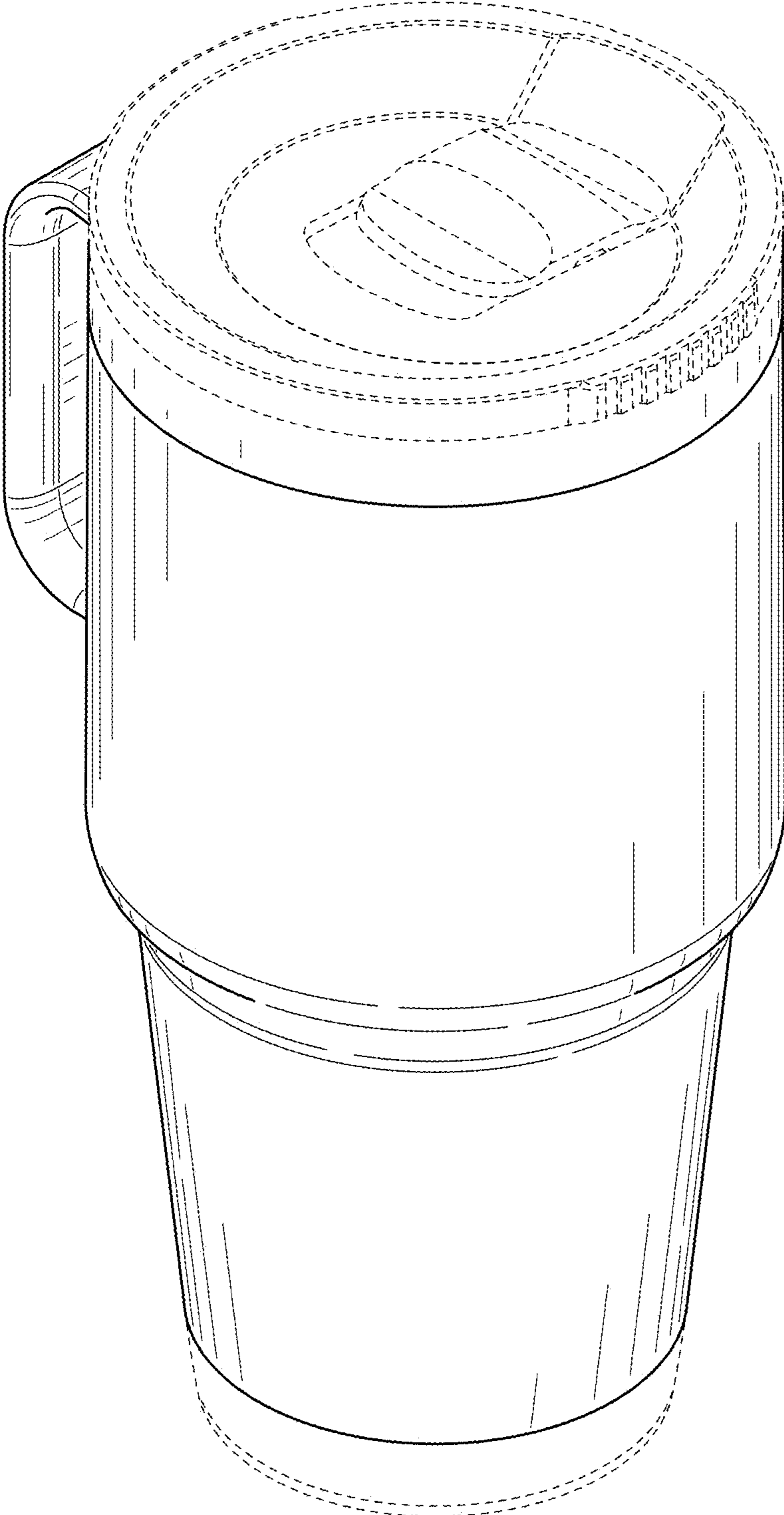


FIG. 2

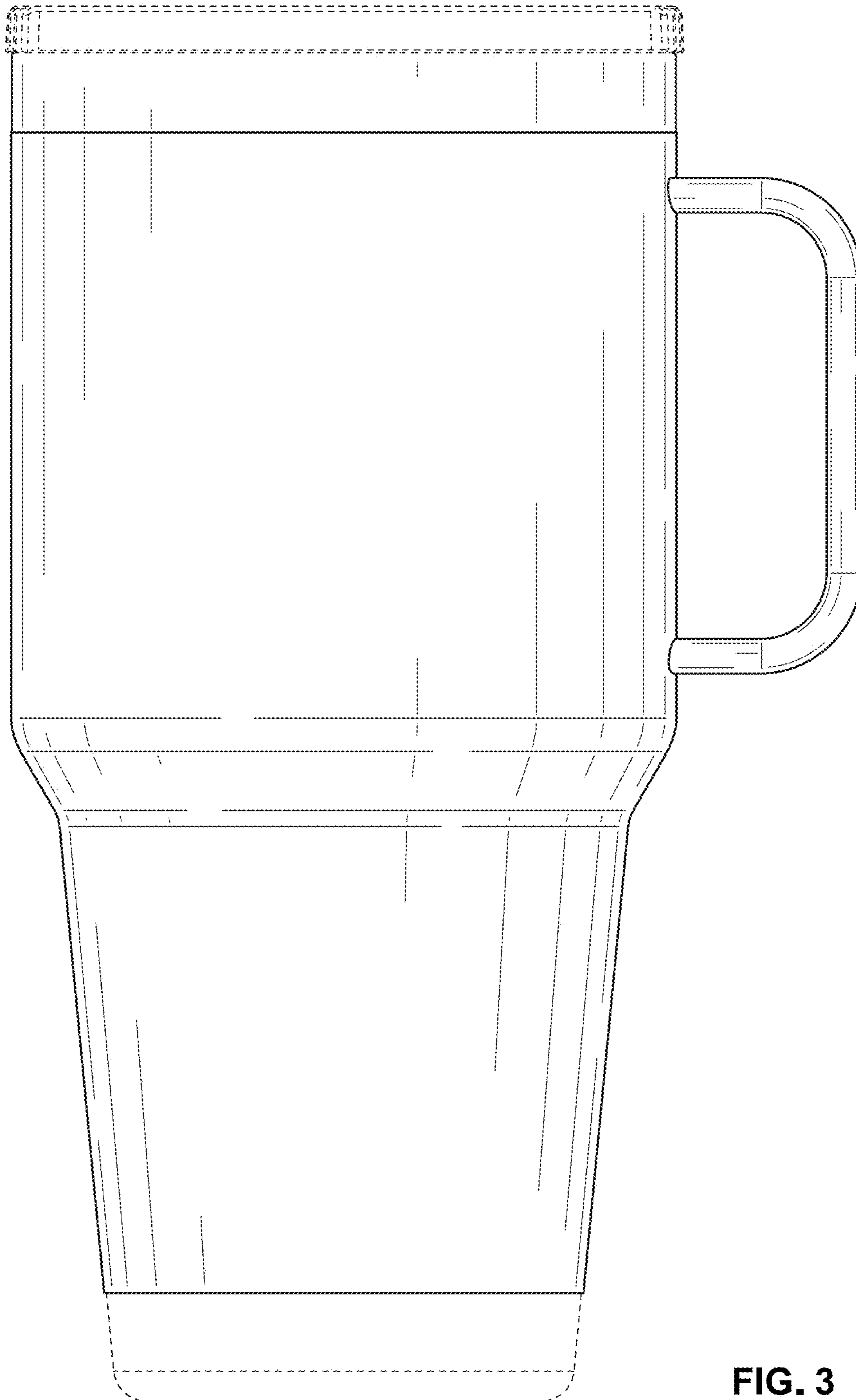


FIG. 3

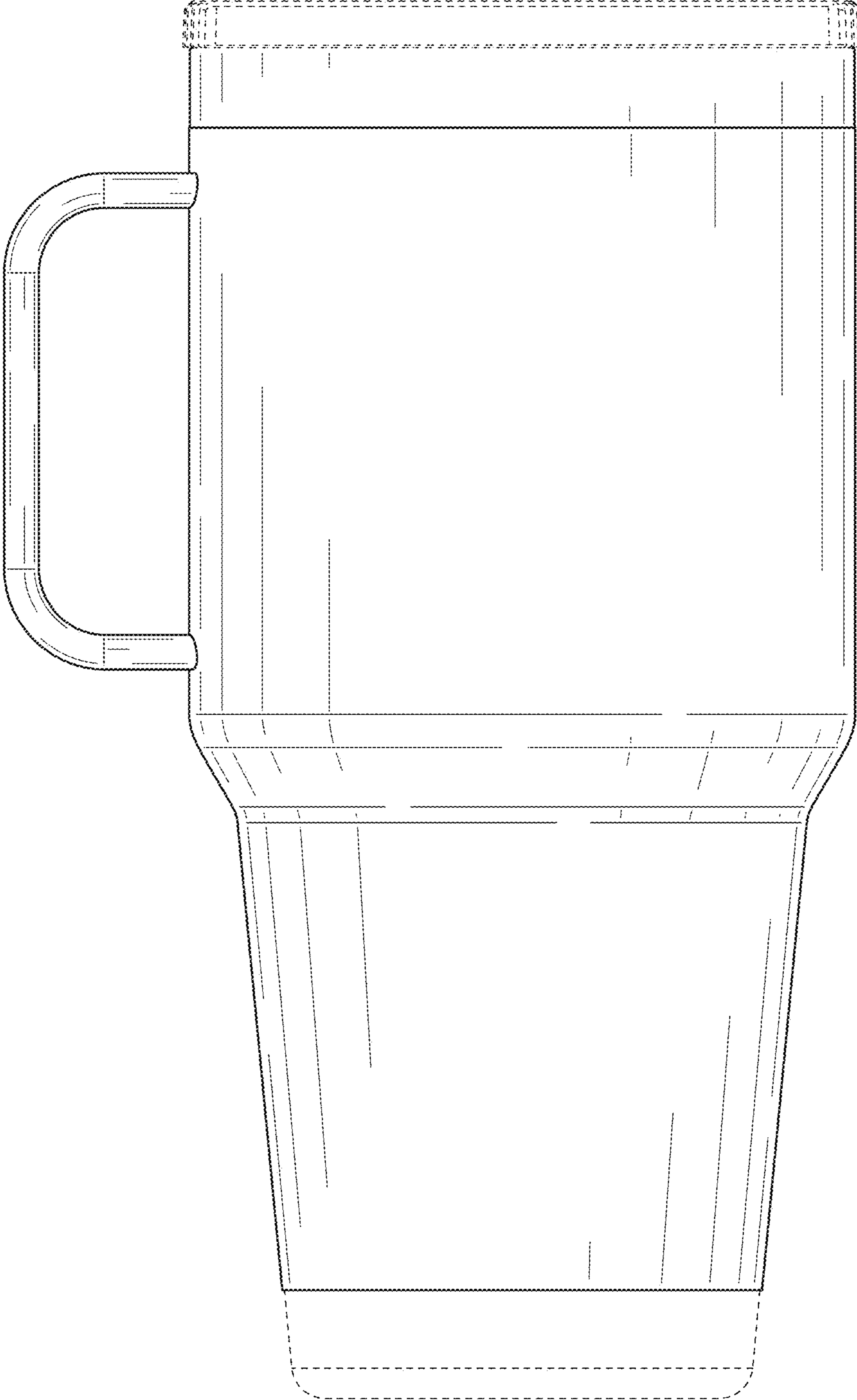


FIG. 4

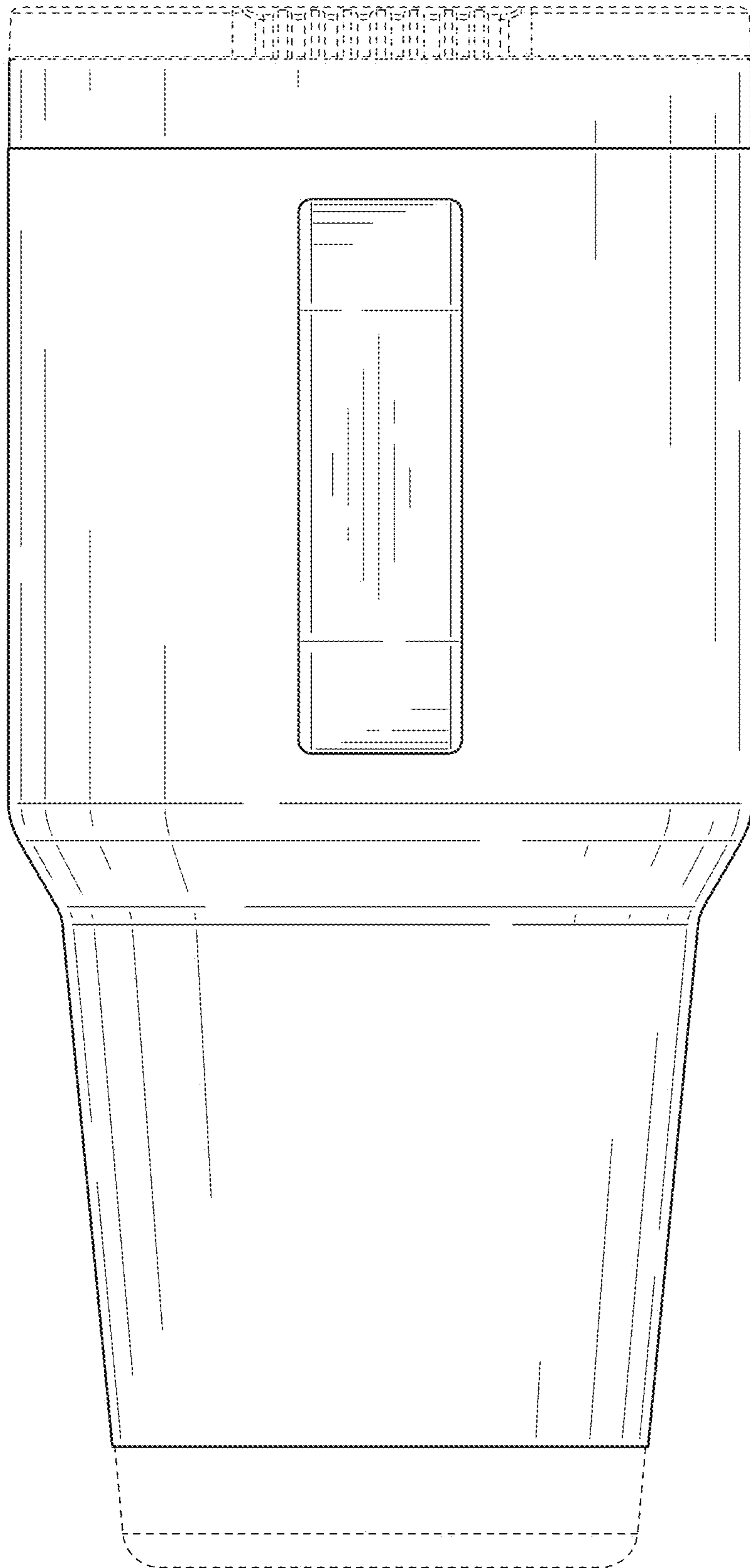


FIG. 5

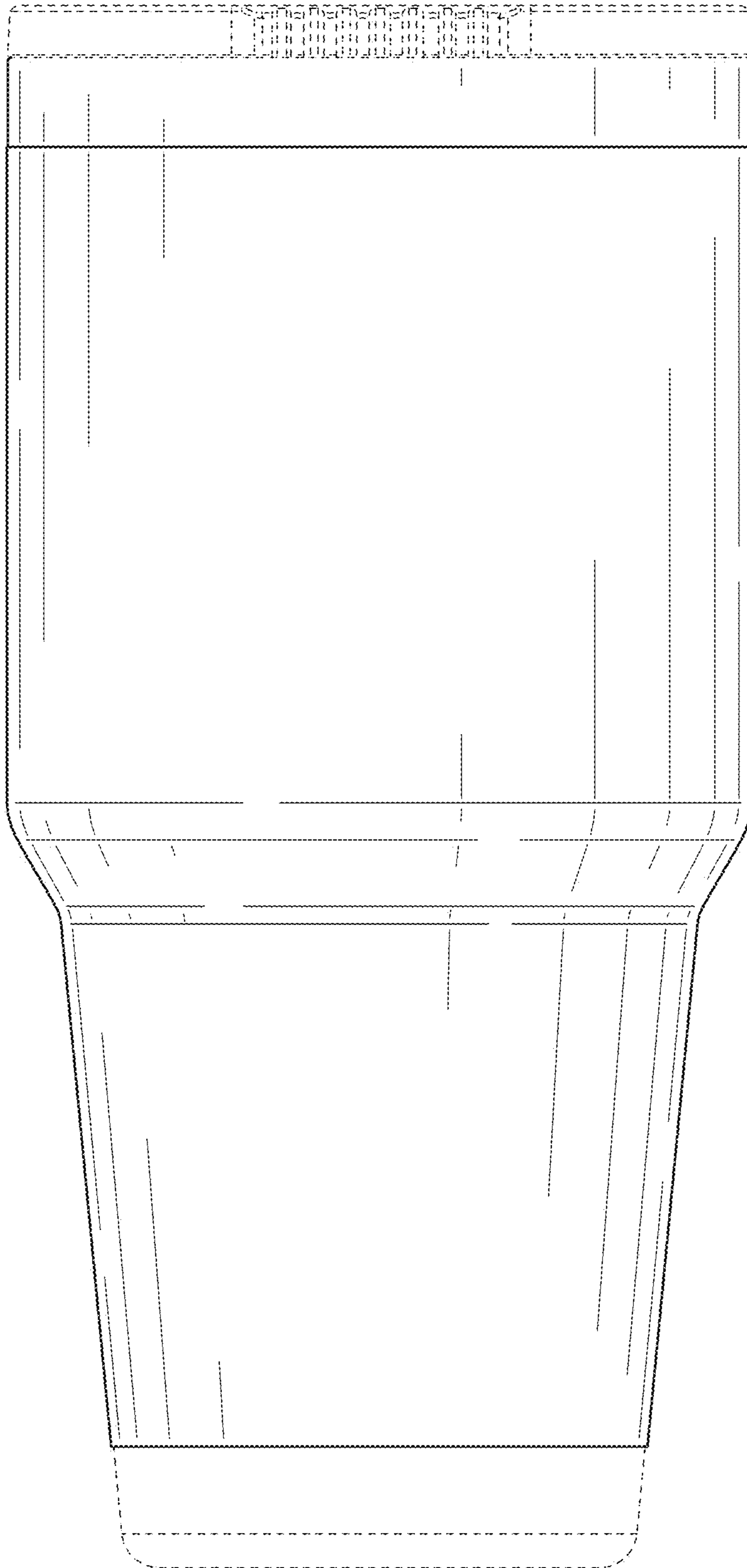


FIG. 6

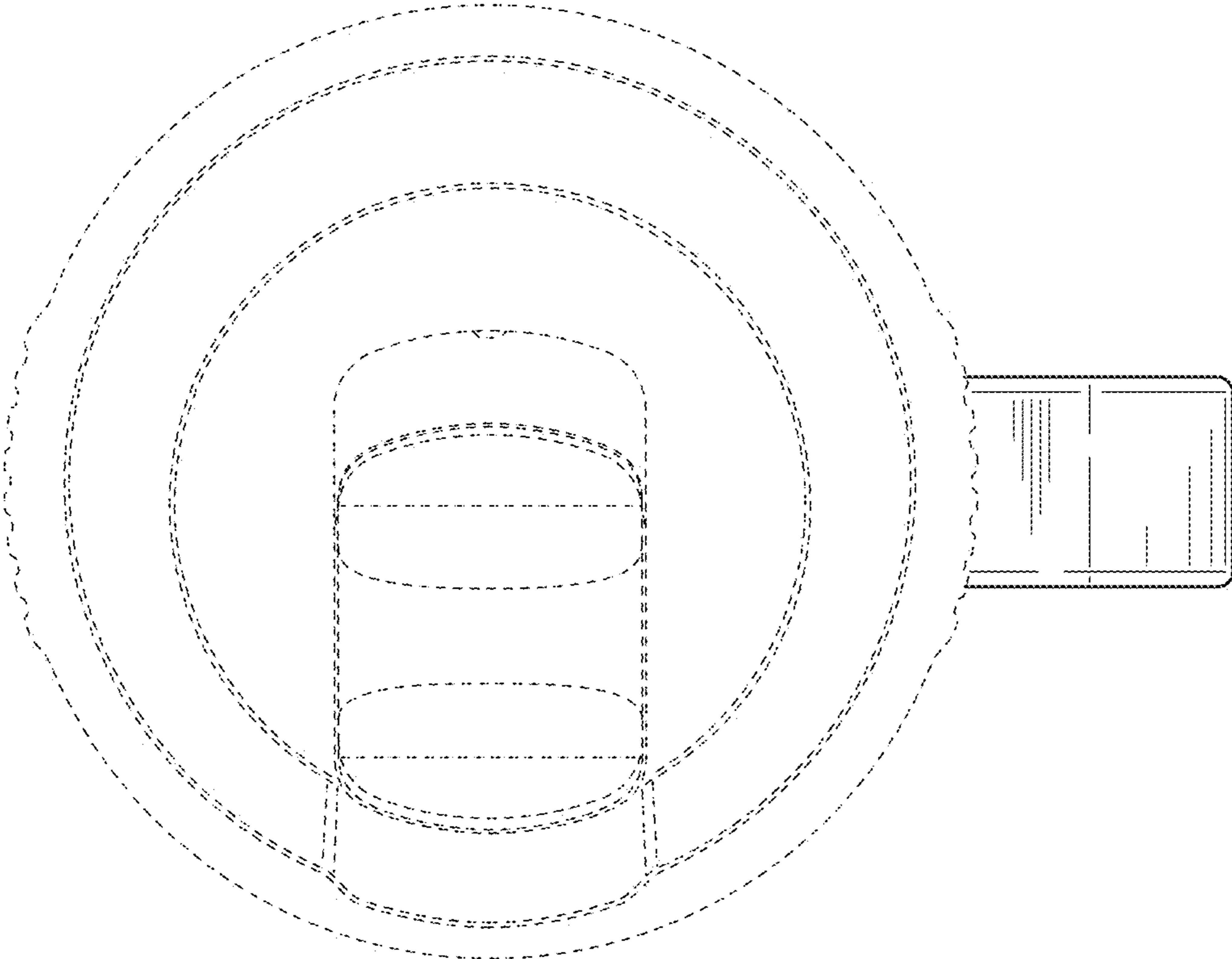


FIG. 7

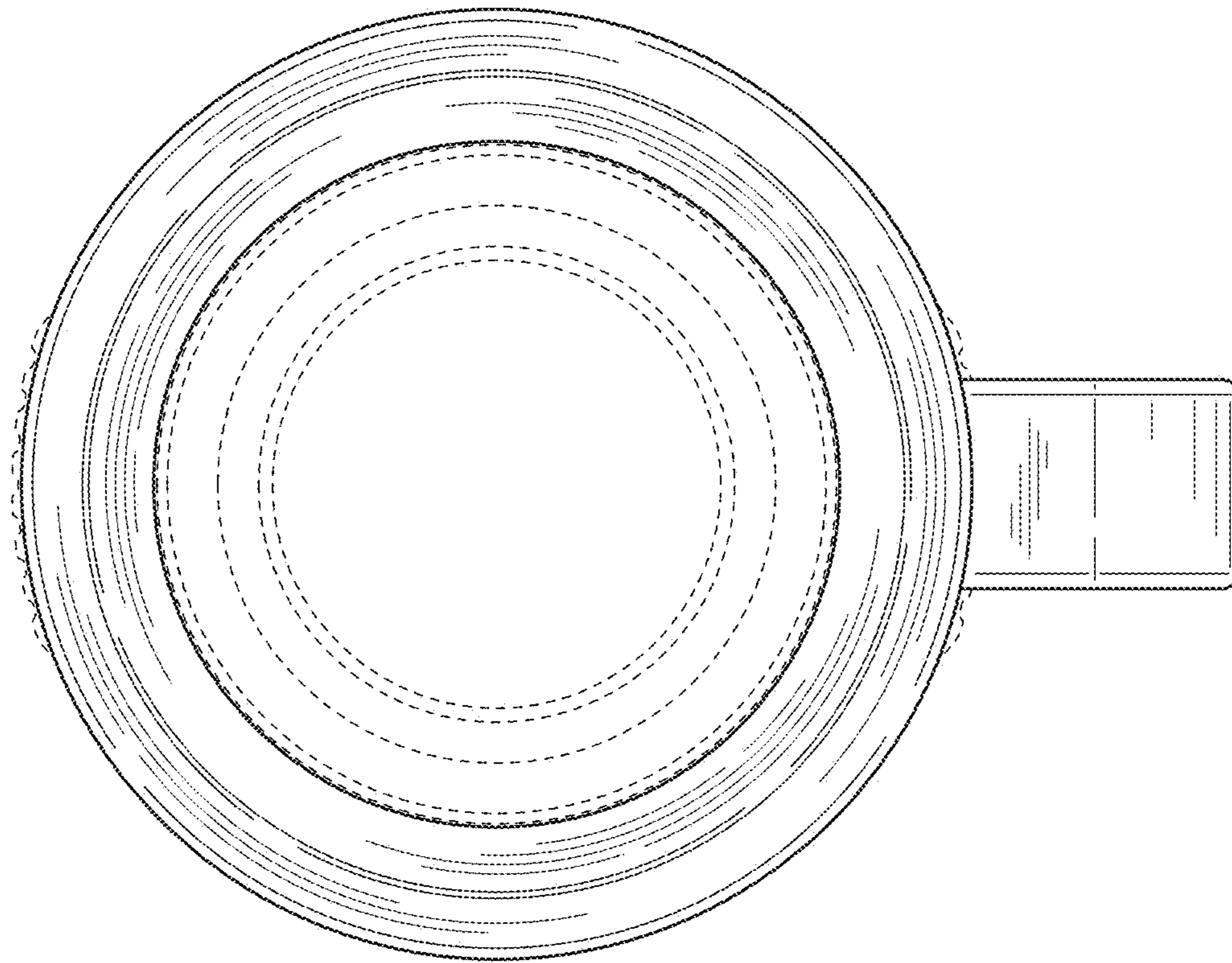


FIG. 8