



US00D977911S

(12) **United States Design Patent** (10) **Patent No.:** **US D977,911 S**
Zhong (45) **Date of Patent:** **** Feb. 14, 2023**

(54) **THERMOS BOTTLE**
(71) Applicant: **Yu He**, Yangjiang (CN)
(72) Inventor: **Yaixin Zhong**, Guangzhou (CN)
(73) Assignee: **Yu He**, Yangjiang (CN)
(**) Term: **15 Years**
(21) Appl. No.: **29/840,483**

10,455,959 B2 * 10/2019 Coon B65D 47/0871
D878,866 S * 3/2020 Cheng D7/510
D884,419 S * 5/2020 Backs D7/397
D897,763 S * 10/2020 Feng D9/453
D903,418 S * 12/2020 Hu B65D 47/32
D7/532
D915,821 S * 4/2021 Ludolph A45F 3/16
D7/392.1
D917,954 S * 5/2021 Yao B65D 77/283
D9/516
D944,597 S * 3/2022 Bourgeois B65D 47/0871
D7/510

(Continued)

(22) Filed: **May 30, 2022**
(51) **LOC (14) Cl.** **07-01**
(52) **U.S. Cl.**
USPC **D7/511**
(58) **Field of Classification Search**
USPC D7/392.1, 396.2, 396.3, 387, 507, 509,
D7/510, 511, 523, 528, 532, 591, 608,
D7/624.1, 624.2, 629; D9/434, 449, 435,
D9/436, 440, 447, 454, 503, 905
CPC A45F 3/16; A47G 19/22; A47G 19/2227;
A47G 19/2272; A47G 19/2205; A47G
19/2288; A47J 41/00; A47J 41/0005;
A47J 41/0072; B65D 1/023; B65D
41/0485; B65D 43/00; B65D 43/24;
B65D 50/061; B65D 81/38; B65D
81/3841; B65D 81/3844; B65D 81/3869;
B65D 81/3881; F25D 3/06; F25D 3/08
See application file for complete search history.

FOREIGN PATENT DOCUMENTS

GB 6141027 * 6/2021

OTHER PUBLICATIONS

Hydrate 2.One Water Bottle, posted at Amazon.co.uk on Jul. 2, 2017, [site visited Sep. 8, 2022]. Available from internet, URL: <<https://www.amazon.co.uk/dp/B0739BK4HN/>> (Year: 2017).*

Primary Examiner — Andrew Kerr
Assistant Examiner — Chariton Alexakis

(57) **CLAIM**

The ornamental design for a thermos bottle, as shown and described.

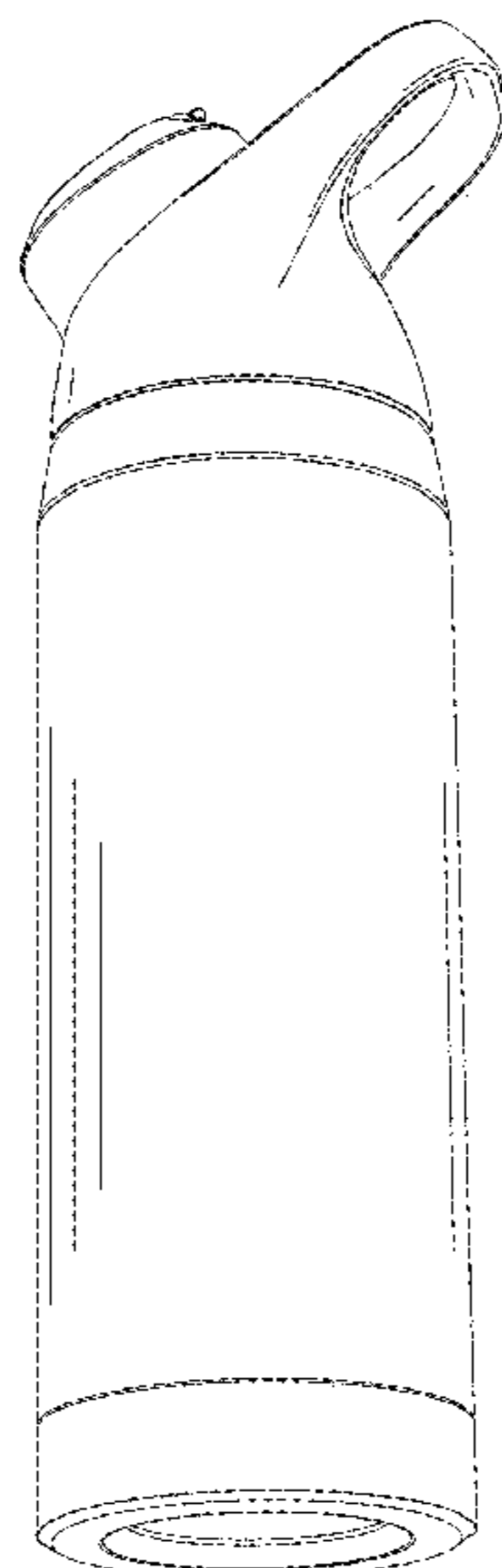
DESCRIPTION

FIG. 1 is a bottom perspective view of a thermos bottle, showing my new design;
FIG. 2 is a top perspective view thereof;
FIG. 3 is a front view thereof;
FIG. 4 is a rear view thereof;
FIG. 5 is a left side view thereof;
FIG. 6 is a right side view thereof;
FIG. 7 is a top view thereof; and,
FIG. 8 is a bottom view thereof.

1 Claim, 8 Drawing Sheets

(56) **References Cited**
U.S. PATENT DOCUMENTS

D466,357 S 12/2002 Bornancini
D586,184 S * 2/2009 Miller D7/511
D729,569 S * 5/2015 Herbst D7/510
D760,080 S * 6/2016 Gorbald D9/443
9,776,777 B2 * 10/2017 Gorbald B65D 47/32
D802,993 S * 11/2017 Joseph D7/392.1
D818,317 S * 5/2018 Fu D7/532
D818,774 S * 5/2018 Stover D7/532
D830,771 S * 10/2018 Lin D7/510



(56)

References Cited

U.S. PATENT DOCUMENTS

2015/0173539 A1* 6/2015 Mason B65D 77/283
220/715
2019/0177049 A1* 6/2019 Farsai A45F 3/16

* cited by examiner

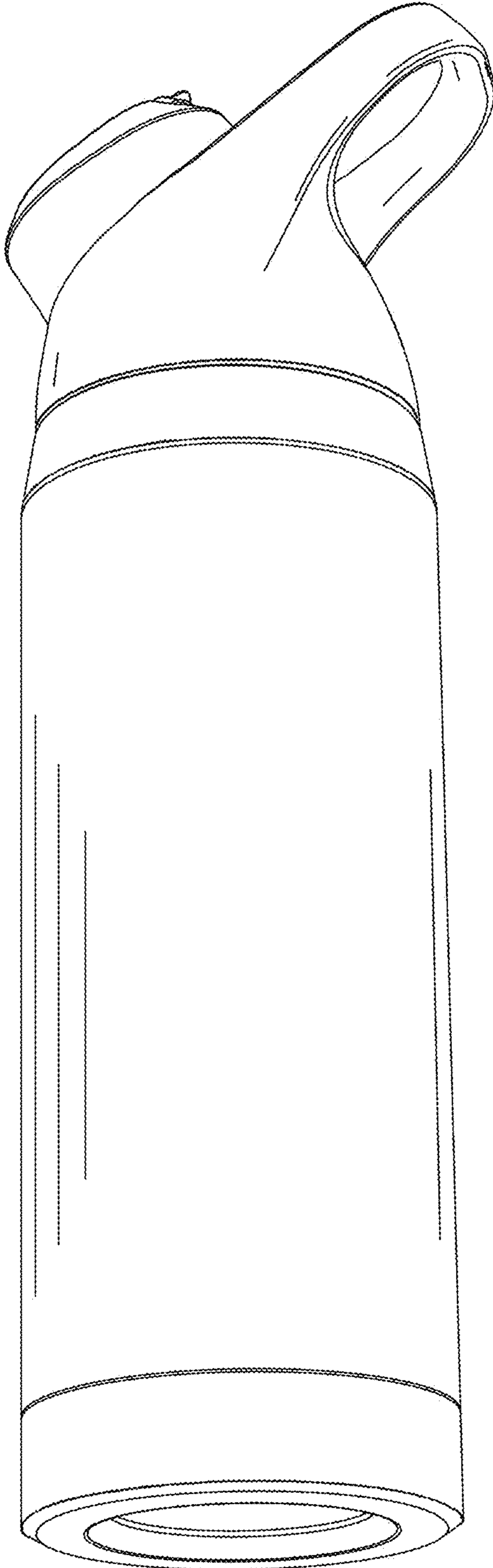


FIG. 1

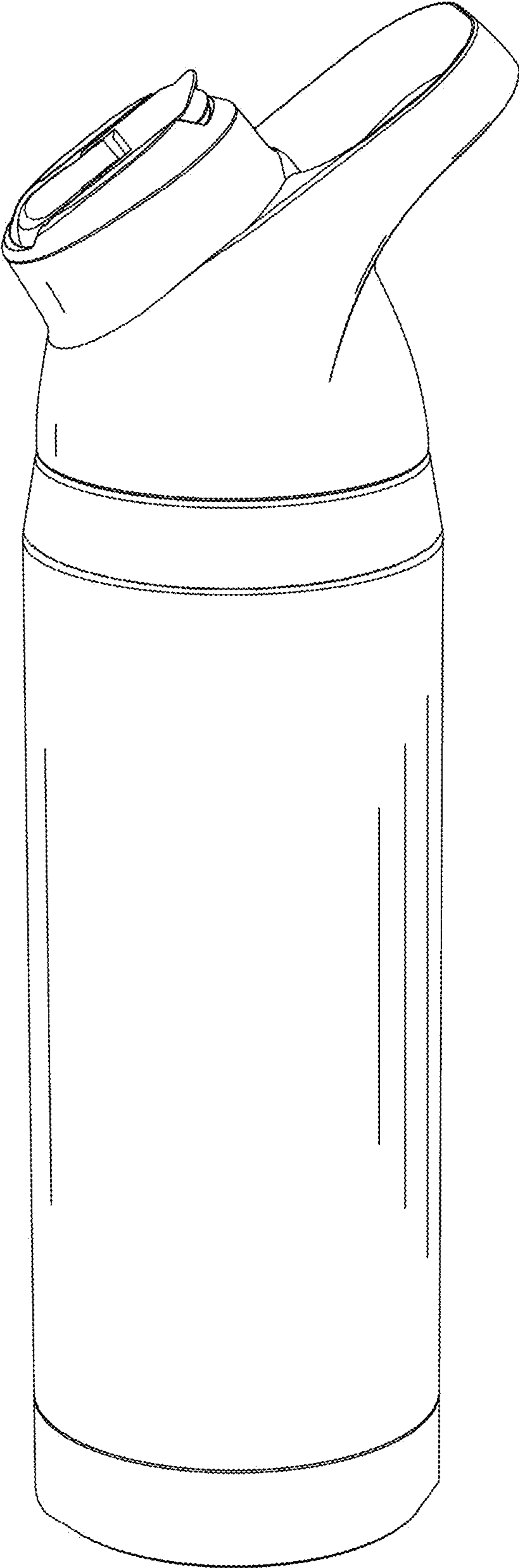


FIG. 2

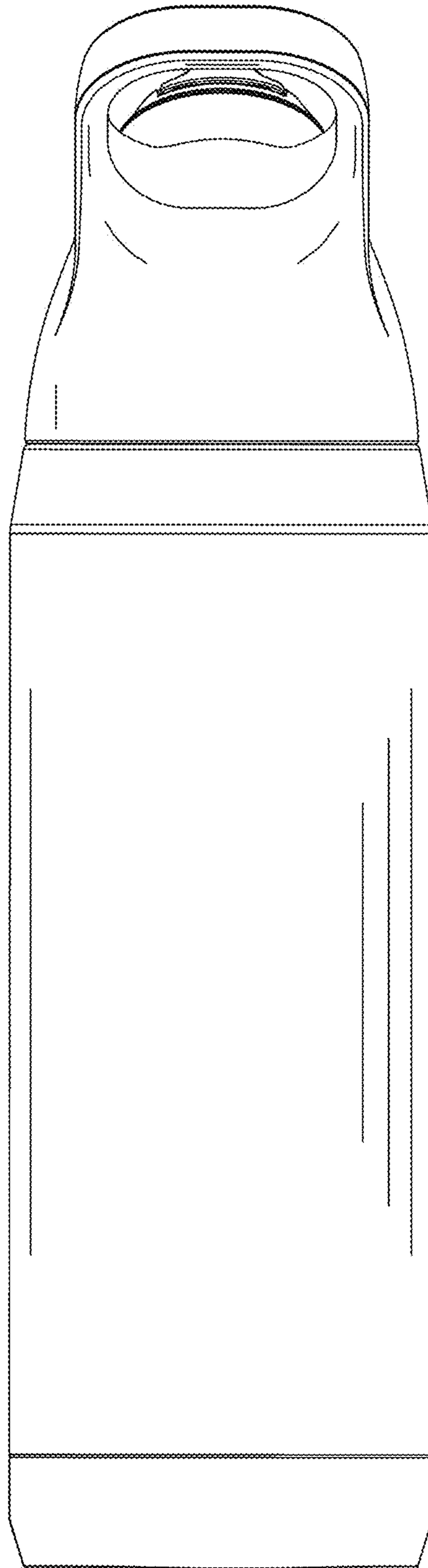


FIG. 3

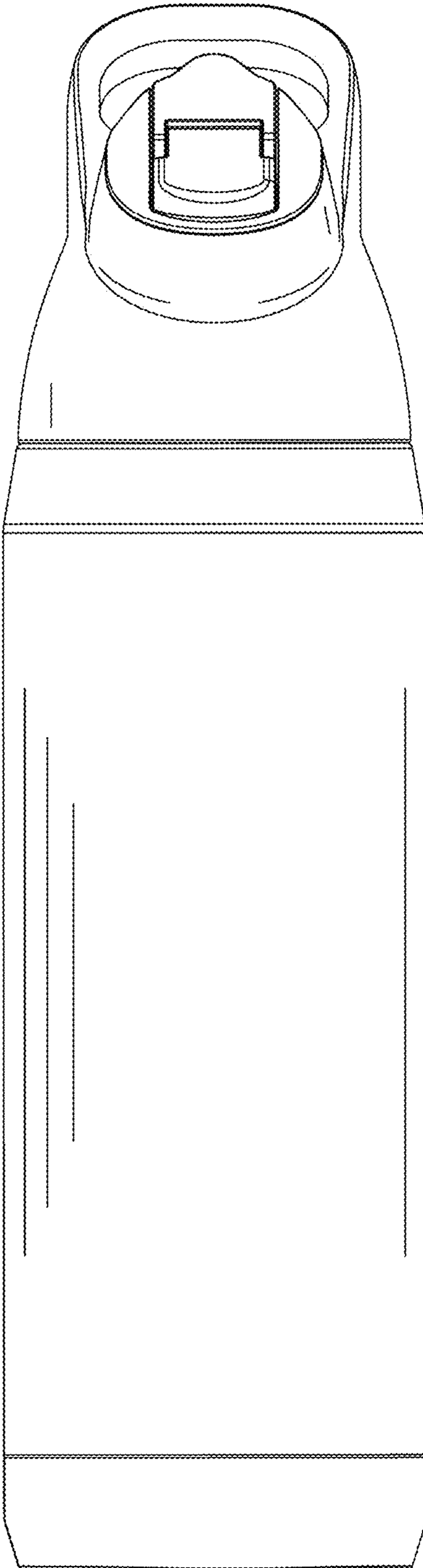


FIG. 4

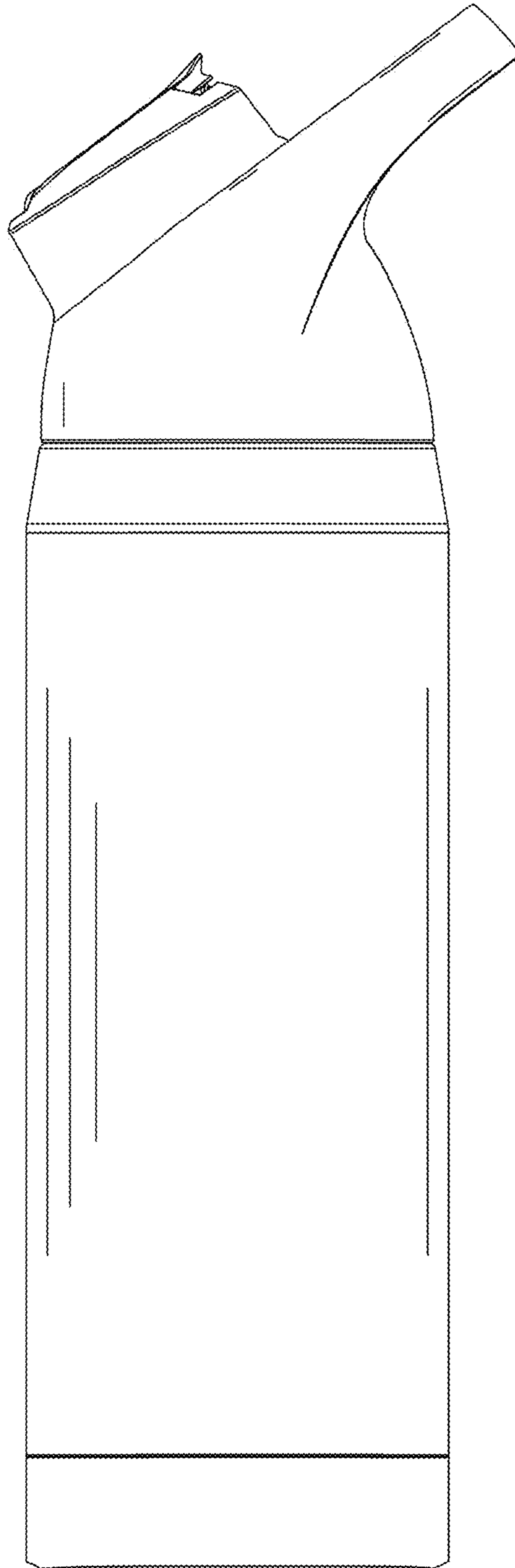


FIG. 5

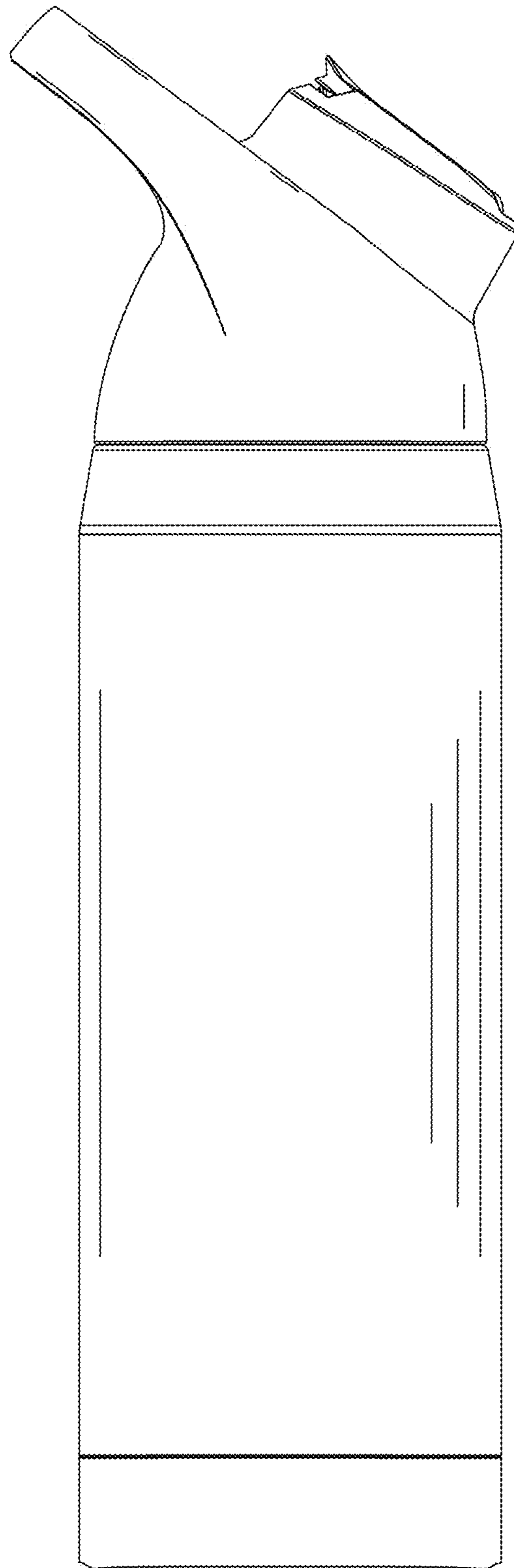


FIG. 6

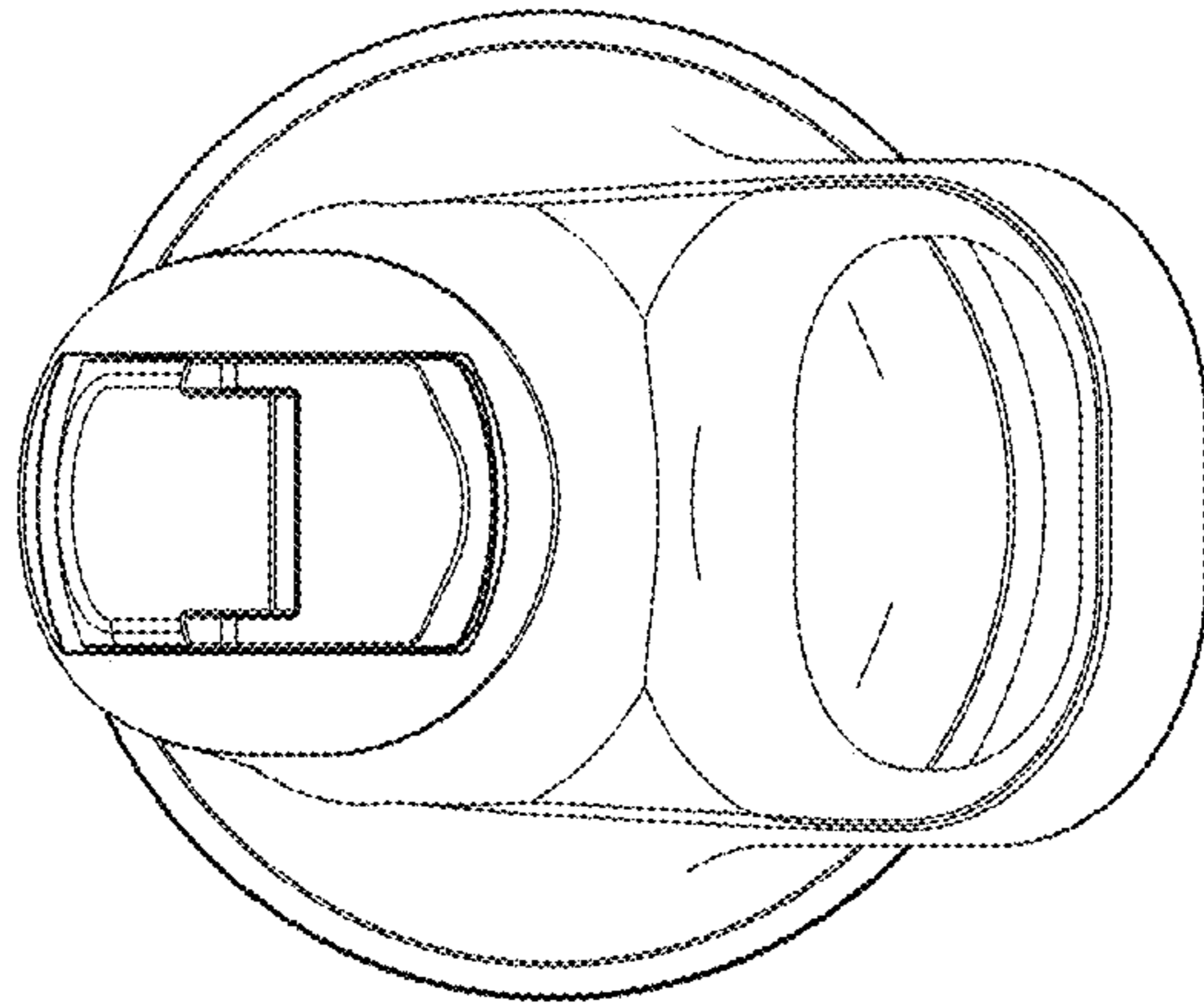


FIG. 7

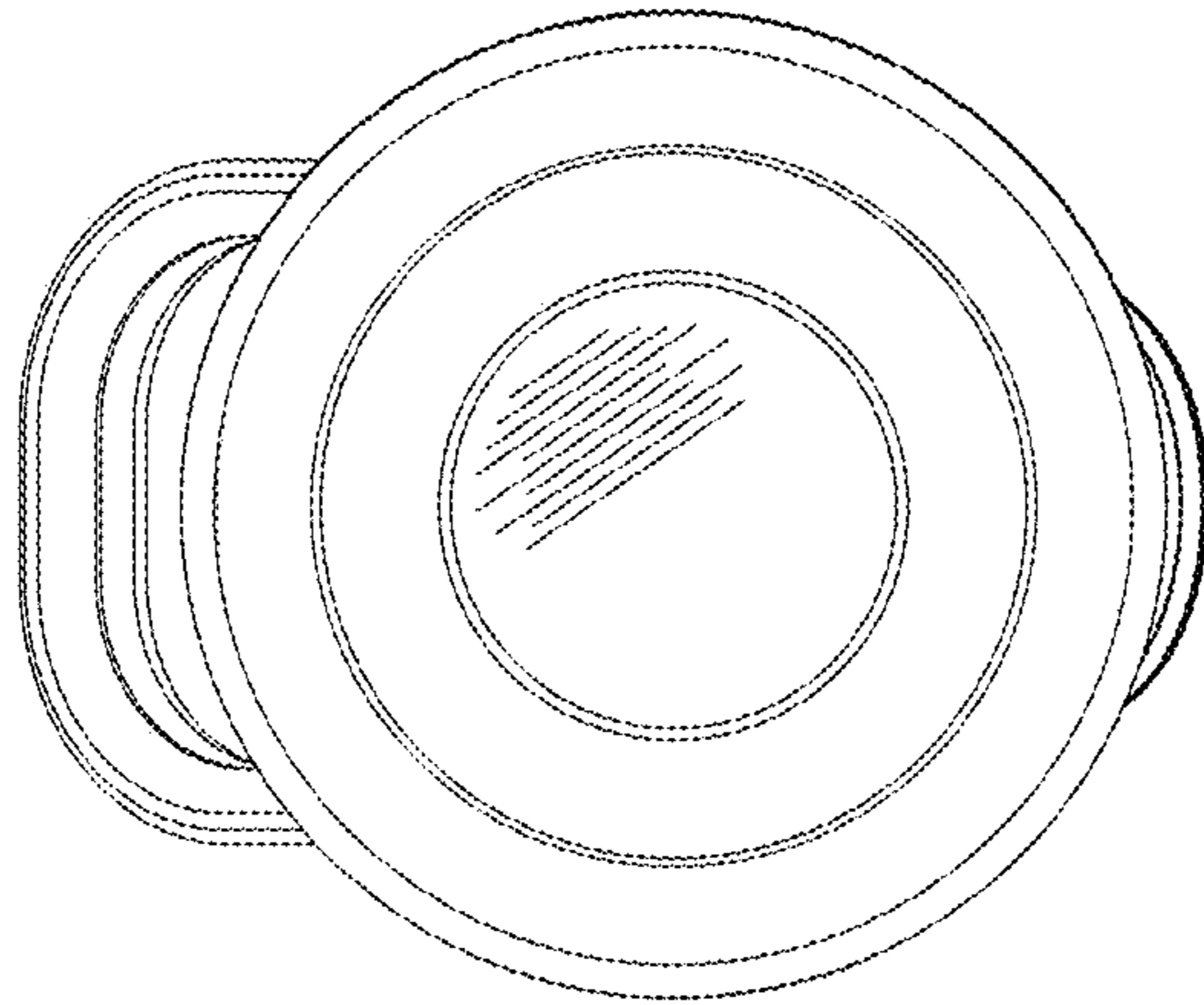


FIG. 8