



US00D977910S

(12) **United States Design Patent** (10) **Patent No.:** **US D977,910 S**
Beckstrom (45) **Date of Patent:** **** Feb. 14, 2023**

(54) **FOOD BLENDER JAR** D309,077 S * 7/1990 Pomroy D7/318
5,289,953 A * 3/1994 McMillan, III A47G 19/12
222/478
(71) Applicant: **CONAIR CORPORATION**, Stamford, CT (US) 5,383,613 A 1/1995 Sundquist
5,533,797 A 7/1996 Gelber
5,957,577 A 9/1999 Dickson et al.
(72) Inventor: **David William Beckstrom**, Roxbury, CT (US) D424,865 S 5/2000 Crescenzi et al.
6,571,908 B2 6/2003 Bohannon et al.
D528,363 S * 9/2006 Ulanski D7/413
(73) Assignee: **Conair LLC**, Stamford, CT (US) (Continued)

(**) Term: **15 Years**

FOREIGN PATENT DOCUMENTS

(21) Appl. No.: **29/758,149** CN 305863223 * 6/2020
WO WOD101251-019 * 1/2018

(22) Filed: **Nov. 12, 2020**

OTHER PUBLICATIONS

(51) **LOC (14) Cl.** **07-04**

Vitamix Explorian Blender, posted at Amazon.com on Aug. 31, 2017, [site visited Jul. 27, 2022]. Available from internet, URL: <<https://www.amazon.com/dp/B0758JHZM3/>> (Year: 2017).*

(52) **U.S. Cl.**

USPC **D7/413**

(58) **Field of Classification Search**

USPC D7/306, 309, 318, 372, 374, 376, 377, D7/378, 379, 380, 381, 383, 384, 385, D7/386, 412, 413, 598, 600, 602, 694; D9/516, 517, 520, 531, 549, 738, 739, D9/742

CPC .. A21C 1/02; A21C 1/04; A23G 9/045; A23N 1/00; A23N 1/02; A47G 19/12; A47J 43/04; A47J 43/042; A47J 43/044; A47J 43/046; A47J 43/07; A47J 43/075; A47J 43/0722; A47J 43/0727; A47J 43/25; A47J 43/27; B01F 27/808; B02C 1/08; B02C 2/04; B02C 4/42; B02C 4/142; B02C 4/143; B02C 4/423; B02C 13/1835; B28C 5/10; B28C 5/12; B28C 5/14; B28C 5/16

See application file for complete search history.

Primary Examiner — Andrew Kerr
Assistant Examiner — Chariton Alexakis
(74) *Attorney, Agent, or Firm* — Grogan, Tuccillo & Vanderleeden, LLP

(57) **CLAIM**

The ornamental design for a food blender jar, as shown and described.

DESCRIPTION

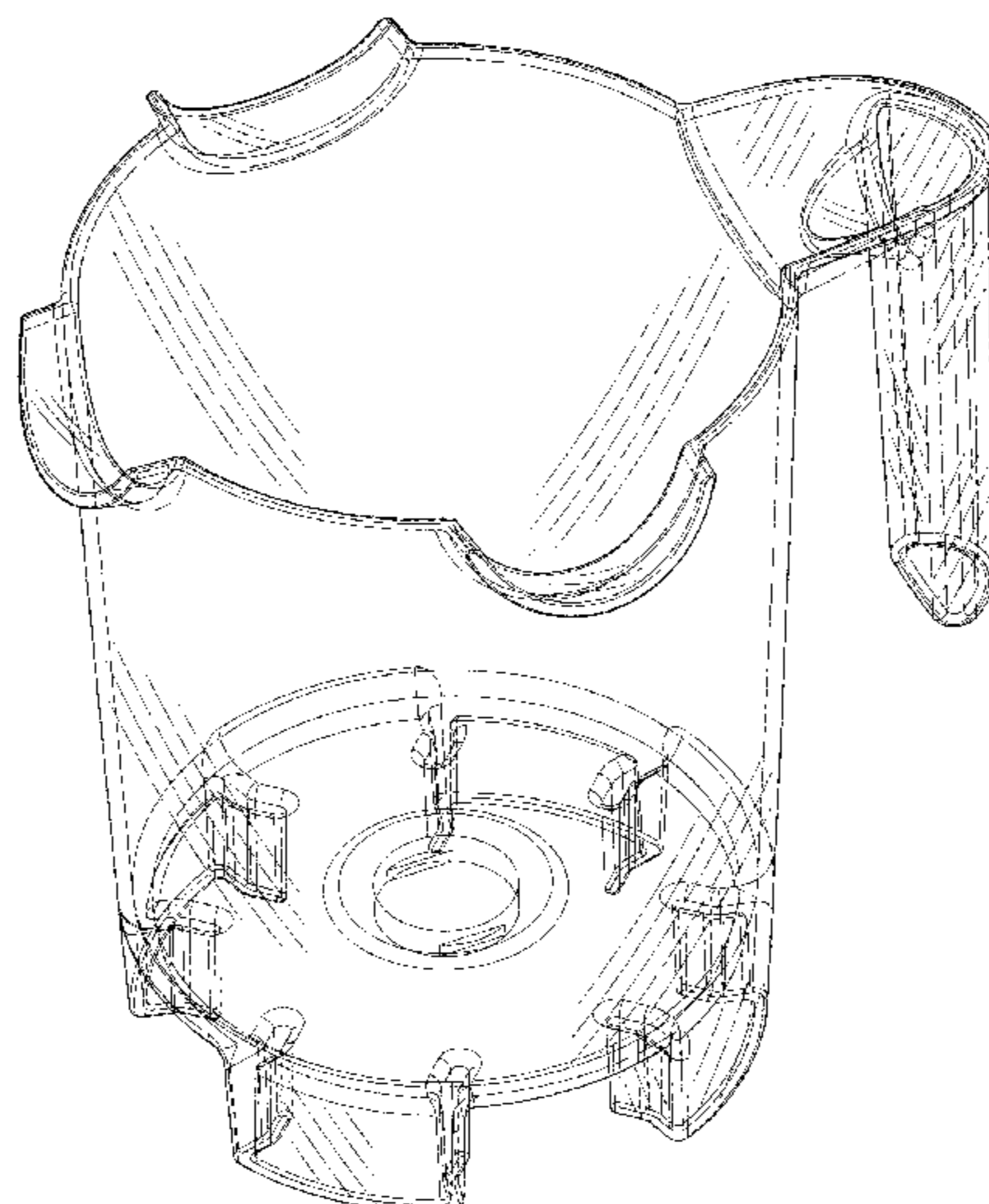
FIG. 1 is a perspective view of a food blender jar showing a new design;
FIG. 2 is a left side elevational view thereof;
FIG. 3 is a right side elevational view thereof;
FIG. 4 is a front elevational view thereof;
FIG. 5 is a rear elevational view thereof;
FIG. 6 is a top plan view thereof; and,
FIG. 7 is a bottom plan view thereof.
The broken lines in the drawings depict portions of the food blender jar that form no part of the claimed design.

1 Claim, 7 Drawing Sheets

(56) **References Cited**

U.S. PATENT DOCUMENTS

2,930,596 A 3/1960 Waters
3,250,518 A 5/1966 Van Rossem
3,415,497 A 12/1968 Johnson
RE27,002 E 12/1970 Stephan et al.
4,100,613 A 7/1978 Shaeffer



(56)

References Cited

U.S. PATENT DOCUMENTS

D528,364 S 9/2006 Kolar et al.
 D553,418 S * 10/2007 Sortore D7/319
 D553,433 S * 10/2007 Picozza D7/413
 7,350,963 B2 * 4/2008 Williams A47J 43/0727
 366/205
 D568,088 S * 5/2008 Maxwell D7/319
 D587,526 S * 3/2009 Barnard D7/413
 D588,406 S * 3/2009 Ulanski D7/413
 D621,656 S * 8/2010 Ulanski D7/378
 8,087,603 B2 1/2012 Kolar et al.
 D661,548 S * 6/2012 Brinckerhoff D7/378
 9,095,238 B2 * 8/2015 Lee A47J 43/046
 9,681,778 B2 6/2017 Pendleton et al.
 D798,109 S * 9/2017 Ulanski A47J 43/046
 D7/378
 9,770,133 B2 9/2017 Dickson, Jr. et al.
 D808,718 S * 1/2018 Coakley A47J 43/0727
 D7/378

D811,167 S * 2/2018 Smith A47G 19/12
 D7/378
 D838,538 S 1/2019 Carlson
 10,357,131 B2 7/2019 Dickson, Jr. et al.
 10,357,749 B2 7/2019 Fleming
 D883,021 S 5/2020 McConnell et al.
 10,638,884 B2 5/2020 Zakowski et al.
 D900,548 S * 11/2020 Lee A47J 43/046
 D7/378
 D905,504 S * 12/2020 Upston B01F 27/808
 D7/378
 D923,405 S * 6/2021 Kettavong A47J 43/0727
 D7/378
 2006/0261066 A1 * 11/2006 Boozer A47J 43/0727
 D7/378
 2007/0165484 A1 * 7/2007 Branson A47J 43/046
 366/205
 2014/0286123 A1 * 9/2014 Arnett B01F 27/808
 366/205
 2014/0299701 A1 10/2014 Zakowski
 2020/0375402 A1 * 12/2020 Krivos A47J 43/046

* cited by examiner

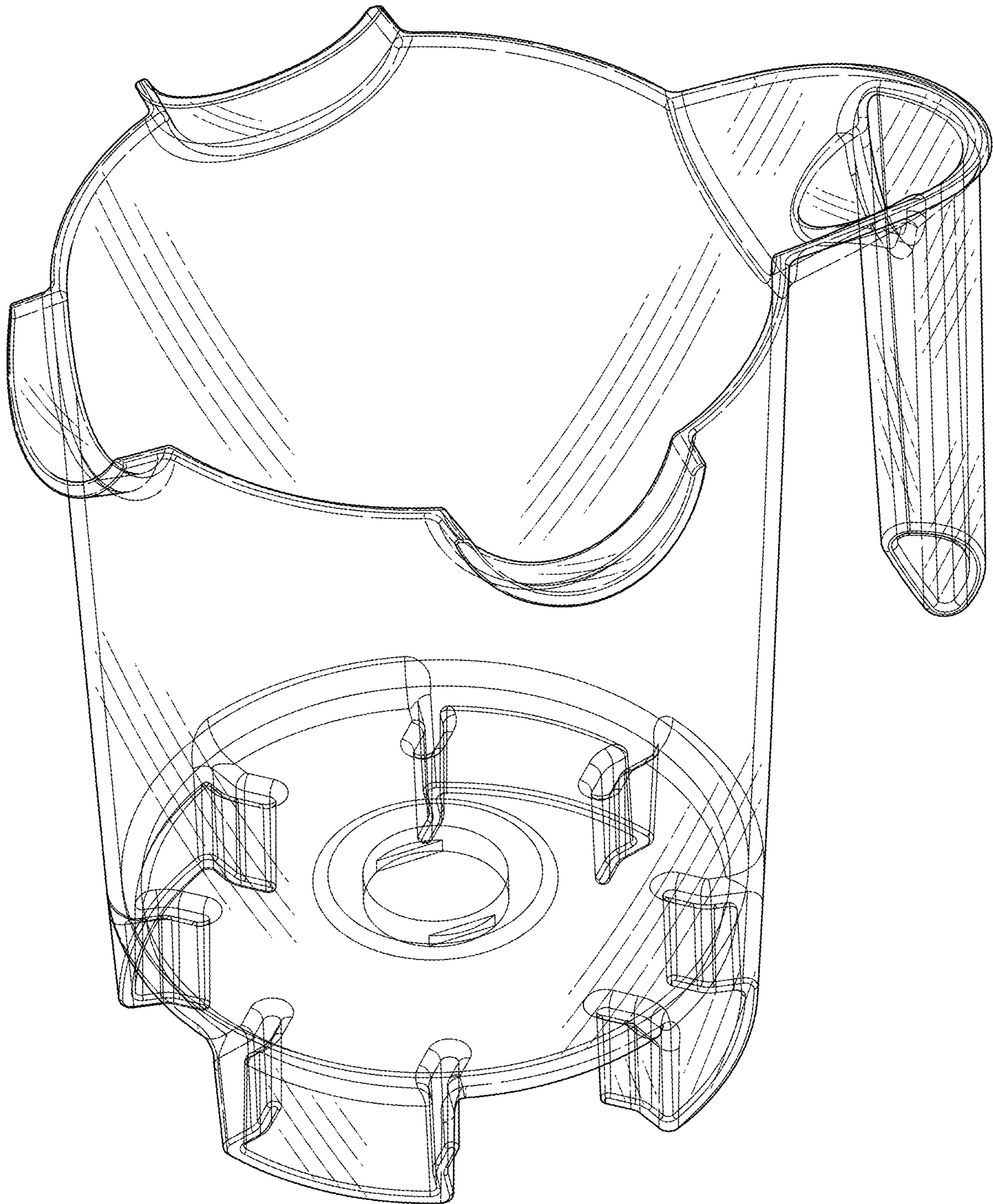


FIG. 1

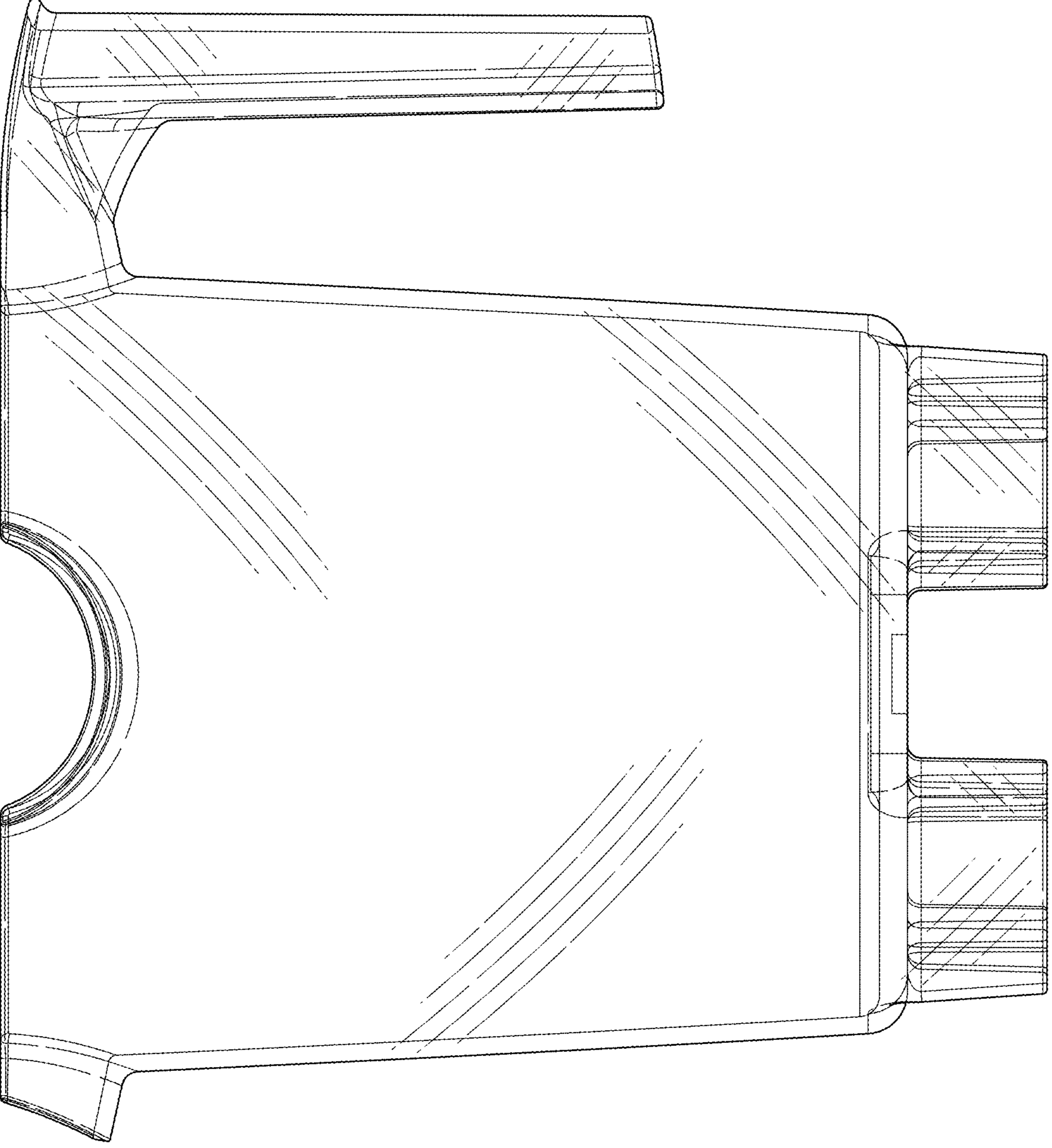


FIG. 2

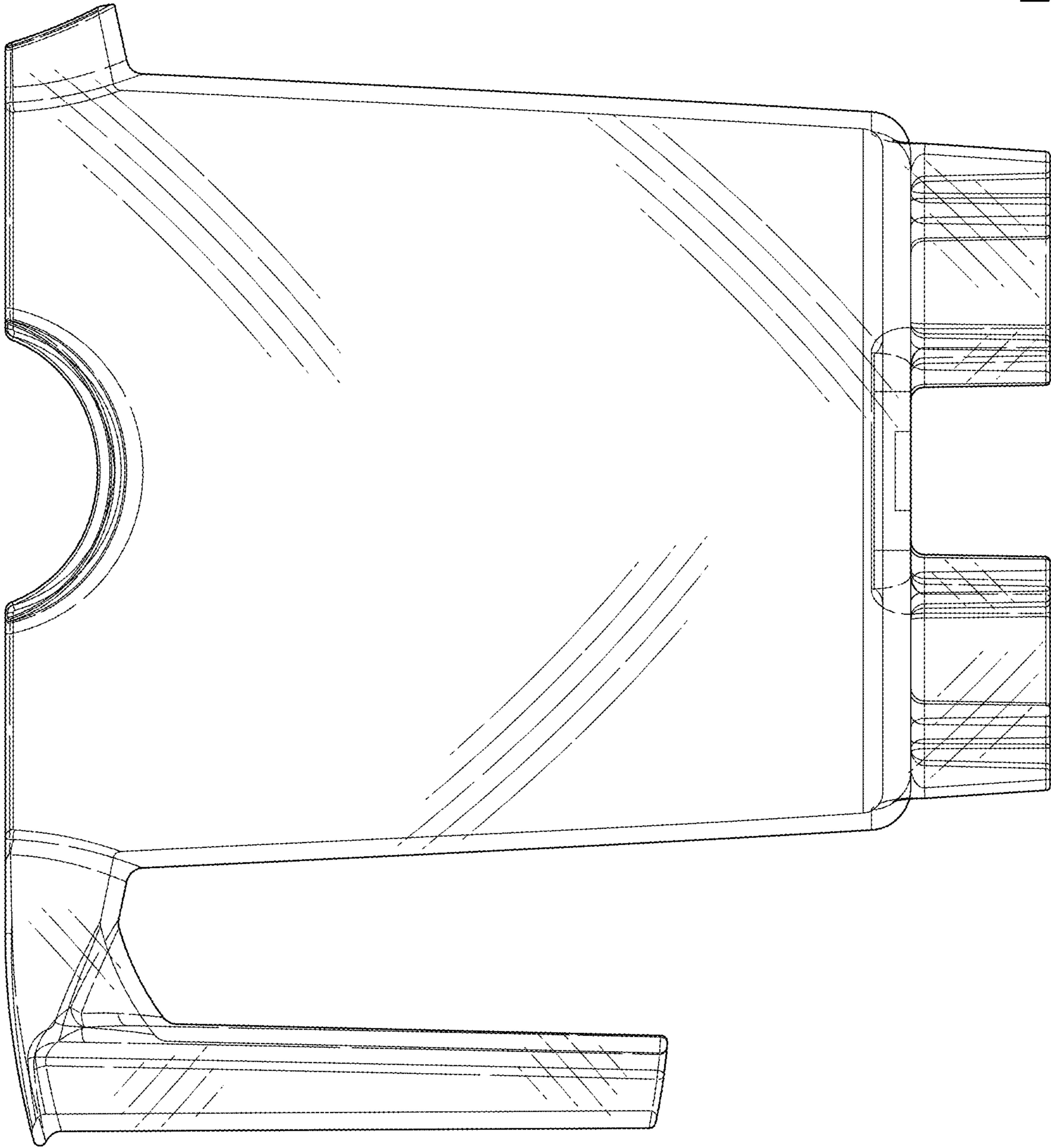


FIG. 3

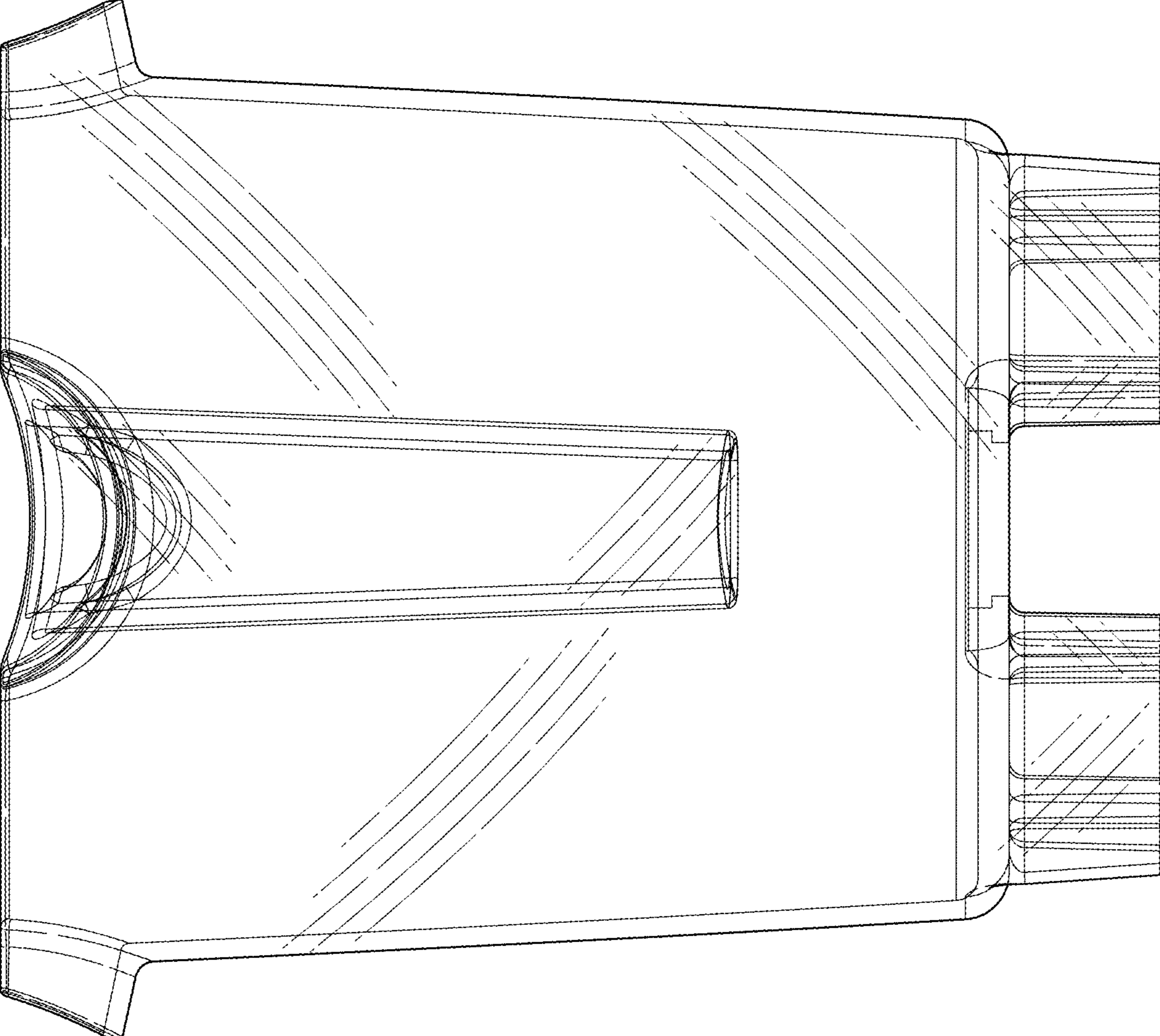


FIG. 4

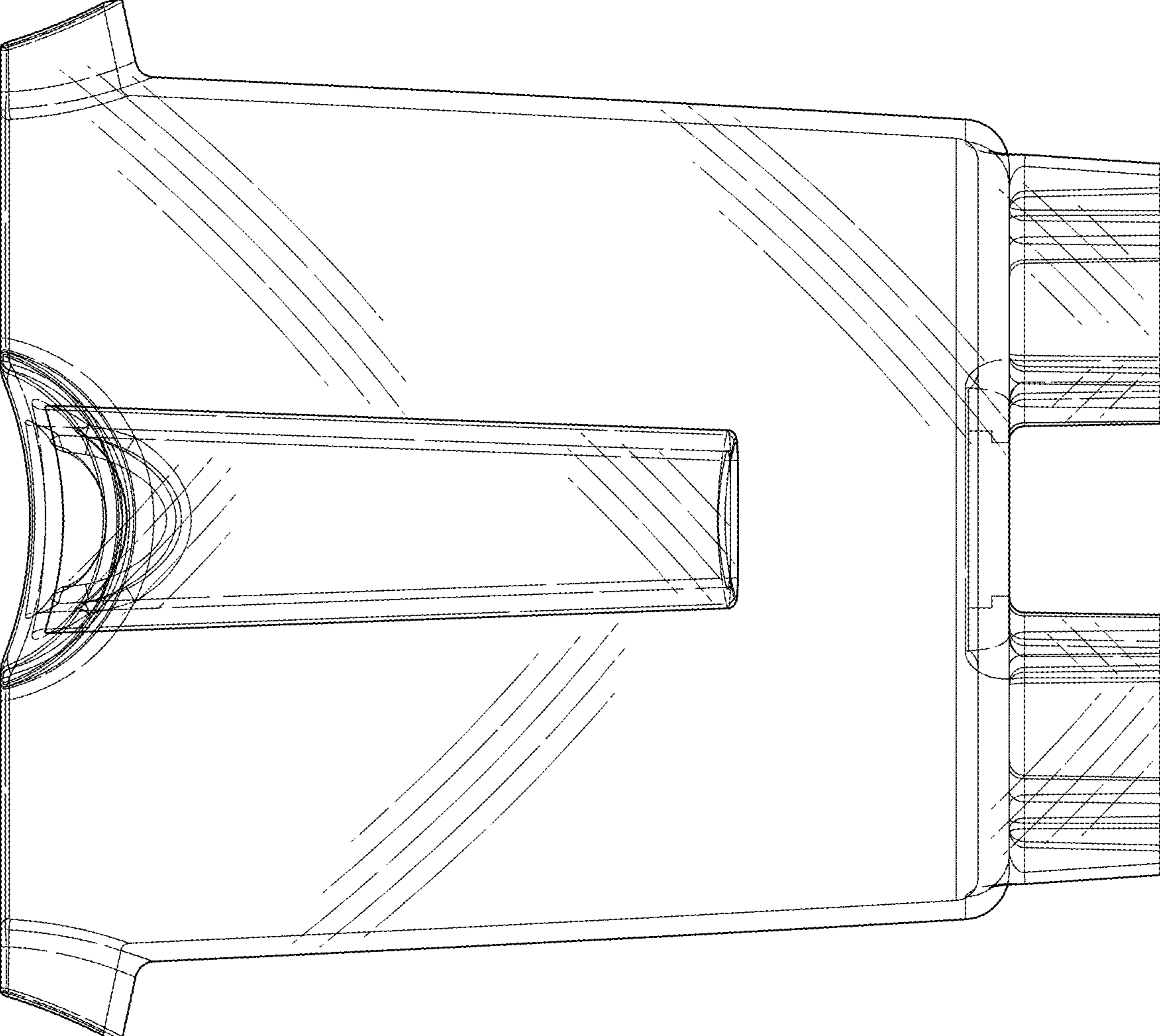


FIG. 5

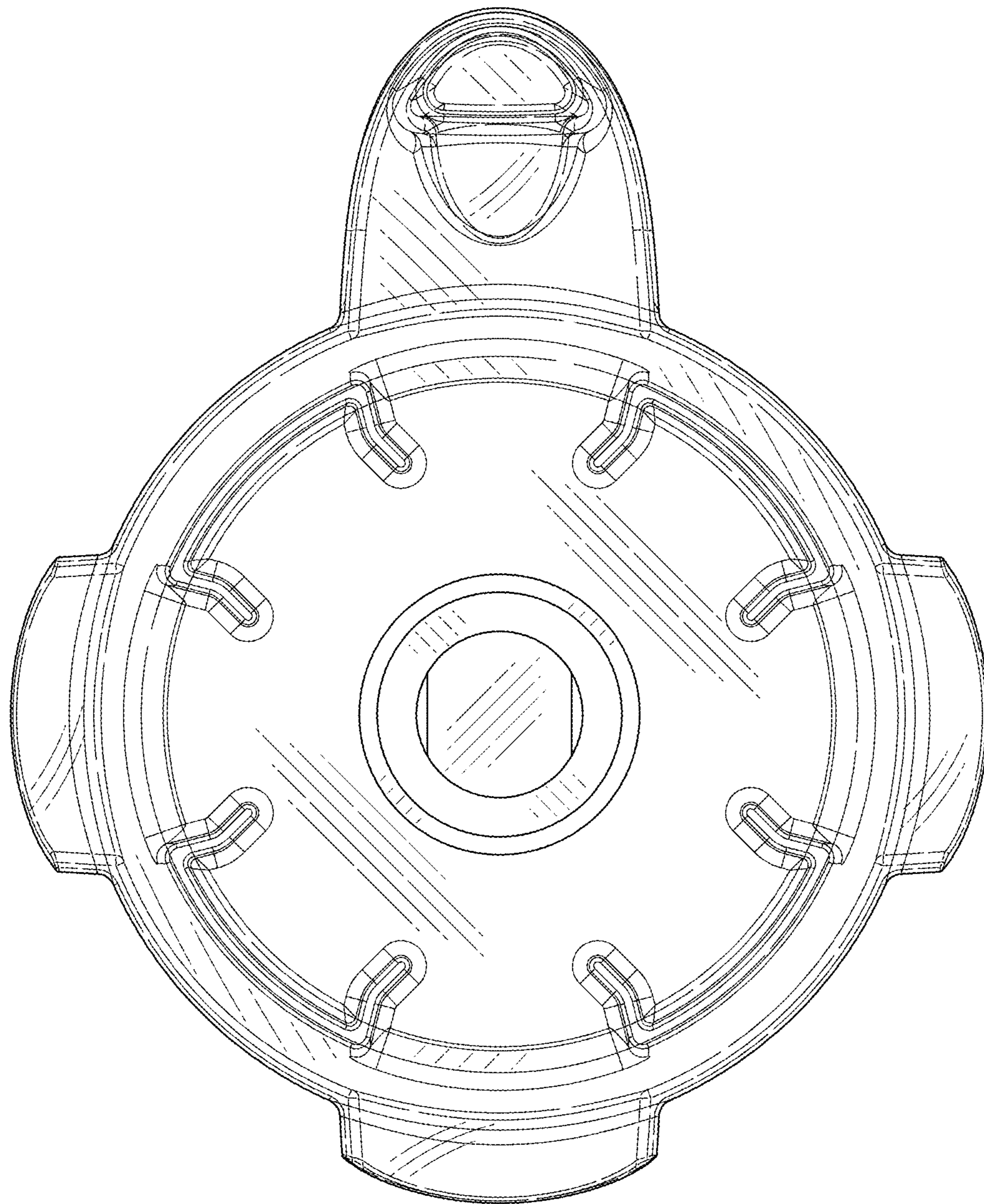


FIG. 6

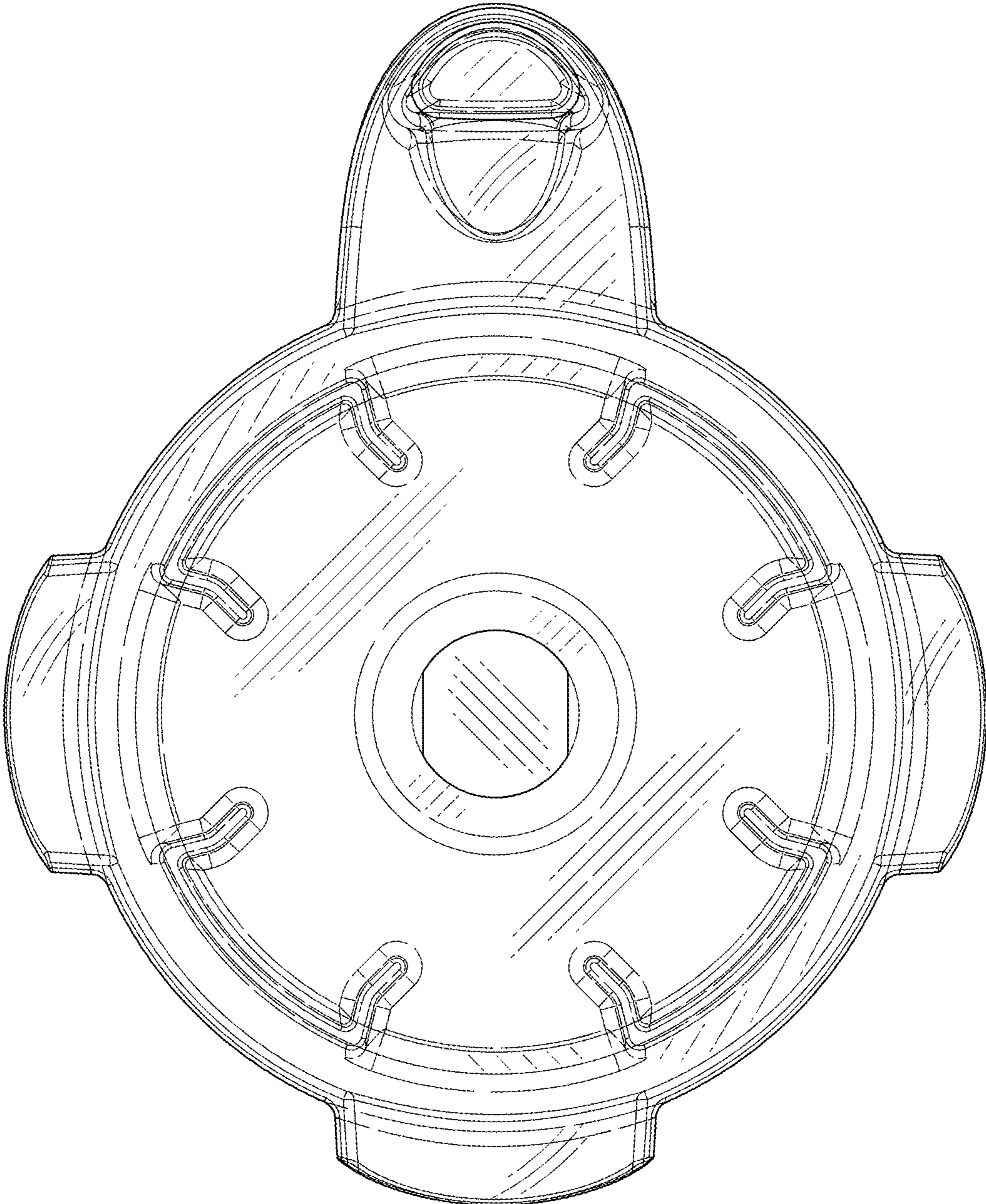


FIG. 7