



US00D977909S

(12) **United States Design Patent** (10) **Patent No.:** **US D977,909 S**
Li (45) **Date of Patent:** **** Feb. 14, 2023**

(54) **WINE STOPPER**

(71) Applicant: **PINGYANG HUACHANG
HARDWARE PLASTIC FACTORY,
Zhejiang (CN)**

(72) Inventor: **Renjie Li, Zhejiang (CN)**

(73) Assignee: **PINGYANG HUACHANG
HARDWARE PLASTIC FACTORY,
Zhejiang (CN)**

(**) Term: **15 Years**

(21) Appl. No.: **29/806,294**

(22) Filed: **Sep. 2, 2021**

(51) **LOC (14) Cl.** **07-06**

(52) **U.S. Cl.**
USPC **D7/397**

(58) **Field of Classification Search**
USPC D7/300.1, 303, 387, 391, 392, 392.1,
D7/396.2, 396.3, 397, 507, 510, 511, 523,
D7/590, 597, 601, 605, 606, 608, 615,
D7/620, 621, 624.2, 624.3, 701; D9/434,
D9/435, 439, 443, 444, 447, 449, 451,
D9/452, 454, 503, 520, 527, 529, 539,
D9/544

CPC A61J 1/1412; B65B 31/00; B65D 41/0414;
B65D 51/245; B65D 81/2038; B65D
50/041; B65D 47/06; B65D 83/28; B65D
83/40; B67D 7/00

See application file for complete search history.

(56) **References Cited**

U.S. PATENT DOCUMENTS

3,716,163 A * 2/1973 Marcel B65D 39/00
215/320
D270,140 S * 8/1983 Berglund D9/438
D375,019 S * 10/1996 Goto D7/392.1
D418,417 S * 1/2000 Hollinger D9/440
D420,589 S * 2/2000 Baxter B65D 51/24
D9/439

D437,782 S * 2/2001 Haley D9/440
6,299,037 B1 * 10/2001 Lee B65D 47/248
222/518
D487,227 S * 3/2004 Haley D9/434
D568,152 S * 5/2008 Fetherston D9/440
(Continued)

FOREIGN PATENT DOCUMENTS

EM 008666663-0001 * 9/2021

OTHER PUBLICATIONS

Wotor Wine Stopper, amazon.com, first available date: Dec. 27,
2021. Retrieved from the internet Nov. 17, 2022<URL:https://www.
amazon.com/dp/B09P84J1CJ/ (Year: 2021).*

Primary Examiner — Joseph Kukella

Assistant Examiner — Darryl J Dardenne

(74) *Attorney, Agent, or Firm* — True Shepherd, LLC;
Andrew Cheng

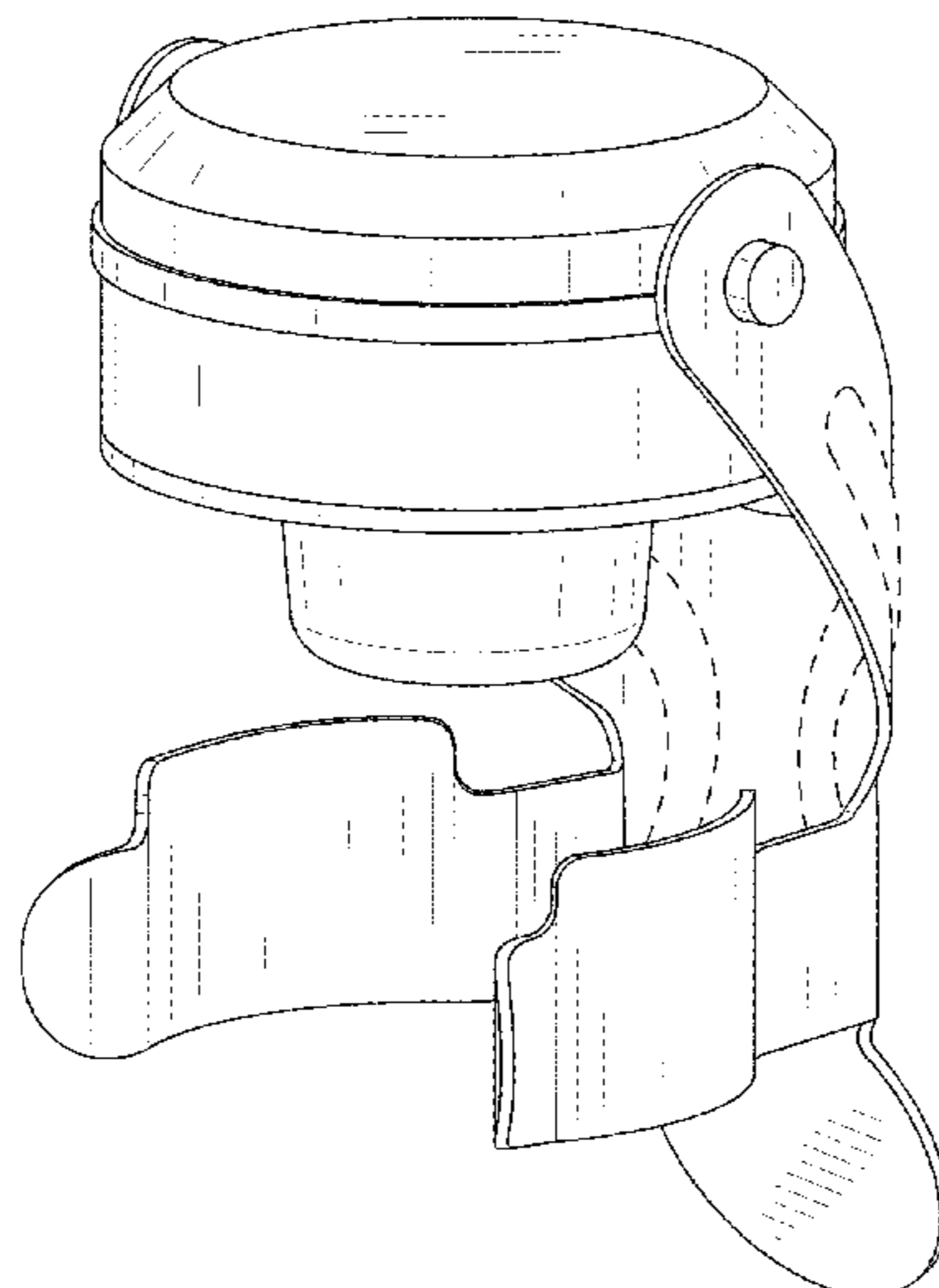
(57) **CLAIM**

The ornamental design for a wine stopper, as shown and
described.

DESCRIPTION

FIG. 1 is a front, right, and top perspective view of a wine
stopper, showing my design.
FIG. 2 is a front elevation view thereof.
FIG. 3 is a rear elevation view thereof.
FIG. 4 is a left side elevation view thereof.
FIG. 5 is a right side elevation view thereof.
FIG. 6 is a top plan view thereof.
FIG. 7 is a bottom plan view thereof; and,
FIG. 8 is another front, right, and top perspective view of the
wine stopper, wherein the wine stopper is in an usage state.
The broken lines shown in the drawings are included for the
purpose of illustrating portions of the wine stopper that form
no part of the claimed design.

1 Claim, 8 Drawing Sheets



(56)

References Cited

U.S. PATENT DOCUMENTS

D639,657	S *	6/2011	Hoyt	D9/439
D678,767	S *	3/2013	Haley	D9/446
D729,063	S *	5/2015	Koop	D9/439
D730,730	S *	6/2015	Haley	D9/440
D741,645	S *	10/2015	Lau	D7/397
D754,537	S *	4/2016	Prozumenshchikov	D9/439
D772,004	S *	11/2016	Khan	D7/397
D797,499	S *	9/2017	Jones	D7/397
D855,461	S *	8/2019	Wu	D9/449
D872,575	S *	1/2020	Tebbs	D9/446
D873,661	S *	1/2020	DeRuntz	D9/446
D885,831	S *	6/2020	Rider	D7/397
D901,239	S *	11/2020	Kehoe	D7/700
D902,643	S *	11/2020	Park	D7/391
D930,106	S *	9/2021	Stoller	D22/122
D959,268	S *	8/2022	Hume	B65D 39/00
				D9/439
2005/0184026	A1 *	8/2005	Haley	B65D 51/24
				222/484
2008/0116165	A1 *	5/2008	Lin	B65D 39/12
				215/294
2008/0272085	A1 *	11/2008	Laporta	B65D 39/0064
				215/358
2014/0263453	A1 *	9/2014	Haley	C12H 1/16
				222/152
2016/0185489	A1 *	6/2016	Garcia	B65D 47/12
				215/227

* cited by examiner

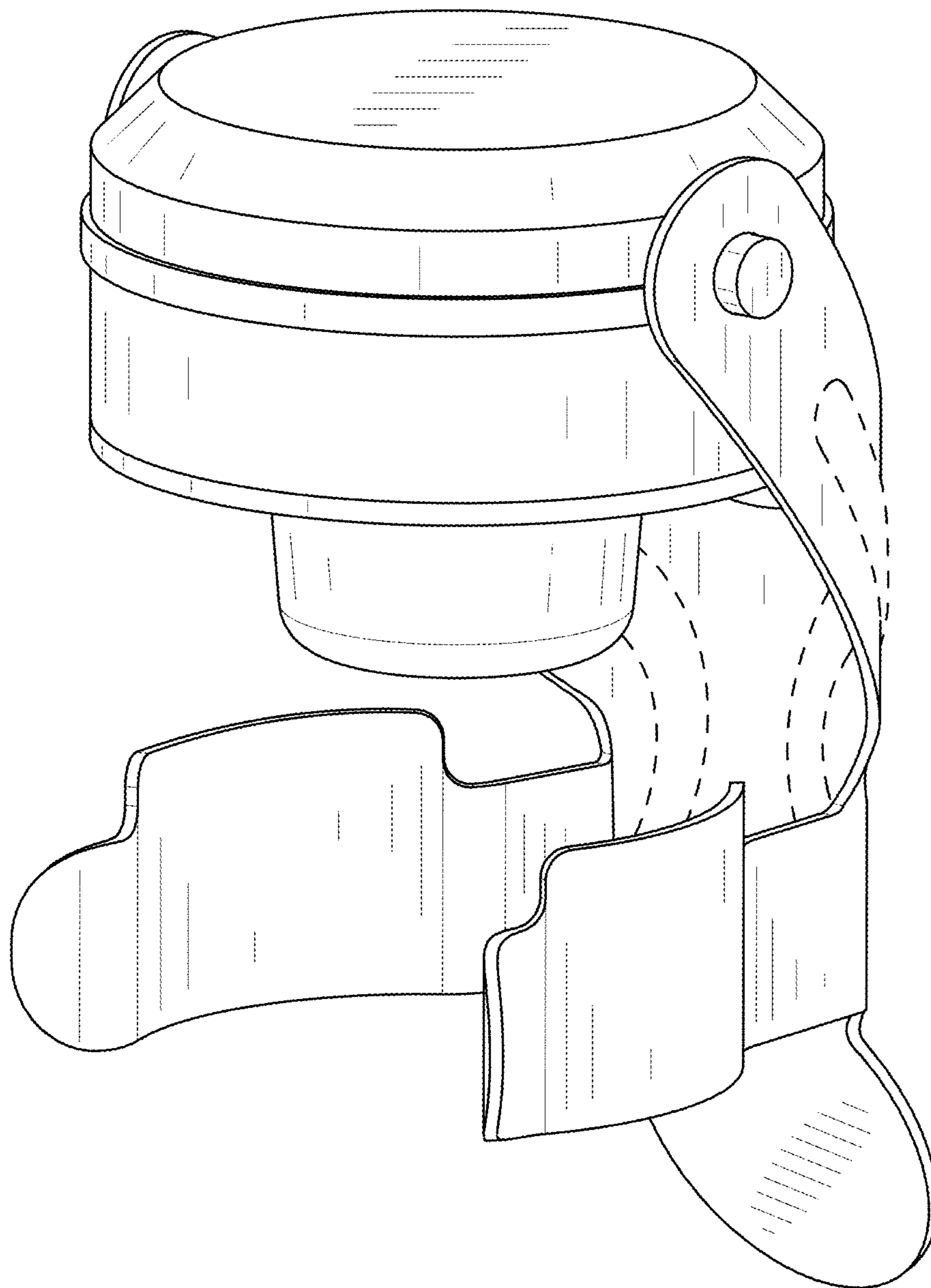


FIG. 1

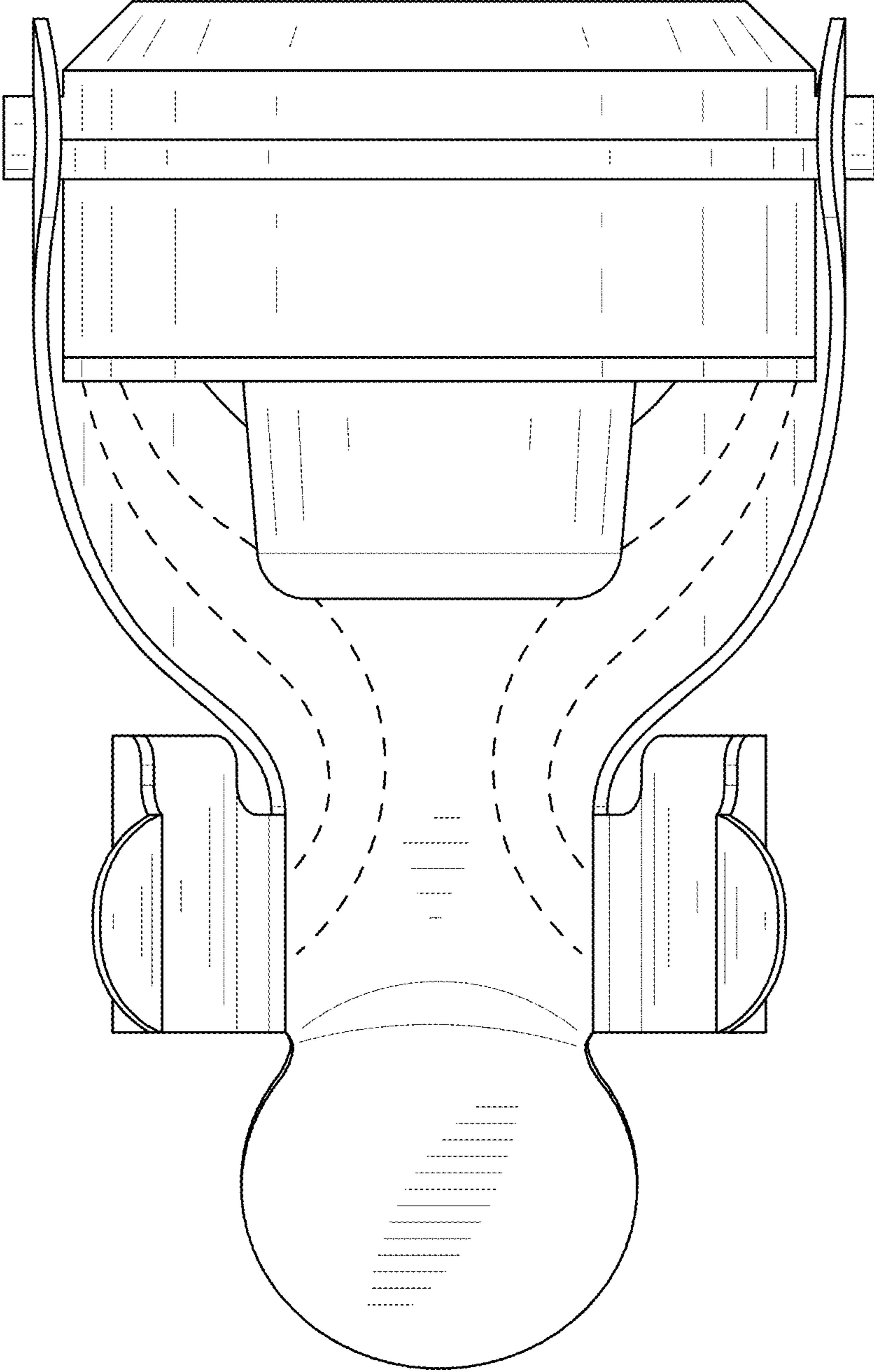


FIG. 2

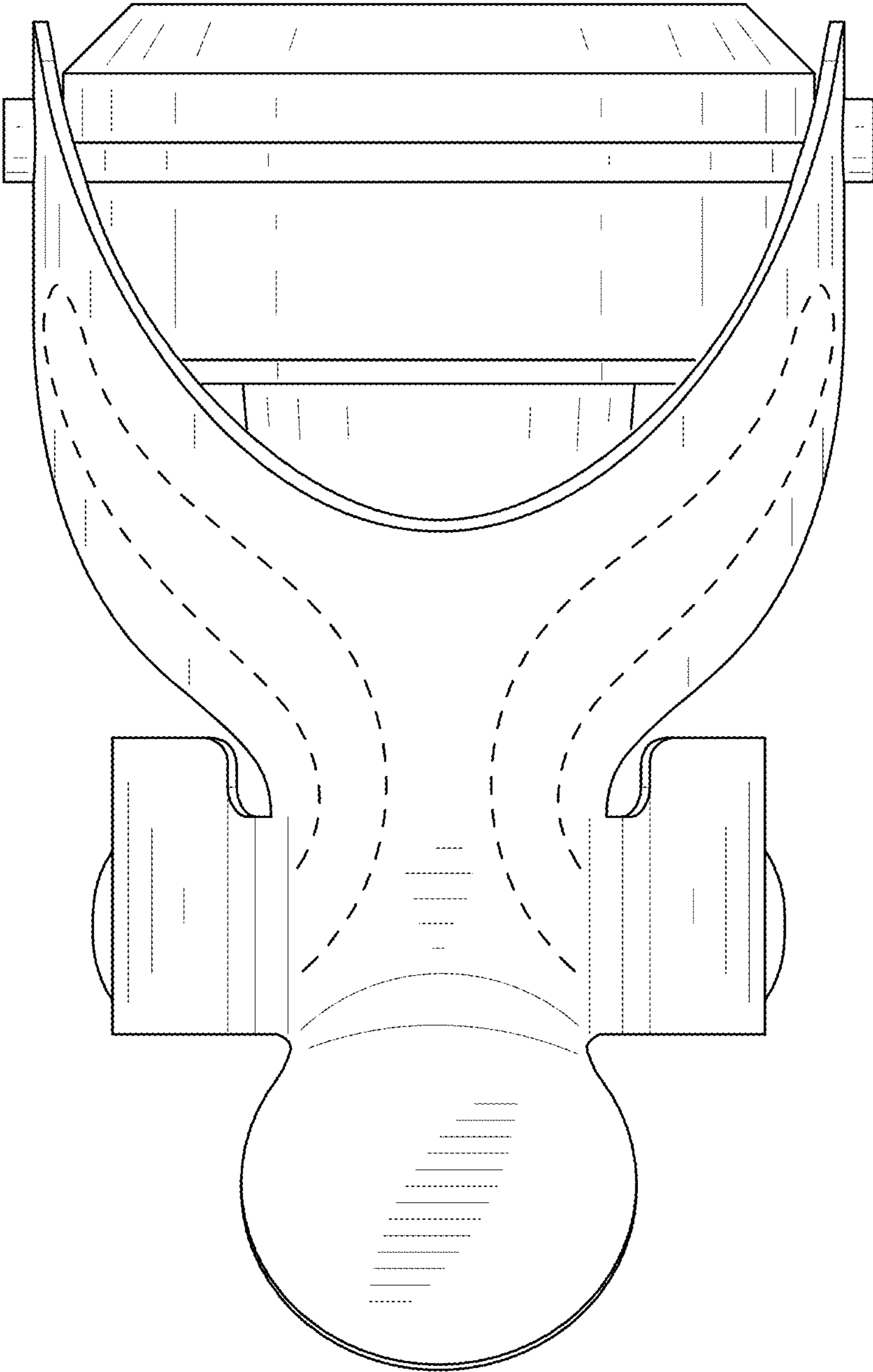


FIG. 3

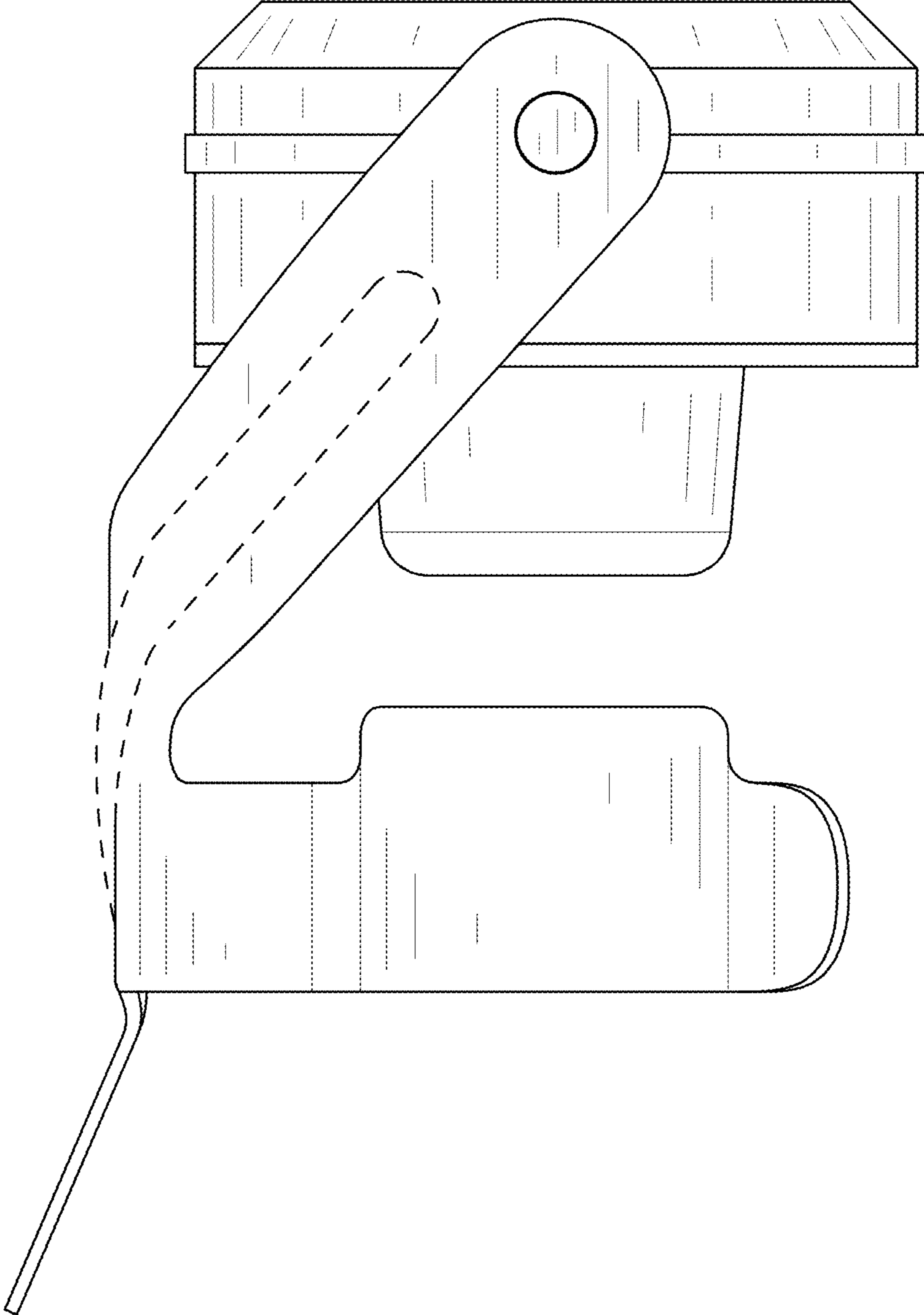


FIG. 4

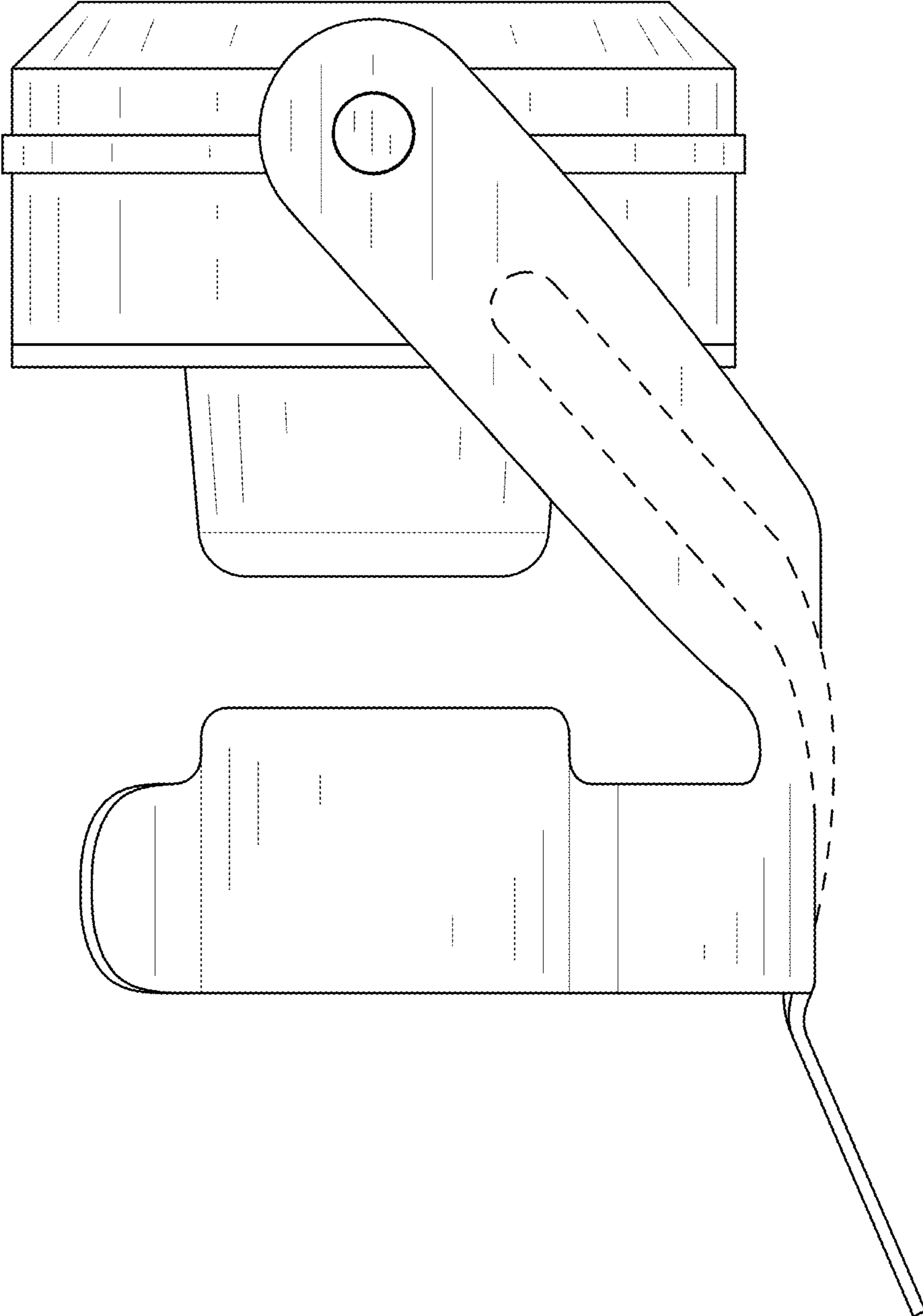


FIG. 5

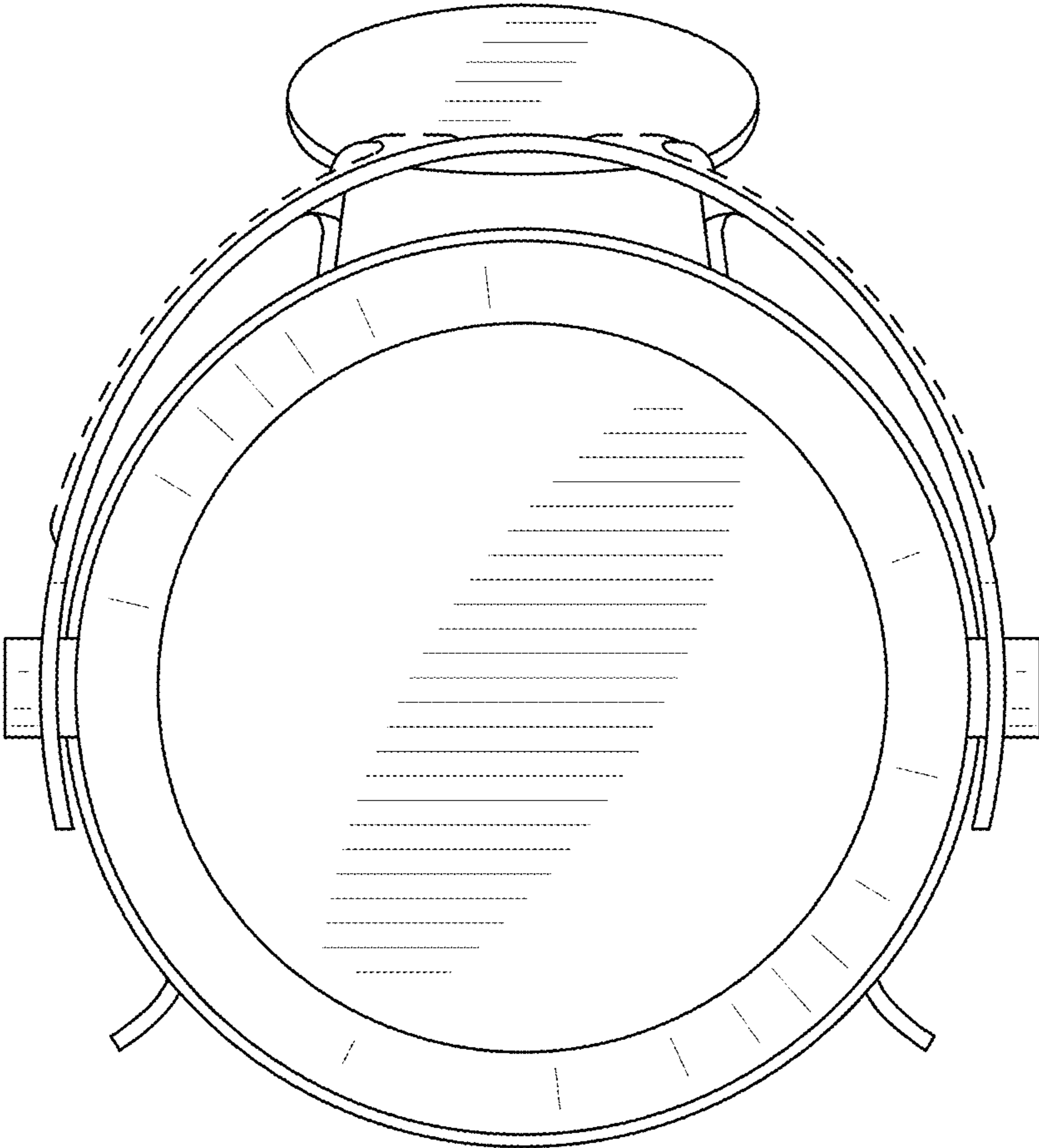


FIG. 6

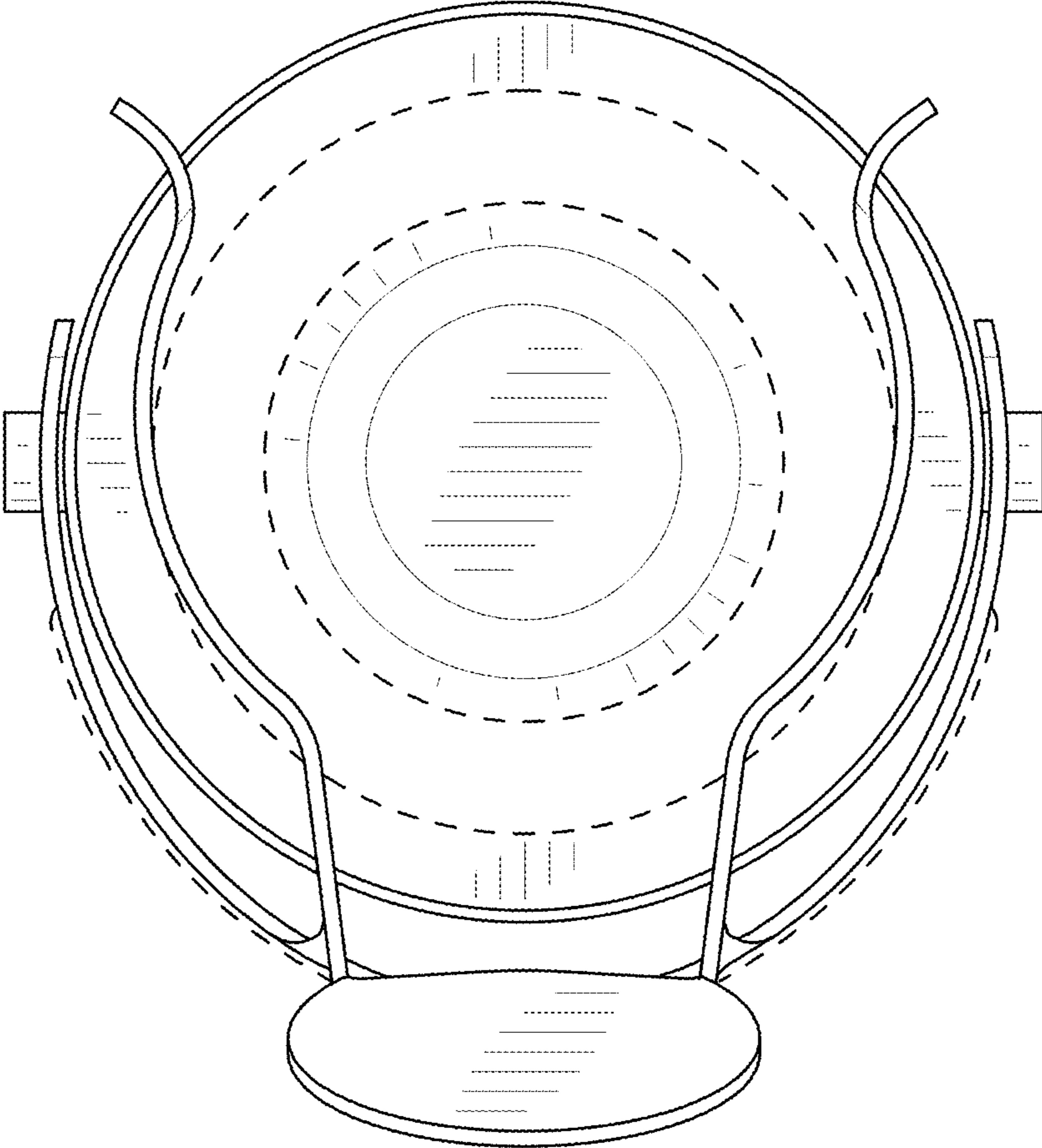


FIG. 7

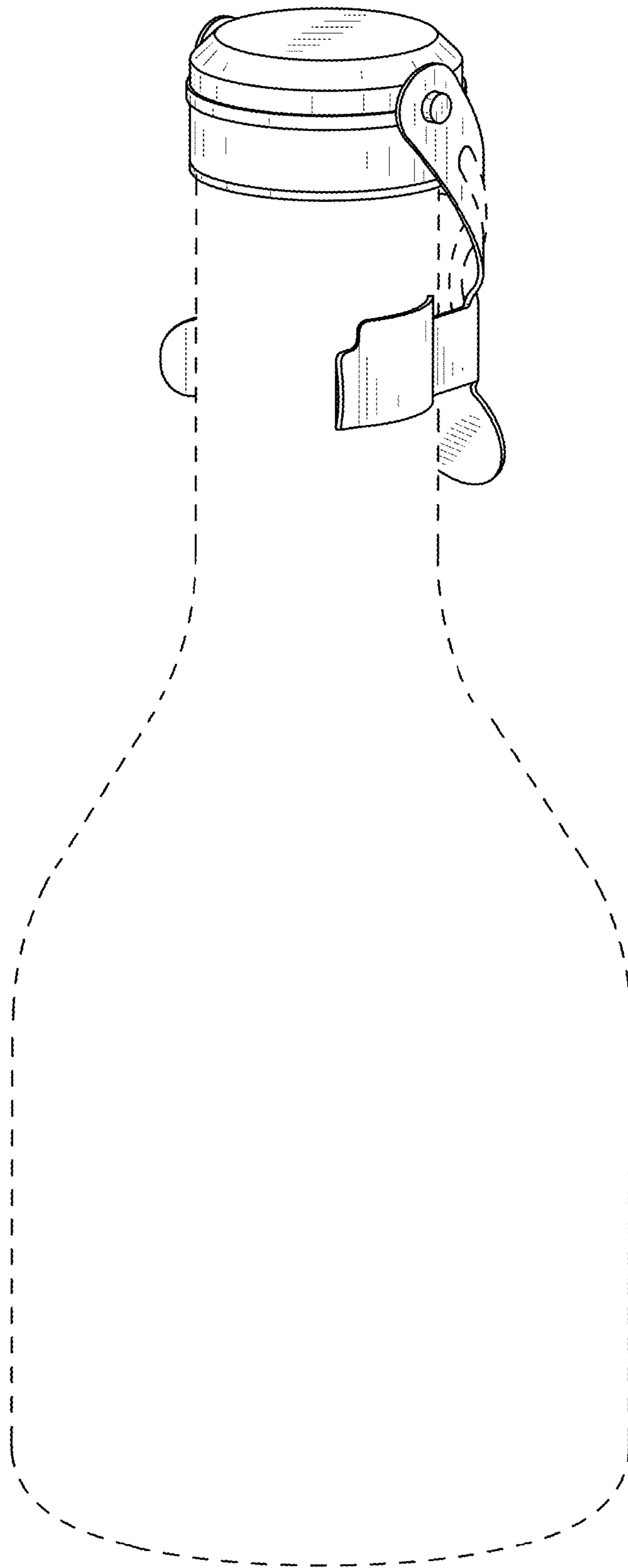


FIG. 8