



US00D977907S

(12) **United States Design Patent** (10) **Patent No.:** **US D977,907 S**
Kornetzka (45) **Date of Patent:** **** Feb. 14, 2023**

(54) **POT LID HANDLE**

(71) Applicant: **Fissler GmbH**, Idar Oberstein (DE)

(72) Inventor: **Tim Kornetzka**, Augsburg (DE)

(**) Term: **15 Years**

(21) Appl. No.: **35/512,901**

(22) Filed: **Sep. 13, 2021**

(80) **Hague Agreement Data**

Int. Filing Date: **Sep. 13, 2021**

Int. Reg. No.: **DM/217163**

Int. Reg. Date: **Sep. 13, 2021**

Int. Reg. Pub. Date: **Nov. 12, 2021**

(51) **LOC (14) Cl.** **07-02**

(52) **U.S. Cl.**
USPC **D7/393**

(58) **Field of Classification Search**
USPC D7/323, 354, 360, 361, 387, 391,
D7/393-396, 402; D8/300, 307,
D8/310-312; D21/525

(Continued)

(56) **References Cited**

U.S. PATENT DOCUMENTS

D179,497 S * 1/1957 Scott D8/310
D212,379 S * 10/1968 Dudas D7/393

(Continued)

OTHER PUBLICATIONS

PZRT 2-Pack Replacement Pot Grip Knob Lid Cover Knobs, first available Jul. 31, 2018, Amazon, [online], [site visited Jul. 21, 2022], Available from internet URL: <https://www.amazon.com/PZRT-2-Pack-Replacement-Cover-Knobs/dp/B07G22JHGR> (Year: 2018).*

(Continued)

Primary Examiner — Mary Ann Calabrese
Assistant Examiner — Natalya M Rapundalo

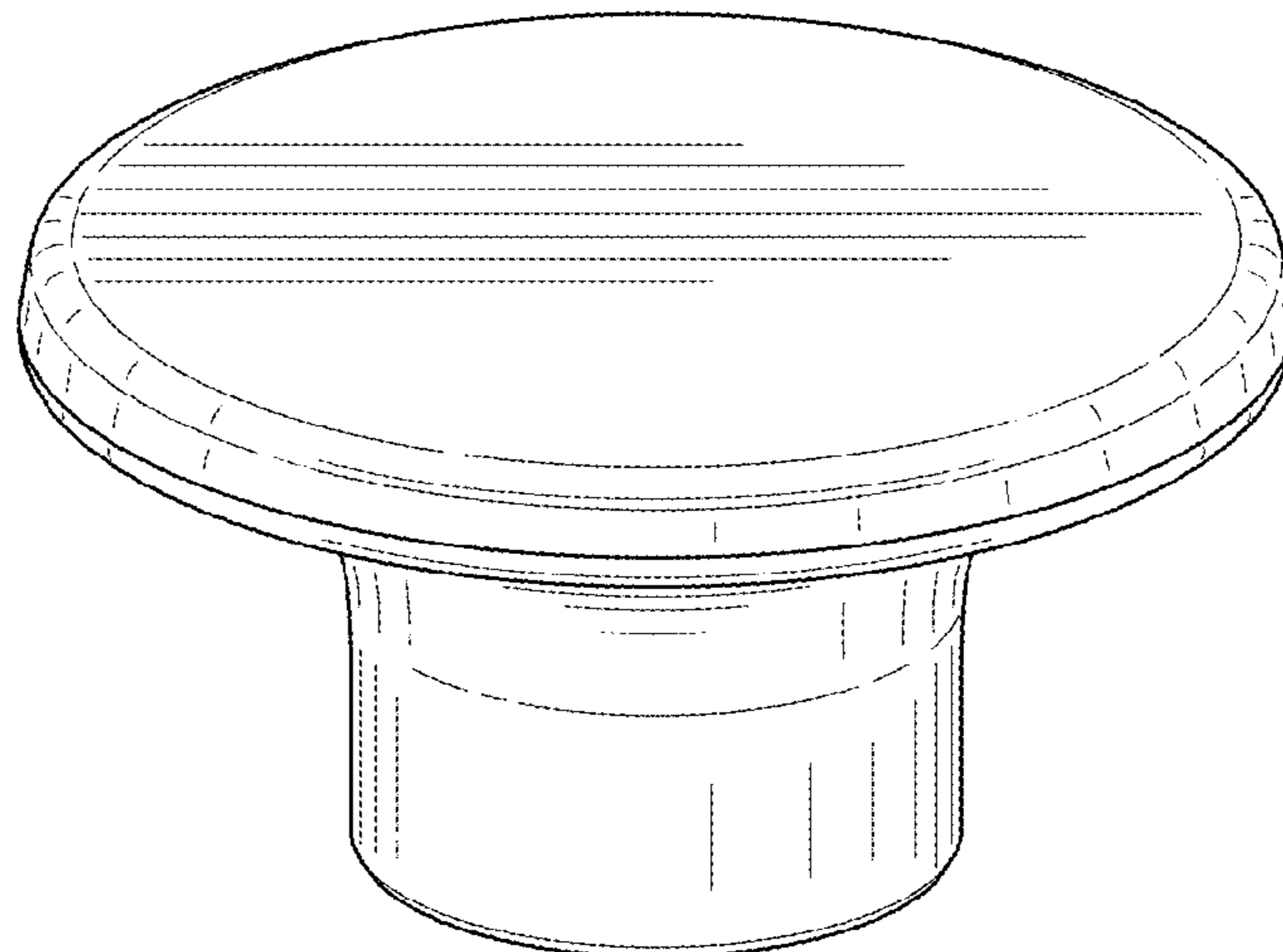
(57) **CLAIM**

The ornamental design for a pot lid handle, as shown and described.

DESCRIPTION

1.1 is a rear view of first embodiment of a pot lid handle showing my new design;
1.2 is a right side view thereof;
1.3 is a top view thereof;
1.4 is a left side view thereof;
1.5 is a front view thereof;
1.6 is a bottom view thereof;
1.7 is a perspective view thereof;
2.1 is a front view of a second embodiment of the pot lid handle;
2.2 is a rear view thereof;
2.3 is a left side view thereof;
2.4 is a bottom view thereof;
2.5 is a right side view thereof;
2.6 perspective view thereof;
2.7 is a top view thereof;
3.1 is a rear view of a third embodiment of the pot lid handle;
3.2 is a left side view thereof;
3.3 is a perspective view thereof;
3.4 is a bottom view thereof;
3.5 is a top view thereof;
3.6 right side view thereof;
3.7 is a front view thereof;
4.1 is a rear view of a fourth embodiment of the pot lid handle;
4.2 is a perspective view thereof;
4.3 is a bottom view thereof;
4.4 is a front view thereof;
4.5 is a right side view thereof;
4.6 top view thereof; and
4.7 is a left side view thereof.
Portions shown in broken lines illustrate environment and form no part of the claimed design.

1 Claim, 28 Drawing Sheets



(58) **Field of Classification Search**

CPC A47J 36/00; A47J 36/025; A47J 36/06;
 A47J 36/08; A47J 37/10; A47J 37/101;
 A47J 45/00; A47J 45/06; A47J 45/061;
 A47J 45/062; A47J 45/063; A47J 45/065;
 A47J 45/066; A47J 45/067; A47J 45/07;
 A47J 45/071; A47J 45/072; A47J 45/074;
 A47J 45/075; A47J 45/077; A47J 45/078;
 A47J 45/08; A47B 95/02; A47B
 2095/024; A47B 2095/028

See application file for complete search history.

D924,622 S * 7/2021 Turner D7/354
 D931,037 S * 9/2021 Chimbuya A47J 36/06
 D7/360
 D941,078 S * 1/2022 Koszylko A47J 36/06
 D7/354
 D942,836 S * 2/2022 Groleski A47J 36/06
 D8/310
 D970,282 S * 11/2022 Song D7/354
 2015/0024104 A1* 1/2015 Denny A47J 36/06
 426/523
 2021/0127900 A1* 5/2021 Maguire A47J 36/06

OTHER PUBLICATIONS

(56)

References Cited

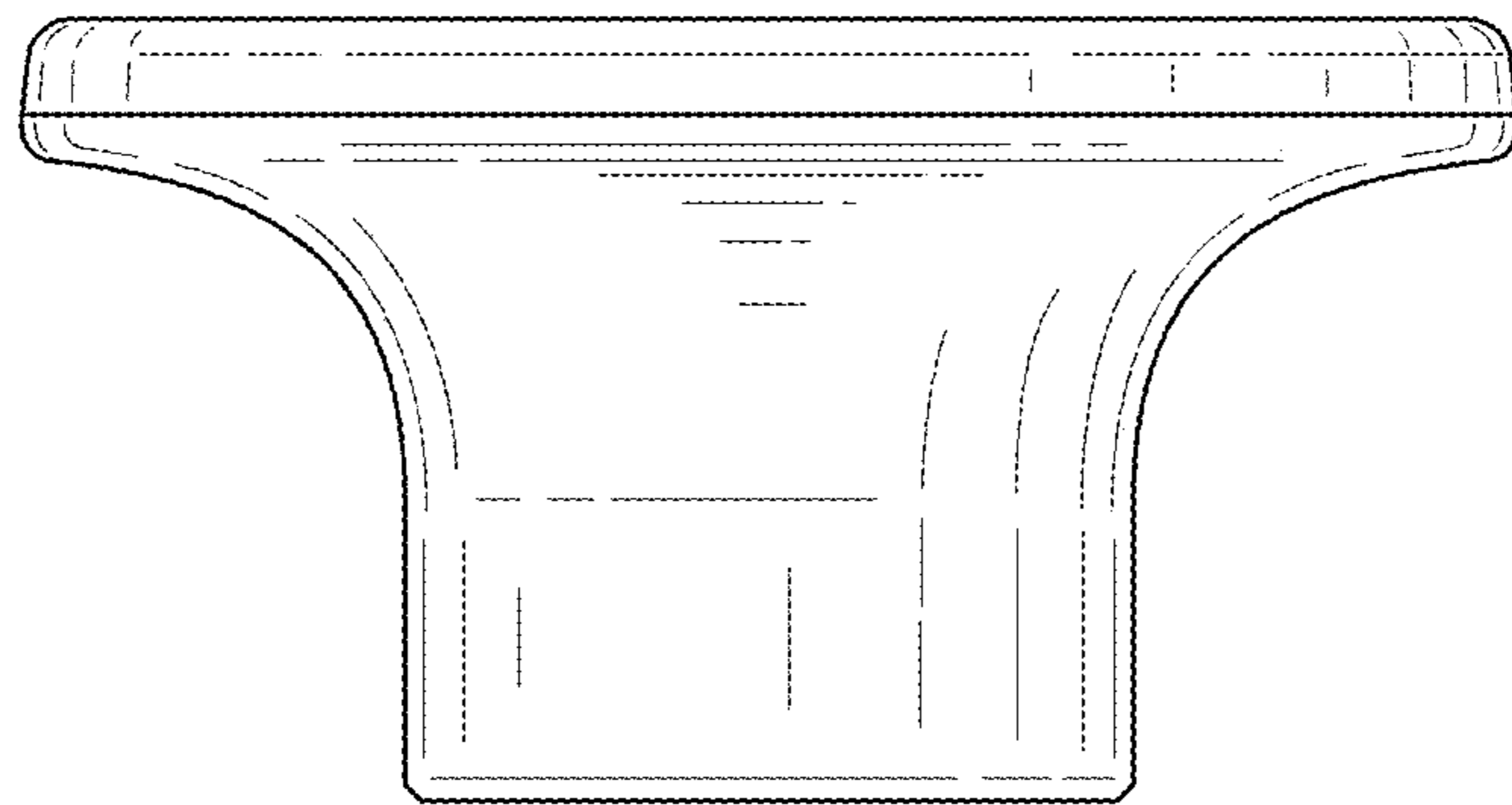
U.S. PATENT DOCUMENTS

D232,626 S * 9/1974 Smallwood D12/345
 D368,623 S * 4/1996 Hacker D7/391
 6,307,193 B1 * 10/2001 Toole A47J 36/06
 219/735
 D493,060 S * 7/2004 Pippel D7/393
 D545,664 S * 7/2007 Fields D8/310
 D673,806 S * 1/2013 Upston D7/354
 D733,493 S * 7/2015 Barberi D7/393

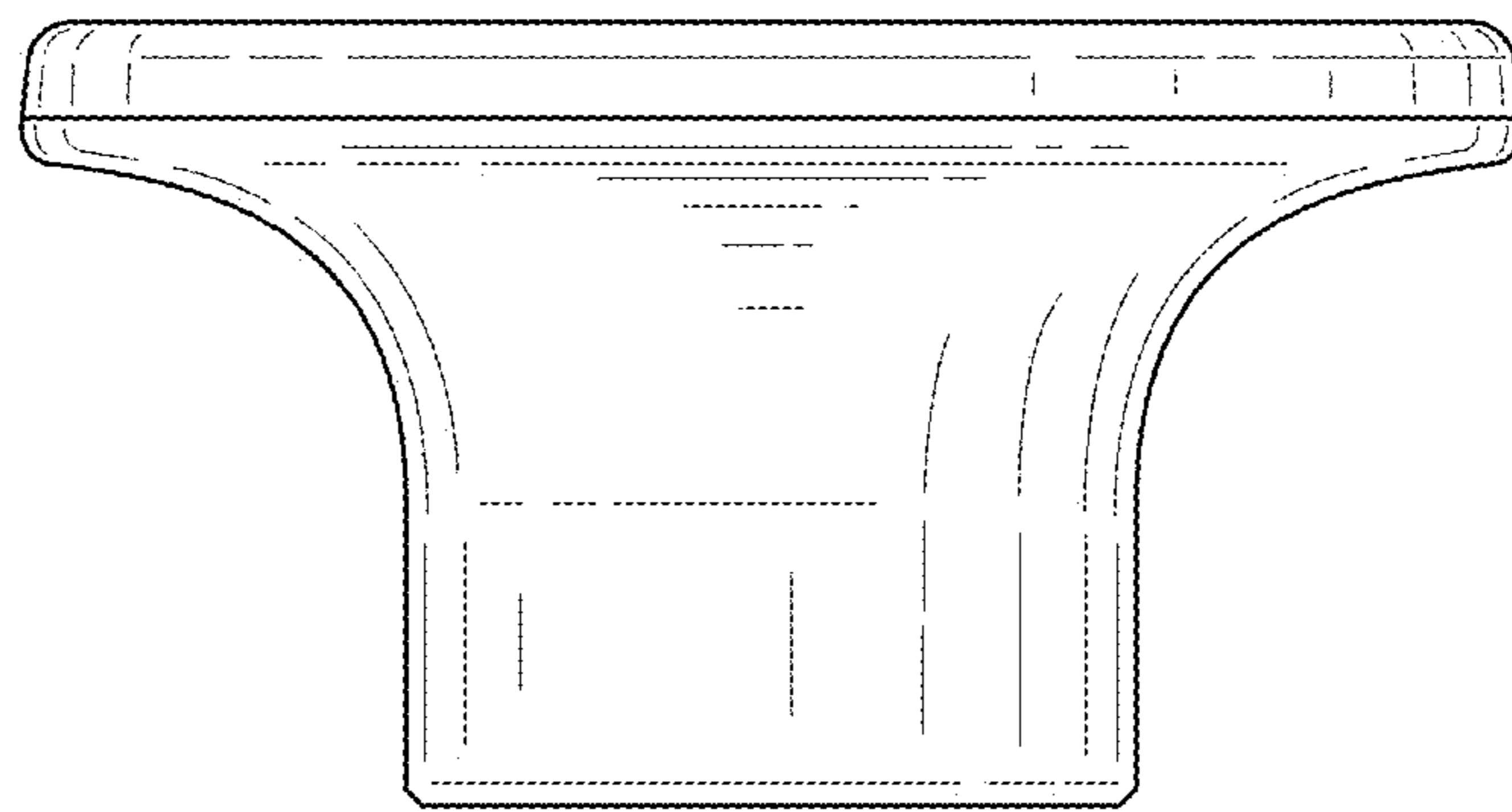
Design No. 621706, Jun. 1, 2022—Intellectual Property Office (IPO) (UK) Publication Date—Jun. 1, 2022 Owner—Andcrafted Ltd DesignView, available at www.tmdn.org/tmdsview-web/welcome (Year: 2022).*

Dutch Oven Knob Pot Lid Handle Replacement Knob Compatible for Le Creuset, first available Jan. 28, 2022, Amazon, [online], [site visited Jul. 21, 2022], Available from internet URL: <https://www.amazon.com/Handle-Replacement-Compatible-Creuset%E3%80%81Lodge-Enameled/dp/B09RF7JQC1> (Year: 2022).*

* cited by examiner



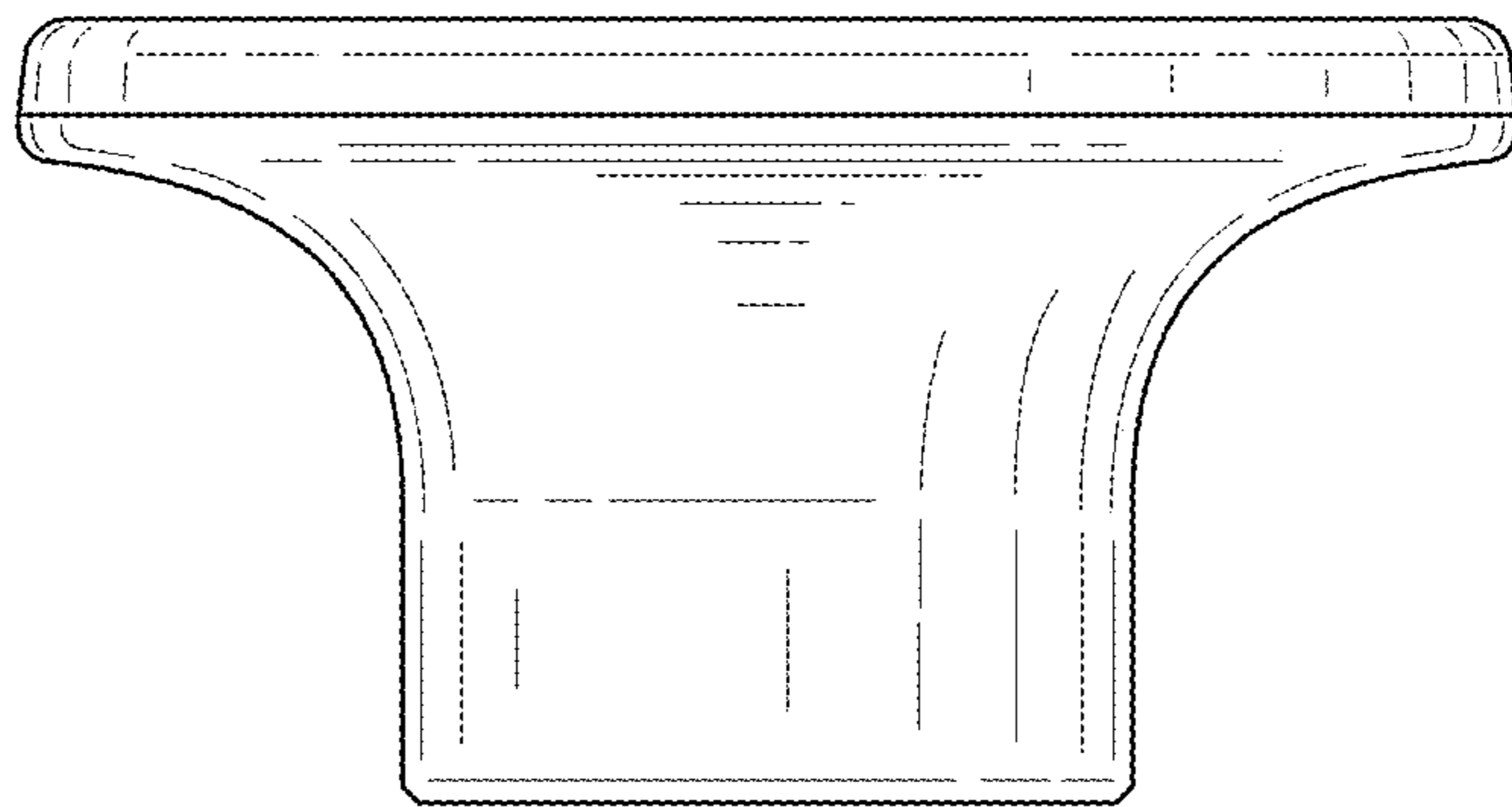
1.1



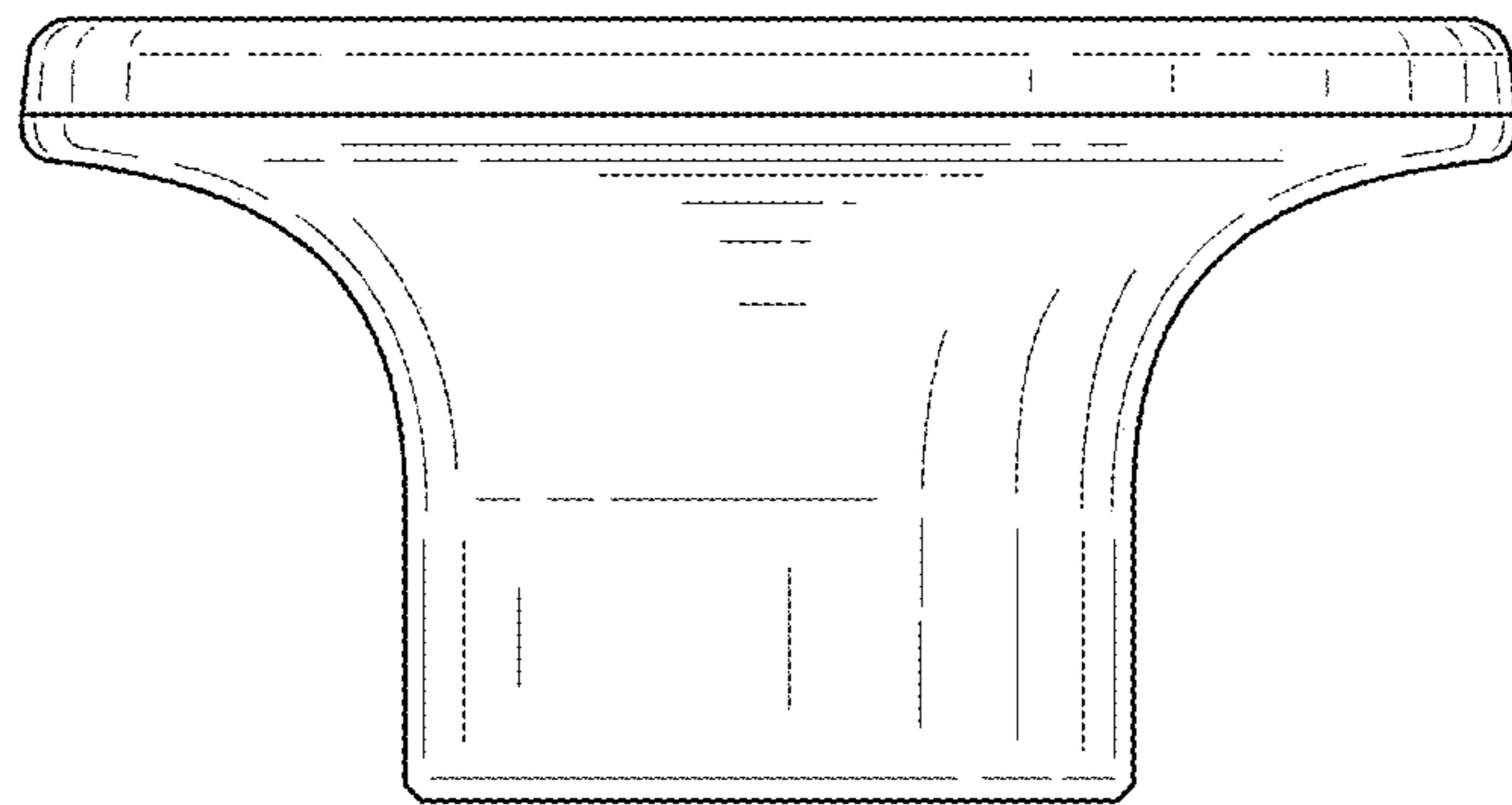
1.2



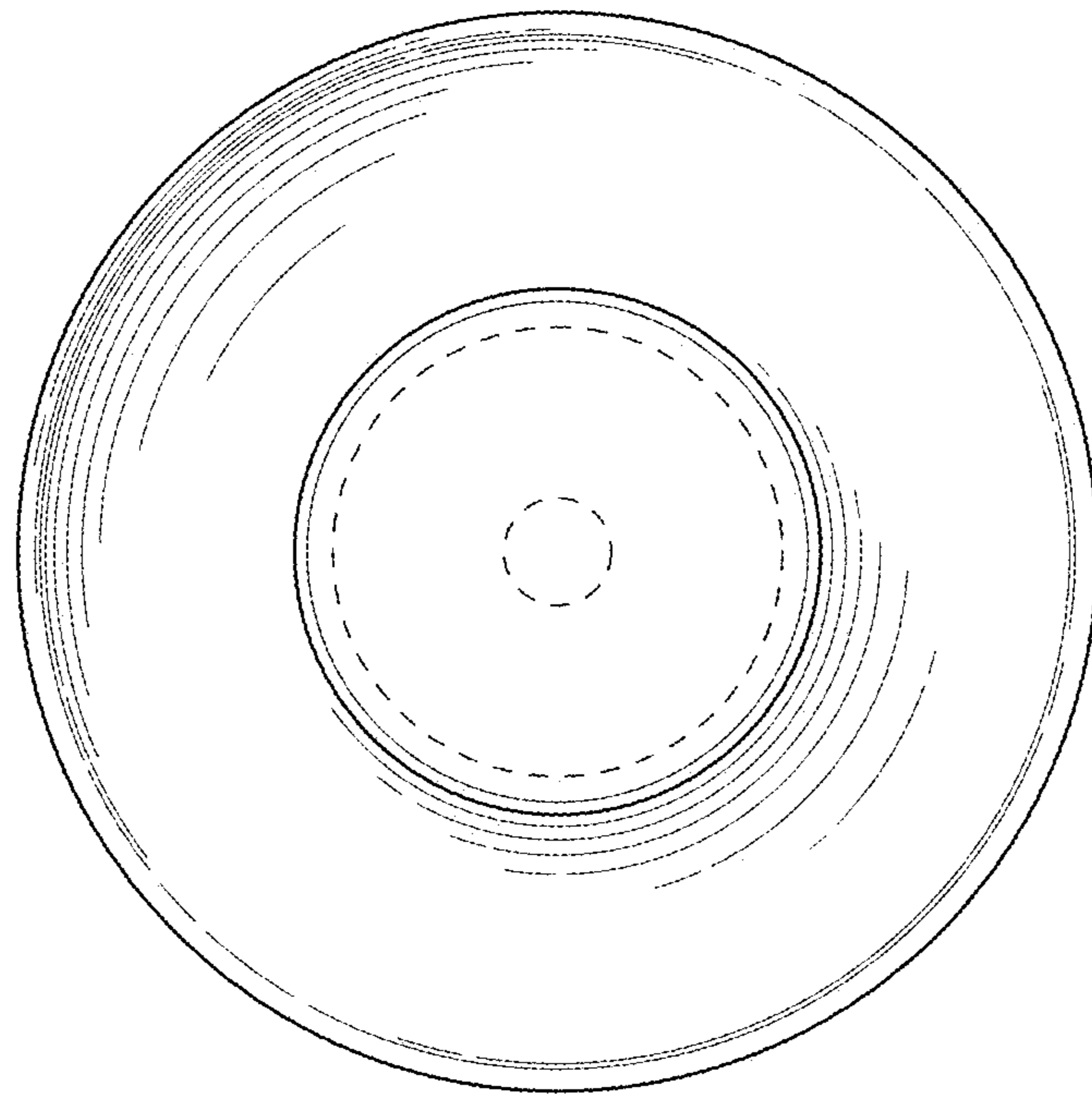
1.3



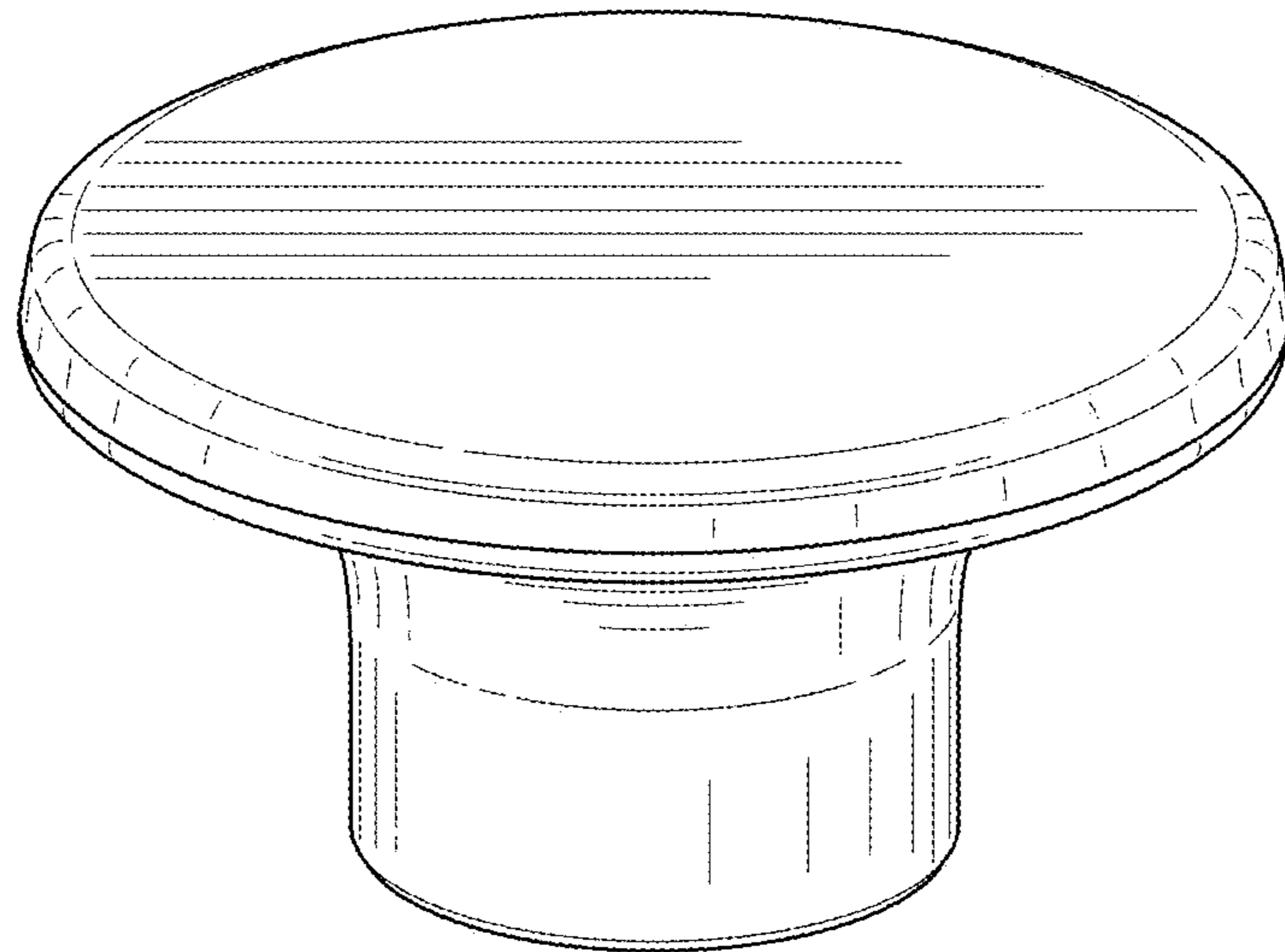
1.4



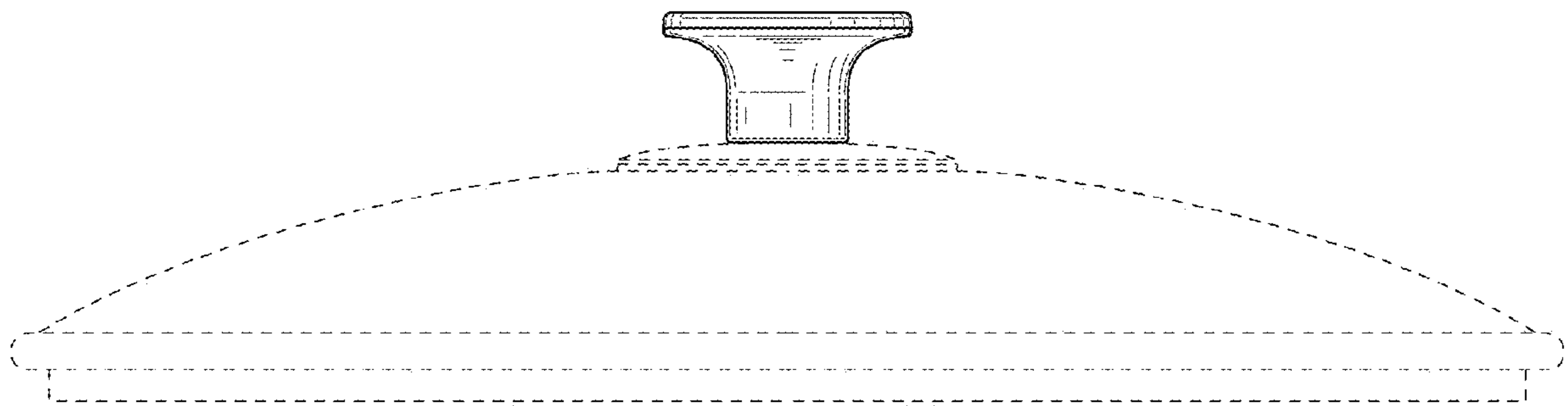
1.5



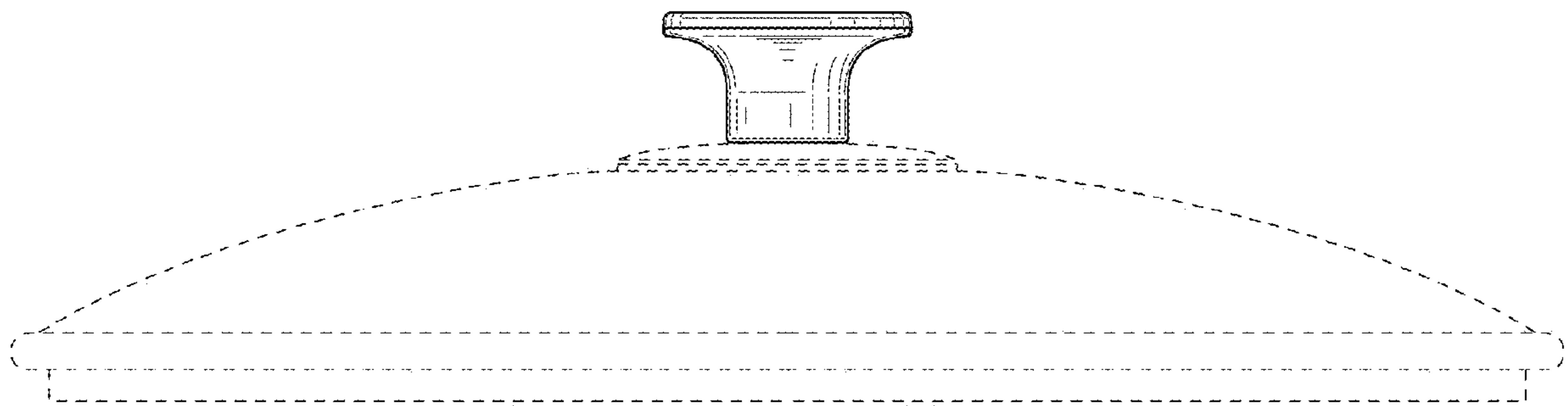
1.6



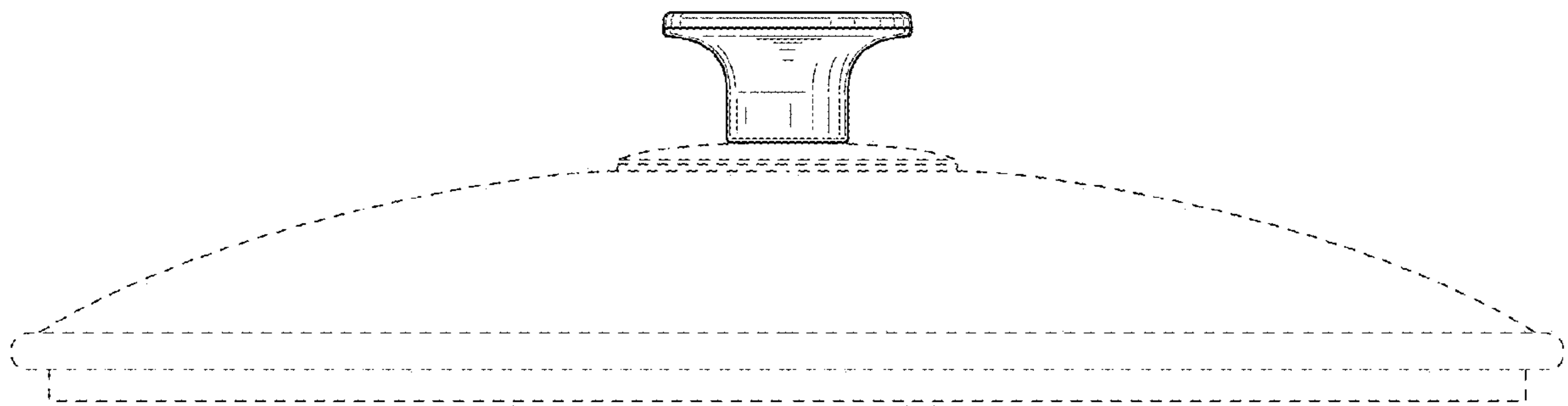
1.7



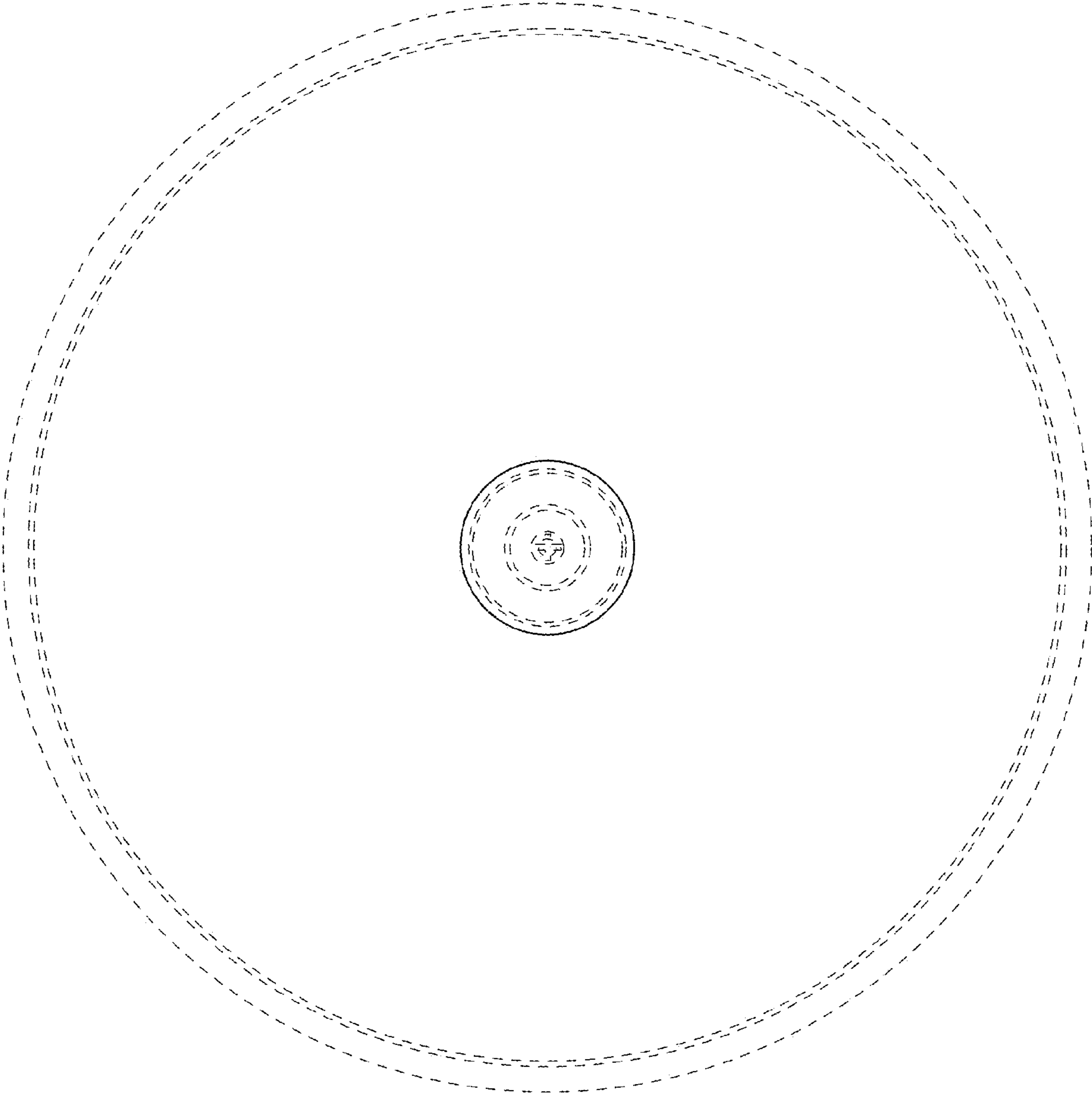
2.1



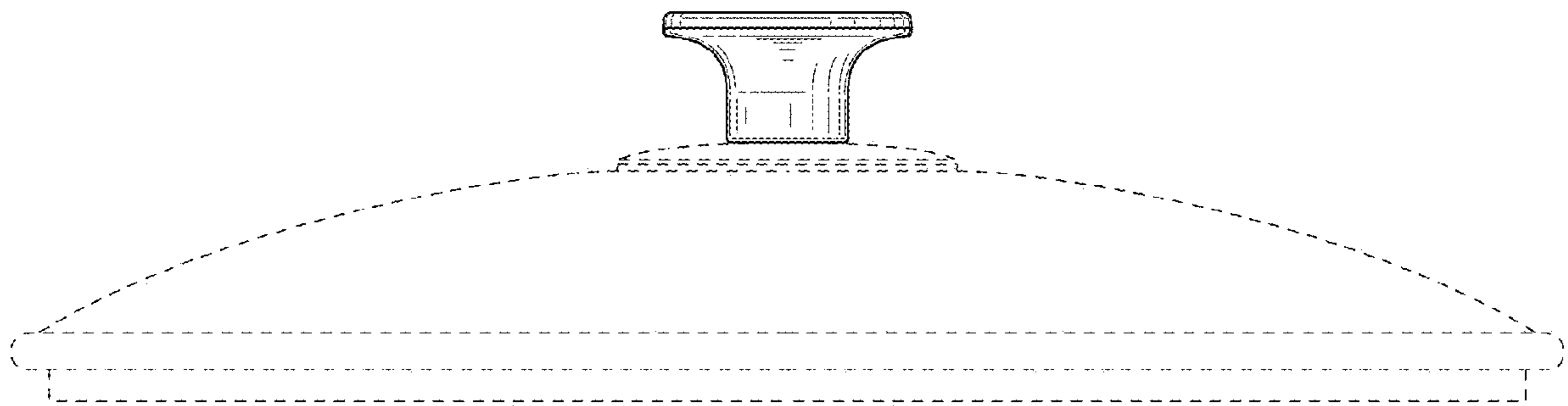
2.2



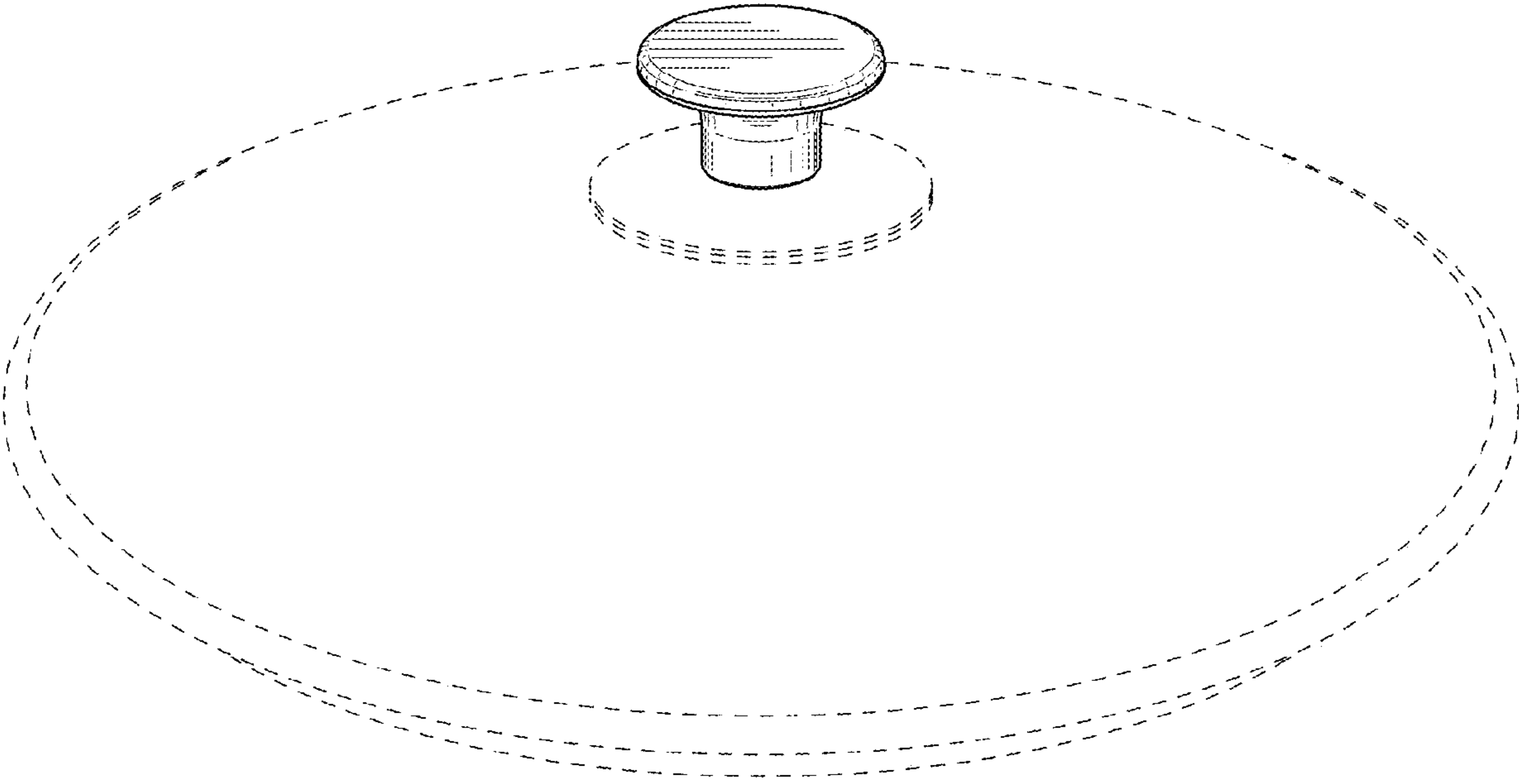
2.3



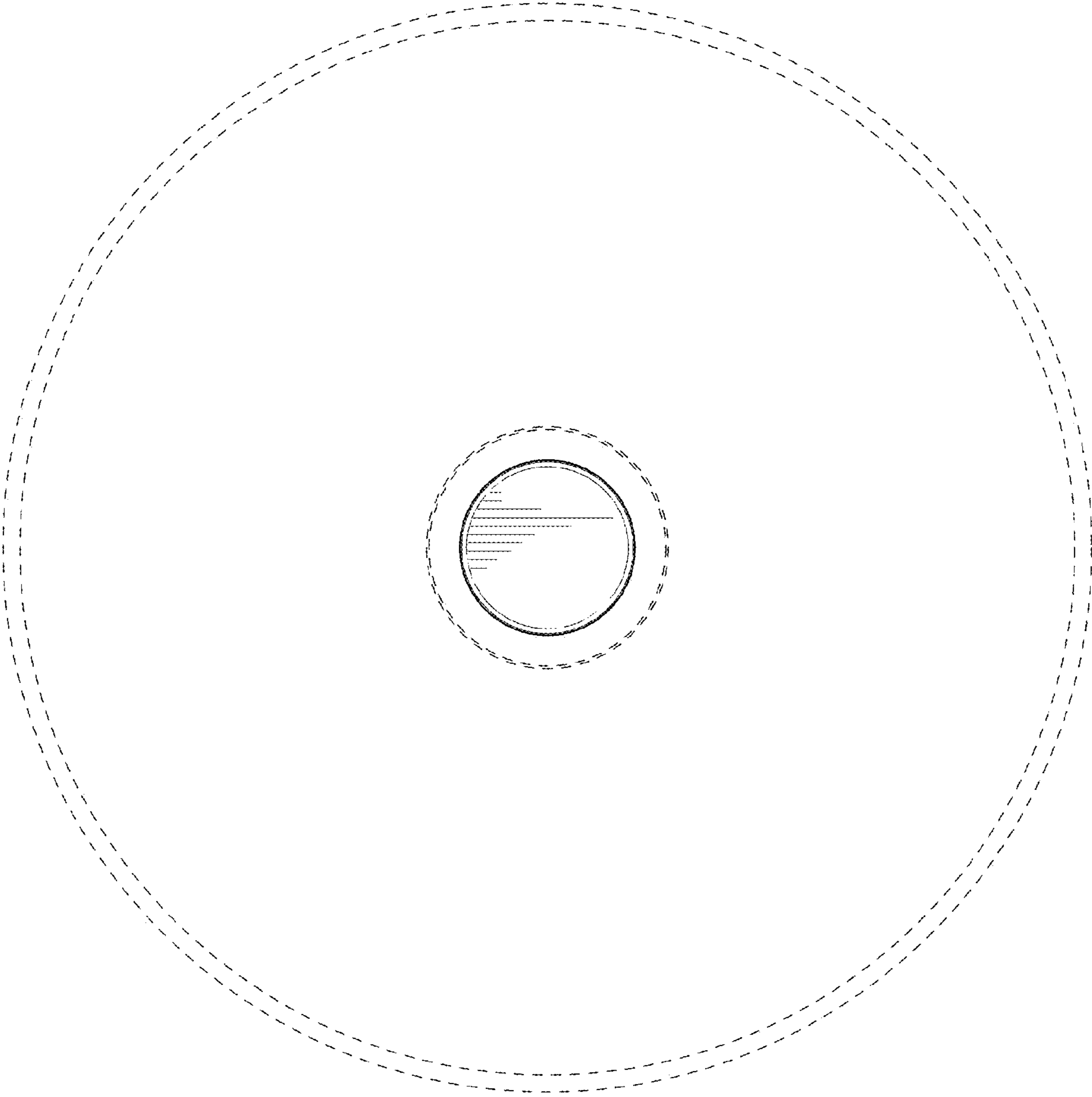
2.4



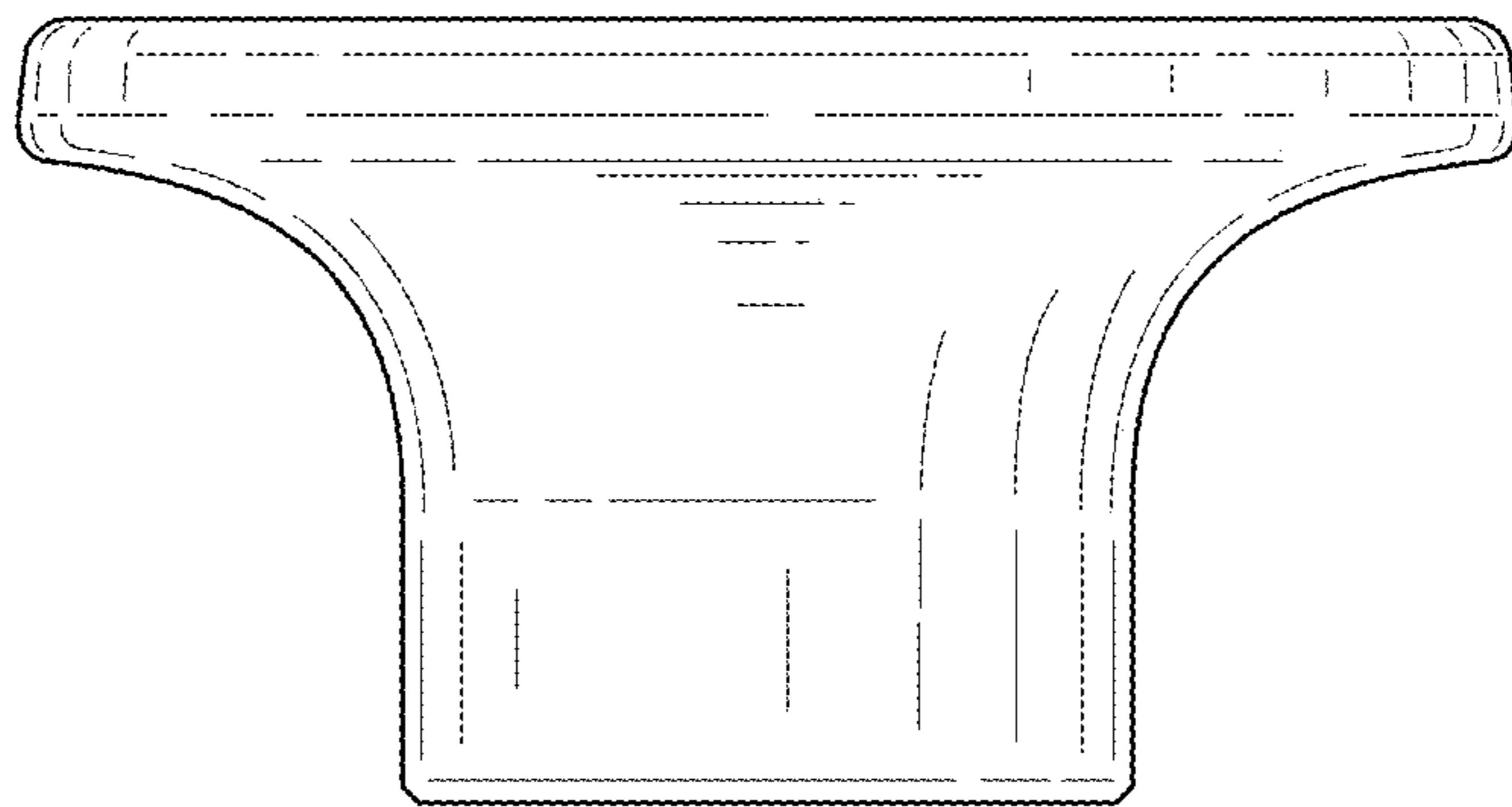
2.5



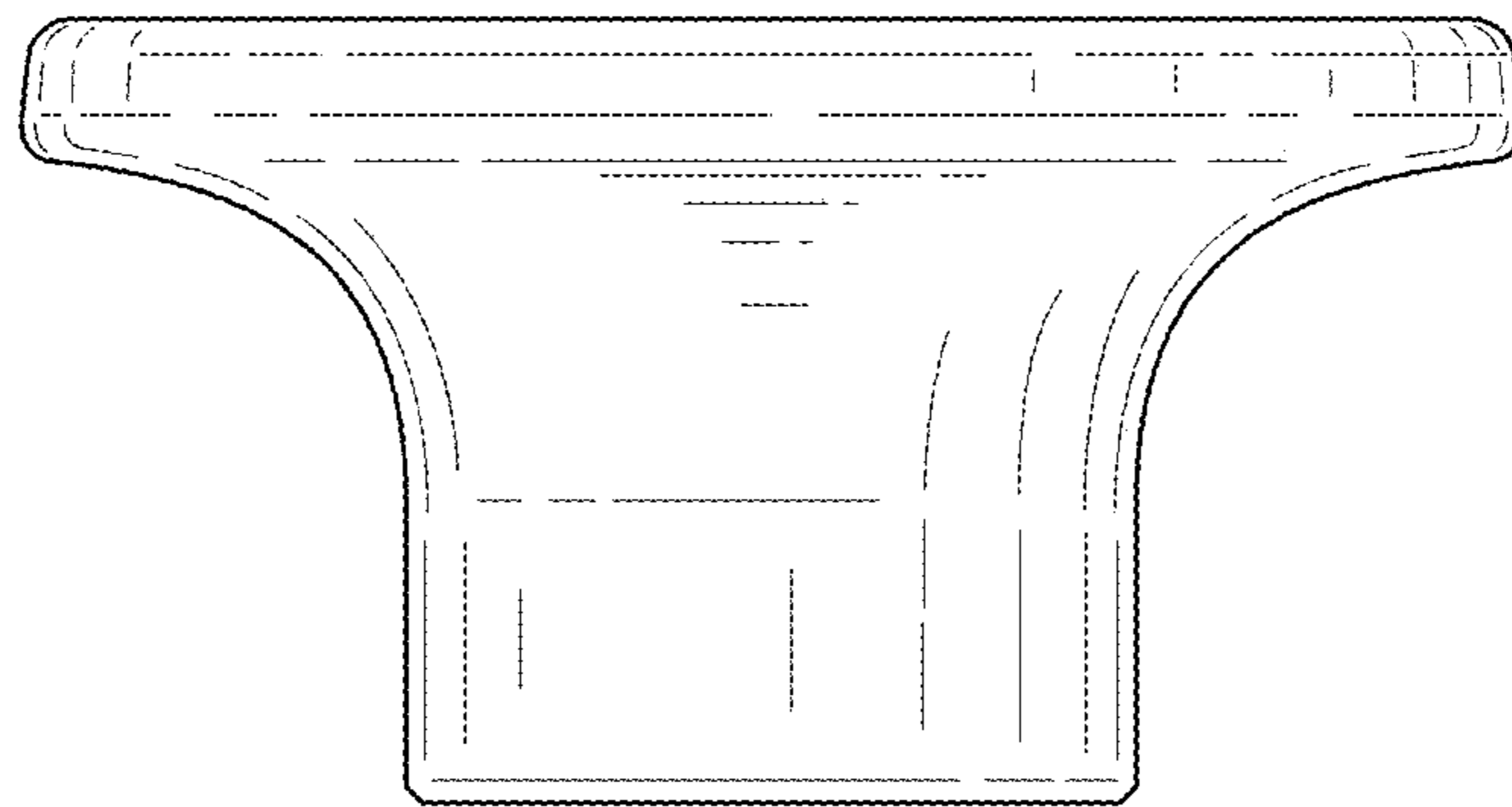
2.6



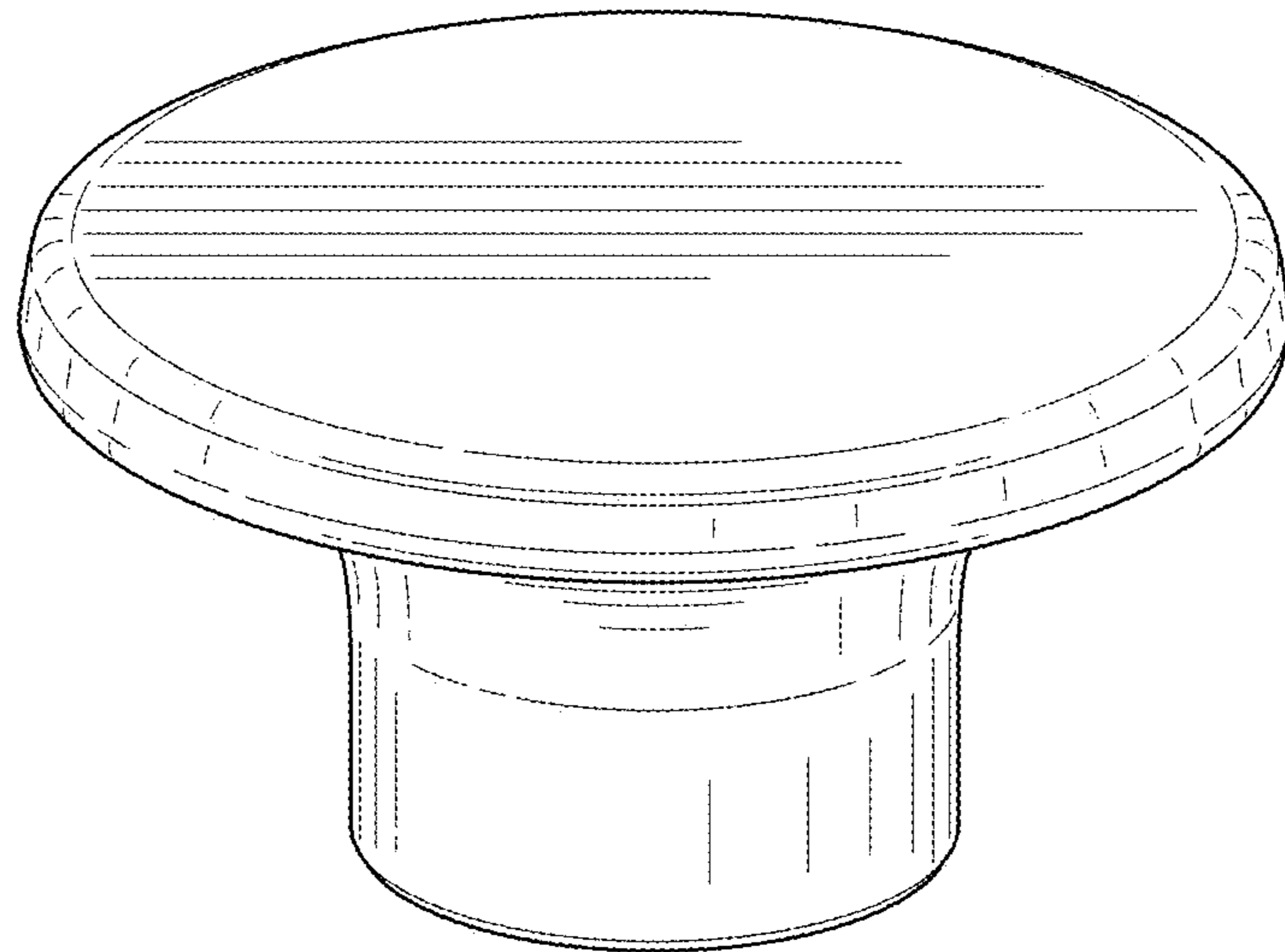
2.7



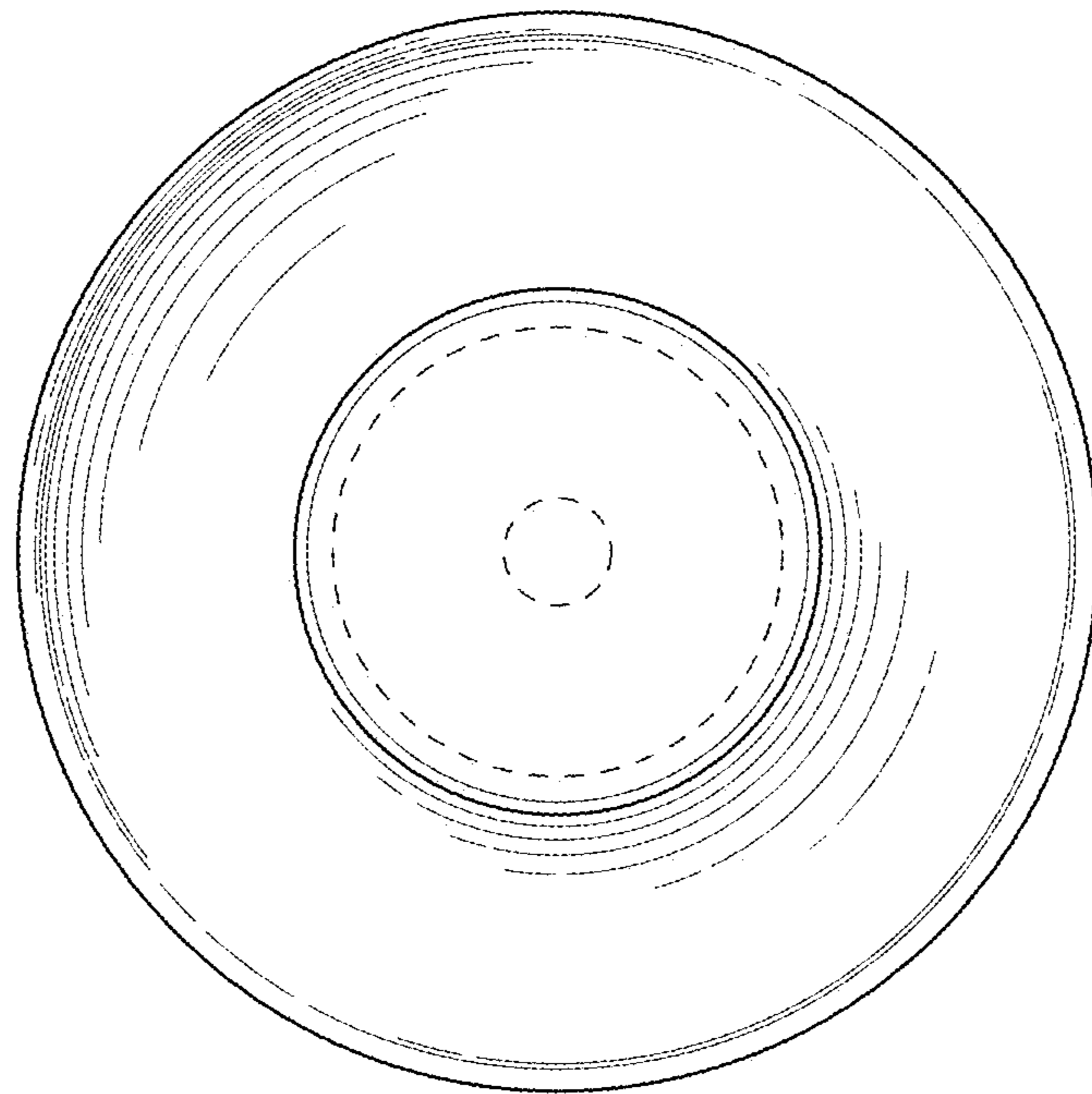
3.1



3.2



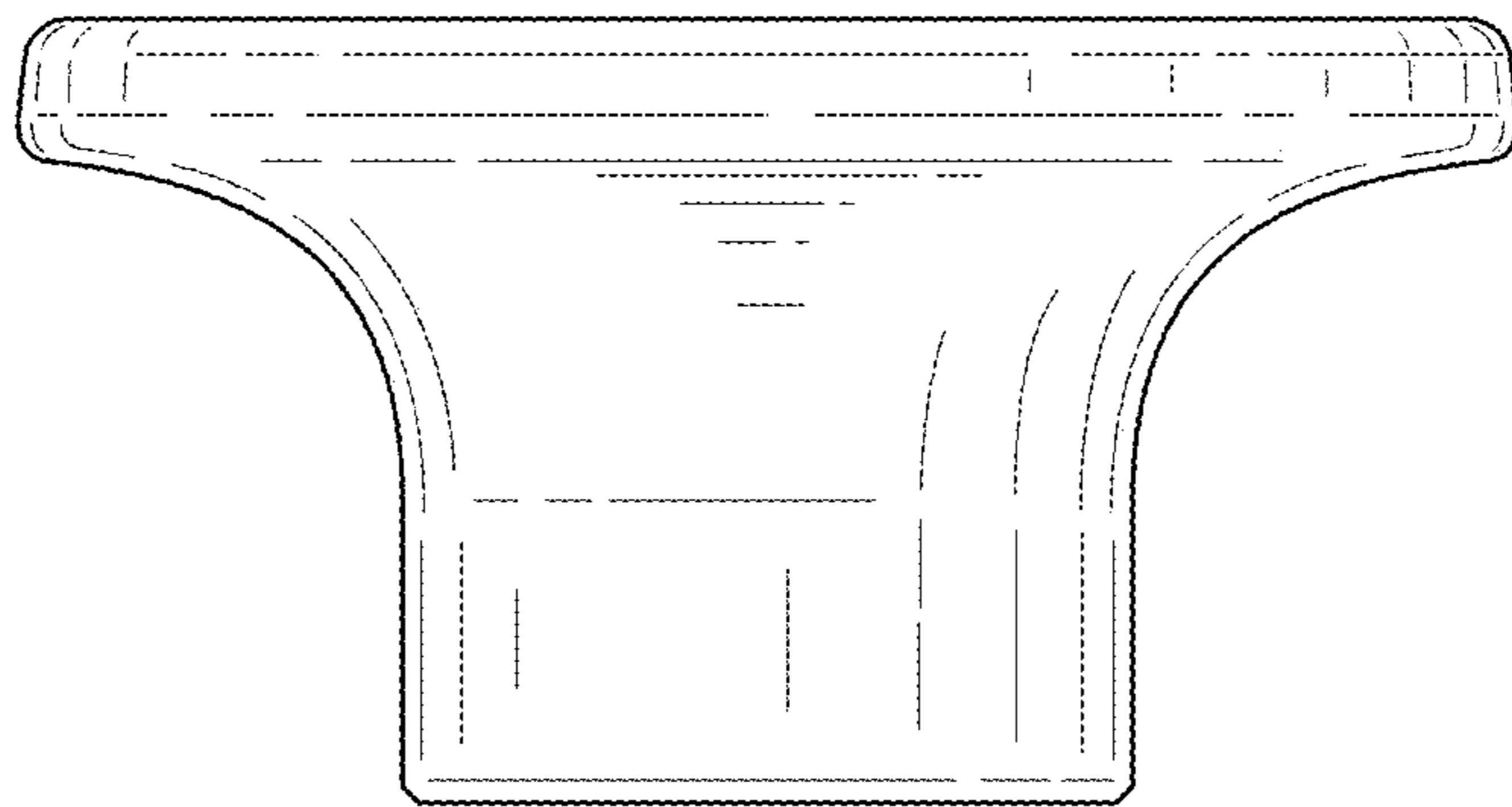
3.3



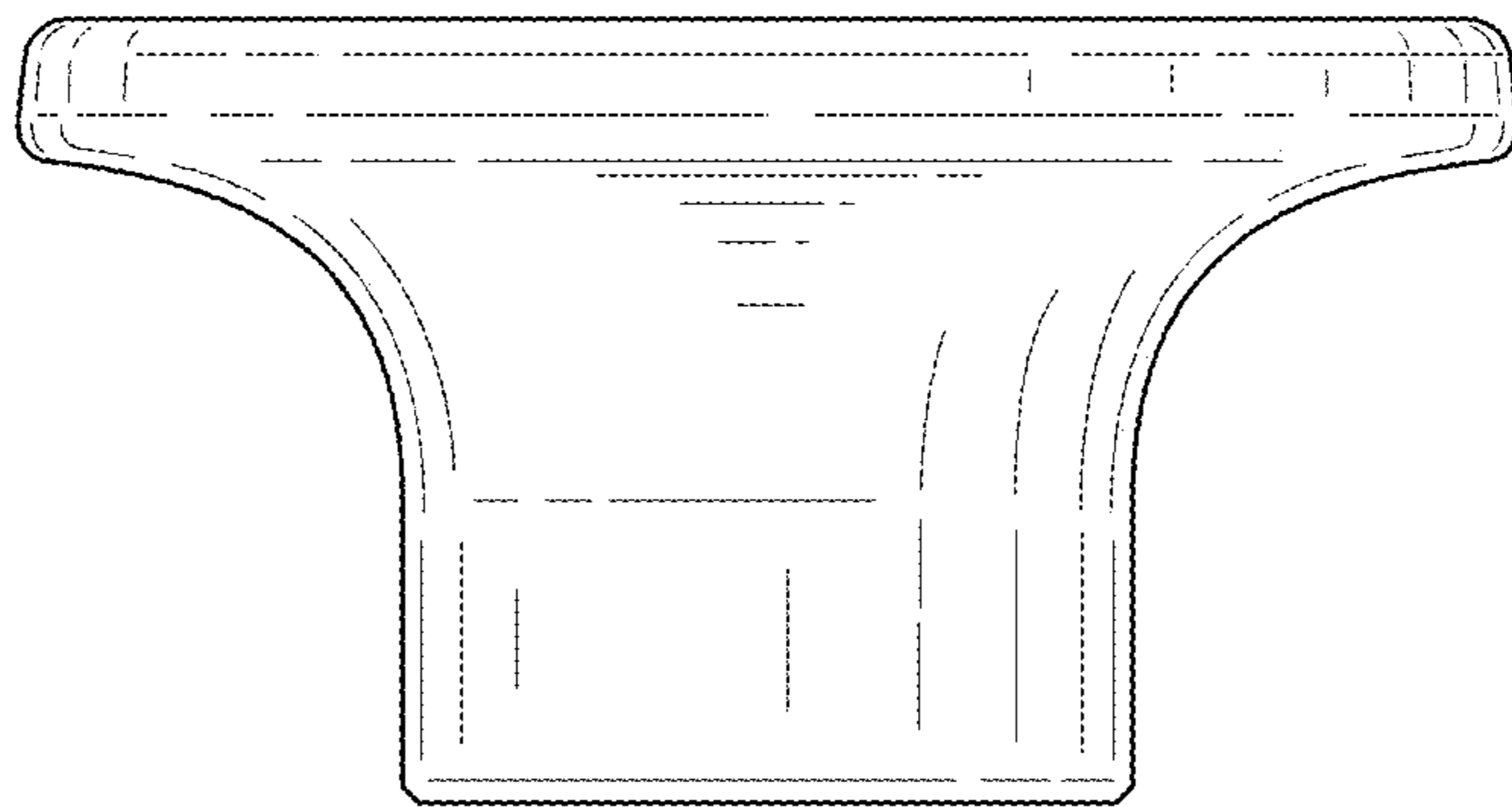
3.4



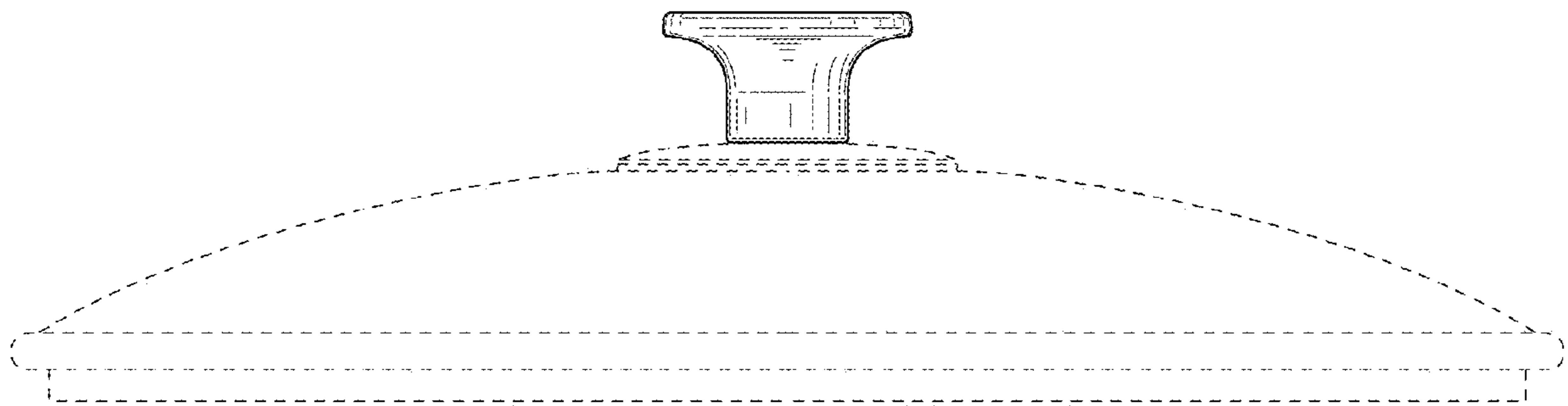
3.5



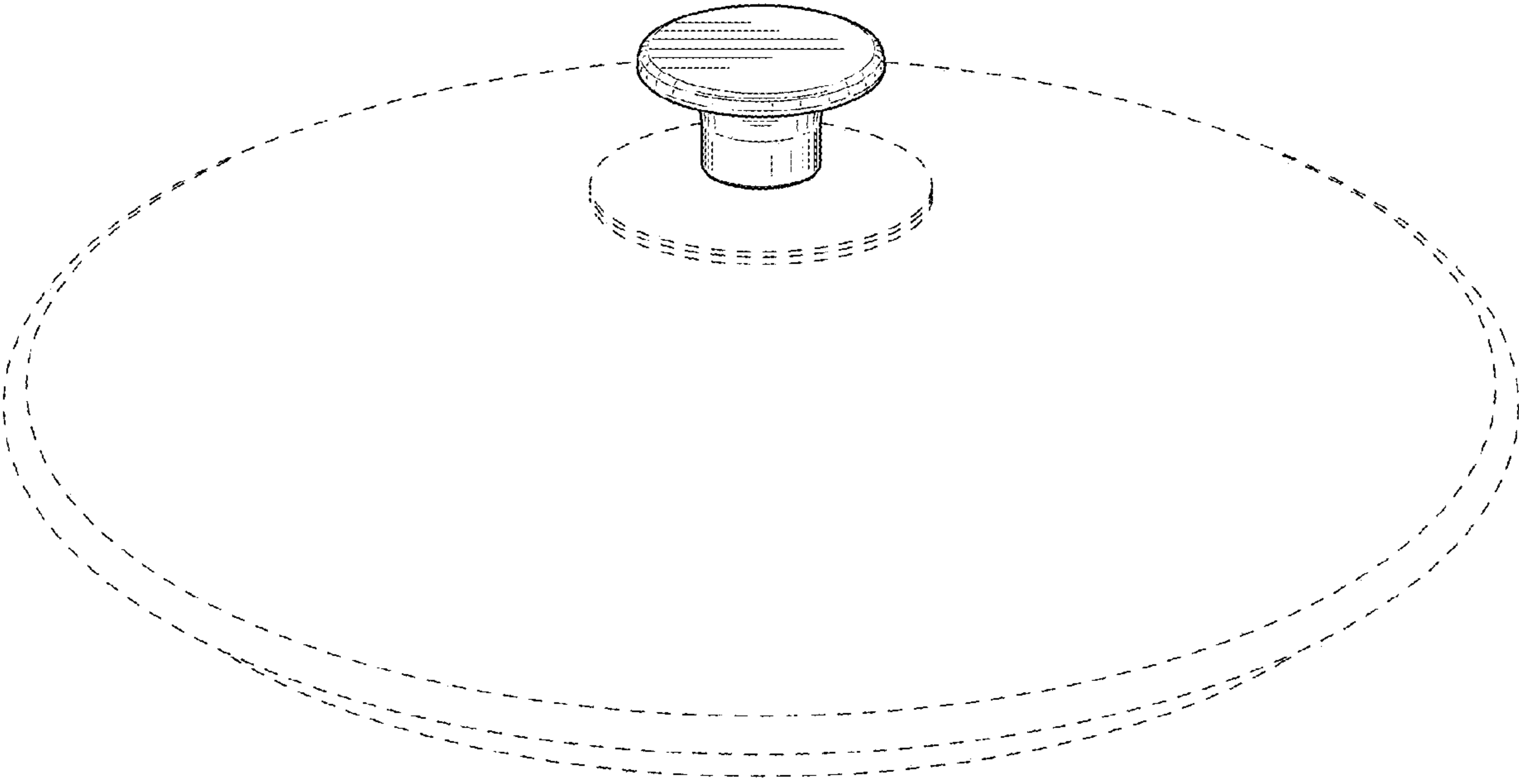
3.6



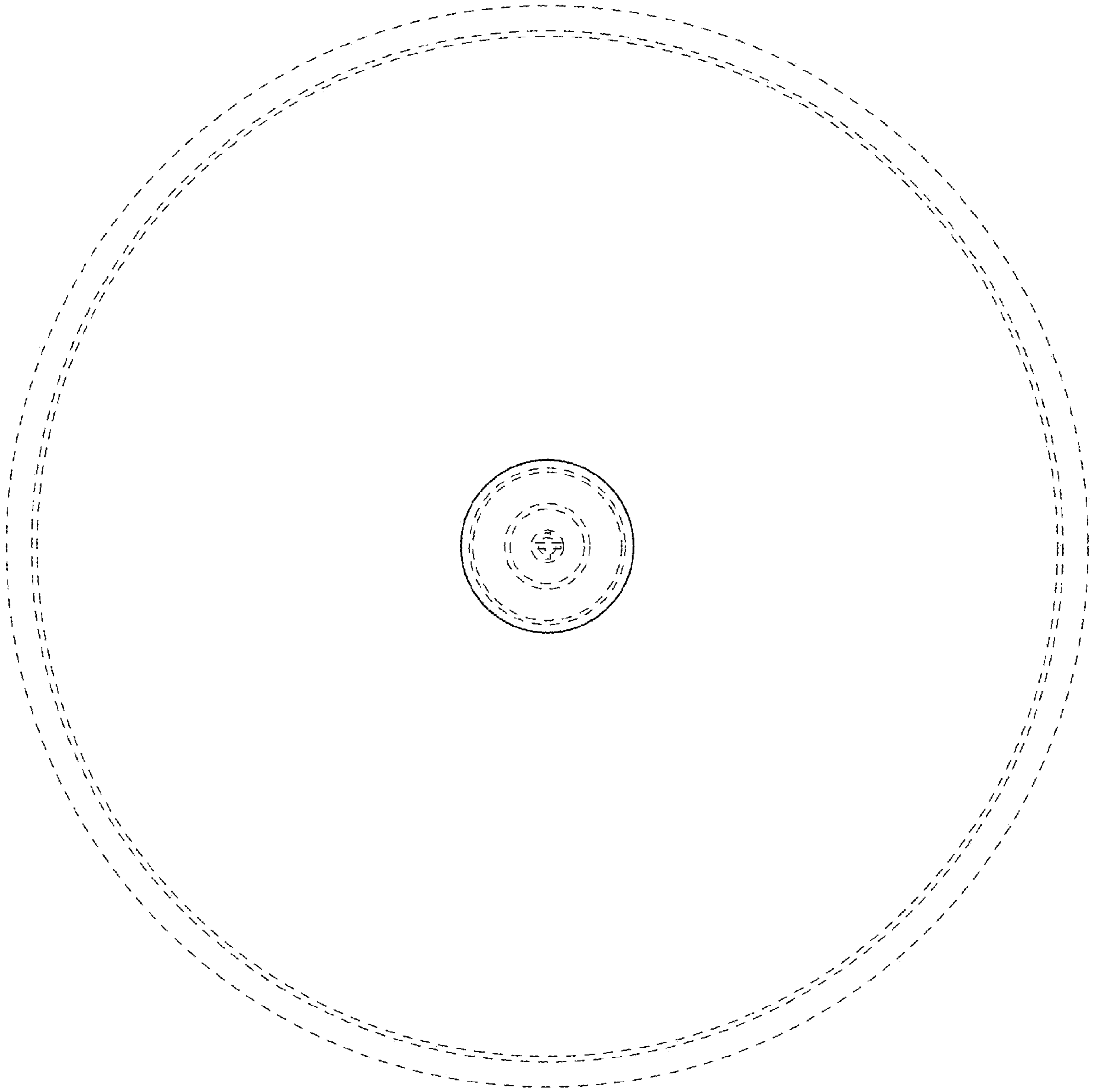
3.7



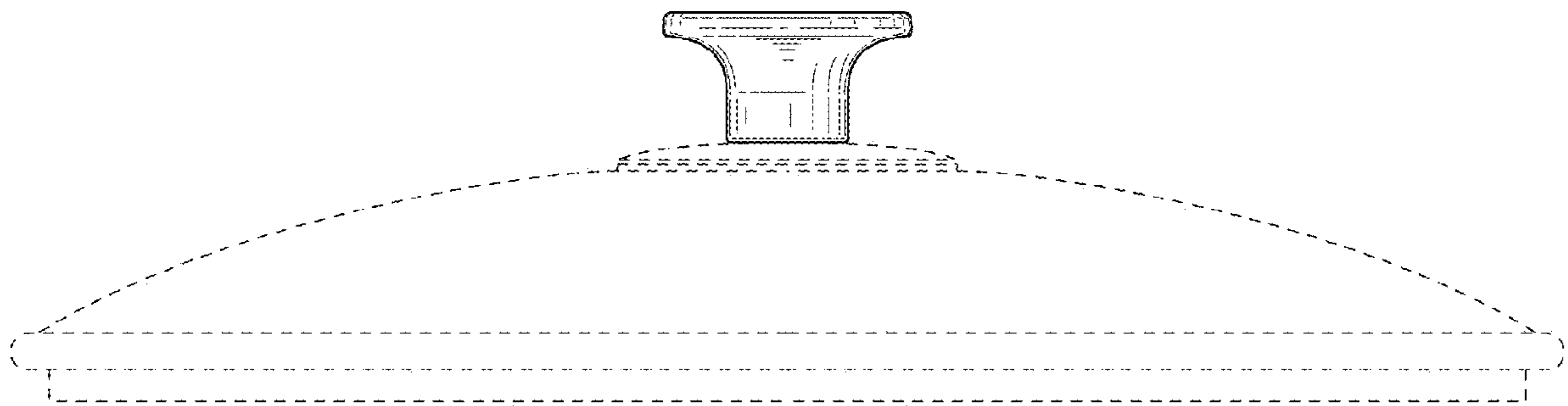
4.1



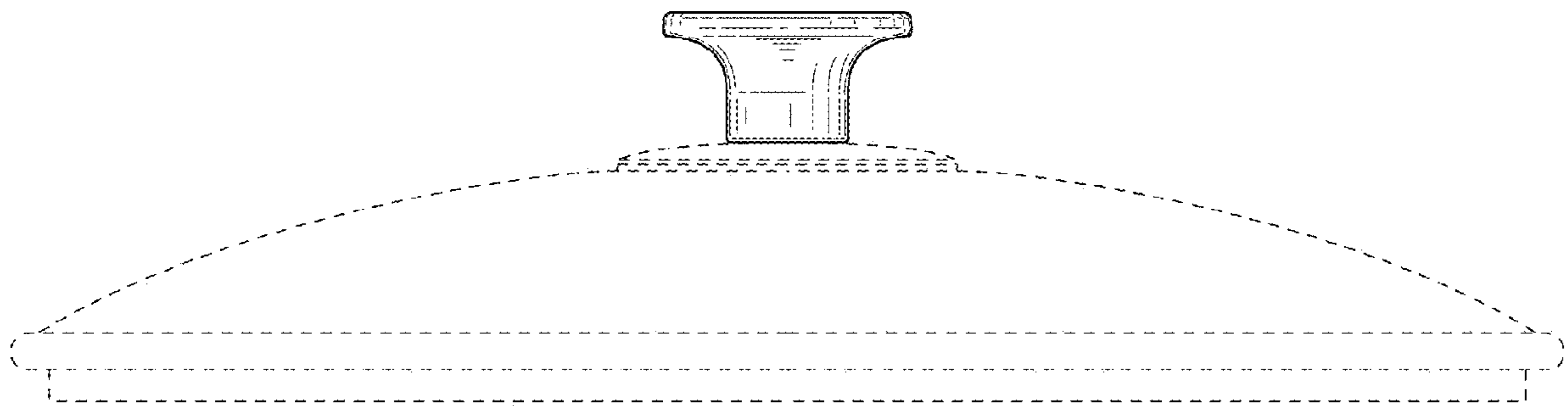
4.2



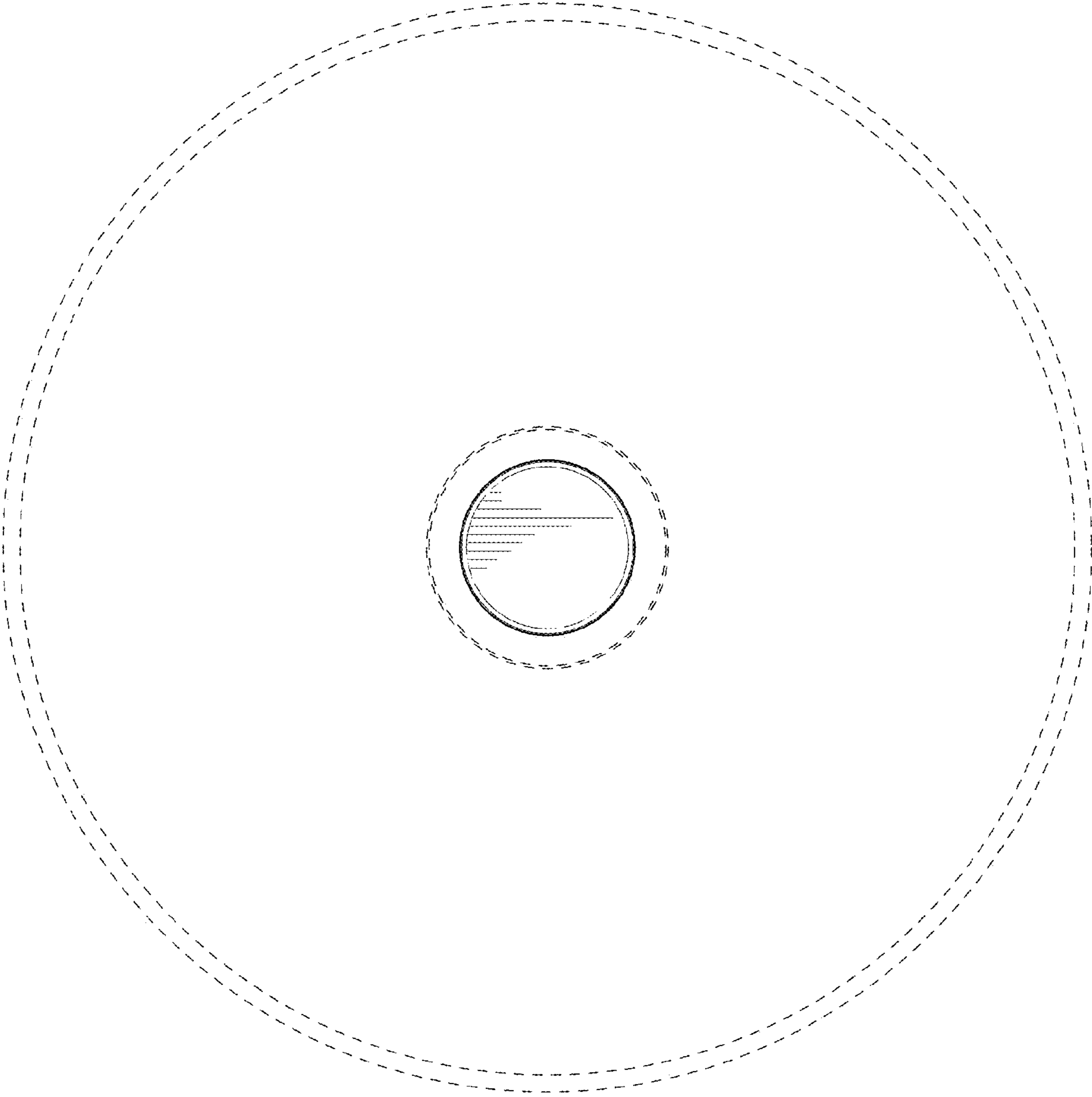
4.3



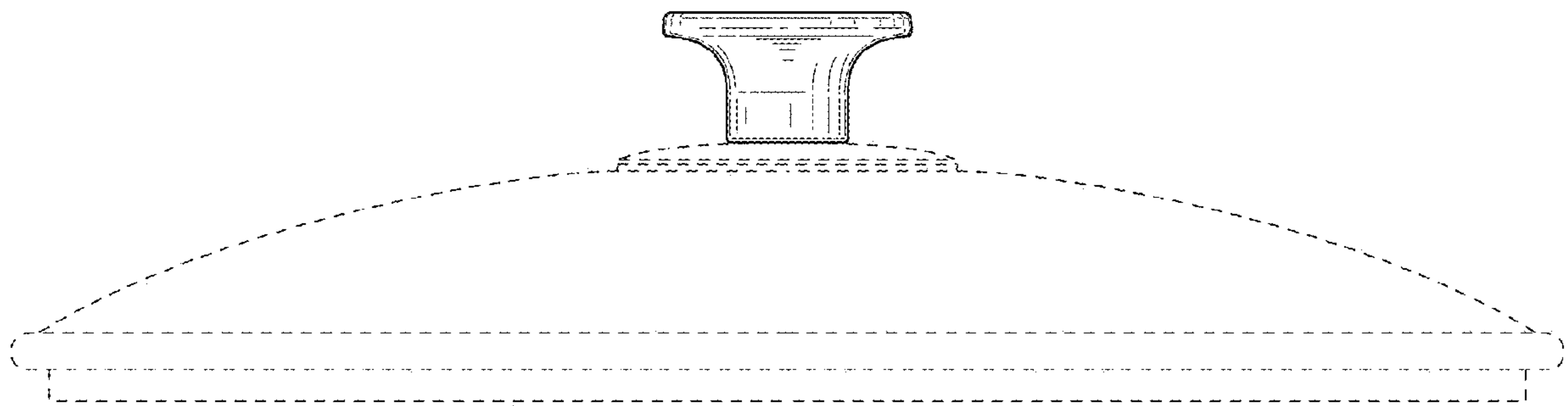
4.4



4.5



4.6



4.7