



US00D977906S

(12) **United States Design Patent** (10) **Patent No.:** **US D977,906 S**  
**Xie** (45) **Date of Patent:** **\*\* Feb. 14, 2023**

(54) **BOTTLE LID**

FOREIGN PATENT DOCUMENTS

(71) Applicant: **Feng Xie**, Jiangsu (CN)  
(72) Inventor: **Feng Xie**, Jiangsu (CN)  
(73) Assignee: **Wuxi Zeyuan Network Technology Co., Ltd.**, Jiangsu (CN)

CN 306889346 \* 10/2021  
CN 306937936 \* 11/2021  
CN 307015710 \* 12/2021  
CN 307031754 \* 12/2021  
CN 307057845 \* 1/2022

(Continued)

(\*\*) Term: **15 Years**

OTHER PUBLICATIONS

(21) Appl. No.: **29/856,557**

Brumate [online] URL: <https://www.brumate.com/products/growlr-straw-lid?variant=32494217330759> (site visited: Nov. 29, 2022) (Year: 2020).\*

(22) Filed: **Oct. 14, 2022**

(Continued)

(51) **LOC (14) Cl.** ..... **07-99**

(52) **U.S. Cl.**  
USPC ..... **D7/392.1; D7/396.2**

*Primary Examiner* — Jae Liang  
*Assistant Examiner* — Tia Ruth-Renee Polidori

(58) **Field of Classification Search**  
USPC ..... D10/68; D7/393, 507, 509, 510, 511, D7/536, 392.1, 396.1, 396.2, 300.1, 598; D3/202; D9/443, 446, 449  
CPC ..... B65D 1/40; A47G 21/18; A47G 19/22; A47G 19/2288; A47G 19/2205; A47J 41/0055; A47J 41/0022; A47J 41/00; A47J 41/0077; A47J 41/0088  
See application file for complete search history.

(57) **CLAIM**

The ornamental design for a bottle lid, as shown and described.

**DESCRIPTION**

(56) **References Cited**

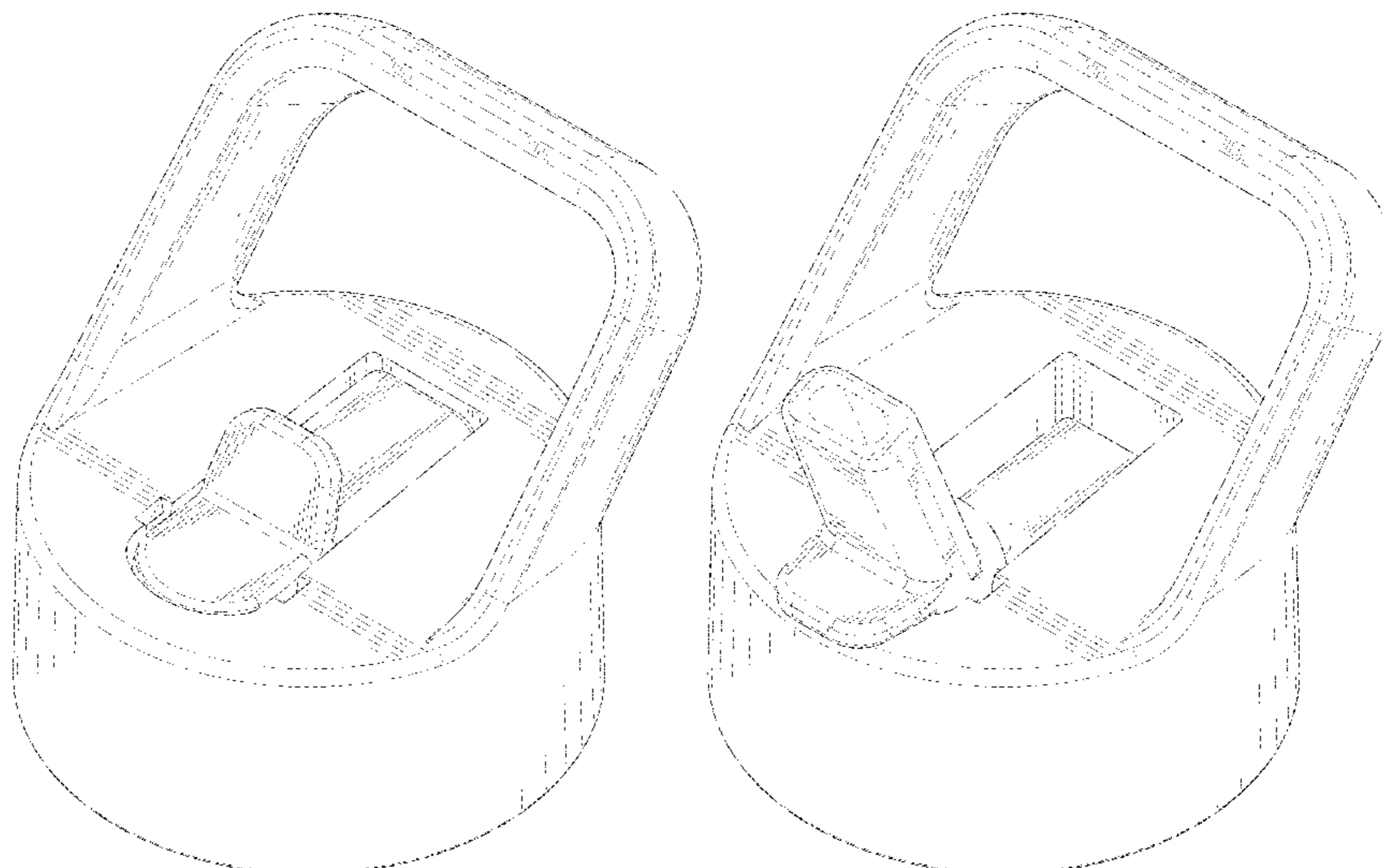
U.S. PATENT DOCUMENTS

D808,713 S \* 1/2018 Rane ..... D9/443  
D811,162 S \* 2/2018 Rane ..... D9/449  
D821,135 S \* 6/2018 Rane ..... D7/378  
D821,809 S \* 7/2018 Rane ..... D9/449  
D828,094 S \* 9/2018 Jackson ..... D7/532  
D886,517 S \* 6/2020 Bo ..... D7/392.1  
D897,760 S \* 10/2020 Feng ..... D9/453  
D900,537 S \* 11/2020 Yao ..... D7/392.1  
D900,539 S \* 11/2020 Yao ..... D7/392.1  
D903,403 S \* 12/2020 Ames ..... D7/392.1  
D915,821 S \* 4/2021 Ludolph ..... D7/392.1  
D935,265 S \* 11/2021 Chen ..... D7/392.1  
D939,888 S \* 1/2022 Wang ..... D7/392.1

FIG. 1 is a front and top perspective view of a bottle lid, showing my new design;  
FIG. 2 is a rear and bottom perspective view thereof;  
FIG. 3 is a front elevation view thereof;  
FIG. 4 is a rear elevation view thereof;  
FIG. 5 is a left side elevation view thereof;  
FIG. 6 is a right side elevation view thereof;  
FIG. 7 is a top plan view thereof;  
FIG. 8 is a bottom plan view thereof;  
FIG. 9 is another perspective view thereof, shown in an alternative position;  
FIG. 10 is another perspective view thereof, shown in an alternative position; and,  
FIG. 11 is another perspective view thereof, shown in an alternative position.  
The broken lines in the figures illustrate portions of the bottle lid that form no part of the claimed design.

(Continued)

**1 Claim, 11 Drawing Sheets**



(56)

**References Cited**

U.S. PATENT DOCUMENTS

D950,306 S \* 5/2022 Peng ..... D7/392.1  
D951,699 S 5/2022 Dippel et al.  
D953,105 S \* 5/2022 Ames ..... D7/392  
D955,162 S \* 6/2022 Ames ..... D7/392.1  
D955,174 S \* 6/2022 Smith ..... D7/511

FOREIGN PATENT DOCUMENTS

CN 307231234 \* 4/2022  
CN 6209981 \* 5/2022  
CN 307394346 \* 6/2022  
CN 307428157 \* 7/2022  
CN 307529916 \* 9/2022  
JP D1726115 \* 9/2022

OTHER PUBLICATIONS

Columbia [online] URL: <https://www.columbia.com/p/straw-top-lid-GSO0032.html> (site visited: Nov. 29, 2022) (Year: 2020).\*

Simple Modern [online] URL: <https://www.simplemodern.com/products/summit-straw-lid?variant=28247499702344> (site visited: Nov. 29, 2022) (Year: 2020).\*

Walmart [online] URL: <https://www.walmart.com/ip/Straw-Lid-Compatible-Wide-Mouth-Water-Bottle-Replacement-Lid-for-12-64oz-Sports-Water-Bottle-Flask-Black/104386628> (site visited: Nov. 29, 2022) (Year: 2021).\*

Aurora Tritan [online] URL: <https://www.everythingbranded.com/product/aurora-24-oz-tritan-water-bottle-250272> (site visited: Nov. 29, 2022) (Year: 2022).\*

\* cited by examiner

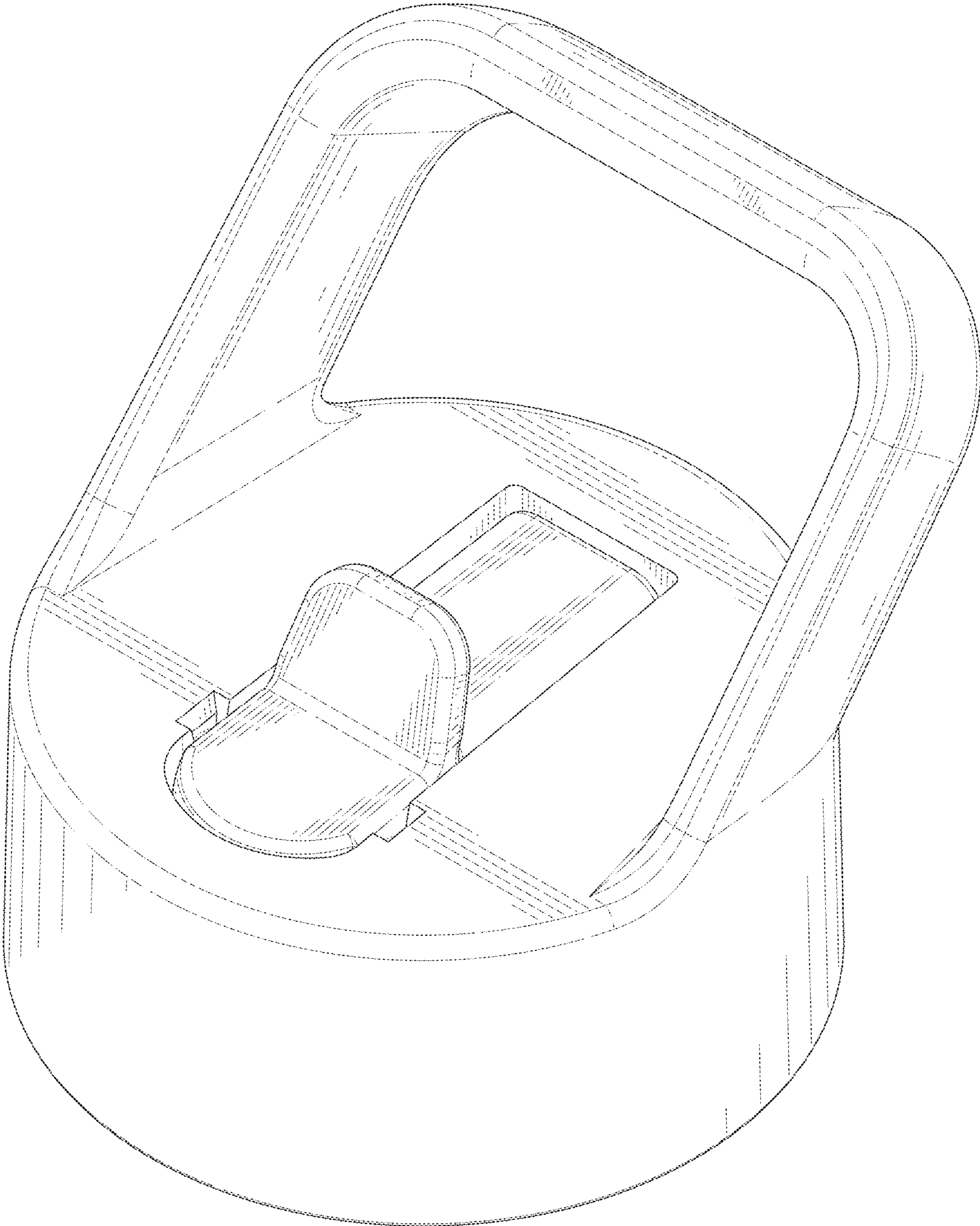


FIG. 1



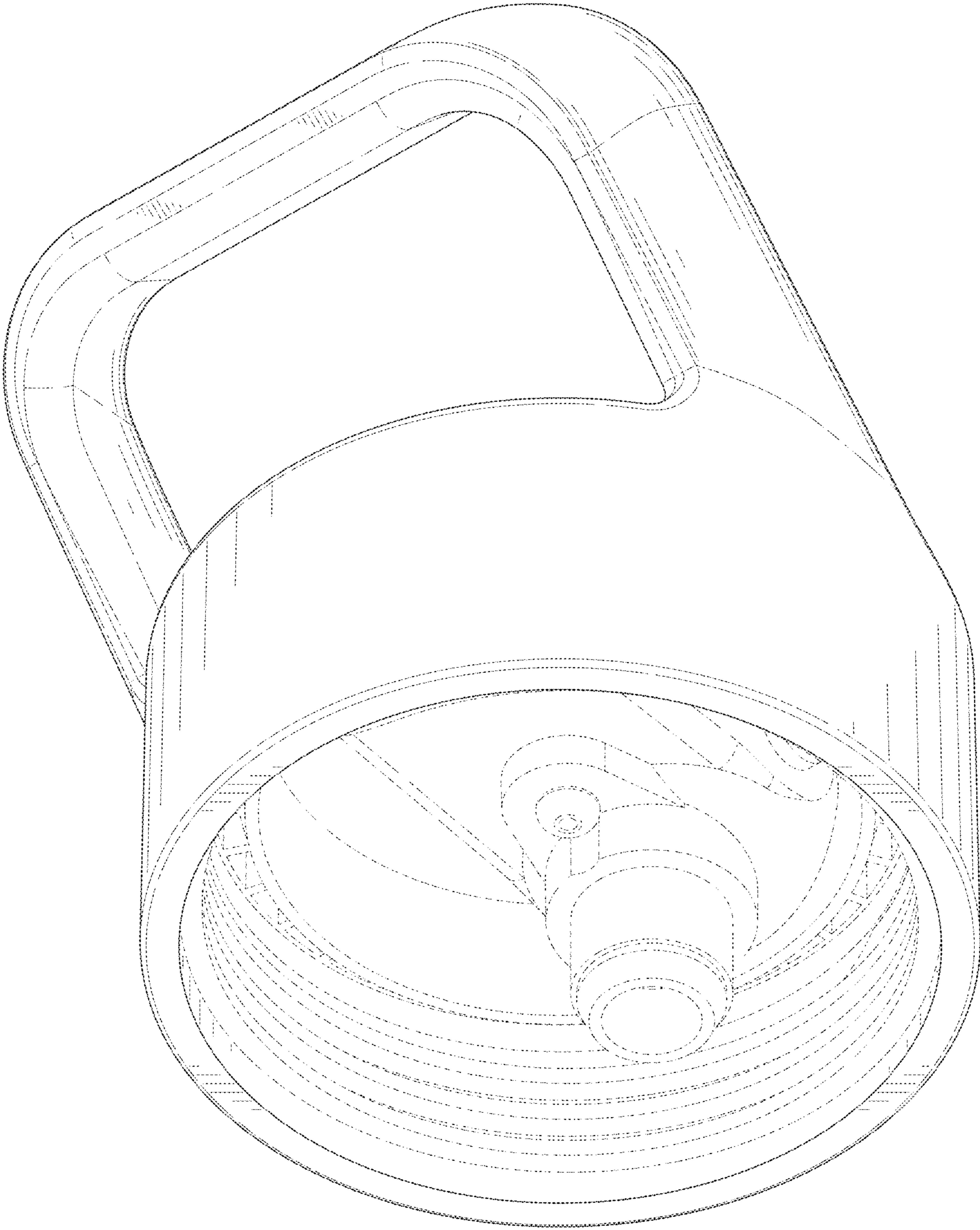


FIG. 2

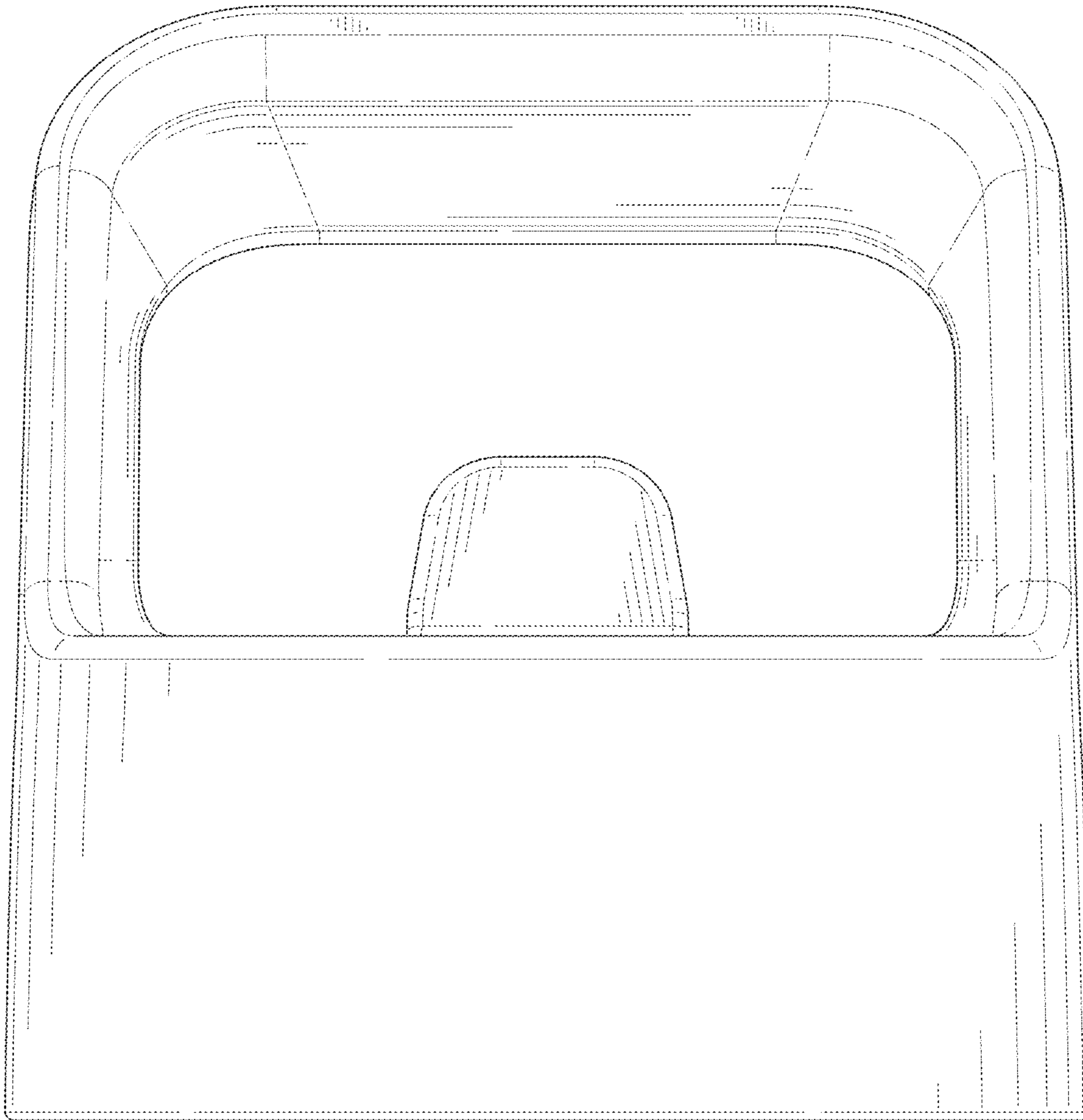


FIG. 3

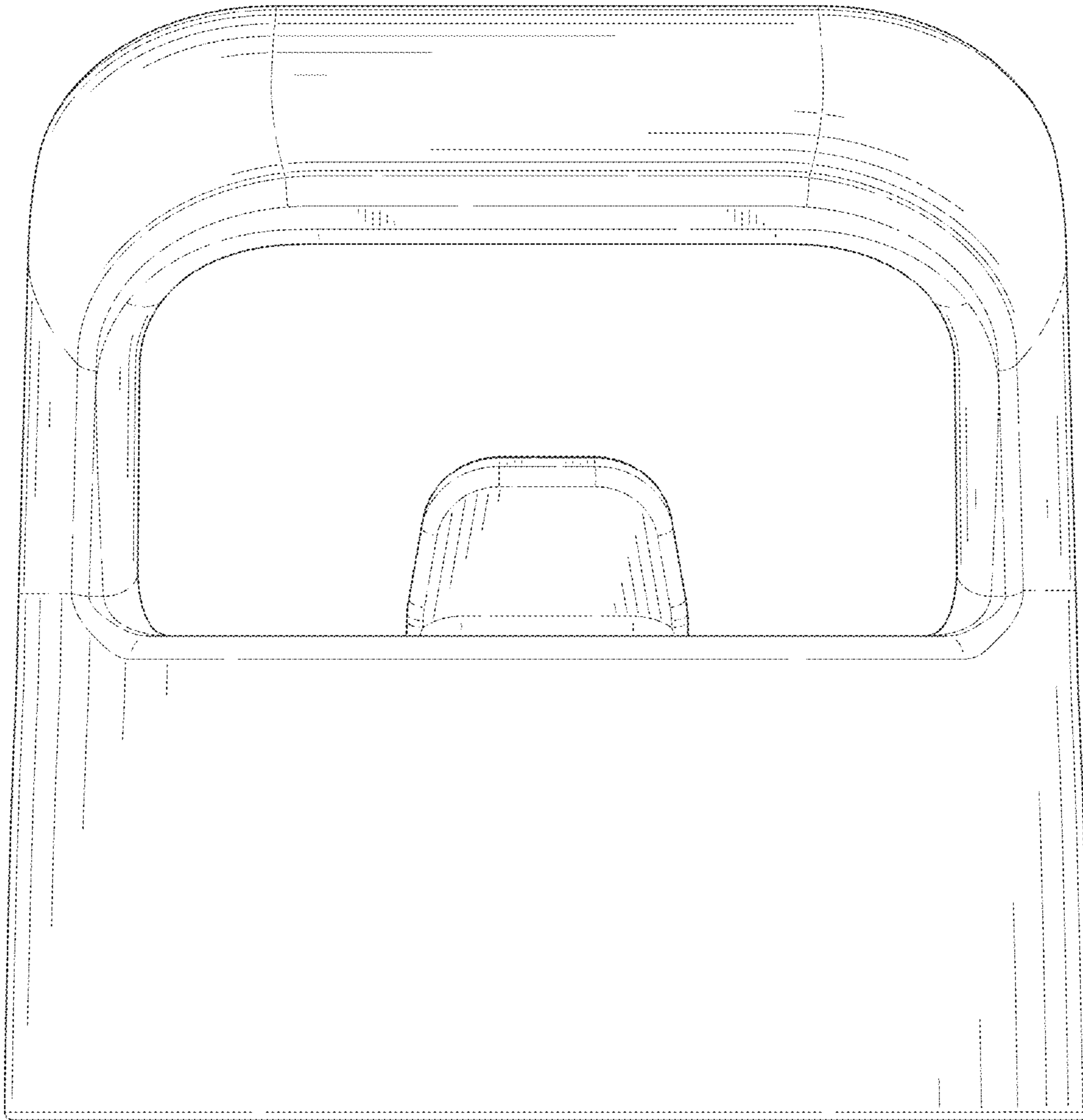


FIG. 4

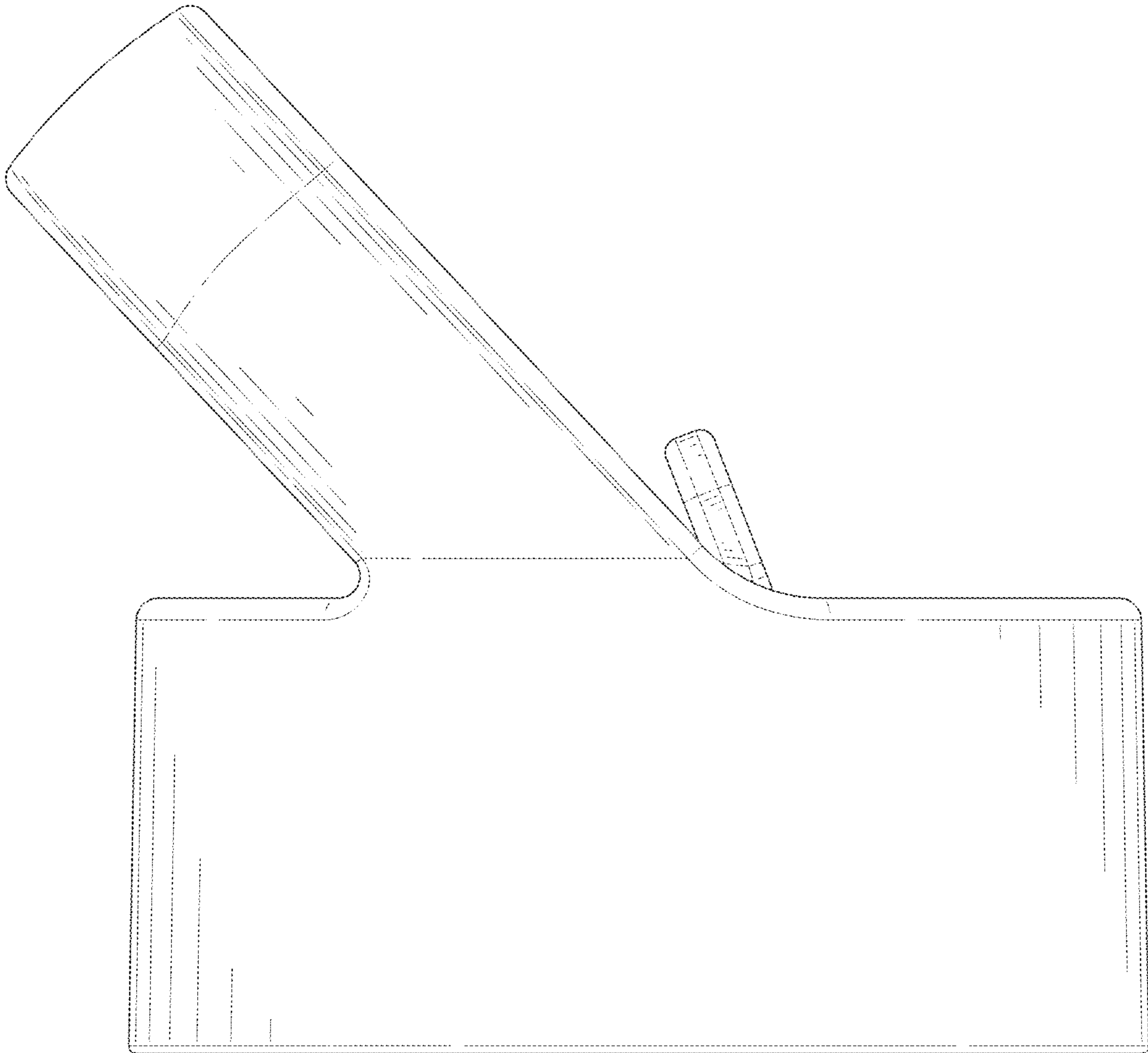


FIG. 5

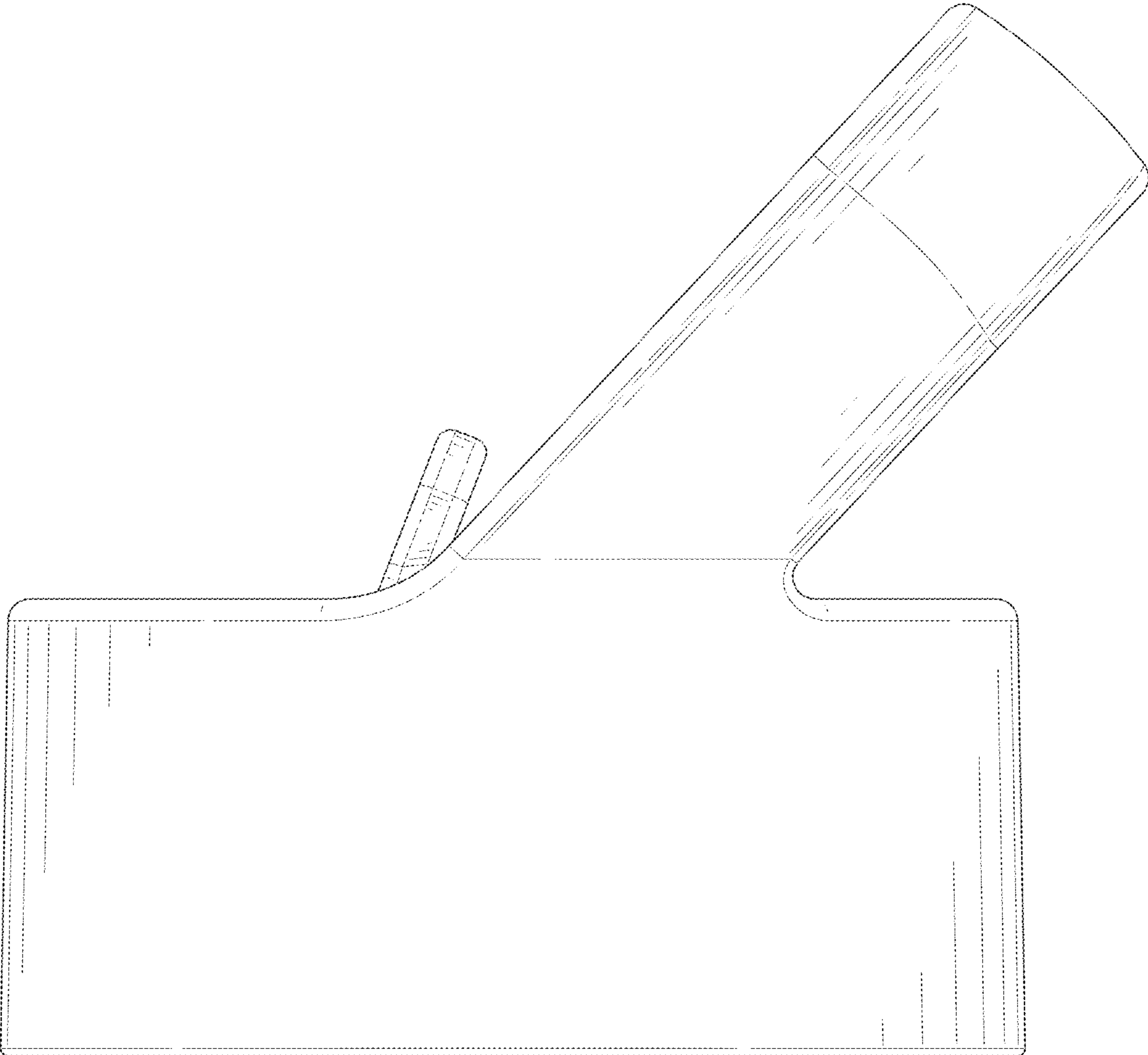


FIG. 6



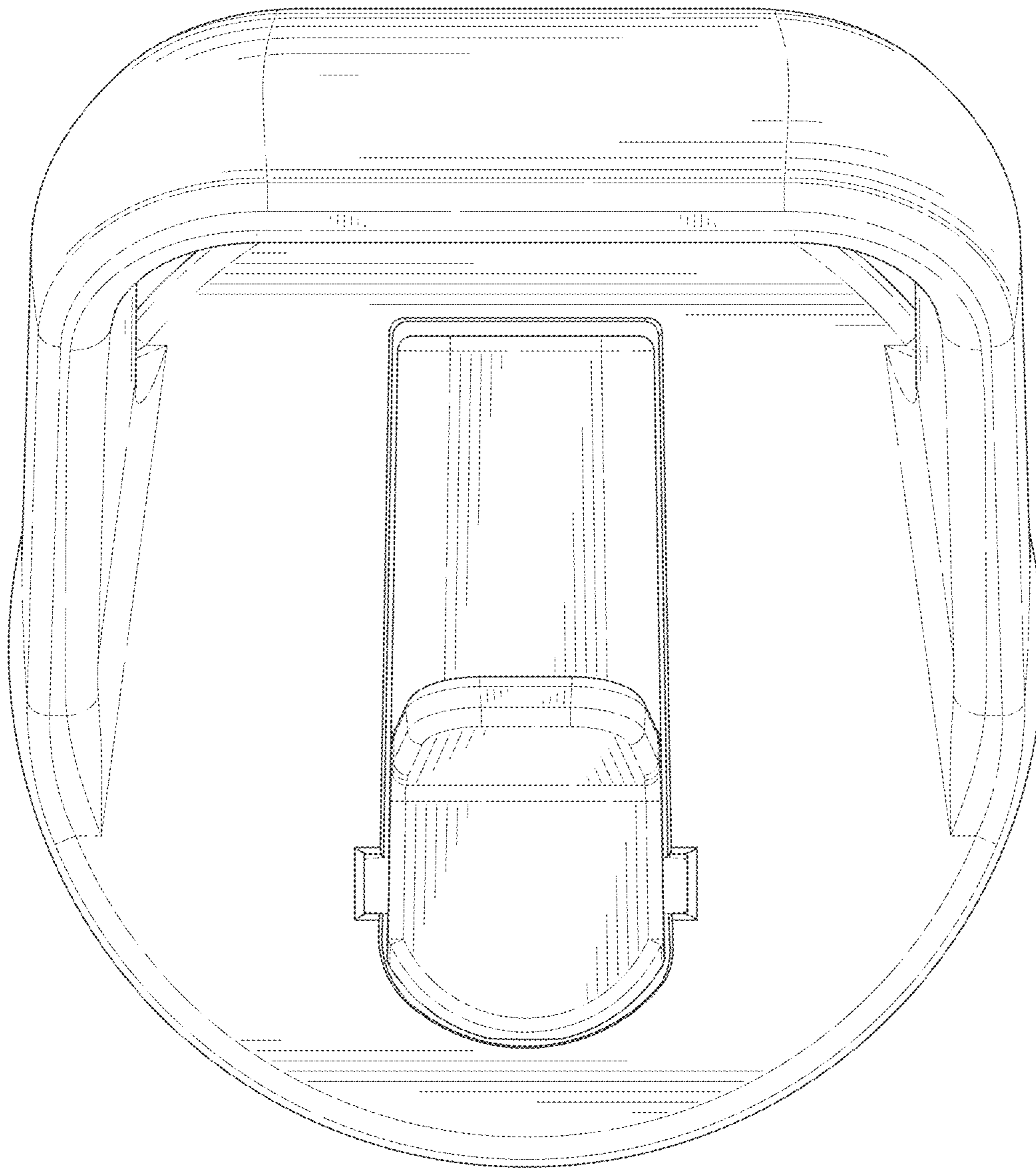


FIG. 7

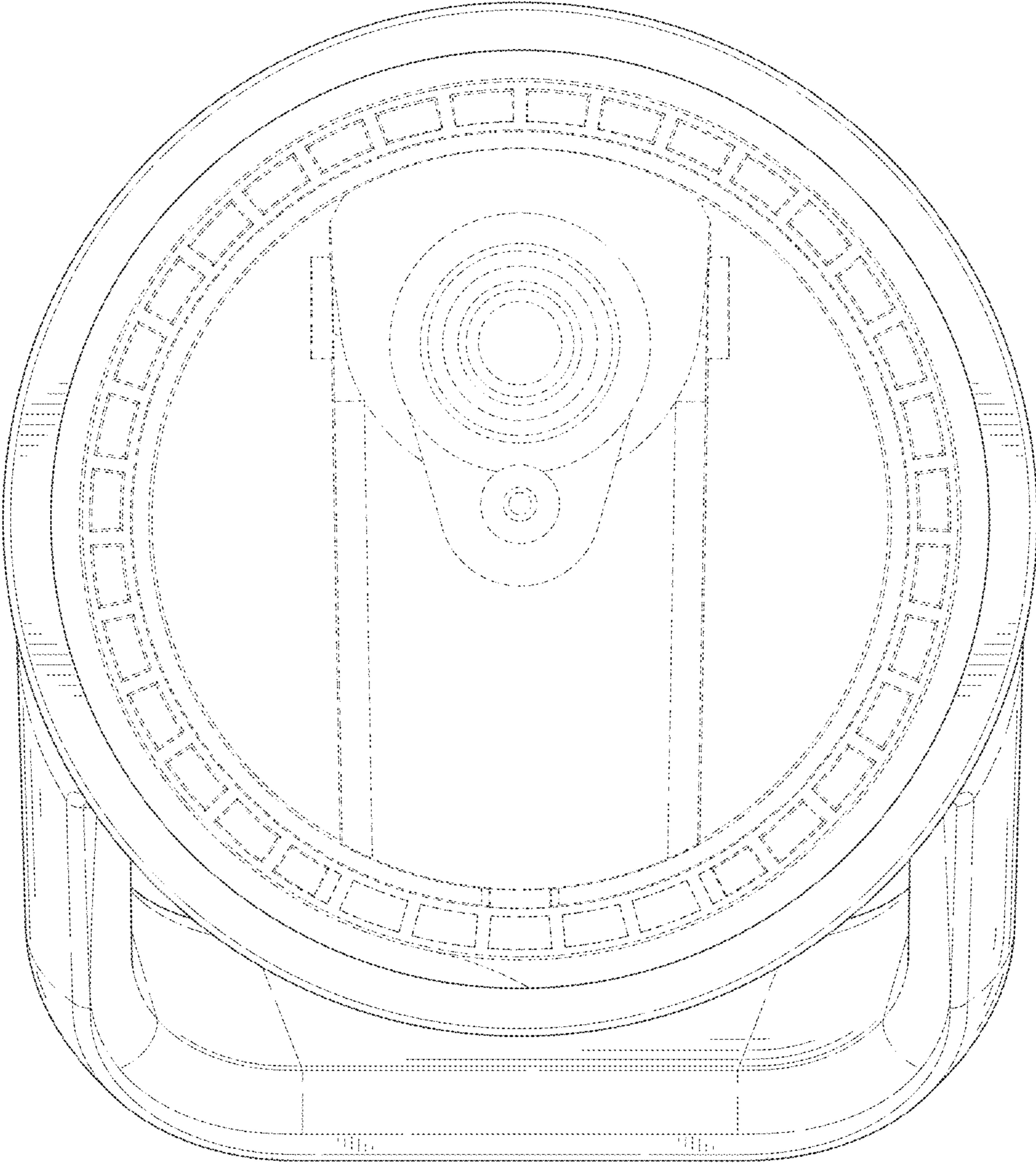


FIG. 8

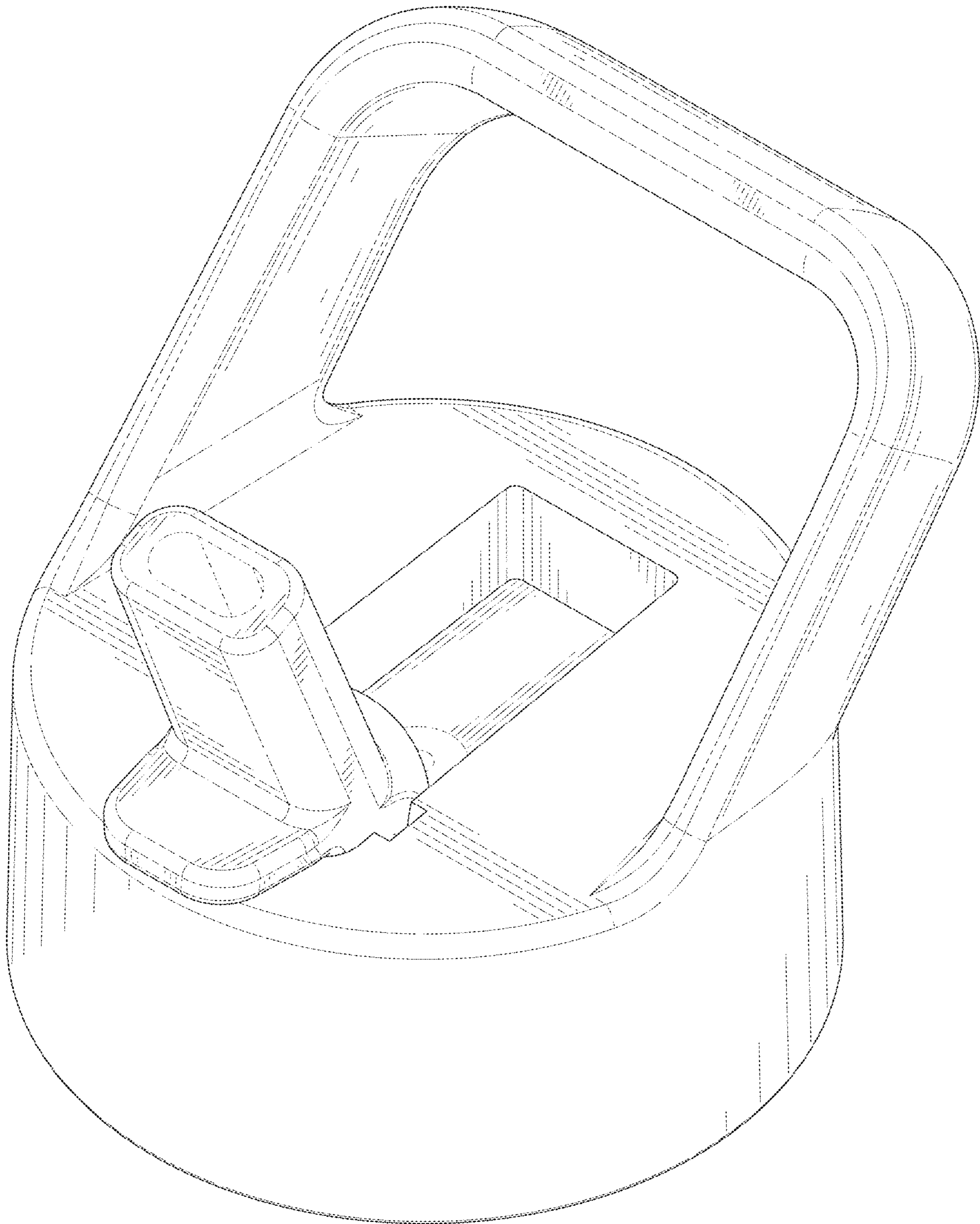


FIG. 9

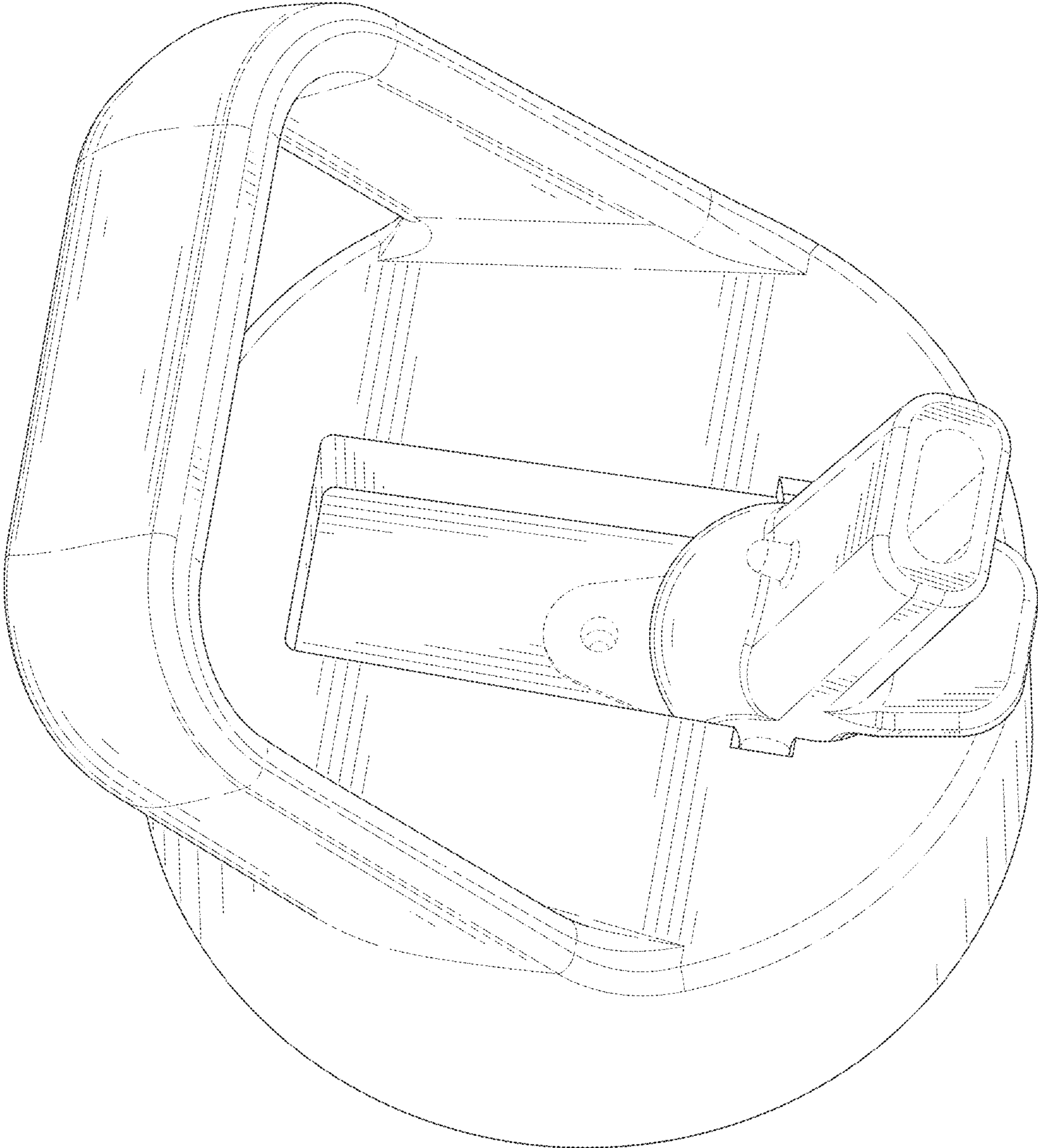


FIG. 10



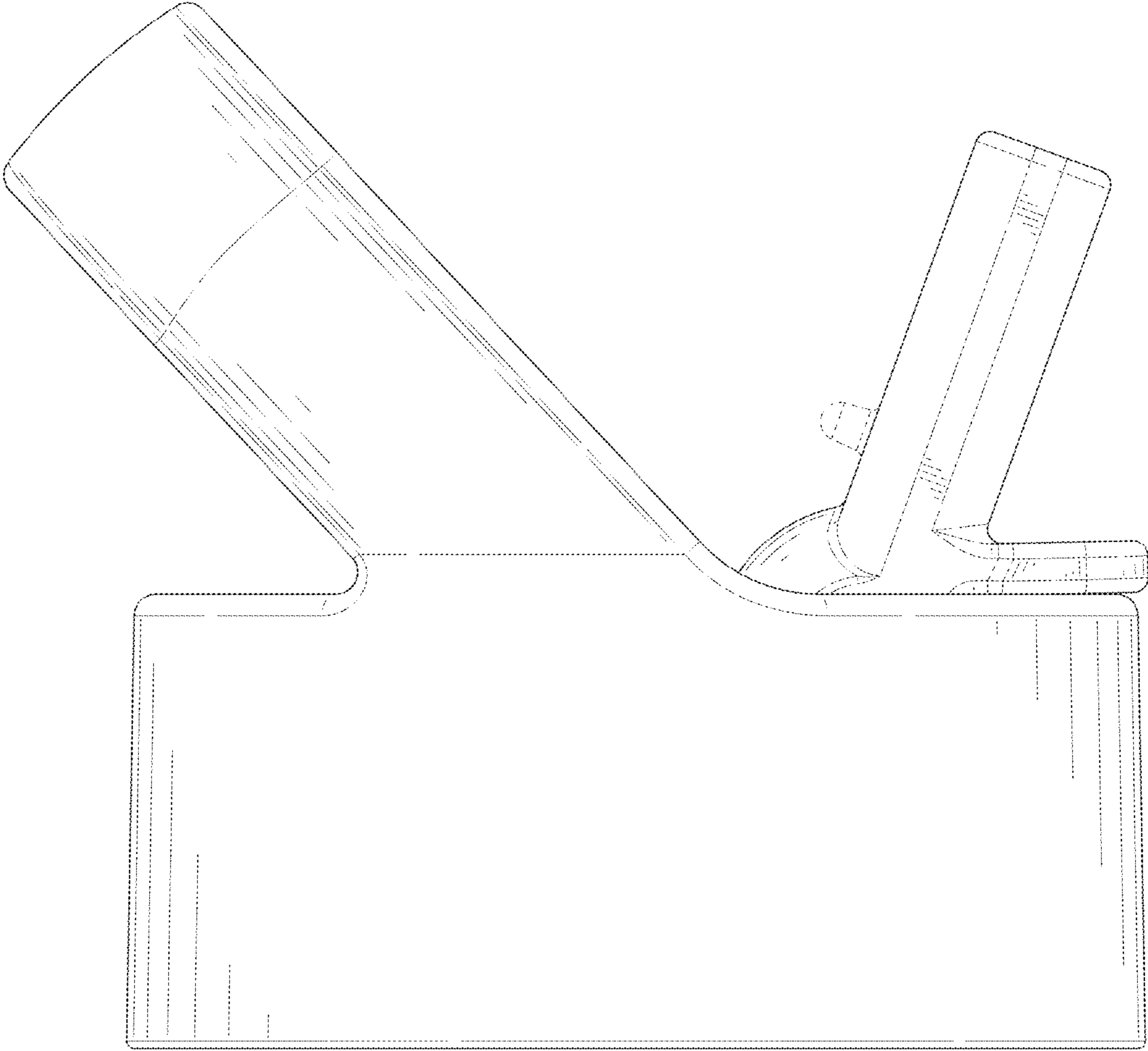


FIG. 11