



US00D977905S

(12) **United States Design Patent**
Ke

(10) **Patent No.:** **US D977,905 S**

(45) **Date of Patent:** **** Feb. 14, 2023**

(54) **CUP LID**

(71) Applicant: **Haili Ke**, Taizhou (CN)

(72) Inventor: **Haili Ke**, Taizhou (CN)

(**) Term: **15 Years**

(21) Appl. No.: **29/840,412**

(22) Filed: **May 27, 2022**

(30) **Foreign Application Priority Data**

Dec. 31, 2021 (CN) 202130881807.1

(51) **LOC (14) Cl.** **07-02**

(52) **U.S. Cl.**

USPC **D7/392.1**

(58) **Field of Classification Search**

USPC D7/312, 313, 316, 387, 388, 391, 392,
D7/392.1, 393, 396.1, 396.2, 397, 398,
D7/400; D9/434-442, 446, 447, 451,
D9/452, 453, 454

CPC B65D 47/2031; B65D 2251/0015; B65D
2251/0071; B65D 2251/20; B65D
85/8046; B65D 43/02; B65D 47/0866;
A61J 1/2096; A61J 1/2051; A61J 1/14;
A47J 31/0673; A47G 19/2272; A45F 3/16

See application file for complete search history.

(56) **References Cited**

U.S. PATENT DOCUMENTS

D608,640 S * 1/2010 Carreno D9/449
D747,136 S * 1/2016 Lane D7/396.2
D853,181 S * 7/2019 Stanton D7/392.1
D868,534 S * 12/2019 Lin D7/392.1
D881,642 S * 4/2020 Zhang D7/392.1
D896,024 S * 9/2020 Wang D9/449
D899,187 S * 10/2020 Wang D7/529
D902,648 S * 11/2020 Wang D9/449
D905,498 S * 12/2020 Zhang D7/392.1
D921,422 S * 6/2021 McCabe D9/449
D927,249 S 8/2021 Huang

D928,558 S * 8/2021 Han D7/392.1
D937,036 S * 11/2021 Shi D7/392.1
D941,086 S * 1/2022 Zhou D7/392.1
D941,629 S * 1/2022 Zhou D7/392.1
D942,212 S * 2/2022 Zhou D7/392.1
D942,808 S * 2/2022 Wang D7/392.1

(Continued)

OTHER PUBLICATIONS

Aquatix 32 oz Flip Top Lid: announced (Jul. 15, 2016; online). Site visited (Sep. 2, 2022). Available from Internet URL: <https://www.amazon.com/Redesigned-Aquatix-FlipTop-Bottle-Removable/dp/B0797DNLXJ>.*

Primary Examiner — Catherine S Posthauer

(74) *Attorney, Agent, or Firm* — ScienBiziP, P.C.

(57) **CLAIM**

The ornamental design for a cup lid, as shown and described.

DESCRIPTION

FIG. 1 is a front, right and top perspective view of a cup lid, showing my design.

FIG. 2 is a rear, left and bottom perspective view thereof.

FIG. 3 is a front elevation view thereof.

FIG. 4 is a rear elevation view thereof.

FIG. 5 is a left side elevation view thereof.

FIG. 6 is a right side elevation view thereof.

FIG. 7 is a top plan view thereof.

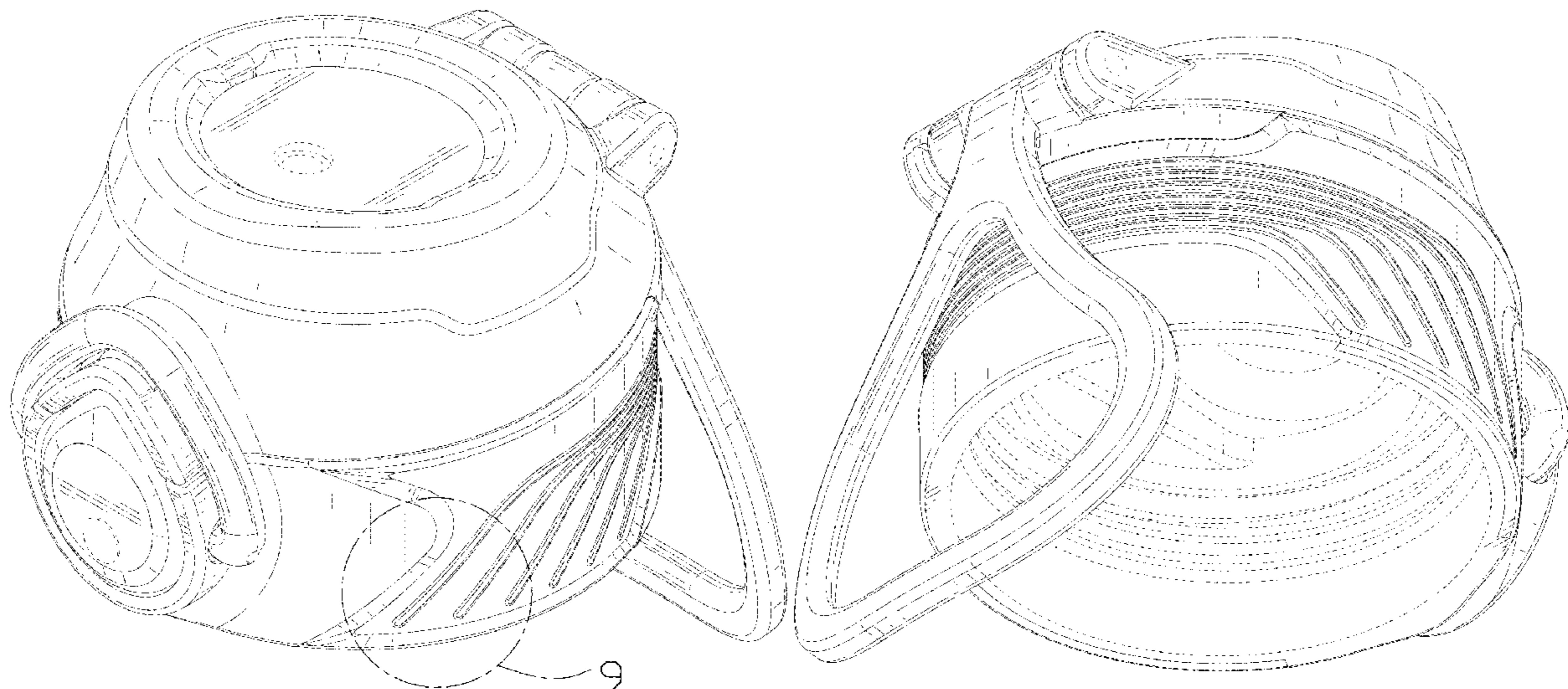
FIG. 8 is a bottom plan view thereof.

FIG. 9 is a partial enlargement view, taken from within portion 9 on FIG. 1; and,

FIG. 10 is another front, right and top perspective view of the cup lid in an open state.

The broken lines shown in the drawings are included for the purpose of illustrating portions of the cup lid that form no part of the claimed design. The dot-dash lines represent the designation of an enlargement view and form no part of the claimed design.

1 Claim, 10 Drawing Sheets



(56)

References Cited

U.S. PATENT DOCUMENTS

D947,597 S *	4/2022	Shi	D7/392.1
D948,337 S	4/2022	Wang et al.	
D951,701 S *	5/2022	Zhang	D7/392.1
D954,495 S *	6/2022	Wang	D7/392.1
D957,186 S *	7/2022	Wang	D7/392.1
D958,591 S *	7/2022	Hu	D7/392.1
2017/0253395 A1 *	9/2017	Matthis	B65D 47/0866
2017/0297785 A1 *	10/2017	Maruyama	B65D 41/04

* cited by examiner

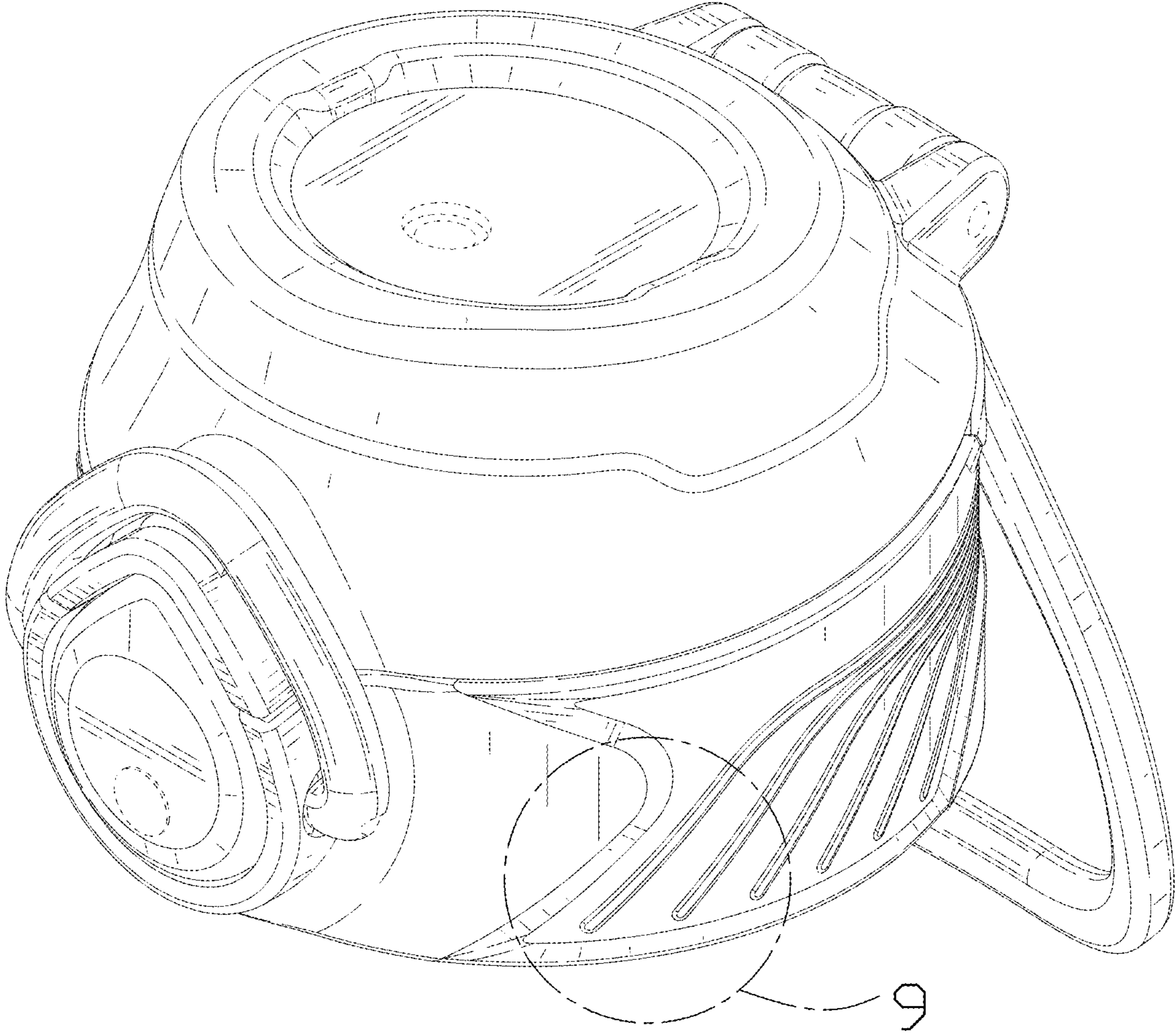


FIG. 1

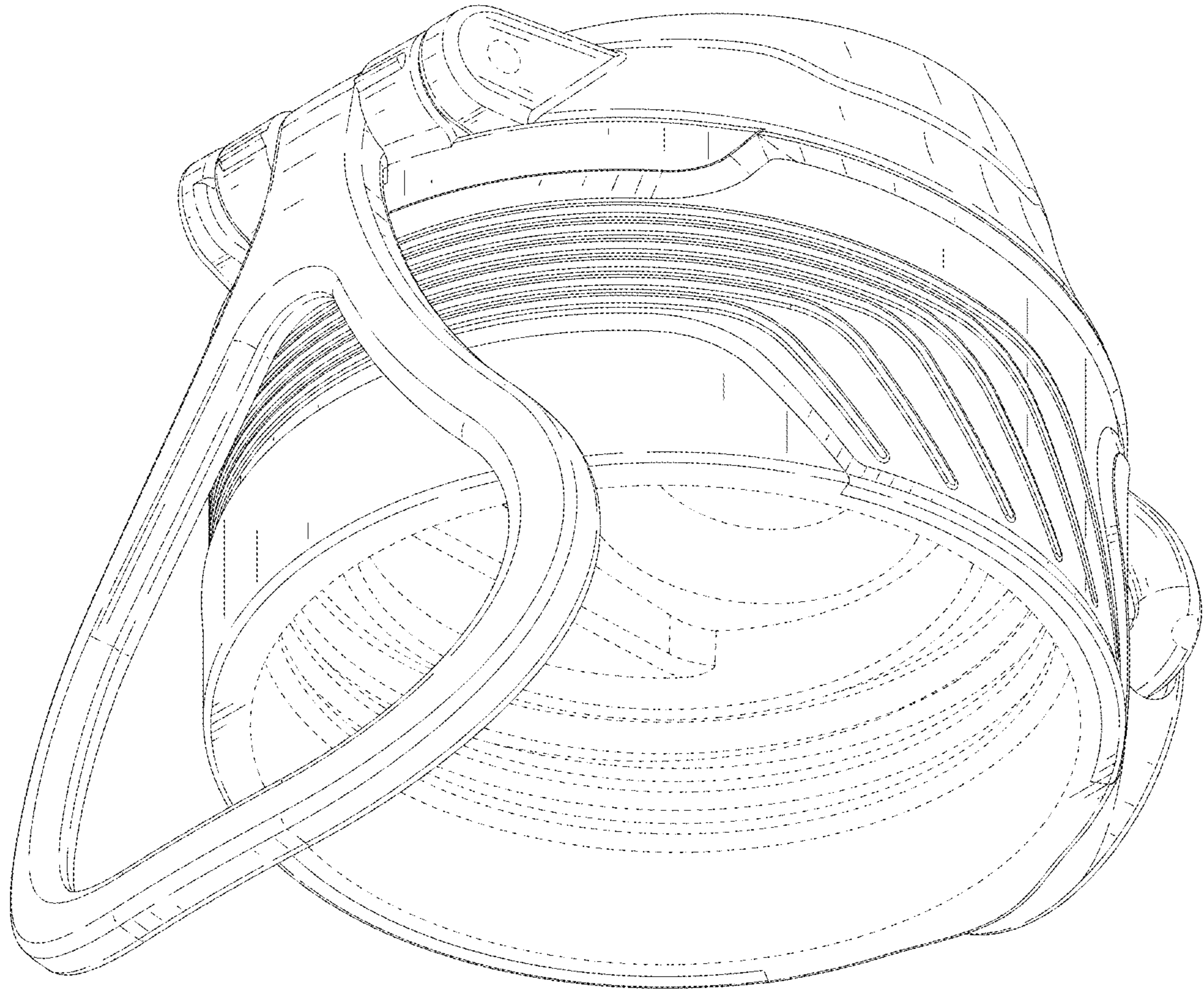


FIG. 2

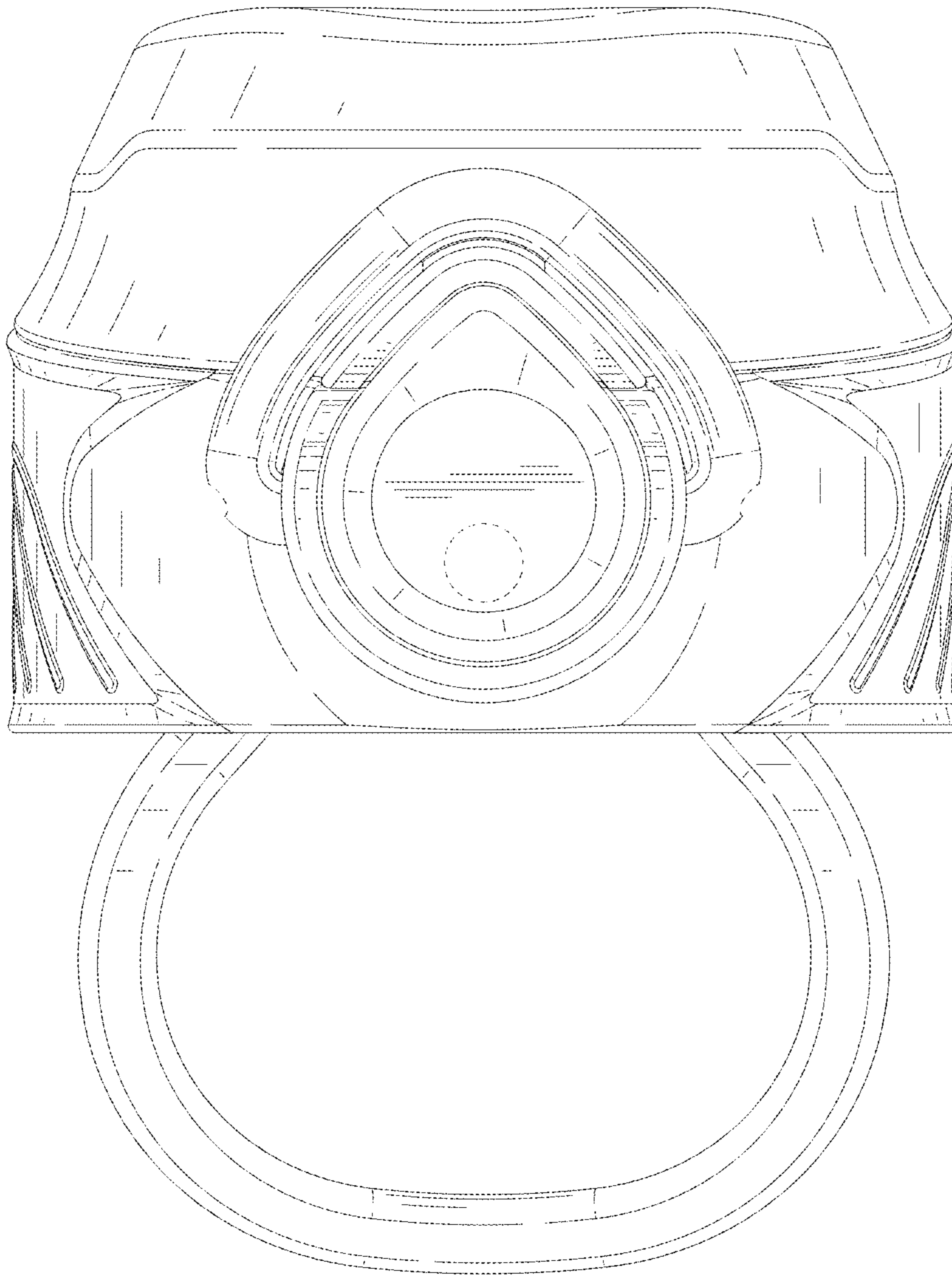


FIG. 3

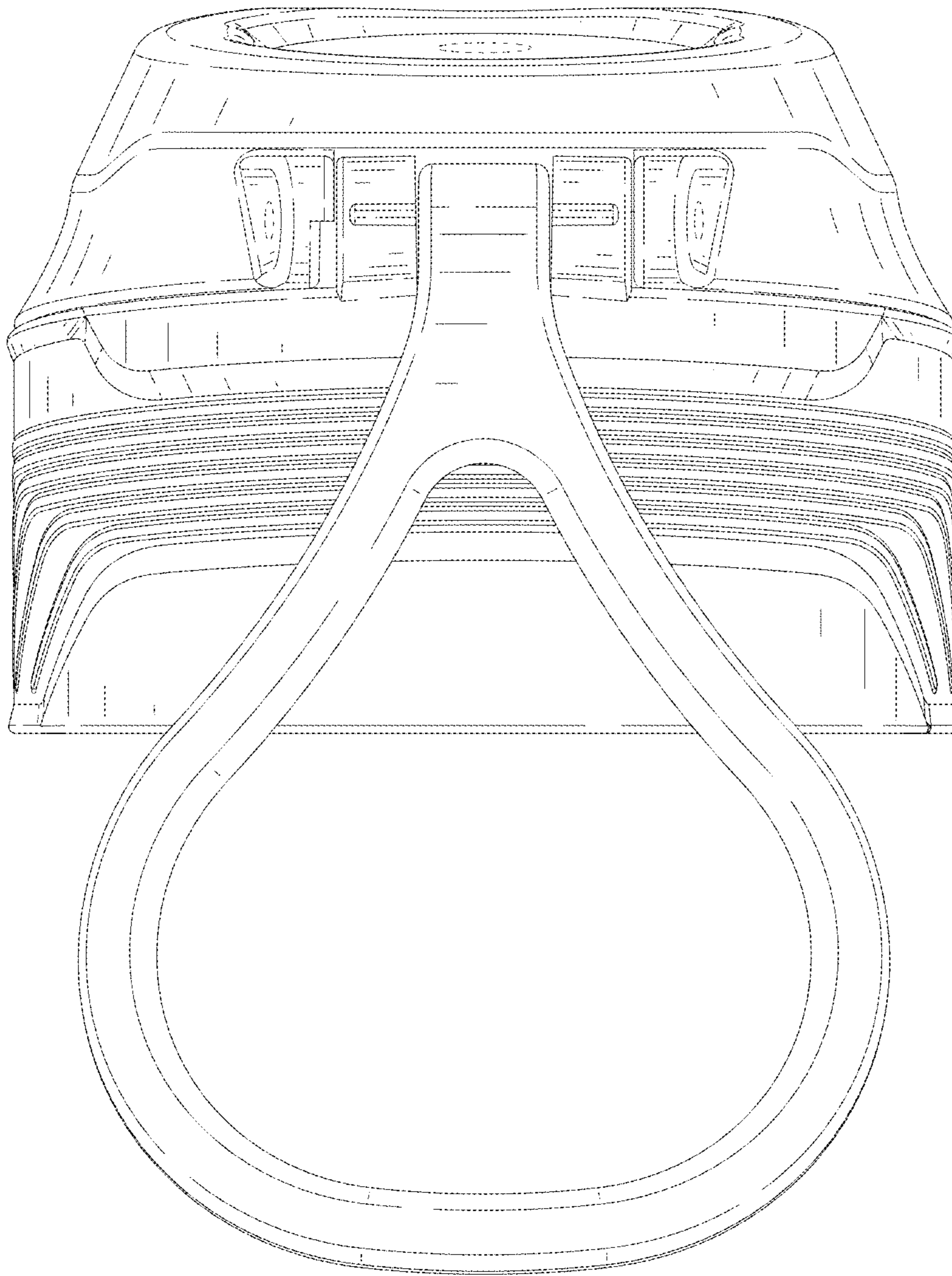


FIG. 4

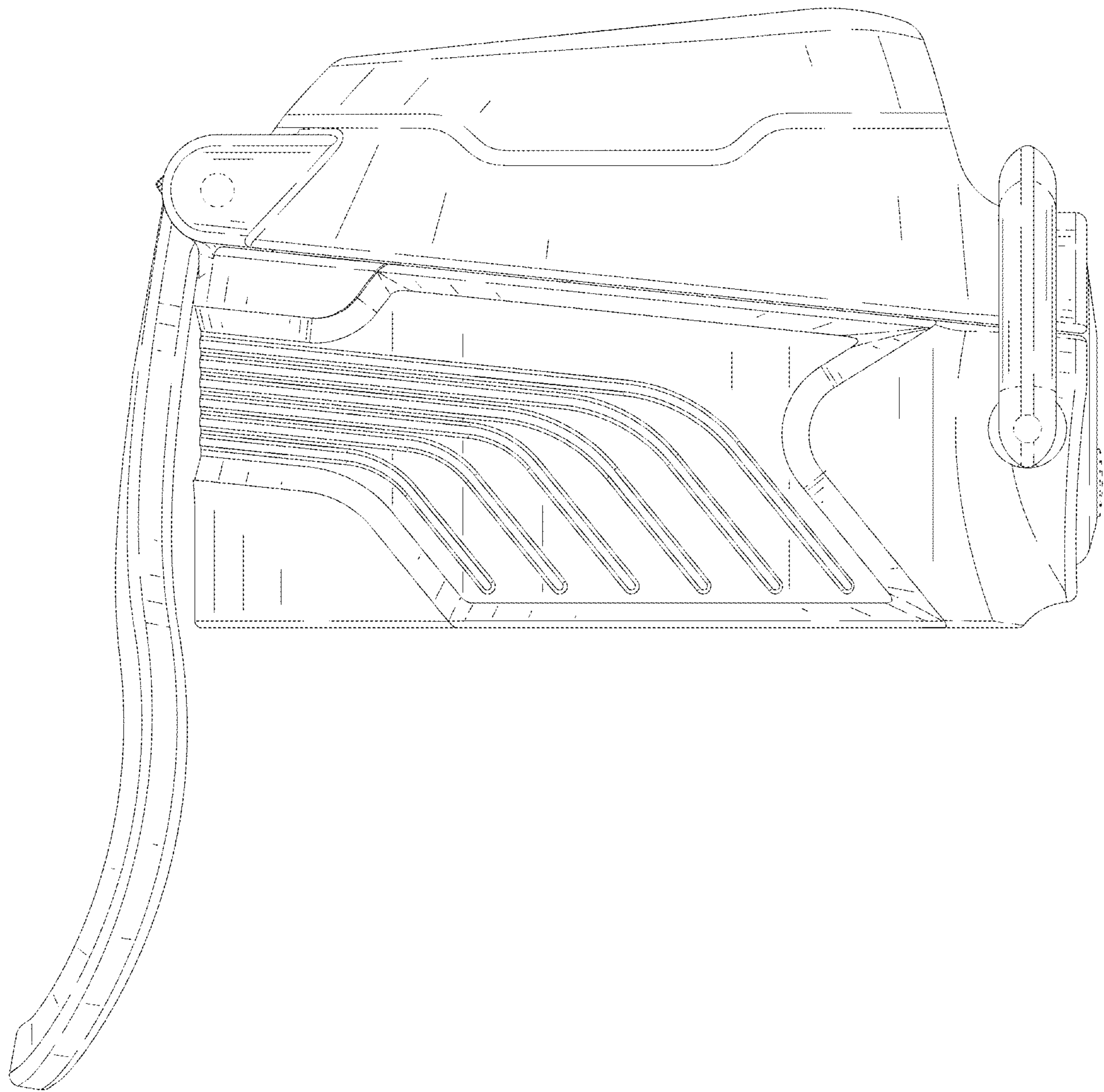


FIG. 5

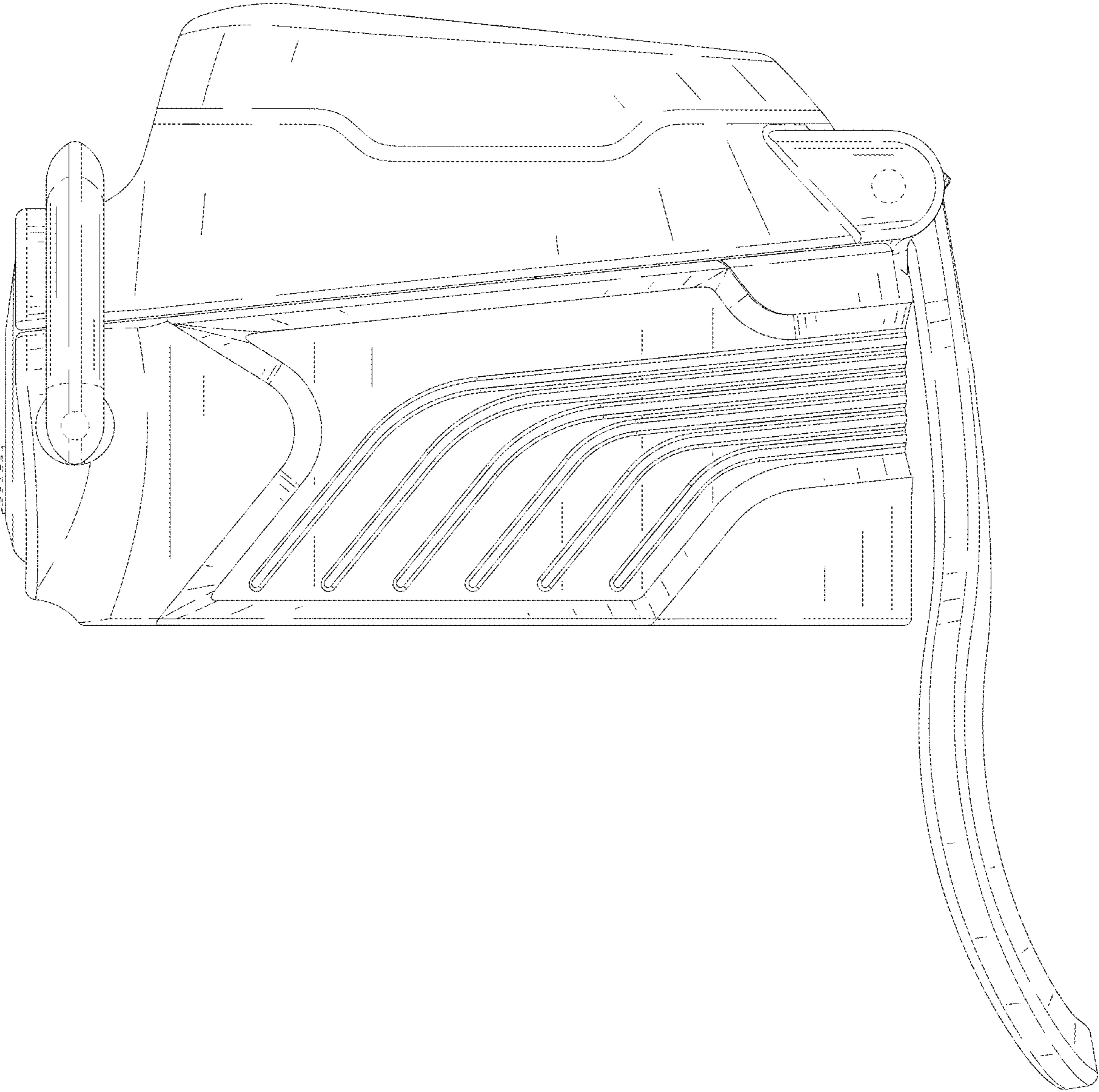


FIG. 6

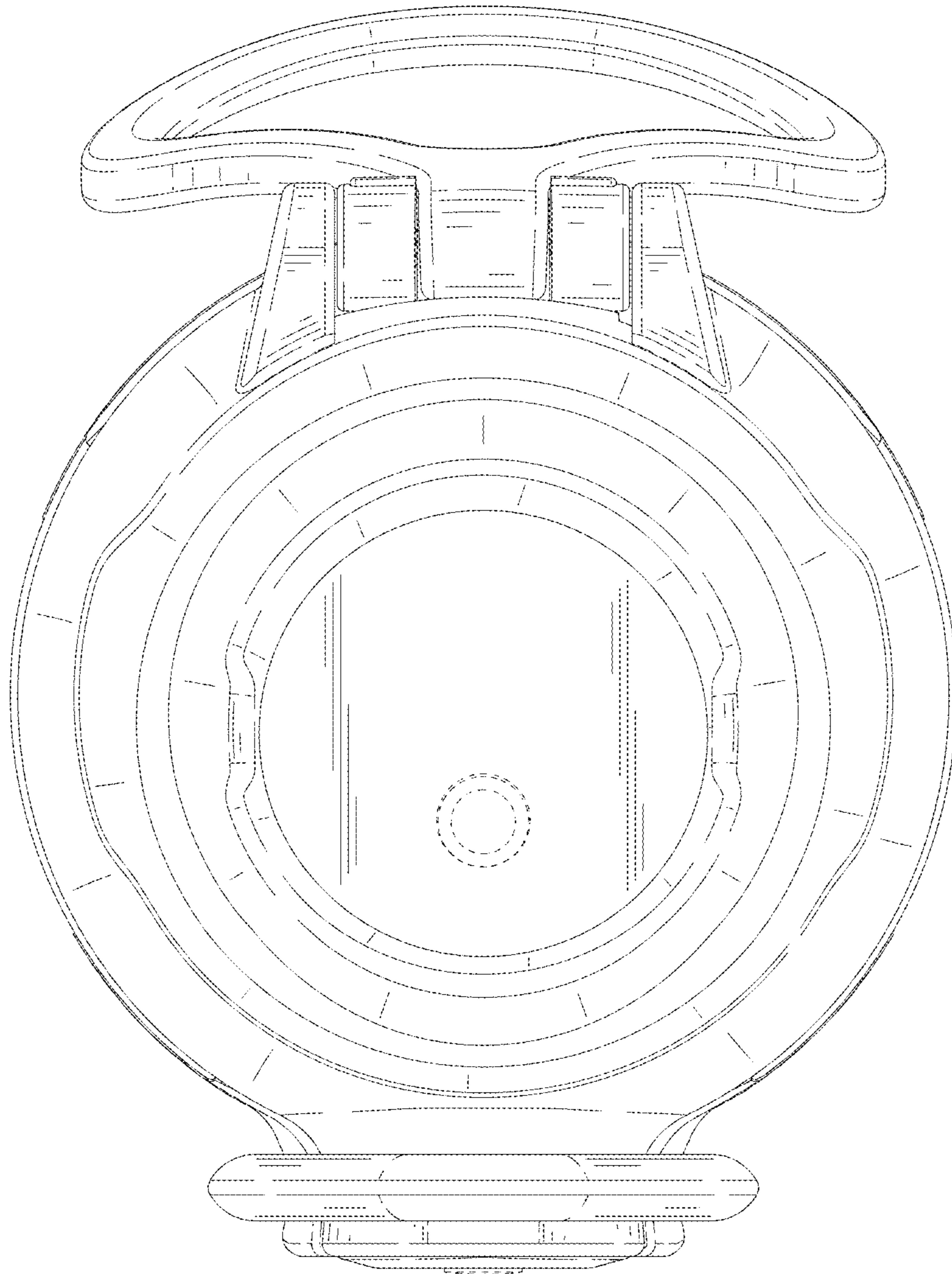


FIG. 7

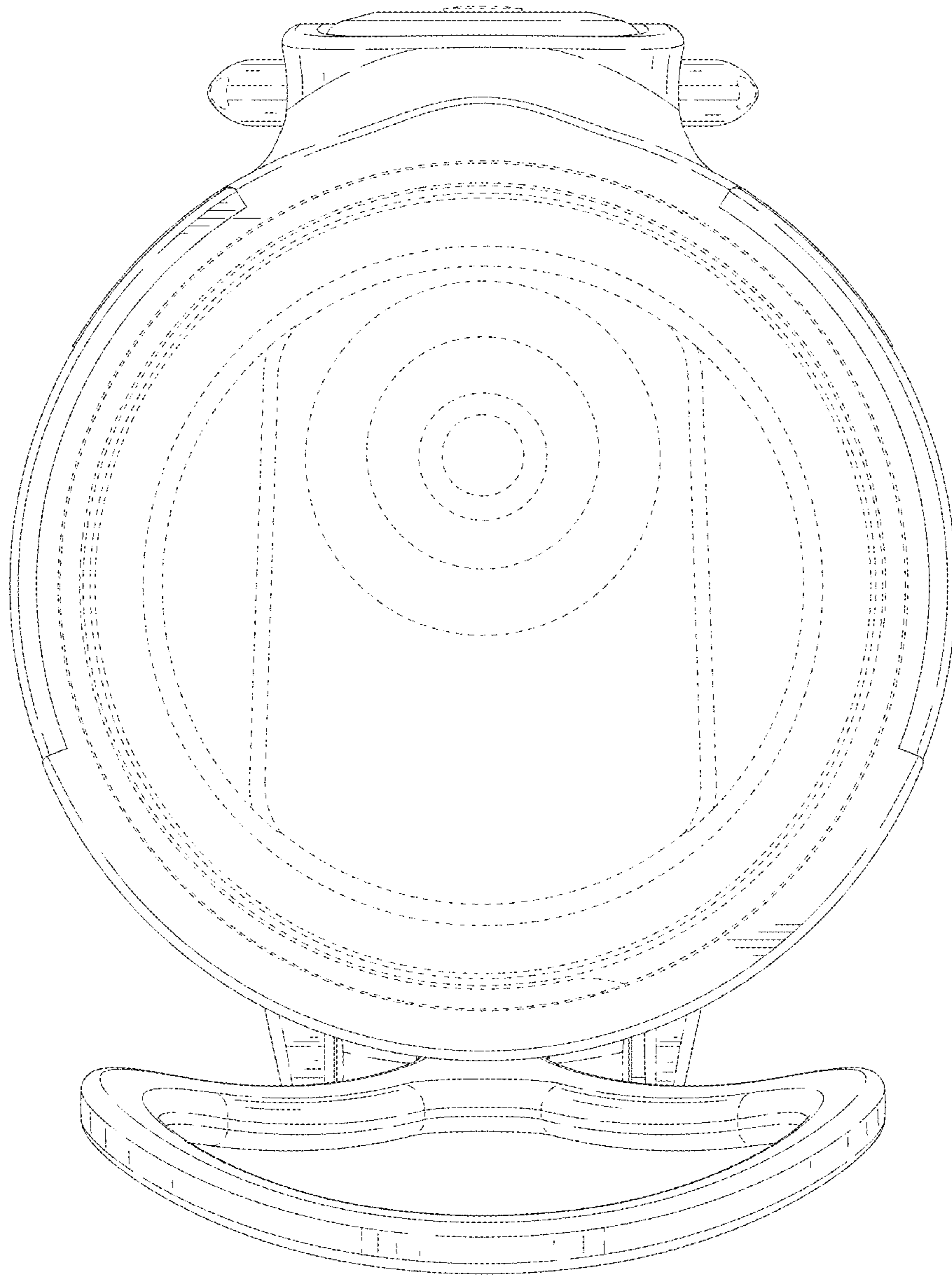


FIG. 8

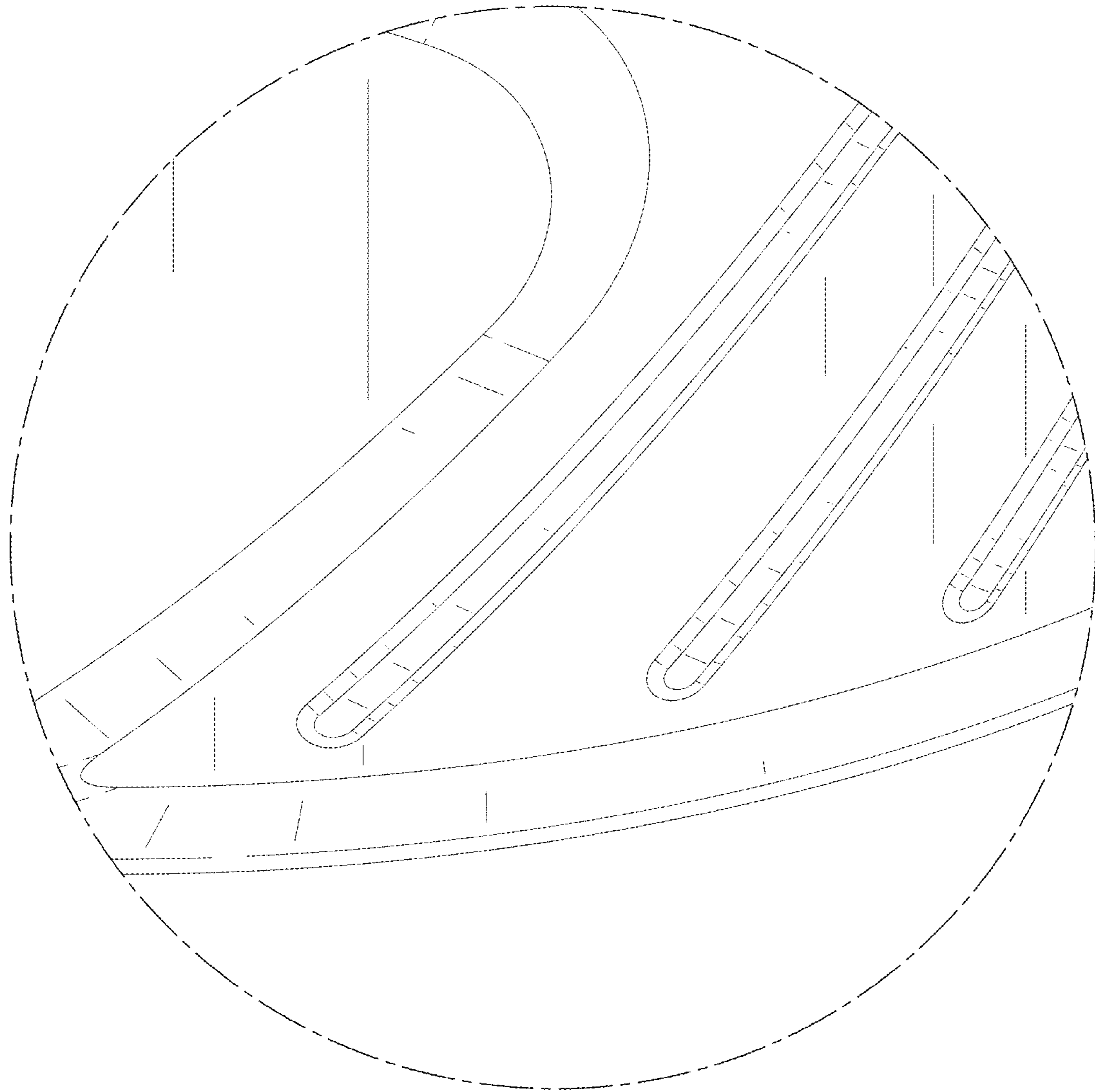


FIG. 9

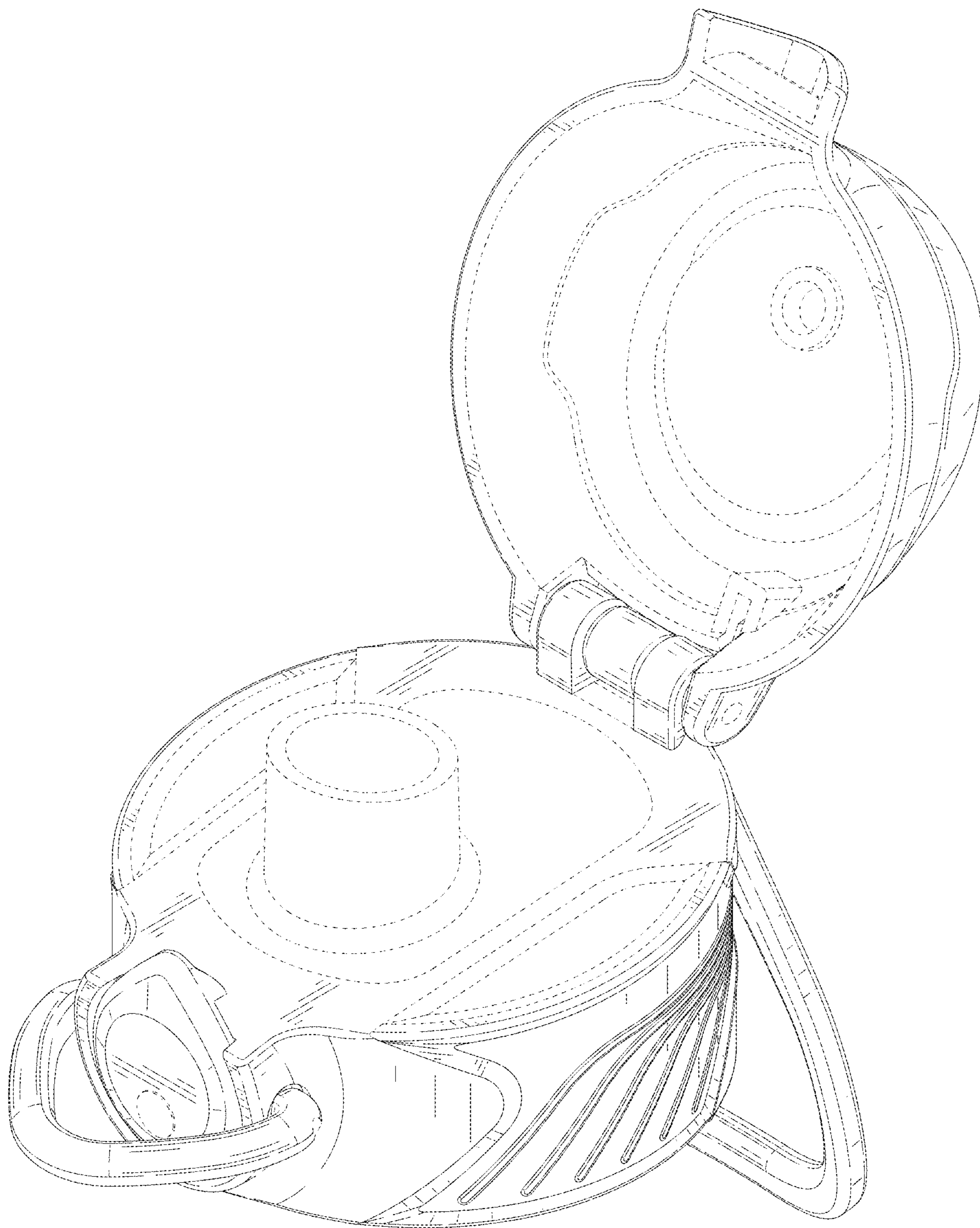


FIG. 10