



US00D977903S

(12) **United States Design Patent** (10) **Patent No.:** **US D977,903 S**
Kim et al. (45) **Date of Patent:** **** Feb. 14, 2023**

(54) **BOTTLE STRAW LID**

B65D 41/02; B65D 41/0407; B65D 4/0457; B65D 41/38; B65D 41/56; B65D

(71) Applicant: **Helen of Troy Limited**, St. Michael (BB)

(Continued)

(72) Inventors: **Sunny Kim**, Port Washington, NY (US); **Carly Cheng**, Needham, MA (US); **Martin Mutch**, New York, NY (US); **Erik Shewan**, Astoria, NY (US)

(56) **References Cited**

U.S. PATENT DOCUMENTS

D622,089 S 8/2010 Daniel et al.
D786,012 S 5/2017 Hein et al.

(Continued)

(73) Assignee: **Helen of Troy Limited**, St. Michael (BB)

FOREIGN PATENT DOCUMENTS

(**) Term: **15 Years**

EM 008781777-0001 * 12/2021
GB 6178999 * 12/2021

(21) Appl. No.: **29/786,757**

OTHER PUBLICATIONS

(22) Filed: **Jun. 2, 2021**

(51) **LOC (14) Cl.** **07-99**

(52) **U.S. Cl.**
USPC **D7/392**

(58) **Field of Classification Search**

USPC D3/202, 203, 302, 323; D7/213, 300, D7/354-363, 387, 391-393, 396-398, D7/401.1, 413, 507, 509, 510, 511, D7/538-542, 601, 602, 605, 629, 630, D7/512, 513, 396.2, 396.3, 415, 392.1, D7/400, 531, 900; D9/414, 424-429, D9/434-436, 438-441, 443-447, D9/449-454, 503-505, 523, 682, 686, D9/901, 902, 906, 499; D22/146
CPC A47G 19/027; A47G 19/12; A47G 19/127; A47G 19/2272; A47G 23/06; A45F 3/16; A47J 41/00; A47J 41/0005; A47J 41/0011; A47J 41/0016; A47J 41/0022; A47J 41/0027; A47J 41/0083; A47J 47/14; A61J 1/00; A61J 1/1412; B65D 1/00; B65D 1/02; B65D 1/12; B65D 1/22; B65D 1/265; B65D 23/08; B65D 25/34; B65D 39/00; B65D 39/0017; B65D 39/007; B65D 39/08; B65D 39/0023; B65D 39/16; B65D 41/00;

Amazon OXO Strive Standard Straw Lid, posted May 3, 2022 [online], [retrieved Oct. 11, 2022]. Retrieved on internet, <https://www.amazon.com/OXO-Strive-Standard-Straw-Lid/dp/B09ZH9ZM7Y> (Year: 2022).*

(Continued)

Primary Examiner — Nicole C Shiflet
Assistant Examiner — Yen Le Southwood
(74) *Attorney, Agent, or Firm* — Rankin, Hill & Clark LLP

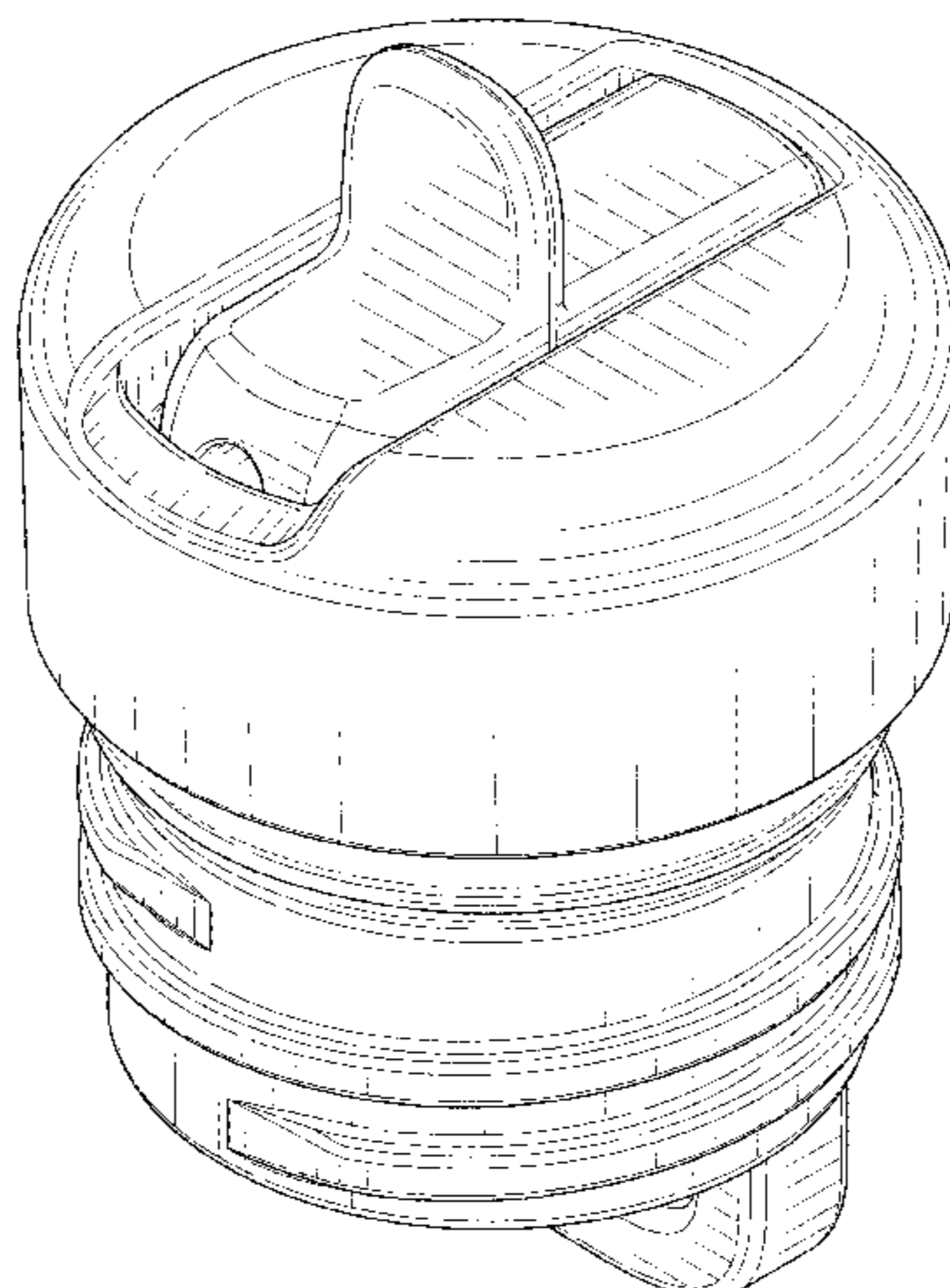
(57) **CLAIM**

The ornamental design for a bottle straw lid, as shown and described.

DESCRIPTION

FIG. 1 is a perspective view of a bottle straw lid according to our new design;
FIG. 2 is a front elevation view of FIG. 1;
FIG. 3 is a rear elevation view of FIG. 1;
FIG. 4 is a left side elevation view of FIG. 1;
FIG. 5 is a right side elevation view of FIG. 1;
FIG. 6 is a top plan view of FIG. 1; and,
FIG. 7 is a bottom plan view of FIG. 1.

(Continued)



The broken lines in the drawings depict portions of the bottle straw lid that form no part of the claimed design.

1 Claim, 7 Drawing Sheets

(58) Field of Classification Search

CPC 41/62; B65D 43/00; B65D 43/02; B65D 43/022; B65D 43/0212; B65D 43/161; B65D 43/162; B65D 43/0206; B65D 43/0249; B65D 43/0256; B65D 45/00; B65D 45/02; B65D 45/16; B65D 45/18; B65D 45/32; B65D 47/00; B65D 47/06; B65D 47/066; B65D 47/08; B65D 51/16; B65D 51/1683; B65D 51/1688; B65D 51/1694; B65D 51/244; B65D 51/28; B65D 81/2038; B65D 81/3865; B65D 83/40; B65D 83/48; B65D 2203/12; B65D 2251/00; B65D 2251/03; B65D 2251/1083; B65D 2543/00; B65D 2543/00046; B65D 2543/00055; B65D

2543/0012; B65D 2543/00592; B65D 2543/00907; B65D 2543/00925; B65D 2543/00092; B65D 2543/00296; B65D 85/812; B65D 51/24; B65D 39/0029

See application file for complete search history.

(56)

References Cited

U.S. PATENT DOCUMENTS

D815,889 S *	4/2018	Xu	D7/392.1
D897,761 S *	10/2020	Zhang	D9/450
D911,101 S *	2/2021	Fang	D9/450
D914,441 S *	3/2021	Zhang	D7/392.1
D935,265 S *	11/2021	Chen	D7/392.1
D944,053 S *	2/2022	Yao	D7/392.1

OTHER PUBLICATIONS

<https://www.hydroflask.com/wide-mouth-straw-lid> (made publicly available prior to Jun. 2, 2021).

* cited by examiner

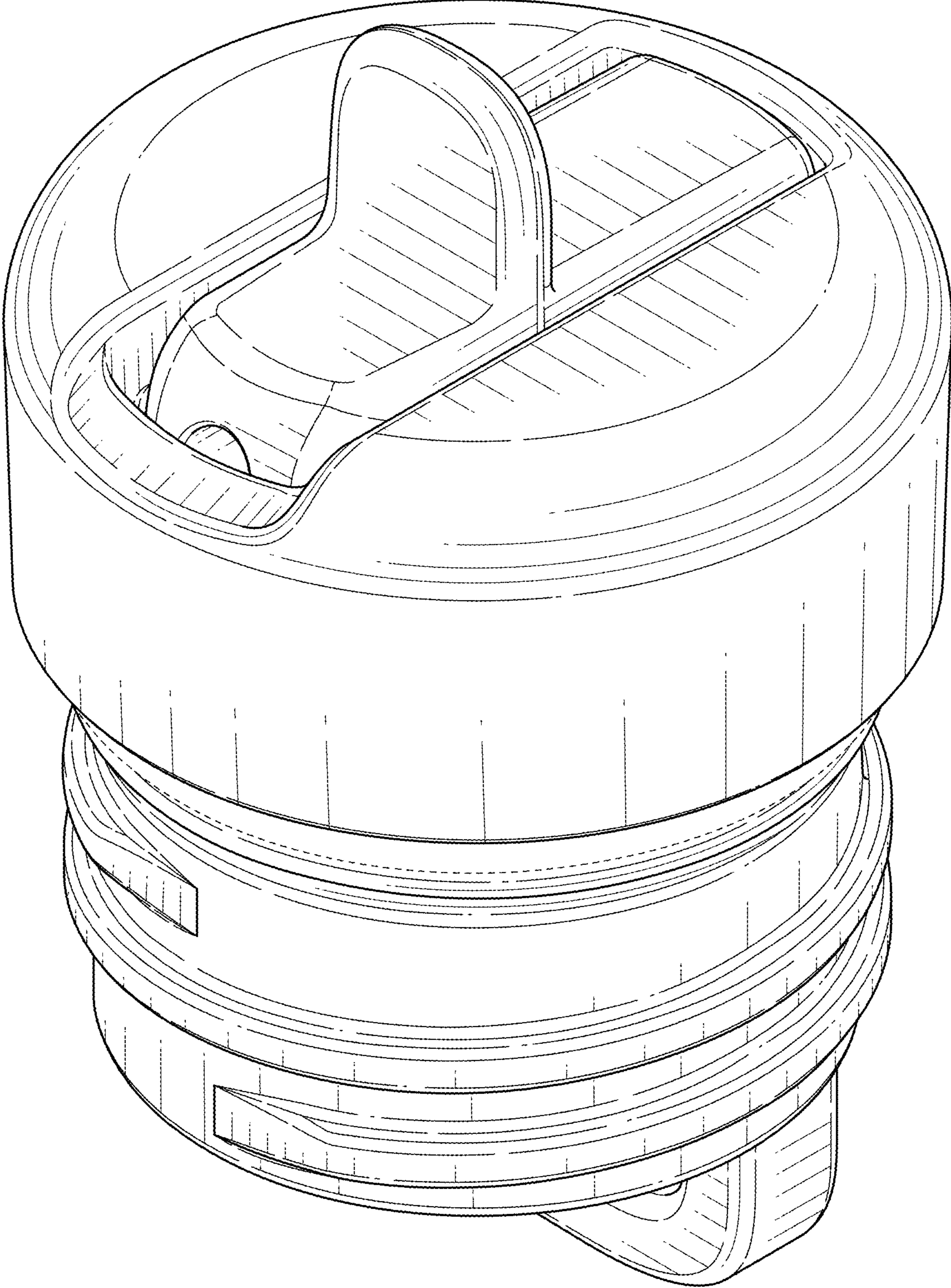


FIG. 1

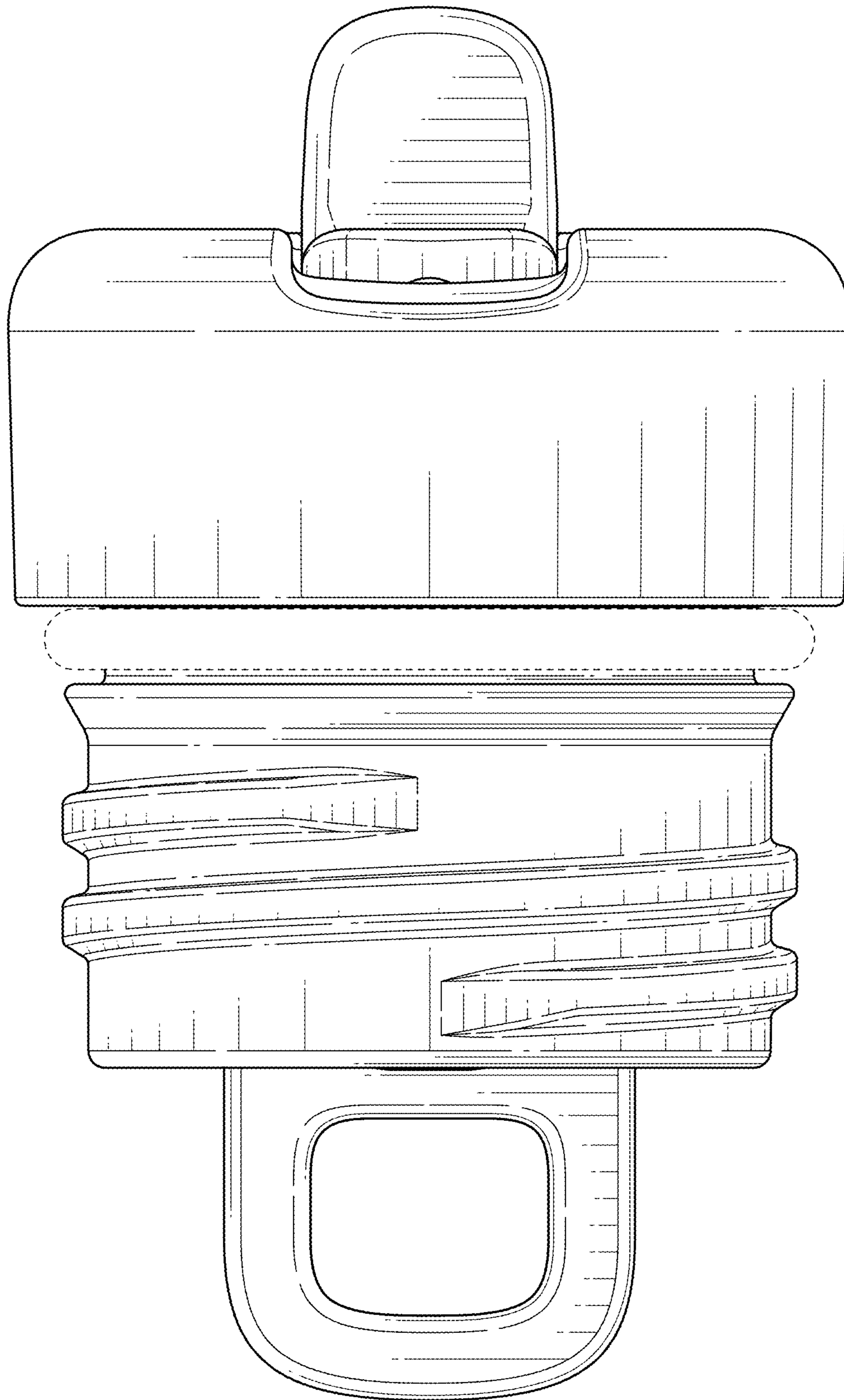


FIG. 2

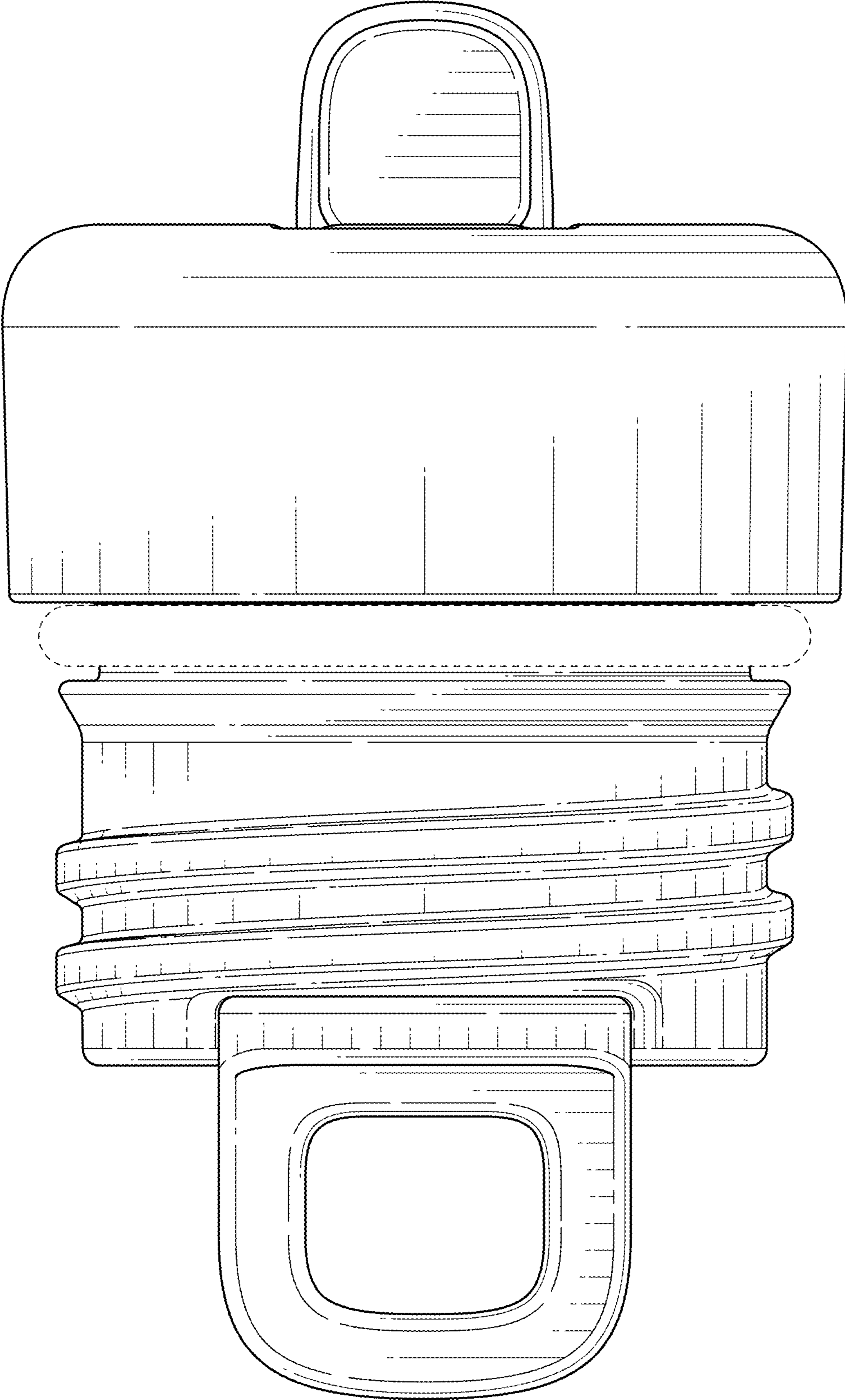


FIG. 3

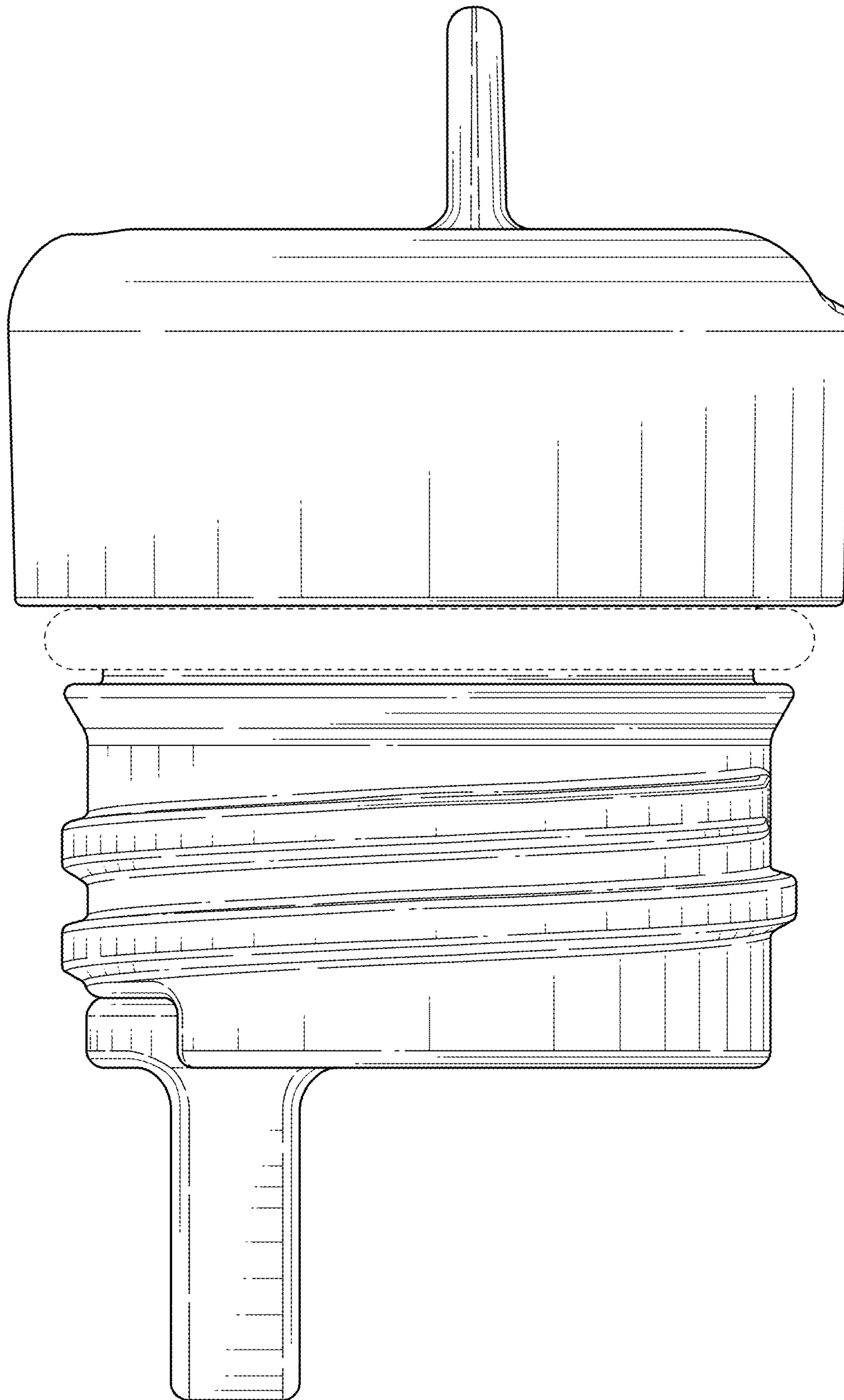


FIG. 4

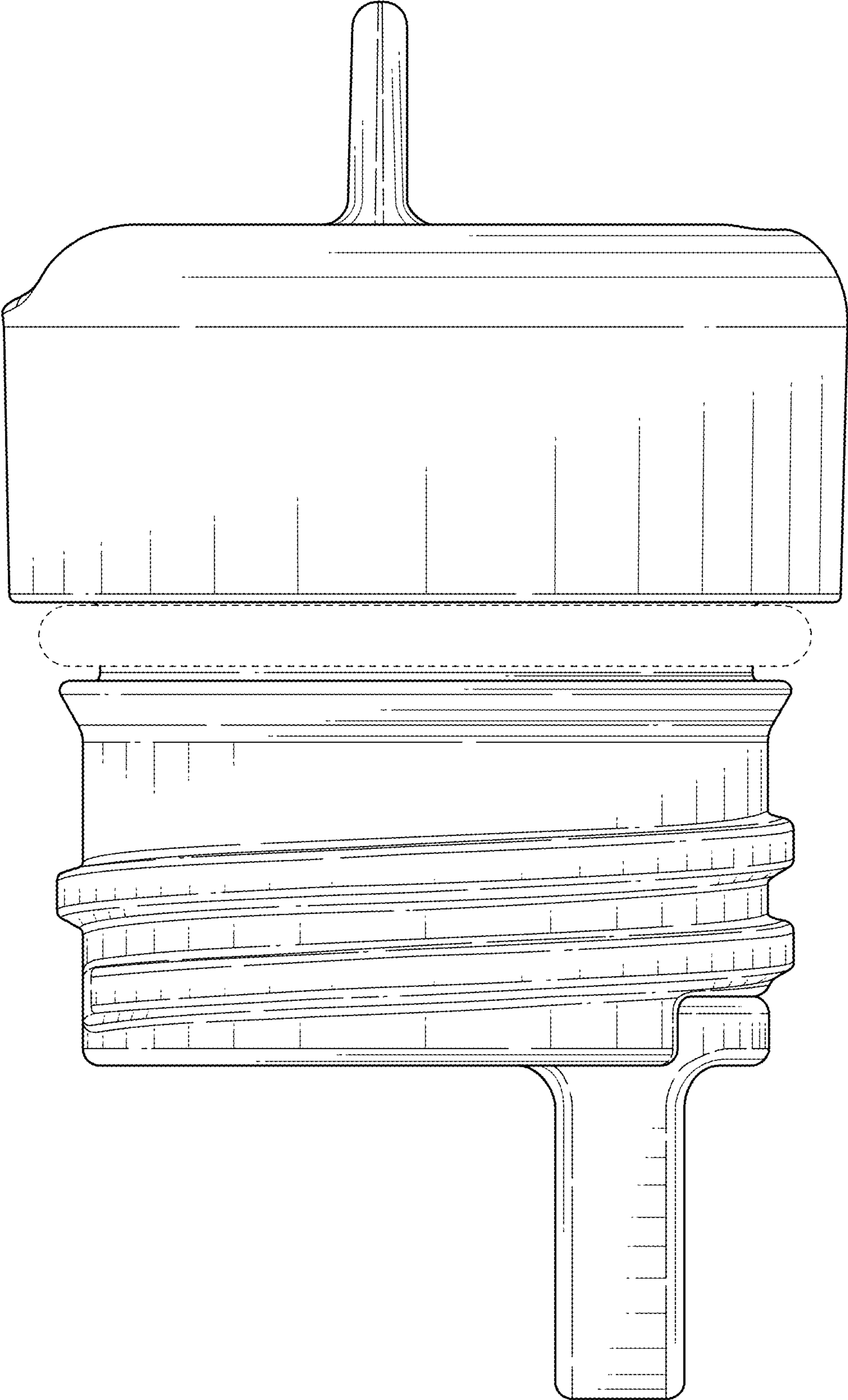


FIG. 5

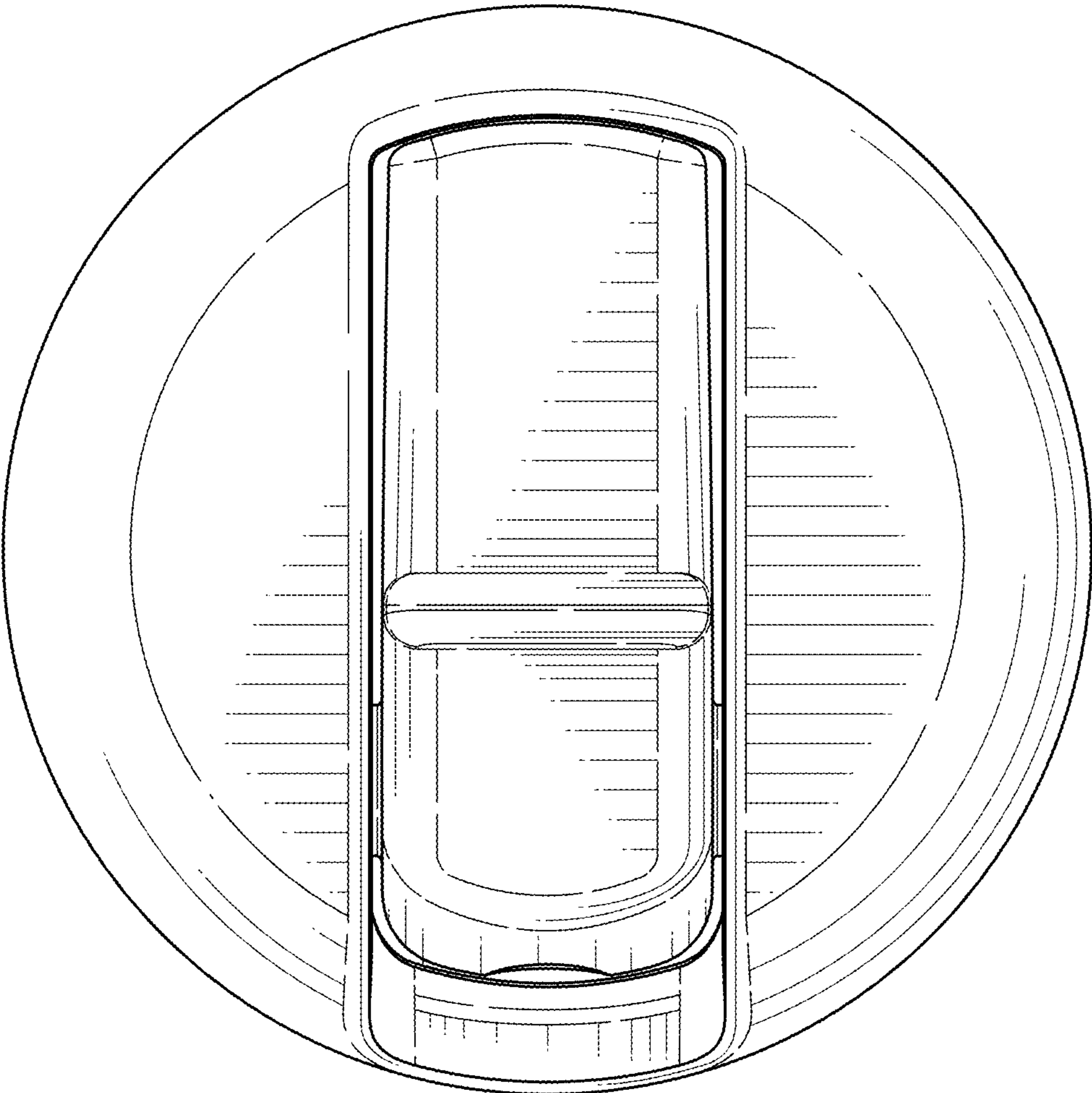


FIG. 6

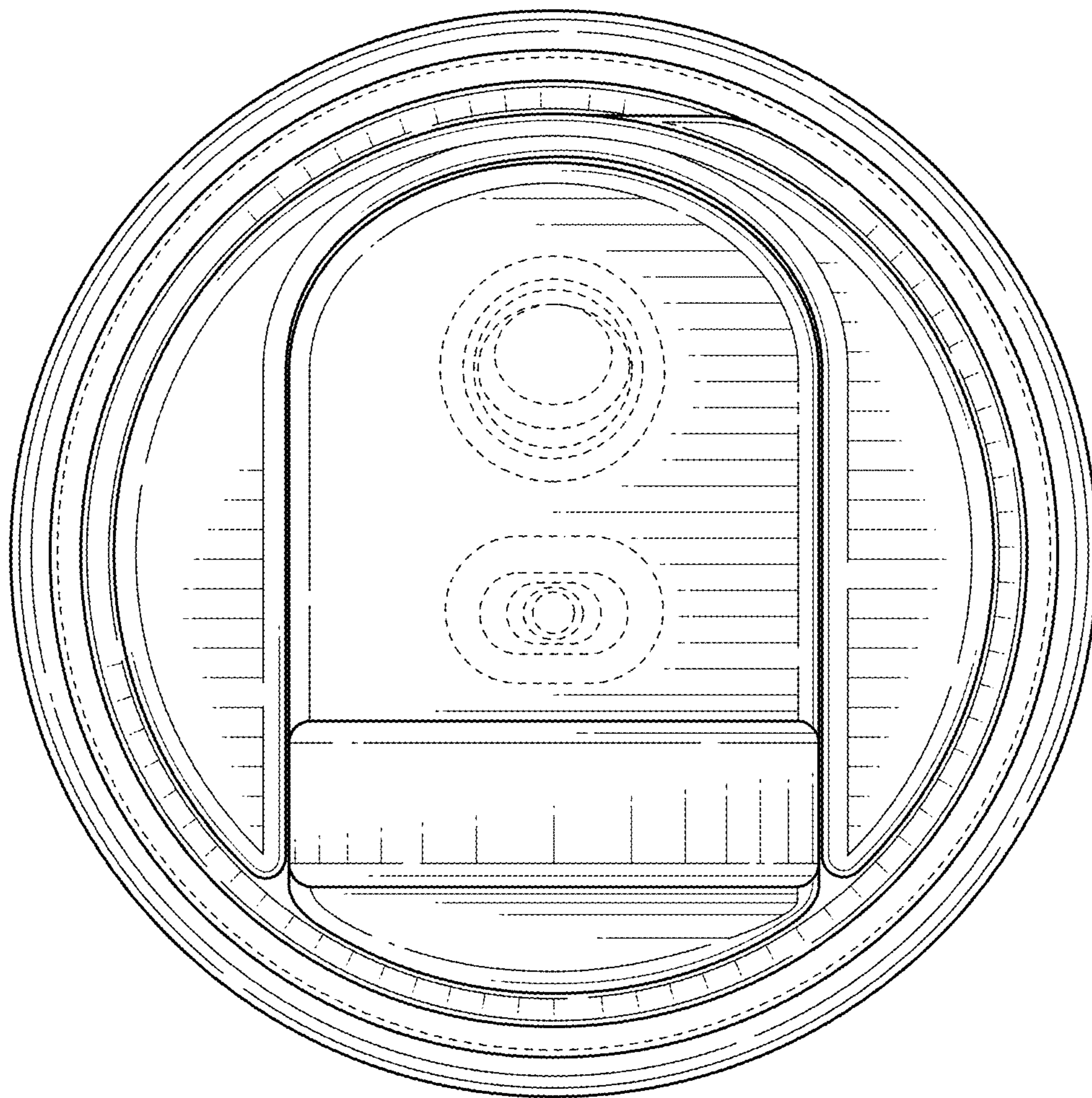


FIG. 7