



US00D977902S

(12) **United States Design Patent** (10) **Patent No.:** **US D977,902 S**
Kim et al. (45) **Date of Patent:** **** Feb. 14, 2023**

(54) **VESSEL LID** 4/0457; B65D 41/38; B65D 41/56; B65D 41/62; B65D 43/00; B65D 43/02; B65D (Continued)

(71) Applicant: **Helen of Troy Limited**, St. Michael (BB)

(72) Inventors: **Sunny Kim**, Port Washington, NY (US); **Martin Mutch**, New York, NY (US)

(73) Assignee: **Helen of Troy Limited**, St. Michael (BB)

(**) Term: **15 Years**

(21) Appl. No.: **29/782,360**

(22) Filed: **May 6, 2021**

(51) **LOC (14) Cl.** **07-99**

(52) **U.S. Cl.**
USPC **D7/392**

(58) **Field of Classification Search**
USPC D3/202, 203, 302, 323; D7/213, 300, D7/354-363, 387, 391-393, 396-398, D7/401.1, 413, 507, 509, 510, 511, D7/538-542, 601, 602, 605, 629, 630, D7/512, 513, 396.2, 396.3, 415, 392.1, D7/400, 531, 900; D9/414, 424-429, D9/434-436, 438-441, 443-447, D9/449-454, 503-505, 523, 682, 686, D9/901, 902, 906, 499; D22/146
CPC A47G 19/027; A47G 19/12; A47G 19/127; A47G 19/2272; A47G 23/06; A45F 3/16; A47J 41/00; A47J 41/0005; A47J 41/0011; A47J 41/0016; A47J 41/0022; A47J 41/0027; A47J 41/0083; A47J 47/14; A61J 1/00; A61J 1/1412; B65D 1/00; B65D 1/02; B65D 1/12; B65D 1/22; B65D 1/265; B65D 23/08; B65D 25/34; B65D 39/00; B65D 39/0017; B65D 39/007; B65D 39/08; B65D 39/0023; B65D 39/16; B65D 41/00; B65D 41/02; B65D 41/0407; B65D

(56) **References Cited**

U.S. PATENT DOCUMENTS

D472,425 S * 4/2003 Hurlbut D7/533
D480,267 S * 10/2003 Freed D7/510
(Continued)

FOREIGN PATENT DOCUMENTS

EM 008740807-0001 * 11/2021
EM 008740807-0002 * 11/2021
GB 6174154 * 11/2021

OTHER PUBLICATIONS

OXO Good Grips, posted Sep. 1, 2021 [online], [retrieved Oct. 11, 2022]. Retrieved on internet, <https://www.amazon.com/OXO-Thermal-Mug-SimplyClean-Lid/dp/B09F74LG2F?th=1> (Year: 2021).*

Primary Examiner — Nicole C Shiflet
Assistant Examiner — Yen Le Southwood
(74) *Attorney, Agent, or Firm* — Rankin, Hill & Clark LLP

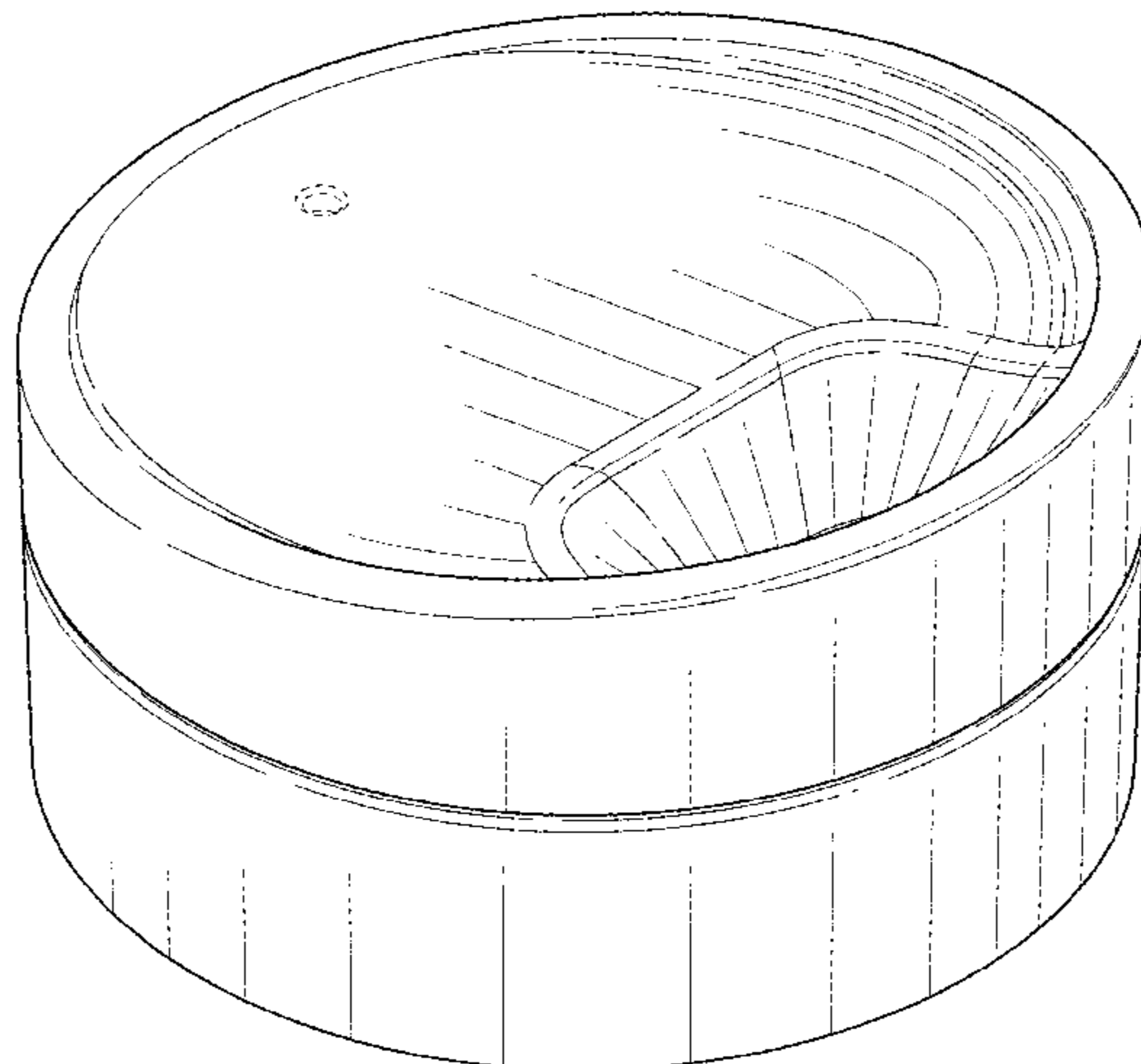
(57) **CLAIM**

The ornamental design for a vessel lid, as shown and described.

DESCRIPTION

FIG. 1 is a front, left perspective view of a vessel lid showing our new design;
FIG. 2 is a left side elevation view thereof;
FIG. 3 is a right side elevation view thereof;
FIG. 4 is a rear elevation view thereof;
FIG. 5 is a front elevation view thereof;
FIG. 6 is a top plan view thereof;
FIG. 7 is a bottom plan view thereof; and,
FIG. 8 is a rear, right perspective view of FIG. 1.

(Continued)



The broken lines in the drawings depict portions of the vessel lid that form no part of the claimed design.

1 Claim, 5 Drawing Sheets

(58) Field of Classification Search

CPC 43/022; B65D 43/0212; B65D 43/161;
B65D 43/162; B65D 43/0206; B65D
43/0249; B65D 43/0256; B65D 45/00;
B65D 45/02; B65D 45/16; B65D 45/18;
B65D 45/32; B65D 47/00; B65D 47/06;
B65D 47/066; B65D 47/08; B65D 51/16;
B65D 51/1683; B65D 51/1688; B65D
51/1694; B65D 51/244; B65D 51/28;
B65D 81/2038; B65D 81/3865; B65D
83/40; B65D 83/48; B65D 2203/12;
B65D 2251/00; B65D 2251/03; B65D
2251/1083; B65D 2543/00; B65D

(56)

2543/00046; B65D 2543/00055; B65D
2543/0012; B65D 2543/00592; B65D
2543/00907; B65D 2543/00925; B65D
2543/00092; B65D 2543/00296; B65D
85/812; B65D 51/24; B65D 39/0029

See application file for complete search history.

References Cited

U.S. PATENT DOCUMENTS

D759,416	S	*	6/2016	Kim	D7/510
D789,737	S	*	6/2017	Eyal	D7/300.1
D803,619	S	*	11/2017	Seiders	D7/392.1
D818,312	S	*	5/2018	Burns	D9/449
D823,062	S	*	7/2018	Goodwin	D7/511
D875,466	S		2/2020	Diener		
D886,514	S	*	6/2020	Kander	D7/392.1
D907,433	S	*	1/2021	Meyers	D7/392.1
2019/0352059	A1		11/2019	Mutch		

* cited by examiner

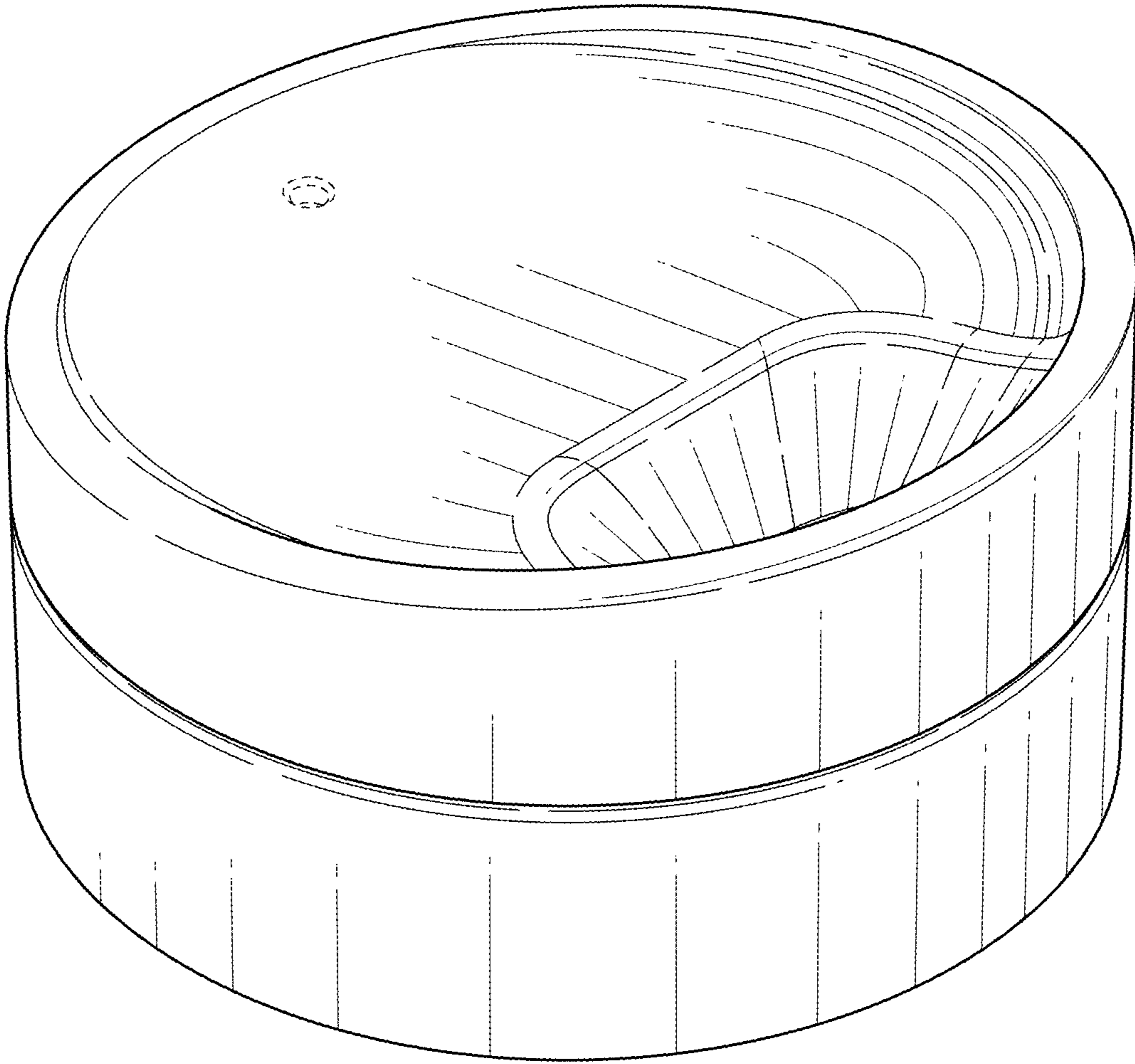


FIG. 1

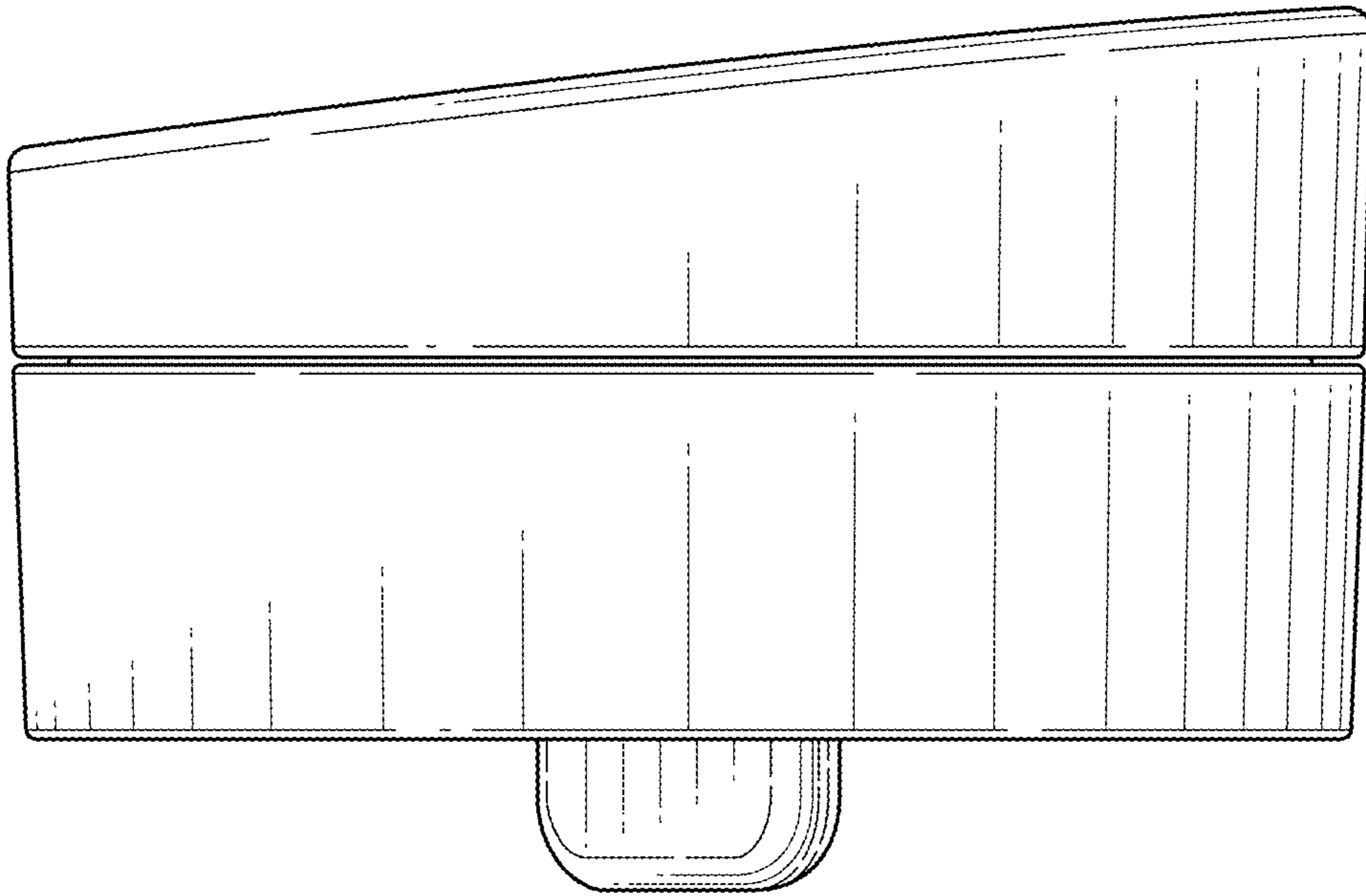


FIG. 2

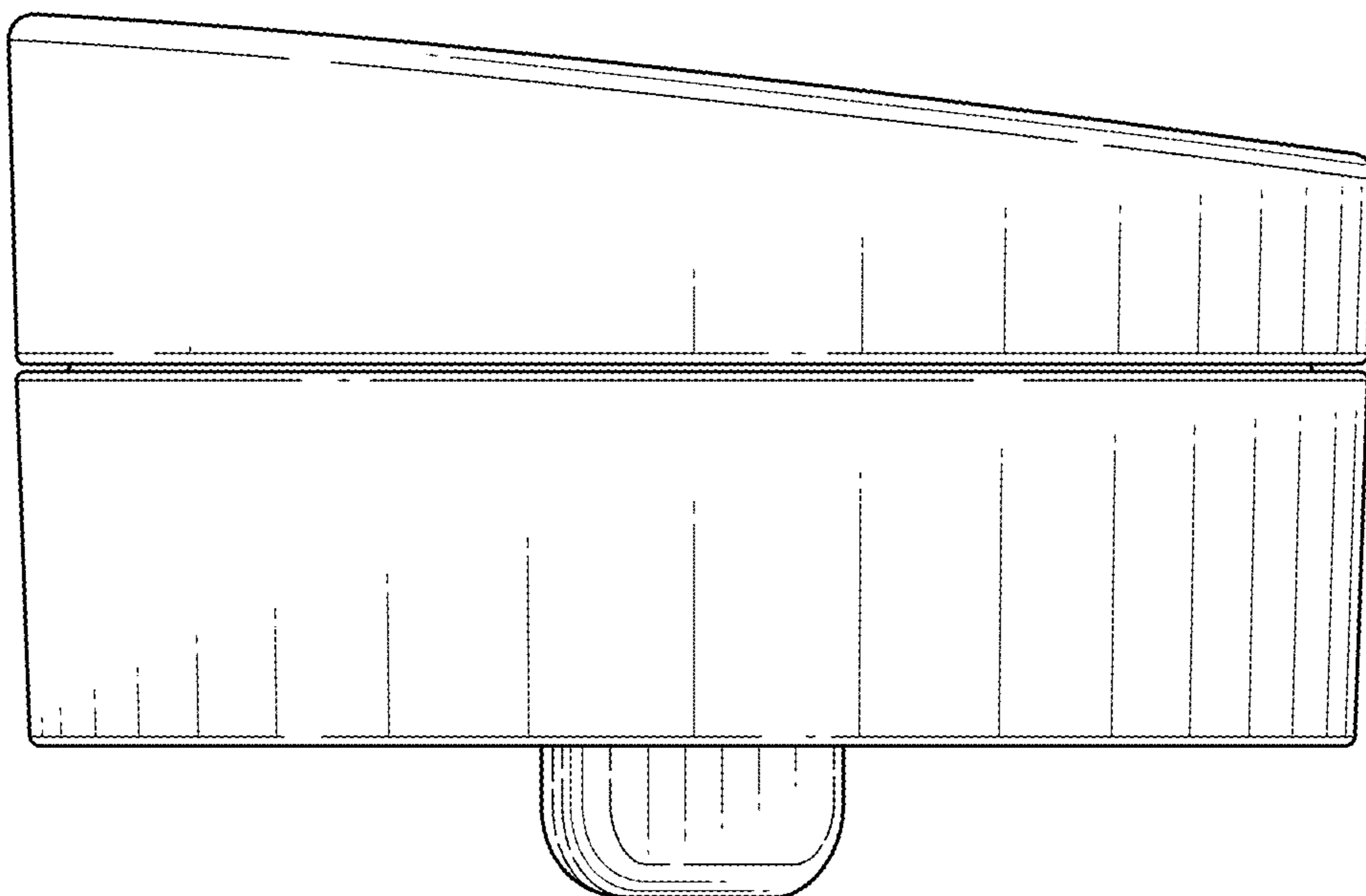


FIG. 3

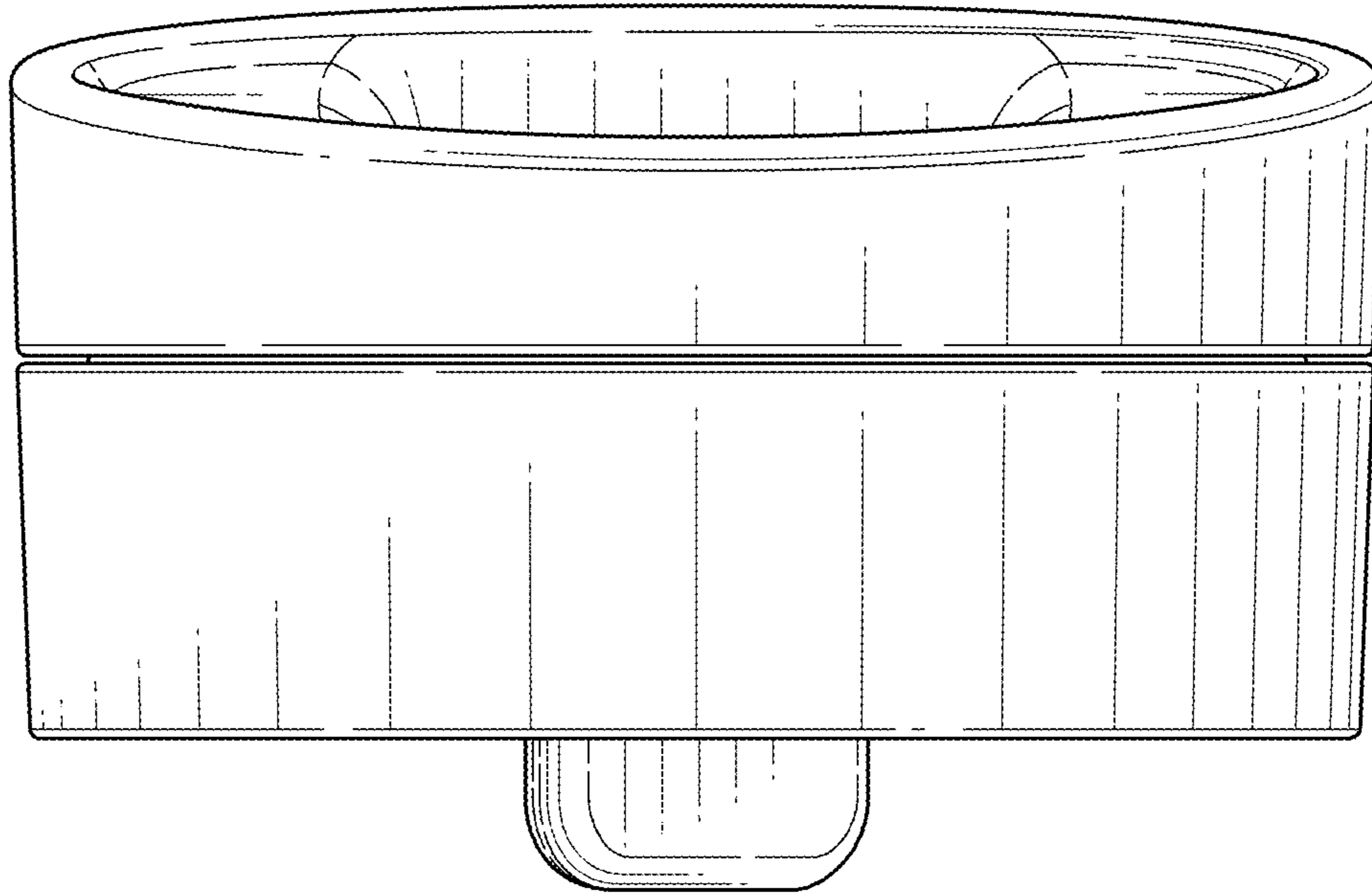


FIG. 4

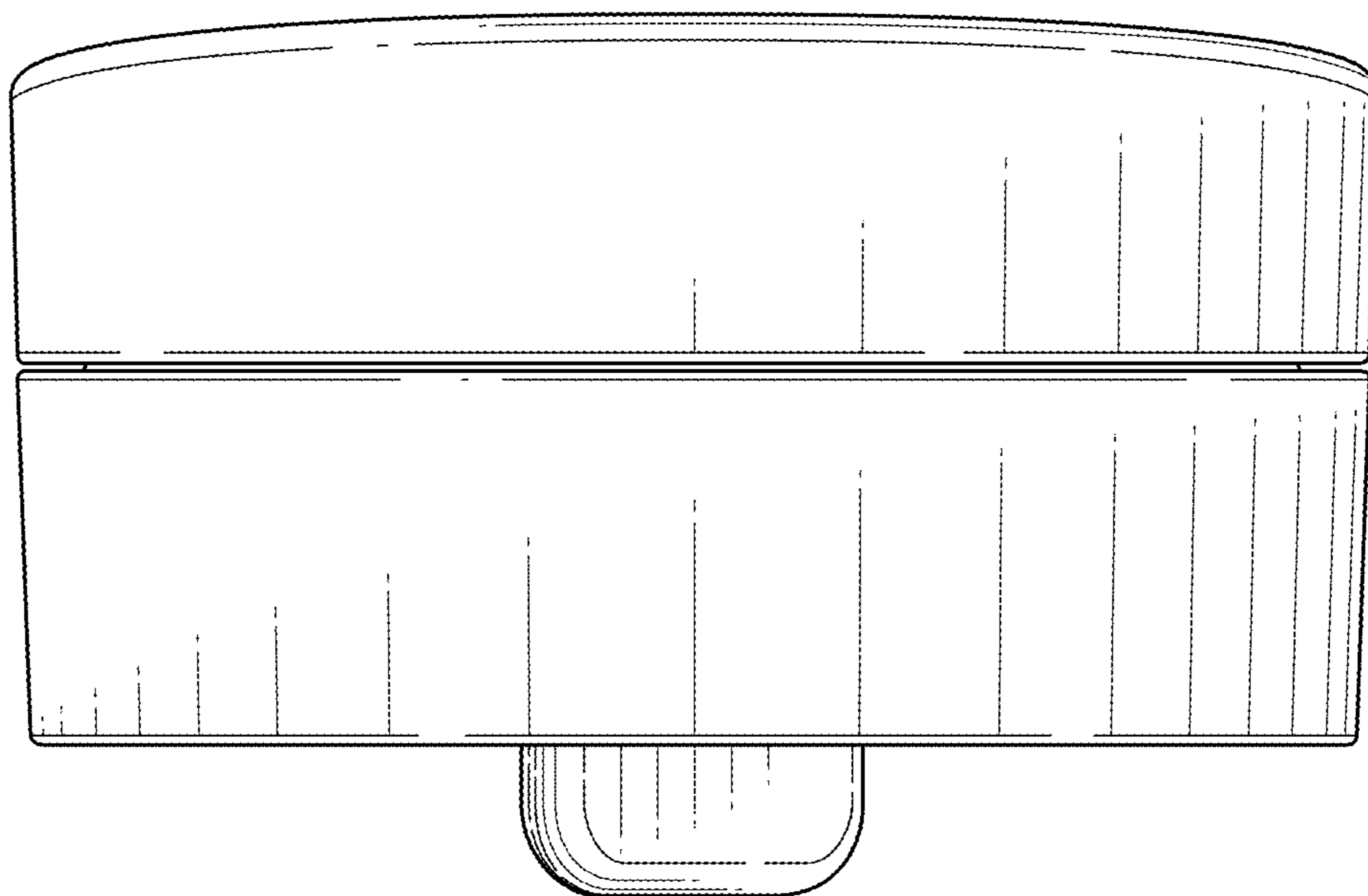


FIG. 5

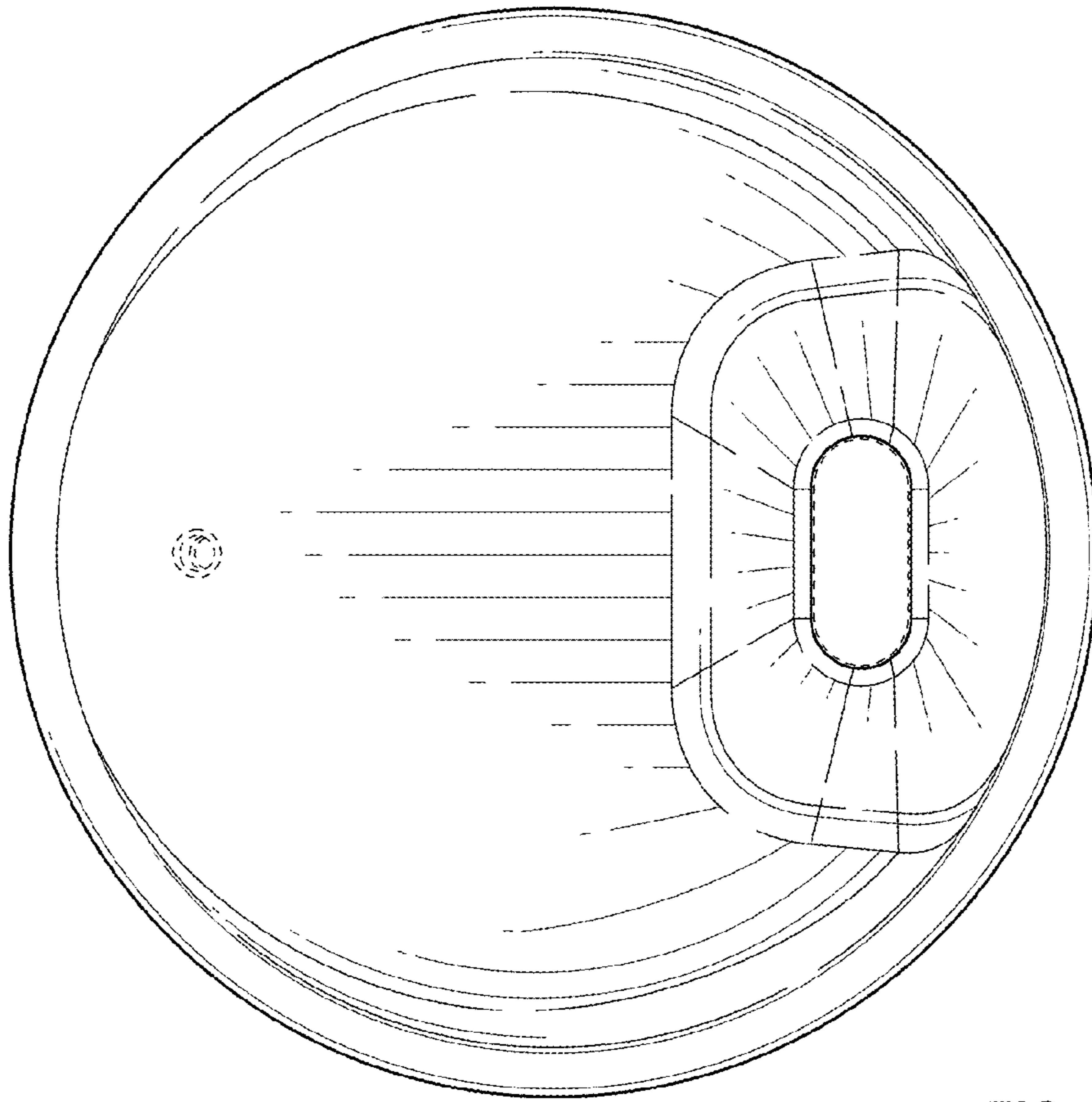


FIG. 6

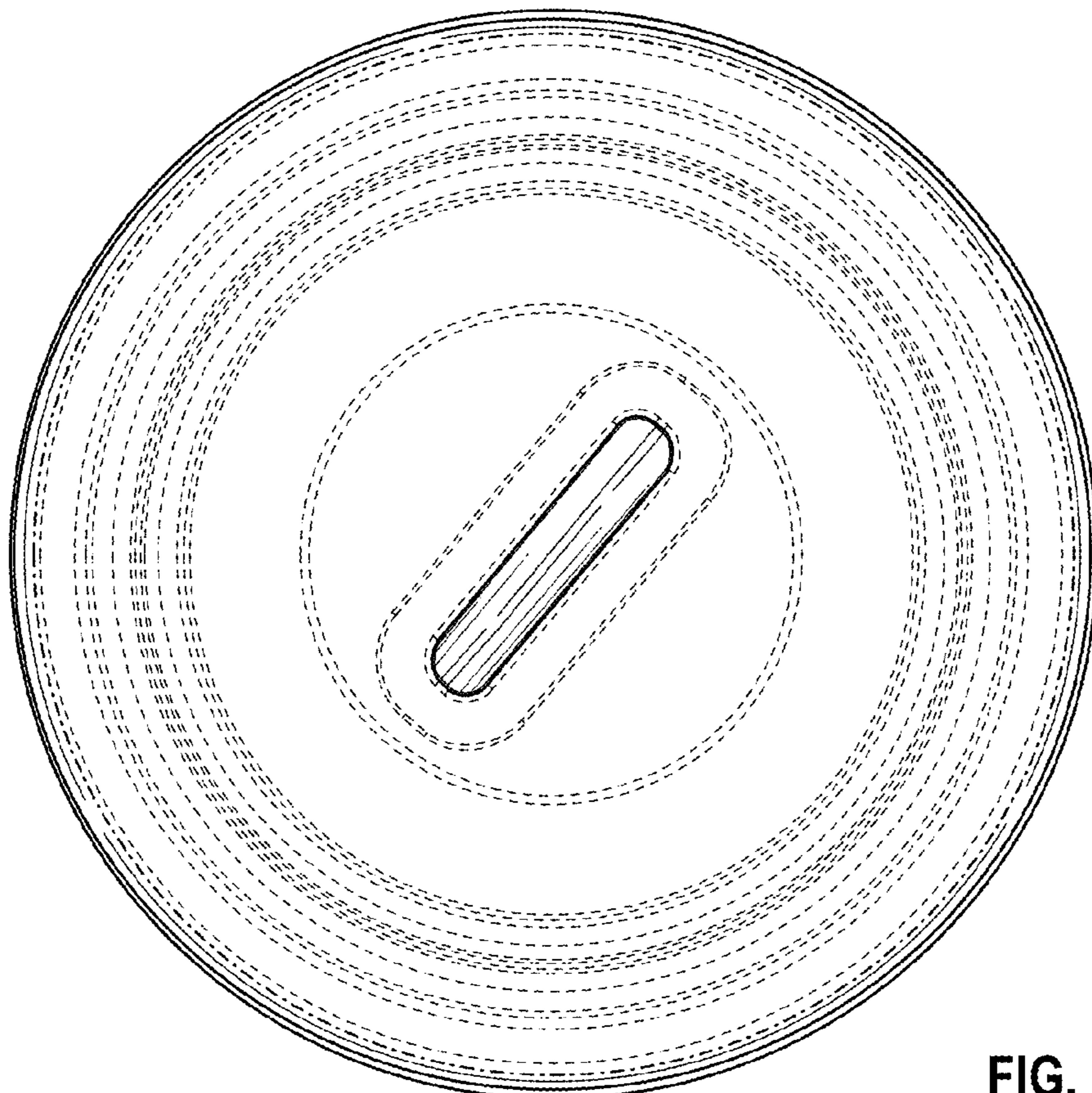


FIG. 7

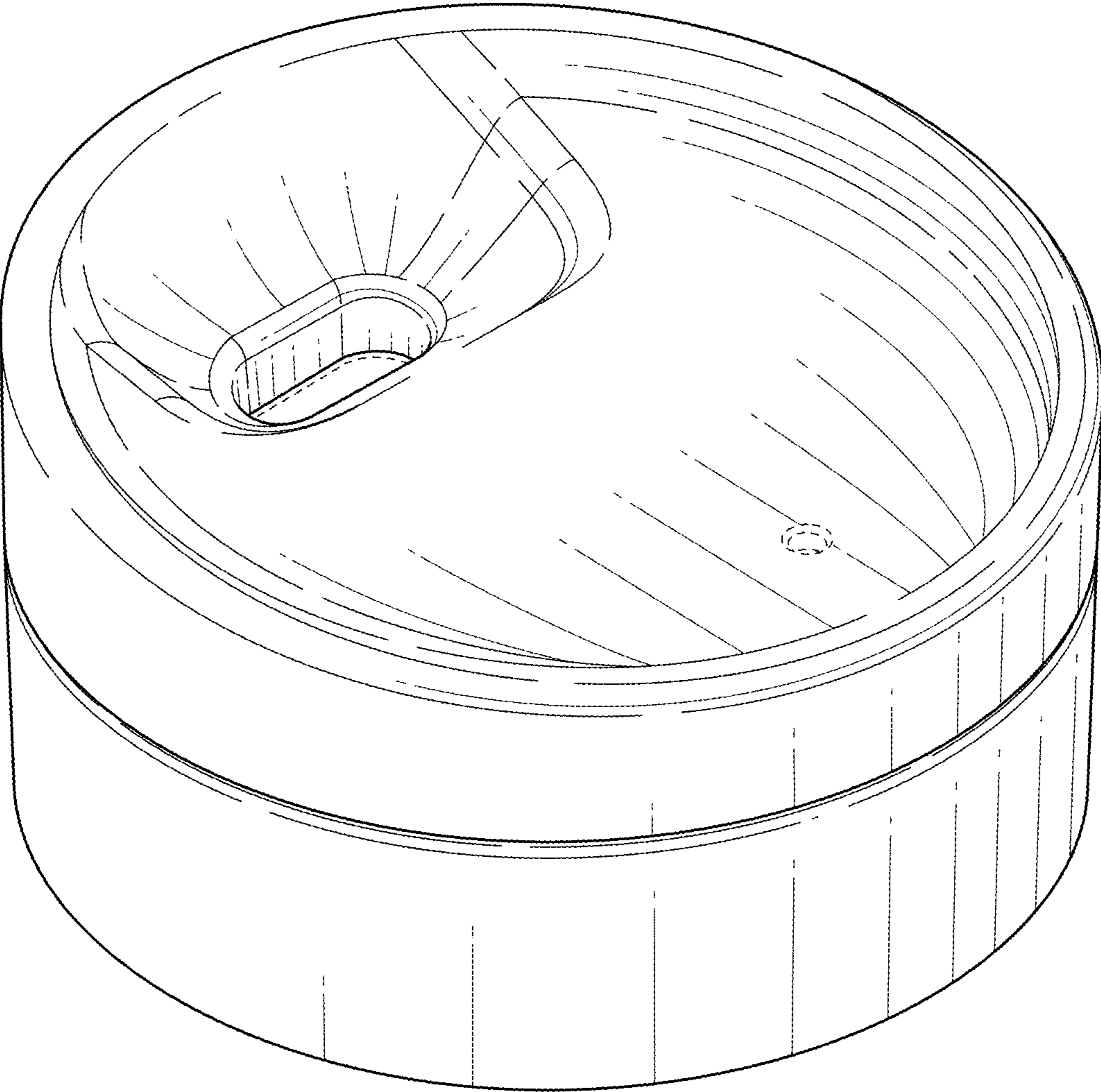


FIG. 8