



US00D977901S

(12) **United States Design Patent**
McConnell et al.

(10) **Patent No.:** **US D977,901 S**
(45) **Date of Patent:** **** Feb. 14, 2023**

(54) **FOOD PROCESSOR**

(71) Applicant: **WHIRLPOOL CORPORATION**,
Benton Harbor, MI (US)

(72) Inventors: **John W. McConnell**, St. Joseph, MI
(US); **Yifan Wang**, St. Joseph, MI
(US); **Wenkai Wu**, Aurora, IL (US)

(73) Assignee: **WHIRLPOOL CORPORATION**,
Benton Harbor, MI (US)

(**) Term: **15 Years**

(21) Appl. No.: **29/781,065**

(22) Filed: **Apr. 28, 2021**

Related U.S. Application Data

(63) Continuation of application No. 29/682,098, filed on
Mar. 1, 2019, now Pat. No. Des. 920,032.

(51) **LOC (14) Cl.** **31-00**

(52) **U.S. Cl.**
USPC **D7/378**

(58) **Field of Classification Search**
USPC D7/306, 309, 354, 355, 358, 361, 372,
D7/373, 374, 375, 376, 377, 378, 379,
D7/380, 381, 382, 383, 384, 385, 386,
D7/412, 413, 602, 612, 694, 669, 679
CPC .. A47J 43/04; A47J 43/25; A47J 43/27; A47J
43/042; A47J 43/044; A47J 43/046; A47J
43/075; A47J 43/0722; A47J 43/0727;
A21C 1/02; A21C 1/04; A23G 9/045;
A23N 1/00; A23N 1/02
See application file for complete search history.

(56) **References Cited**

U.S. PATENT DOCUMENTS

4,542,857 A * 9/1985 Akasaka A47J 43/0794
241/37.5
D287,327 S 12/1986 Cavalli

D290,677 S 7/1987 Stutzer et al.
D293,071 S * 12/1987 Kim D7/384
D294,328 S 2/1988 Uesaka
D310,153 S 8/1990 Kaiser
D345,078 S 3/1994 Gotzsch
D346,223 S * 4/1994 Mechler D24/220
D406,154 S 2/1999 Copland et al.

(Continued)

FOREIGN PATENT DOCUMENTS

CN 304883803 * 11/2018
CN 304959969 * 12/2018

(Continued)

OTHER PUBLICATIONS

KitchenAid® 5 Cup White Cordless Food Processor, no announce-
ment date [online], retrieved Sep. 26, 2022, retrieved from internet,
<https://www.allstarappliances.net/product/kitchenaid-5-cup-white-cordless-food-processor-kfcb519wh-751124>.*

(Continued)

Primary Examiner — Messina L Smith

(74) *Attorney, Agent, or Firm* — Price Heneveld LLP

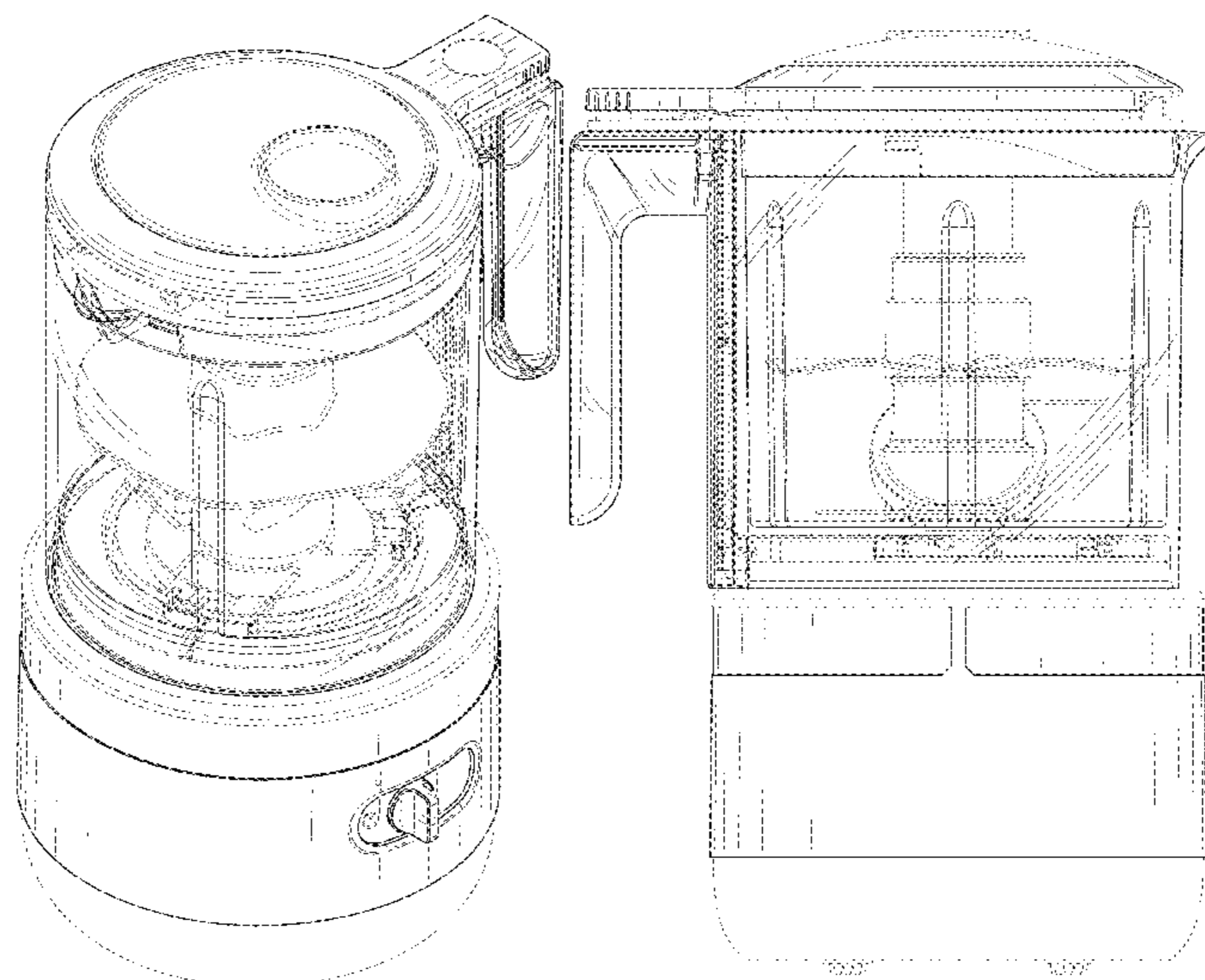
(57) **CLAIM**

The ornamental design for a food processor, as shown and
described.

DESCRIPTION

FIG. 1 is a perspective view of a food processor according
to the design;
FIG. 2 is a front elevation view thereof;
FIG. 3 is a back elevation view thereof;
FIG. 4 is a right side elevation view thereof;
FIG. 5 is a left side elevation view thereof;
FIG. 6 is a top plan view thereof; and,
FIG. 7 is a bottom plan view thereof.
The portions of the food processor shown in broken line
form no part of the claimed design.

1 Claim, 7 Drawing Sheets



(56)

References Cited

U.S. PATENT DOCUMENTS

D419,367 S 1/2000 Kin
 D426,423 S 6/2000 Lee
 6,418,837 B1 7/2002 Obersteiner
 D466,363 S 12/2002 Dalton et al.
 D475,577 S * 6/2003 Kung D7/533
 D488,344 S 4/2004 Seum et al.
 D502,047 S 2/2005 Ledingham et al.
 D502,842 S 3/2005 Hallar
 6,971,597 B2 12/2005 Starr
 7,028,930 B2 4/2006 Carnevale
 7,159,808 B2 1/2007 Starr
 D547,601 S 7/2007 Ting et al.
 D556,506 S * 12/2007 Spagnolo D7/378
 D560,093 S 1/2008 Verdun
 D578,341 S 10/2008 Picozza et al.
 D580,216 S 11/2008 Ryan
 D587,064 S 2/2009 Mark
 7,562,838 B2 7/2009 Leung et al.
 D621,206 S 8/2010 Matta et al.
 D625,142 S 10/2010 Moore
 D625,144 S 10/2010 Moore et al.
 D629,643 S 12/2010 Bower
 D630,467 S 1/2011 Harrod
 D634,155 S 3/2011 Duncan et al.
 D637,870 S 5/2011 Bock
 D644,478 S 9/2011 Czach
 D644,480 S 9/2011 Czach et al.
 8,051,769 B2 11/2011 Conti et al.
 D667,683 S 9/2012 Czach et al.
 D683,180 S 5/2013 Carlson
 D702,993 S 4/2014 Lownds
 8,733,239 B2 5/2014 Allen
 D711,682 S 8/2014 Norland et al.
 D719,779 S 12/2014 Vu et al.
 D725,432 S 3/2015 Gao
 9,084,508 B2 7/2015 Sandford et al.
 D739,679 S 9/2015 Benoit et al.
 D758,126 S 6/2016 Benoit et al.
 9,427,111 B2 8/2016 Gen et al.
 D767,327 S 9/2016 McConnell et al.
 D772,010 S 11/2016 Dutruel
 D793,152 S 8/2017 Gushwa et al.
 D801,105 S 10/2017 Sandberg
 D812,416 S 3/2018 Carlson

D817,080 S * 5/2018 Seidl A47J 43/25
 D7/377
 D895,348 S * 9/2020 Vignau-Lous D7/378
 D920,032 S * 5/2021 McConnell D7/378
 D936,412 S * 11/2021 Lissoni D7/377
 2011/0011281 A1 * 1/2011 Allen A47J 43/0716
 241/37.5
 2011/0139017 A1 6/2011 Beber et al.
 2019/0090694 A1 * 3/2019 Wu A47J 43/0722

FOREIGN PATENT DOCUMENTS

CN 305651756 * 3/2020
 EP 0570758 A1 11/1993
 JP 2001062777 A 3/2001
 JP 2008149104 A 7/2008
 WO 2012113107 A1 8/2012

OTHER PUBLICATIONS

Honest Review: Kitchenaid Cordless Food Processor, announced May 7, 2022 [online], retrieved Sep. 26, 2022, retrieved from internet, <https://thepracticalkitchen.com/review-5-cup-kitchenaid-cordless-food-chopper/>.
 KitchenAid® 7-Cup Food Processor, announced 2018 [online], retrieved Sep. 26, 2022, retrieved from internet, <https://www.bedbathandbeyond.com/store/product/kitchenaid-7-cup-food-processor/5172644?keyword=5-cup-food-processor&skuId=64990934>.
 The Best Food Processors on Amazon, According to Hyperenthusiastic Reviewers, announced Dec. 15, 2021 [online], retrieved Sep. 26, 2022, retrieved from internet, <https://nymag.com/strategist/article/best-food-processors.html>.
 KitchenAid Cuts the Cord on Its Latest Line of Appliances, announced Mar. 17, 2020 [online], retrieved Jul. 17, 2020, retrieved from internet, <https://www.chowhound.com/food-news/258820/kitchenaid-first-ever-cordless-line-of-appliances/>.
 KitchenAid® Matte Grey Cordless 5-Cup Mini Food Processor, announced © 2020 [online], retrieved Jul. 17, 2020, retrieved from internet, <https://www.crateandbarrel.com/kitchenaid-matte-grey-cordless-5-cup-mini-food-processor/s656271>.
 Cordless 5 Cup Food Chopper, announced Mar. 2020 [online], retrieved Jul. 17, 2020, retrieved from internet <https://www.kitchenaid.com/courtop-appliances/food-processors/choppers/p.cordless-5-cup-food-chopper.kfcb519bm.html>.

* cited by examiner

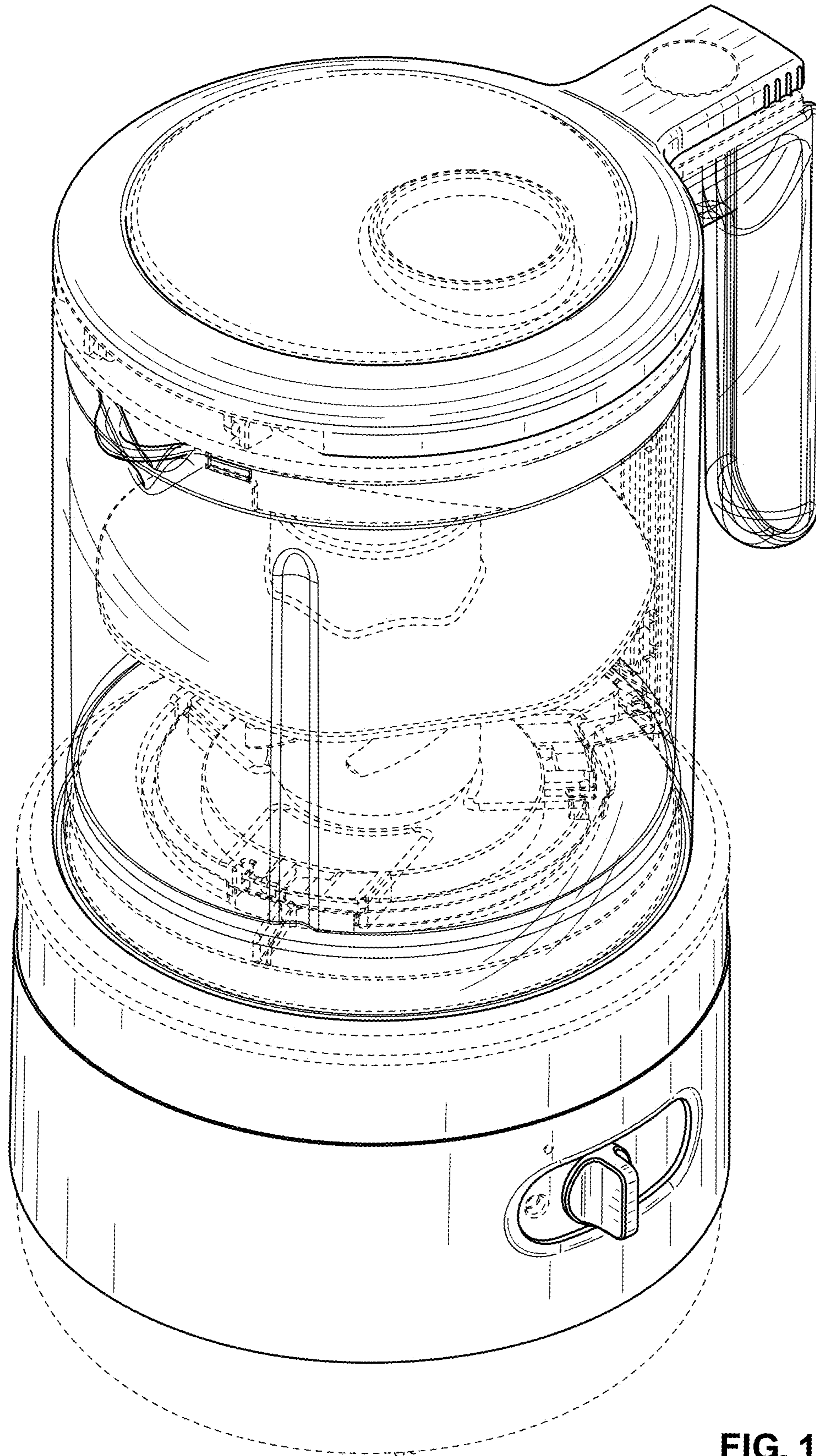


FIG. 1

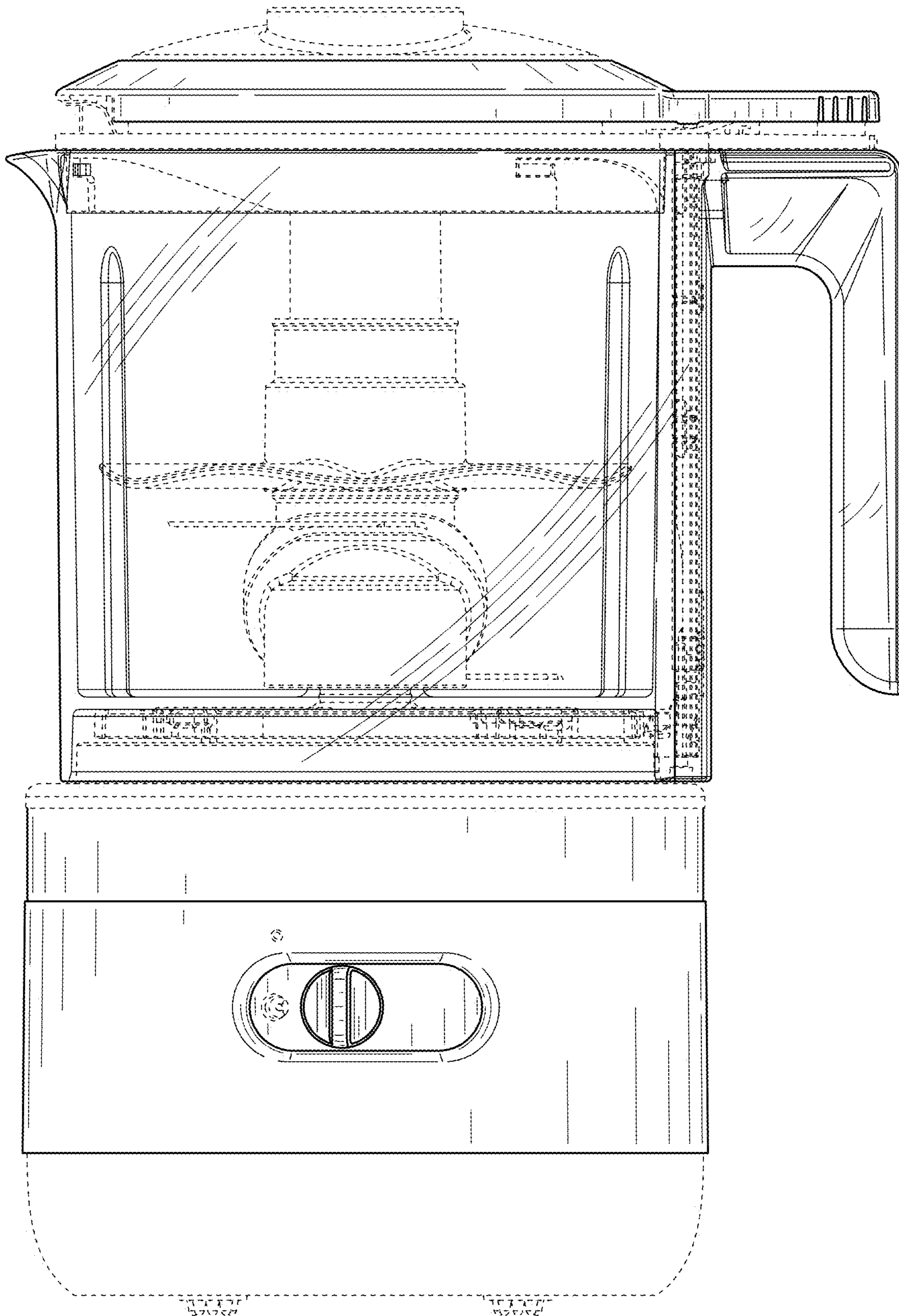


FIG. 2

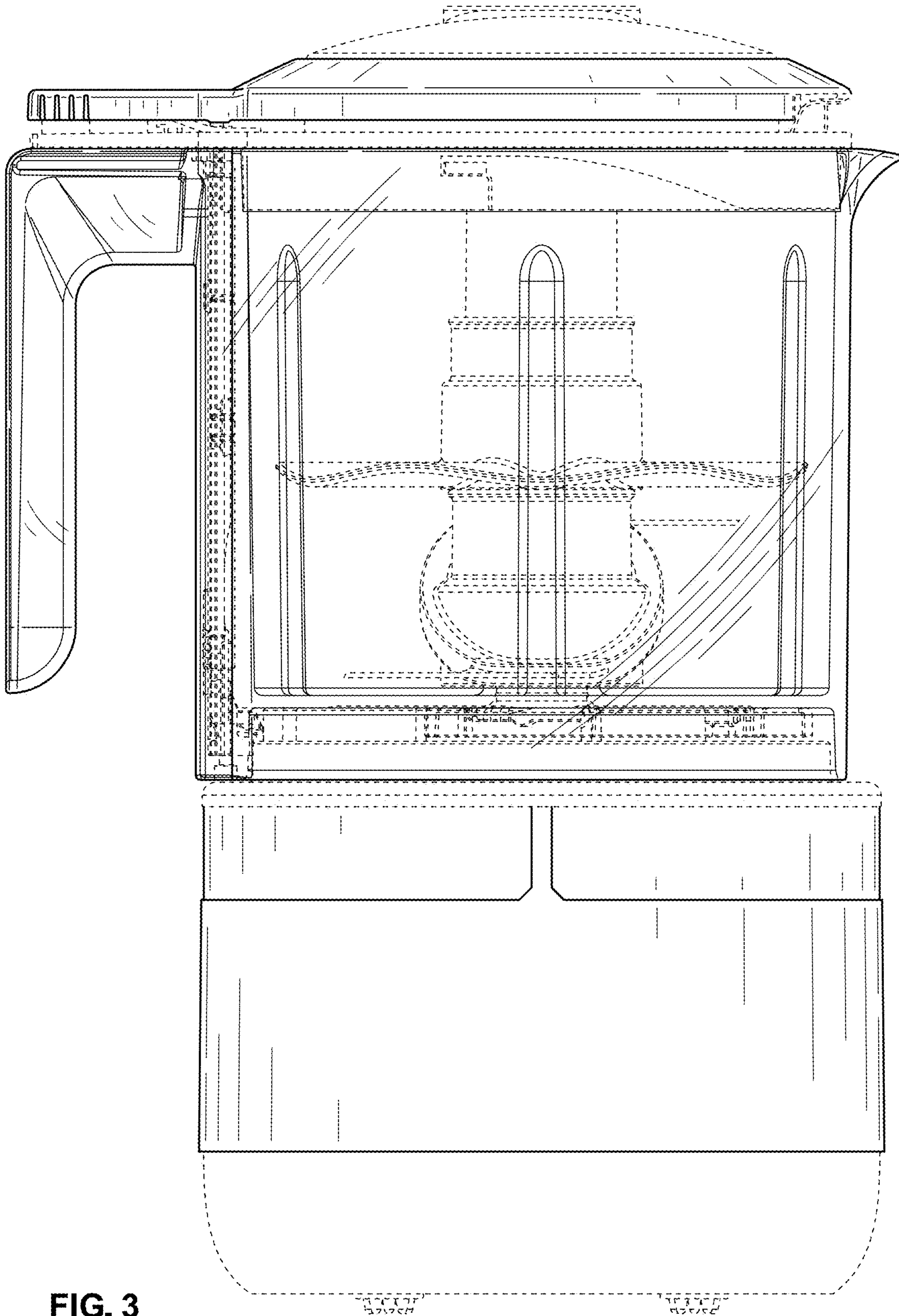


FIG. 3

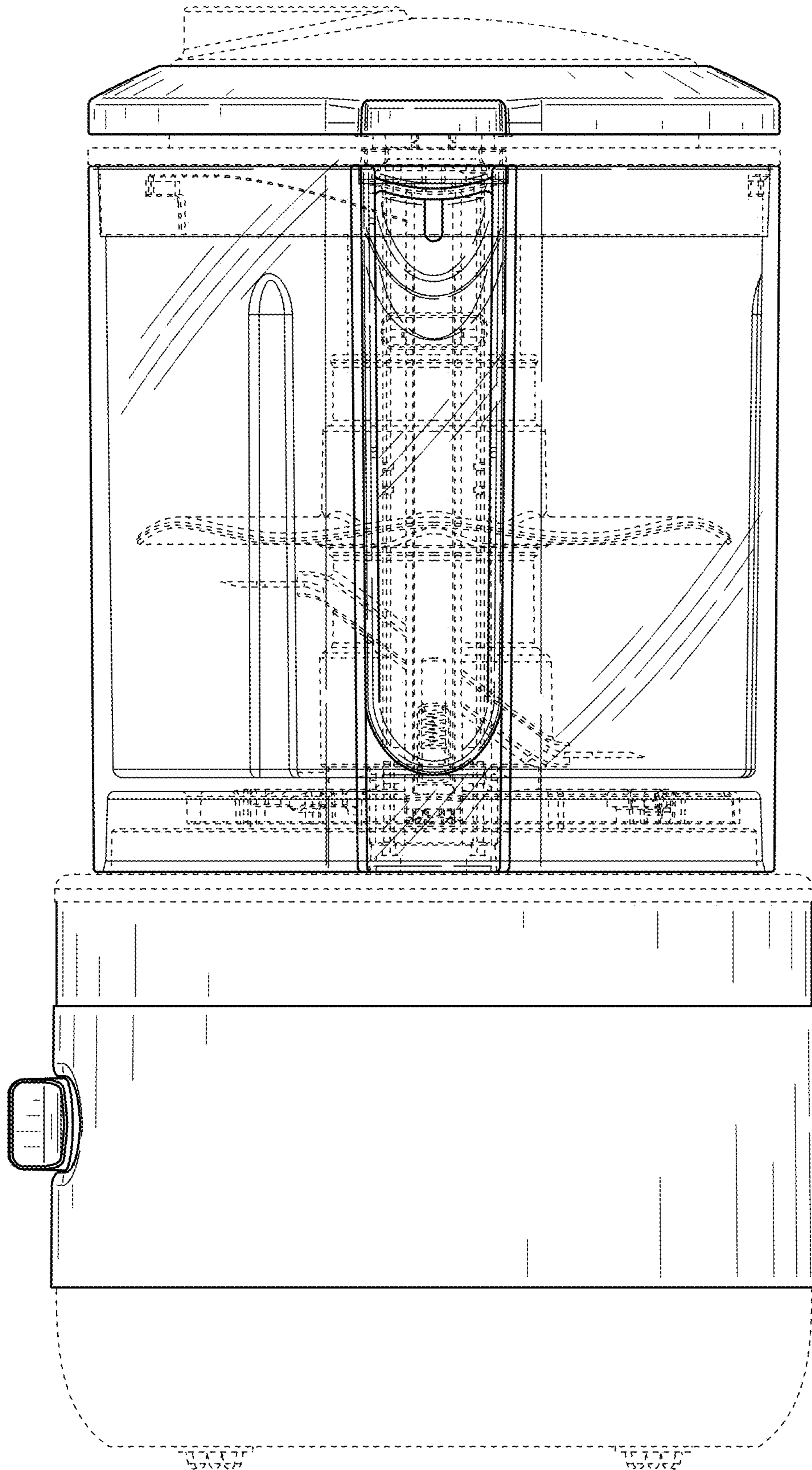


FIG. 4

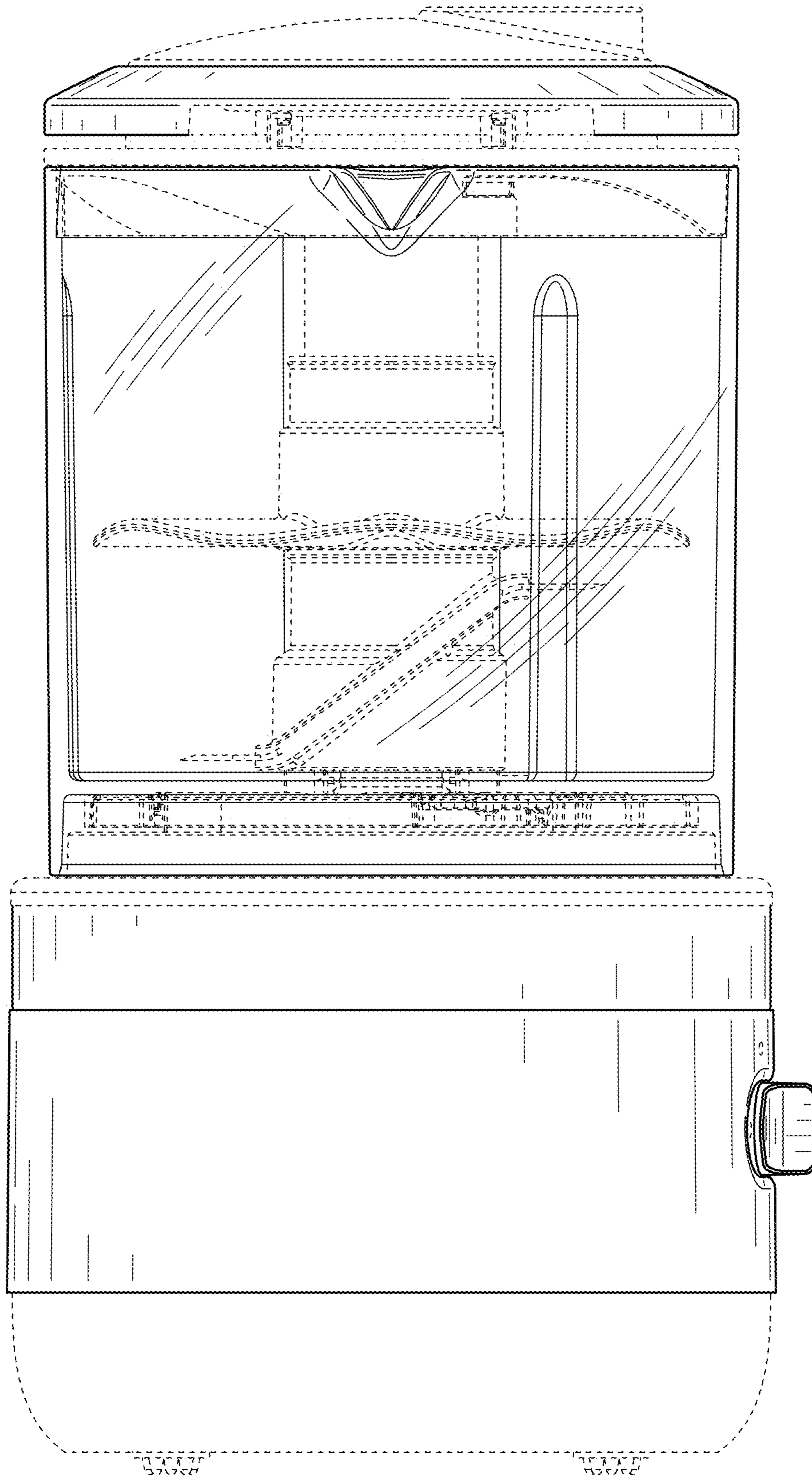


FIG. 5

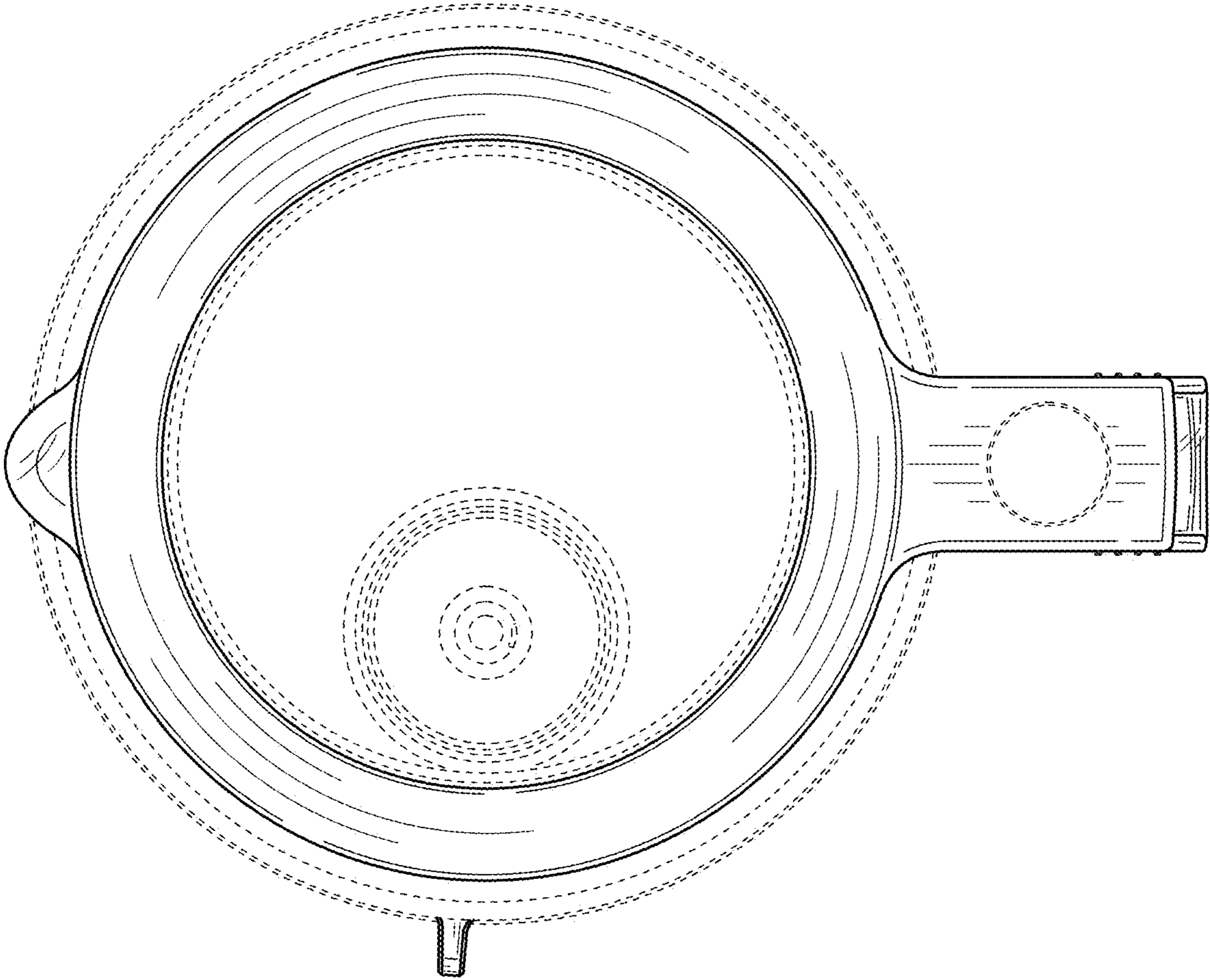


FIG. 6

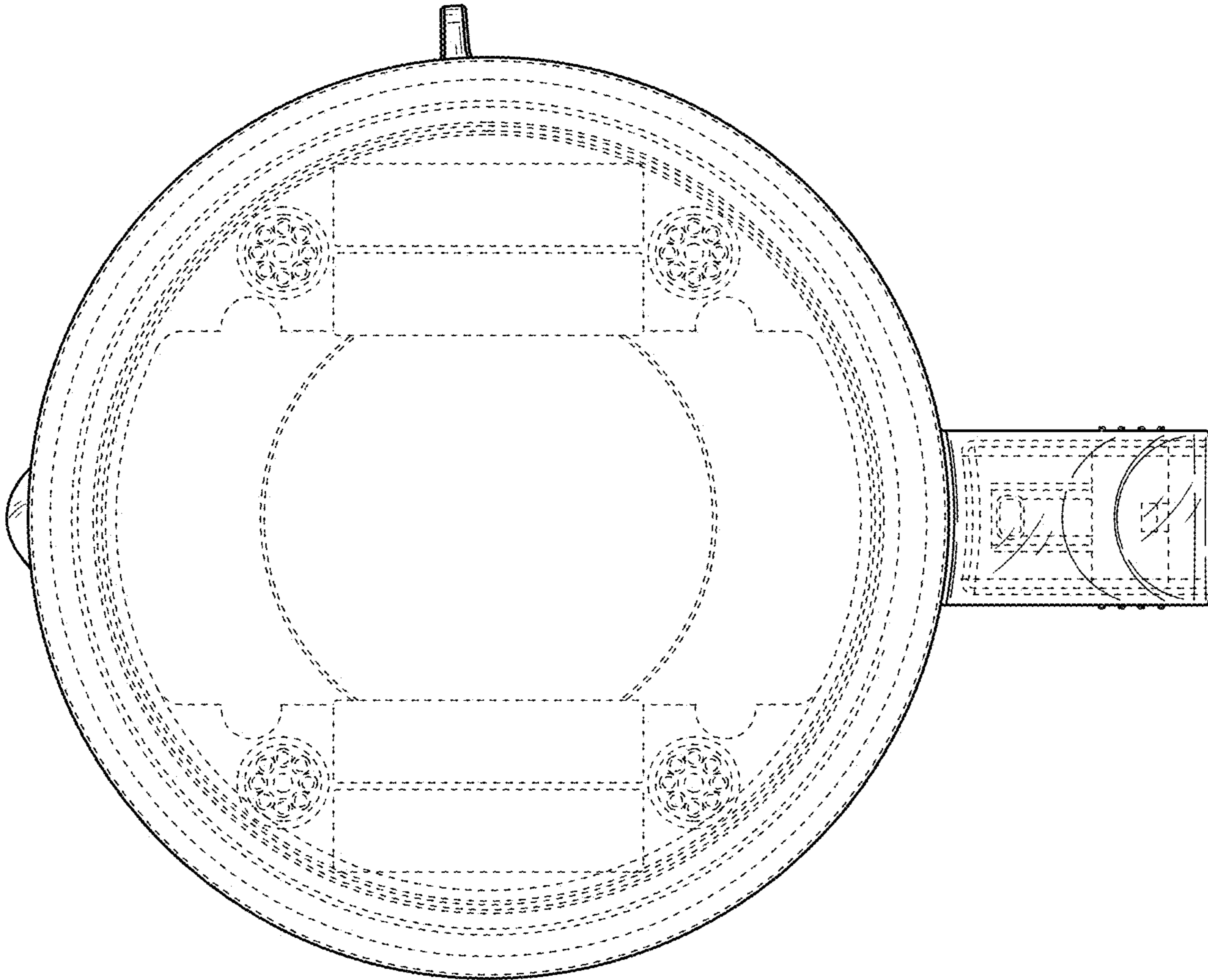


FIG. 7