



US00D977898S

(12) **United States Design Patent** (10) **Patent No.:** **US D977,898 S**  
**Zhou** (45) **Date of Patent:** **\*\* Feb. 14, 2023**

(54) **MULTIFUNCTIONAL COOKING POT**

(71) Applicant: **MIDEA GROUP CO., LTD.**,  
Guangdong (CN)

(72) Inventor: **Runsheng Zhou**, Guangdong (CN)

(73) Assignee: **MIDEA GROUP CO., LTD.**, Foshan  
(CN)

(\*\*) Term: **15 Years**

(21) Appl. No.: **35/511,247**

(22) Filed: **Oct. 29, 2020**

(80) **Hague Agreement Data**

Int. Filing Date: **Oct. 29, 2020**

Int. Reg. No.: **DM/212298**

Int. Reg. Date: **Oct. 29, 2020**

Int. Reg. Pub. Date: **Jan. 29, 2021**

(30) **Foreign Application Priority Data**

Jul. 16, 2020 (CN) ..... 202030388338.5

(51) **LOC (14) Cl.** ..... **07-02**

(52) **U.S. Cl.**  
USPC ..... **D7/354**

(58) **Field of Classification Search**  
USPC ..... D7/323, 354, 355, 358  
CPC ..... A47J 27/00; A47J 27/004; A47J 27/04;  
A47J 27/08; A47J 27/0817; A47J 27/086;  
A47J 27/09; A47J 27/10; A47J 36/00;  
A47J 36/06; A47J 36/062; A47J 36/066;  
A47J 36/10

See application file for complete search history.

(56) **References Cited**

**U.S. PATENT DOCUMENTS**

3,801,331 A \* 4/1974 Sano ..... A47J 36/38  
D7/354  
4,148,250 A \* 4/1979 Miki ..... A47J 36/06  
99/403

D285,644 S \* 9/1986 Kitakaze ..... D7/358  
D323,764 S \* 2/1992 Sautour ..... D7/393  
D341,056 S \* 11/1993 Powell ..... D7/354  
D347,548 S \* 6/1994 Boehm ..... D7/323  
D366,592 S \* 1/1996 Cesaroni ..... D7/355  
D369,505 S \* 5/1996 Philippe ..... D7/354  
D413,483 S \* 9/1999 Roussard ..... D7/358  
D418,007 S \* 12/1999 Boughey ..... D7/358  
D437,183 S \* 2/2001 Wong ..... D7/362  
D444,667 S \* 7/2001 Wong ..... D7/362  
D465,128 S \* 11/2002 Au ..... D7/391  
D488,669 S \* 4/2004 Tse ..... D7/355  
D532,248 S \* 11/2006 Allende Fritsch ..... D7/354  
D549,517 S \* 8/2007 Moran ..... D7/358

(Continued)

*Primary Examiner* — Steven J Cxyz

(74) *Attorney, Agent, or Firm* — Morgan, Lewis &  
Bockius LLP

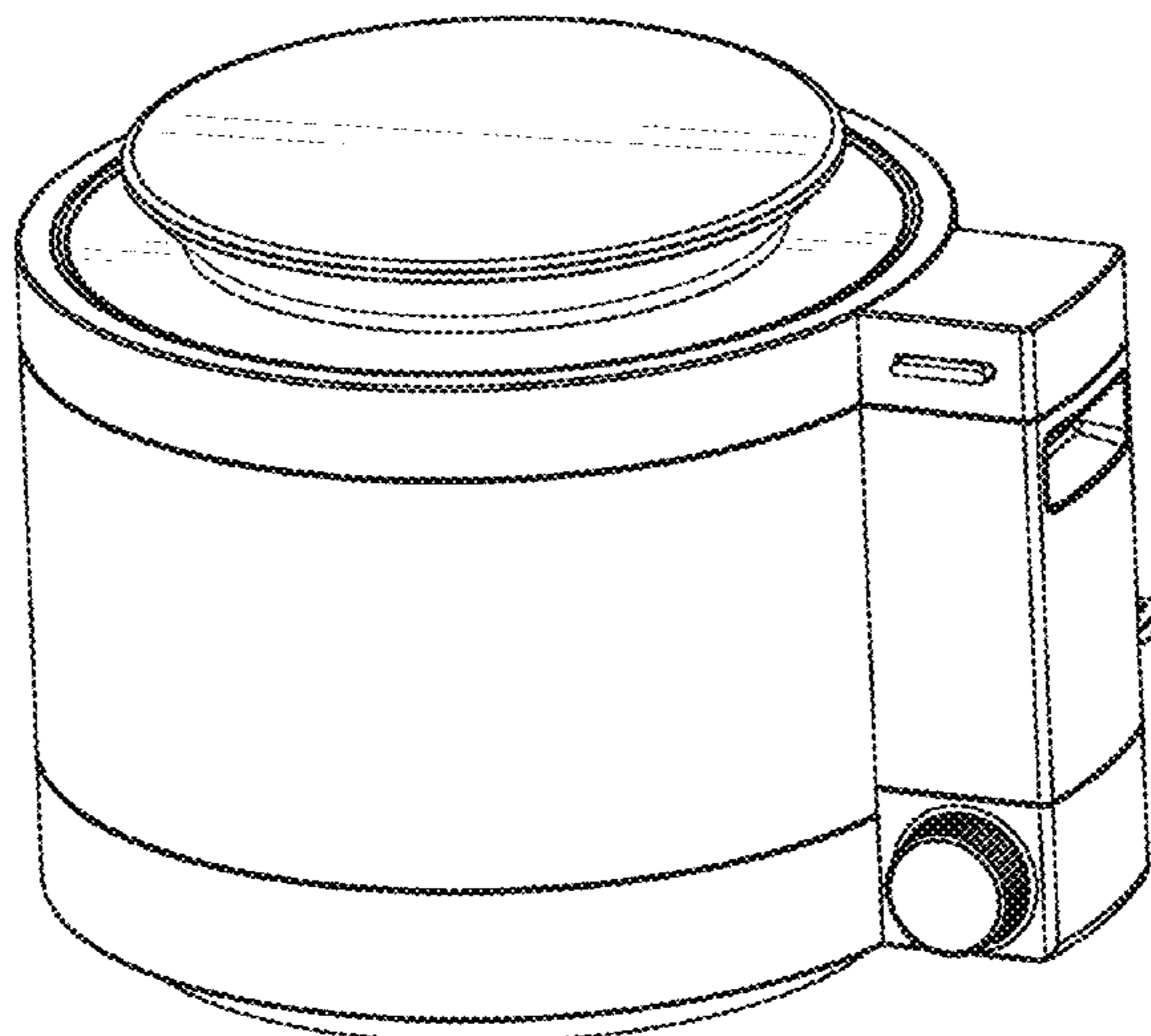
(57) **CLAIM**

The ornamental design for a multifunctional cooking pot, as  
shown and described.

**DESCRIPTION**

1.-2. Multifunctional cooking pot  
1.1 : Front  
1.2 : Back  
1.3 : Left  
1.4 : Right  
1.5 : Top  
1.6 : Bottom  
1.7 : Perspective  
2.1 : Front  
2.2 : Back  
2.3 : Left  
2.4 : Right  
2.5 : Top  
2.6 : Bottom  
2.7 : Perspective

**1 Claim, 14 Drawing Sheets**



(56)

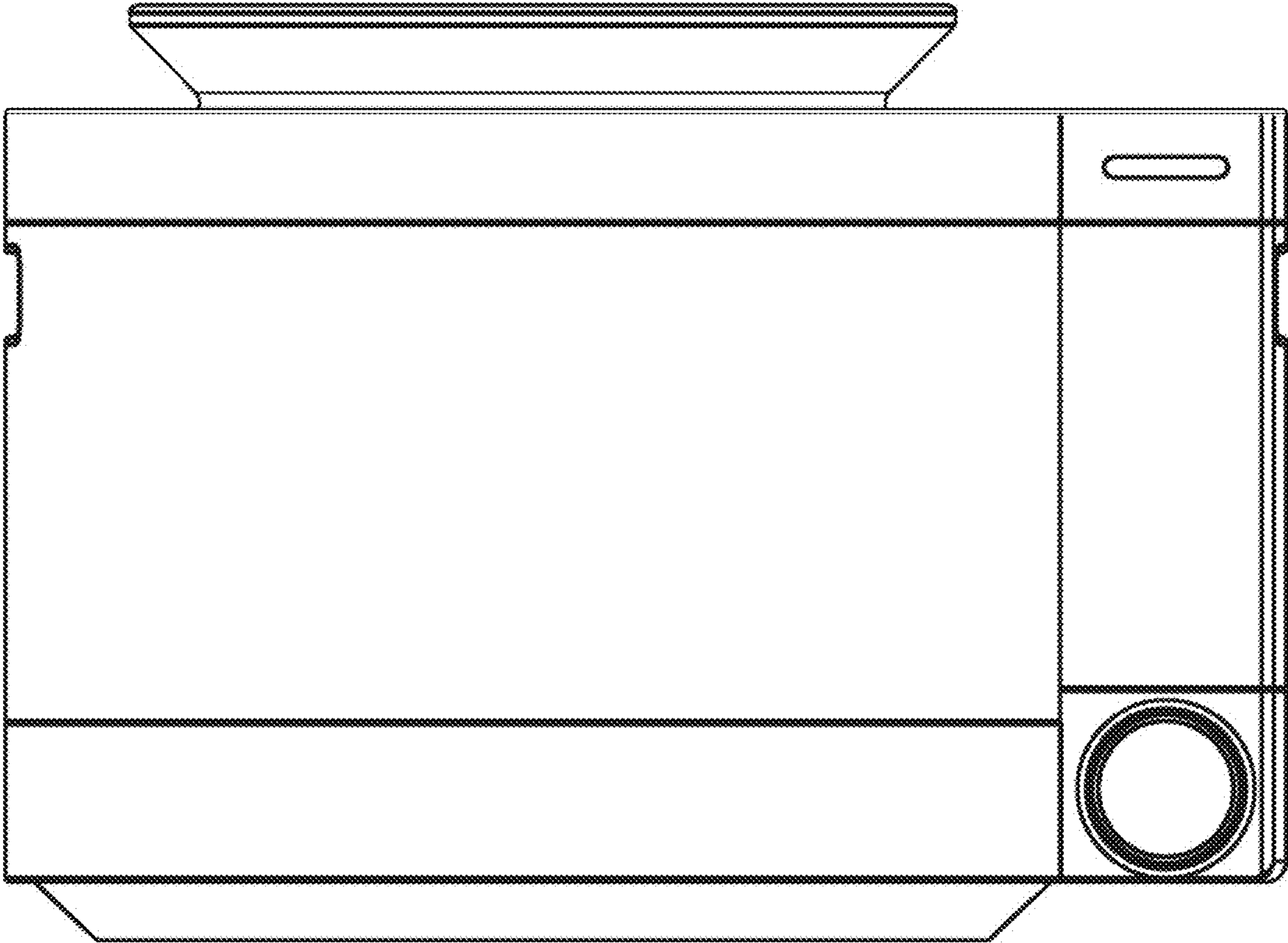
References Cited

U.S. PATENT DOCUMENTS

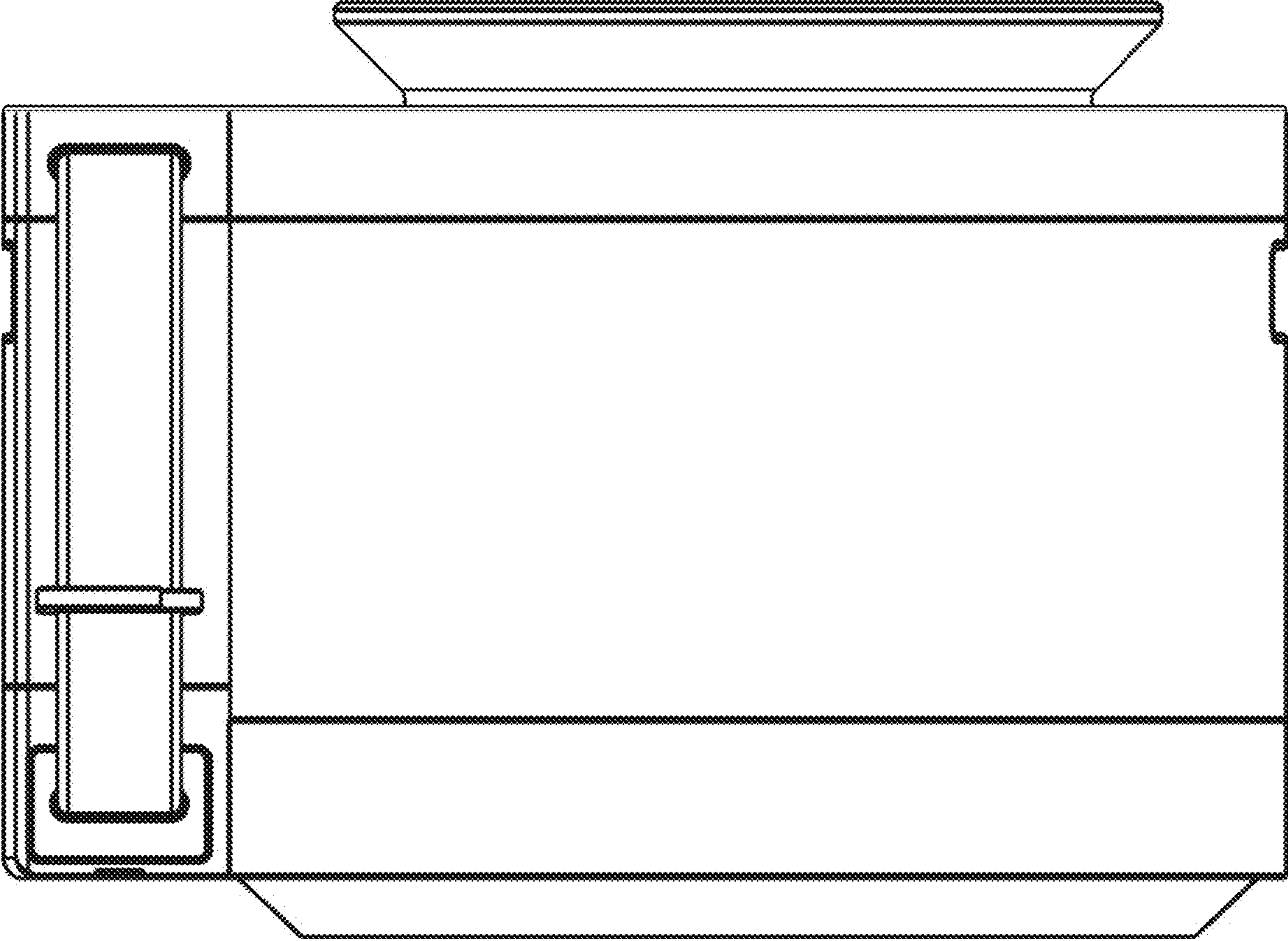
D619,892 S *	7/2010	Welk	A47J 36/12	D927,919 S *	8/2021	Wang	D7/358
				D929,792 S *	9/2021	Fransen	D7/354
D620,744 S *	8/2010	Rose	D7/391	D930,423 S *	9/2021	Wang	D7/354
D620,746 S *	8/2010	Hsiao	D7/354	D931,034 S *	9/2021	Fung	D7/358
D642,422 S *	8/2011	Averty	D7/354	D942,797 S *	2/2022	Chen	D7/354
D647,752 S *	11/2011	Curtis	D7/354	D943,337 S *	2/2022	Chen	D7/354
D677,118 S *	3/2013	Rosenfeld	D7/392	D945,812 S *	3/2022	McVey	D7/354
D692,719 S *	11/2013	Shahani	D7/354	2002/0040711 A1 *	4/2002	Anthony	A47J 37/101
D694,576 S *	12/2013	Meyer	D7/393				126/381.1
D703,994 S *	5/2014	Tumenbatur	D7/358	2005/0284305 A1 *	12/2005	Angue	A47J 27/0808
D704,500 S *	5/2014	Kim	D7/354				99/337
D711,182 S *	8/2014	Roussard	D7/354	2007/0137499 A1 *	6/2007	Leon	A47J 37/105
D713,197 S *	9/2014	Seyers	D7/354				99/422
D715,088 S *	10/2014	Kim	D7/354	2009/0020021 A1 *	1/2009	Rhetat	A47J 27/0802
D749,896 S *	2/2016	Pal	D7/354				99/342
D755,006 S *	5/2016	Prats	D7/354	2009/0101643 A1 *	4/2009	Rhetat	A47J 27/09
D756,159 S *	5/2016	Chang	D7/354				220/303
D763,036 S *	8/2016	Smart	D7/354	2013/0019759 A1 *	1/2013	Tumenbatur	A47J 27/0813
D789,144 S *	6/2017	Prats	D7/358				126/374.1
D802,987 S *	11/2017	Corlay	D7/354	2013/0255509 A1 *	10/2013	He	A47J 27/0804
D809,854 S *	2/2018	Shin	D7/391				99/352
D817,068 S *	5/2018	Eades	D7/354	2014/0339223 A1 *	11/2014	Backaert	A47J 27/0806
D821,134 S *	6/2018	Eades	D7/354				219/734
D827,360 S *	9/2018	Chung	D7/354	2014/0353316 A1 *	12/2014	Lin	A47J 36/08
D833,202 S *	11/2018	Yang	D7/354				220/573.1
D838,546 S *	1/2019	Wang	D7/406	2015/0136769 A1 *	5/2015	Quinn	A47J 36/10
D844,380 S *	4/2019	Berge	D7/402				220/240
D846,335 S *	4/2019	Yang	D7/354	2015/0257590 A1 *	9/2015	Hammad	A47J 36/10
D846,336 S *	4/2019	Hoenderdos	D7/358				219/432
D853,180 S *	7/2019	Jamison	D7/354	2016/0135636 A1 *	5/2016	Song	A47J 27/08
D854,875 S *	7/2019	Tan	D7/354				219/431
D860,712 S *	9/2019	Yang	D7/354	2016/0353914 A1 *	12/2016	Chameroy	A47J 27/0806
D861,411 S *	10/2019	Huang	D7/354	2017/0188749 A1 *	7/2017	Prandelli	A47J 36/10
D861,412 S *	10/2019	Yang	D7/354	2017/0347833 A1 *	12/2017	Ohta	A47J 37/0623
D862,971 S *	10/2019	Taniguchi	D7/354	2017/0360237 A1 *	12/2017	Ohta	A47J 43/046
D864,650 S *	10/2019	Hua	D7/354	2018/0279832 A1 *	10/2018	Ohta	A47J 43/0465
D871,828 S *	1/2020	Tan	D7/354	2019/0167028 A1 *	6/2019	Wang	A47J 36/06
D873,602 S *	1/2020	Varjabedian	D7/354	2019/0274462 A1 *	9/2019	Moon	A47J 27/086
D876,874 S *	3/2020	Varjabedian	D7/354	2020/0000263 A1 *	1/2020	Peng	A47J 27/0802
D883,014 S *	5/2020	Varjabedian	D7/354	2020/0128998 A1 *	4/2020	Qin	A47J 27/0815
D883,015 S *	5/2020	Deng	D7/354	2020/0224934 A1 *	7/2020	Itzkowitz	A47J 27/002
D886,510 S *	6/2020	Zhang	D7/354	2020/0323380 A1 *	10/2020	Wang	A47J 27/0813
D887,197 S *	6/2020	Li	D7/354	2020/0352384 A1 *	11/2020	Houjun	A47J 27/086
D887,198 S *	6/2020	Zhao	D7/354	2020/0359824 A1 *	11/2020	Han	A47J 27/004
D899,178 S *	10/2020	Ye	D7/354	2021/0000292 A1 *	1/2021	Siu	A21B 1/26
D901,230 S *	11/2020	Ye	D7/354	2021/0015297 A1 *	1/2021	Qin	A47J 36/10
D904,110 S *	12/2020	Han	D7/393	2021/0085128 A1 *	3/2021	Kennedy	A47J 36/10
D907,427 S *	1/2021	Ye	D7/354	2021/0113008 A1 *	4/2021	Luce	F16K 17/06
D910,365 S *	2/2021	Qin	D7/358	2021/0121013 A1 *	4/2021	Elliston	A47J 27/09
D911,765 S *	3/2021	Jiang	D7/367	2021/0137299 A1 *	5/2021	Moon	A47J 37/0641
D915,125 S *	4/2021	Moon	D7/354	2021/0137300 A1 *	5/2021	Moon	A47J 27/09
D915,126 S *	4/2021	Moon	D7/354	2021/0198024 A1 *	7/2021	Larson	B65D 81/3438
D915,825 S *	4/2021	Wang	D7/406	2021/0259453 A1 *	8/2021	Newhouse	A47J 36/16
D920,732 S *	6/2021	Deng	D7/354	2021/0378442 A1 *	12/2021	Han	A47J 37/0641
D920,733 S *	6/2021	Cozzolino	D7/358	2021/0378449 A1 *	12/2021	Han	B01F 35/3204
D925,274 S *	7/2021	Dorion	D7/354	2021/0378450 A1 *	12/2021	Han	B01F 27/90
D926,513 S *	8/2021	Moon	D7/358	2022/0000301 A1 *	1/2022	Huang	A47J 37/0641
				2022/0039585 A1 *	2/2022	Hensley	A47J 27/0802

\* cited by examiner

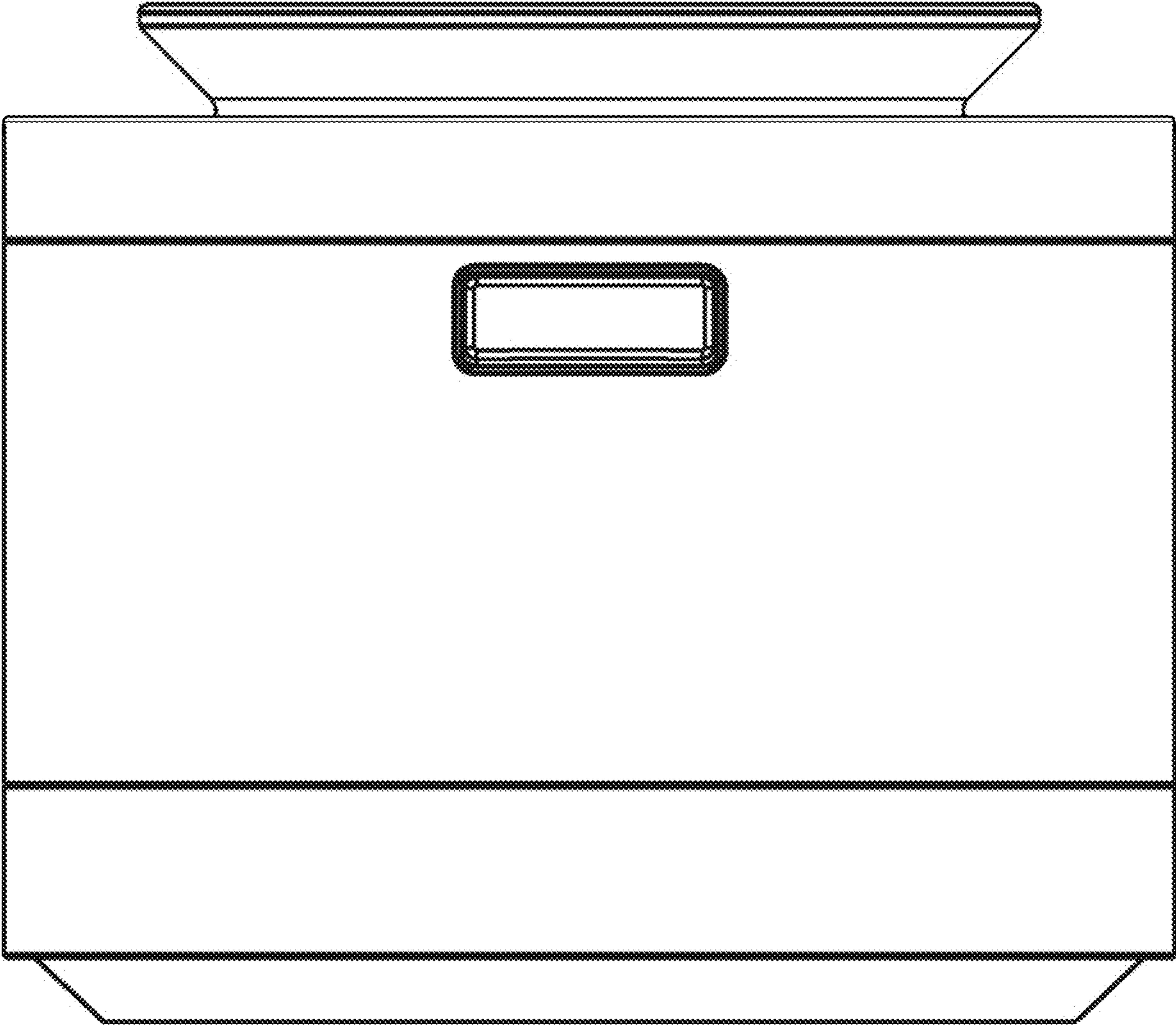
1.1



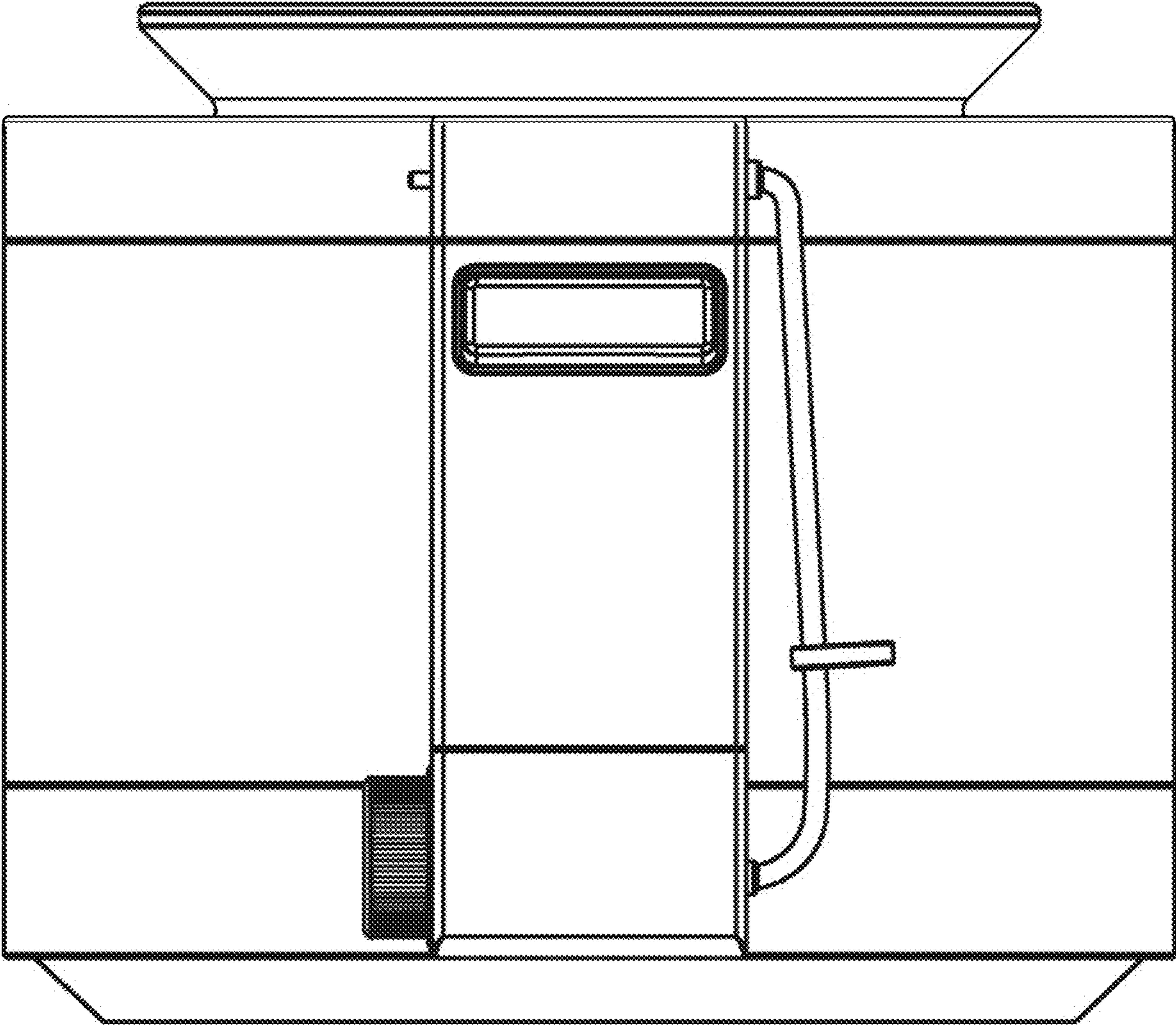
1.2



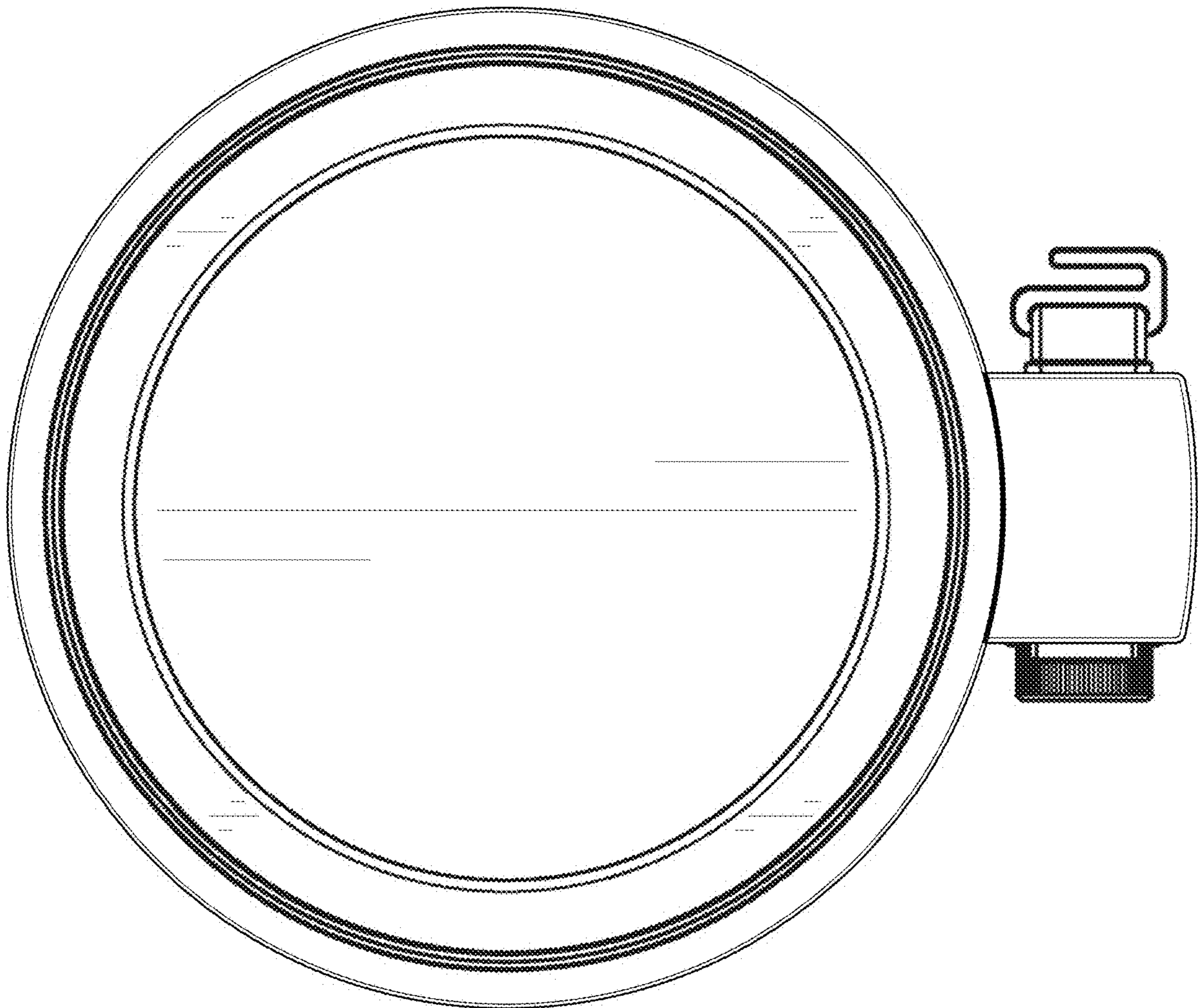
1.3



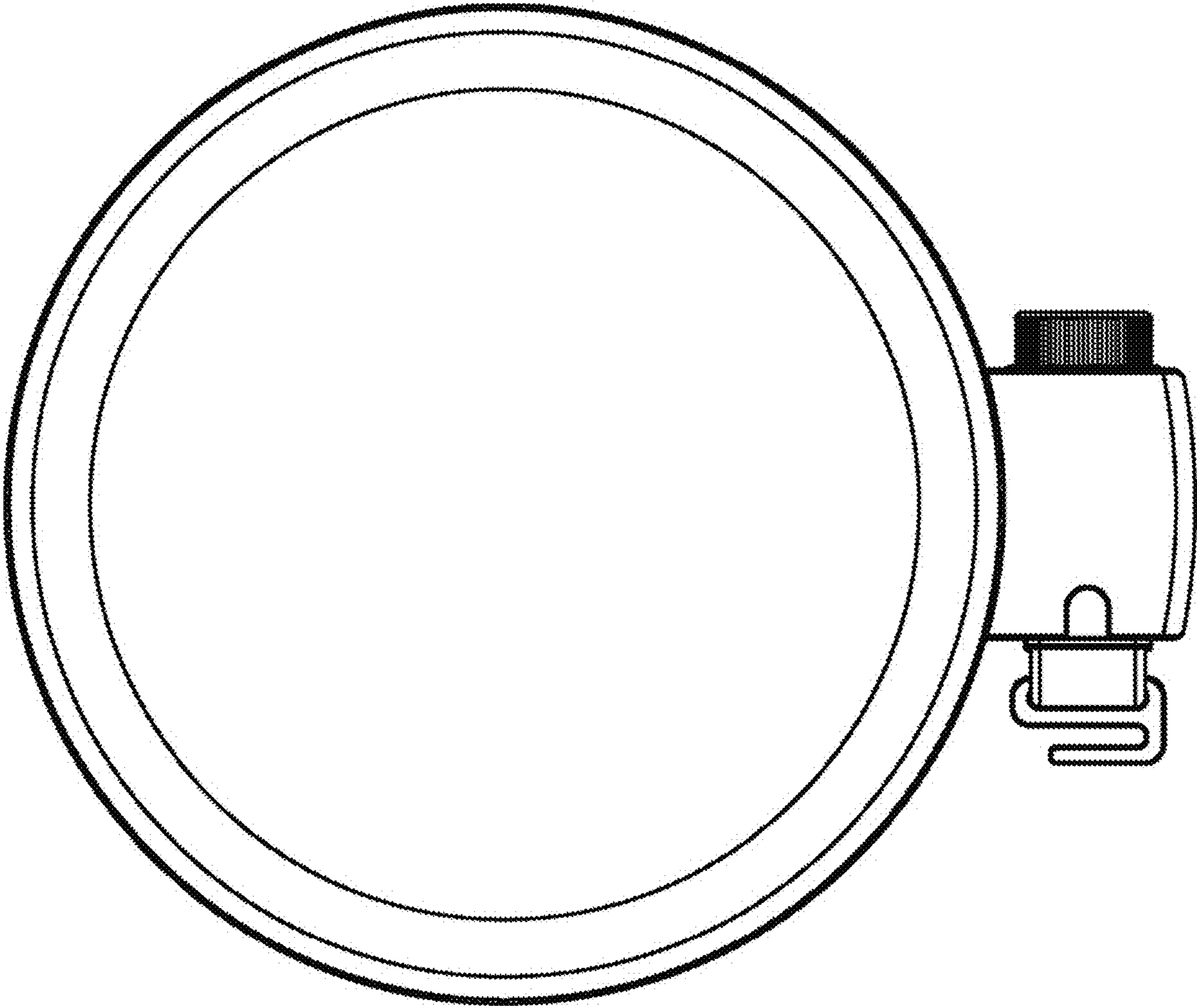
1.4



1.5

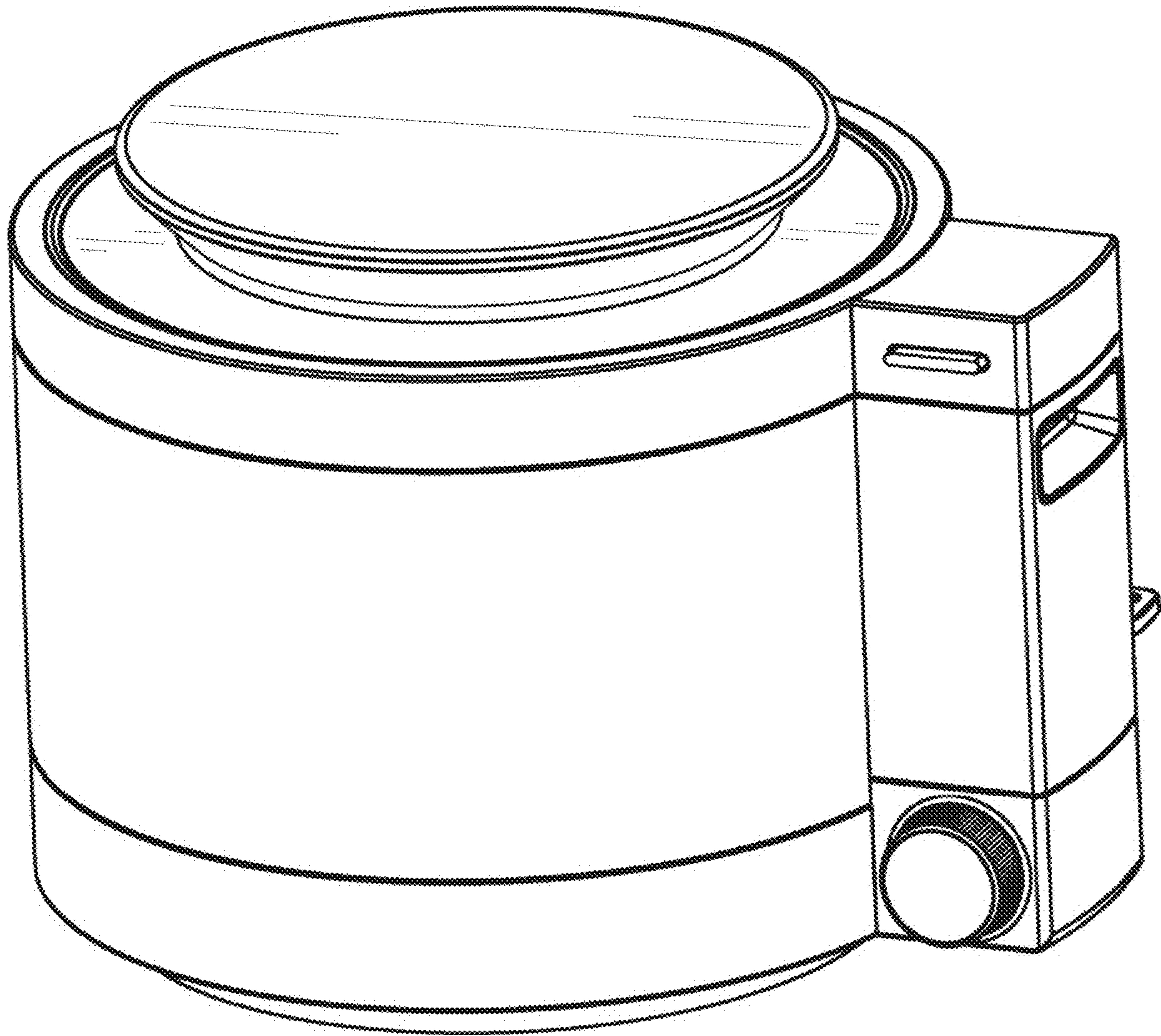


1.6

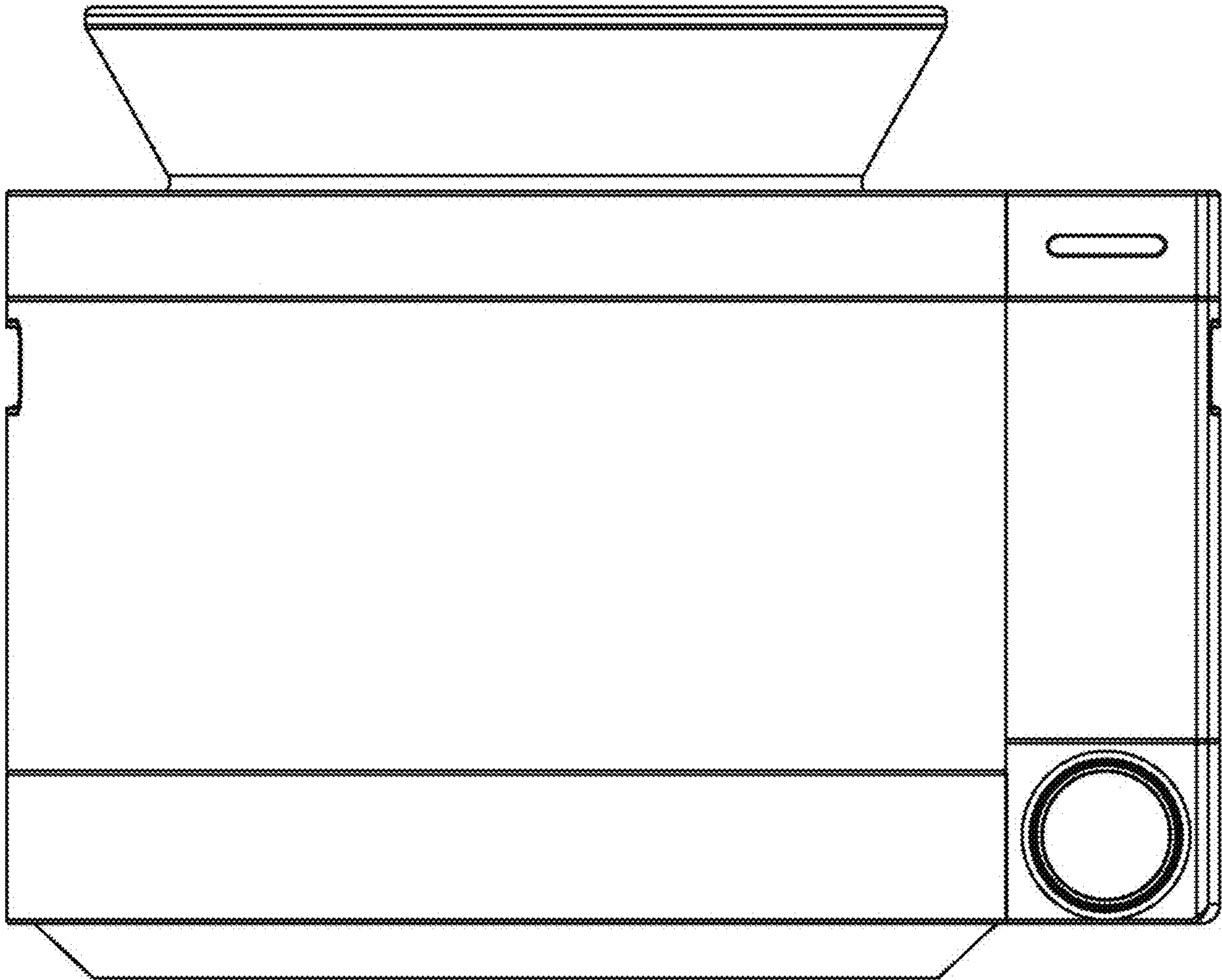




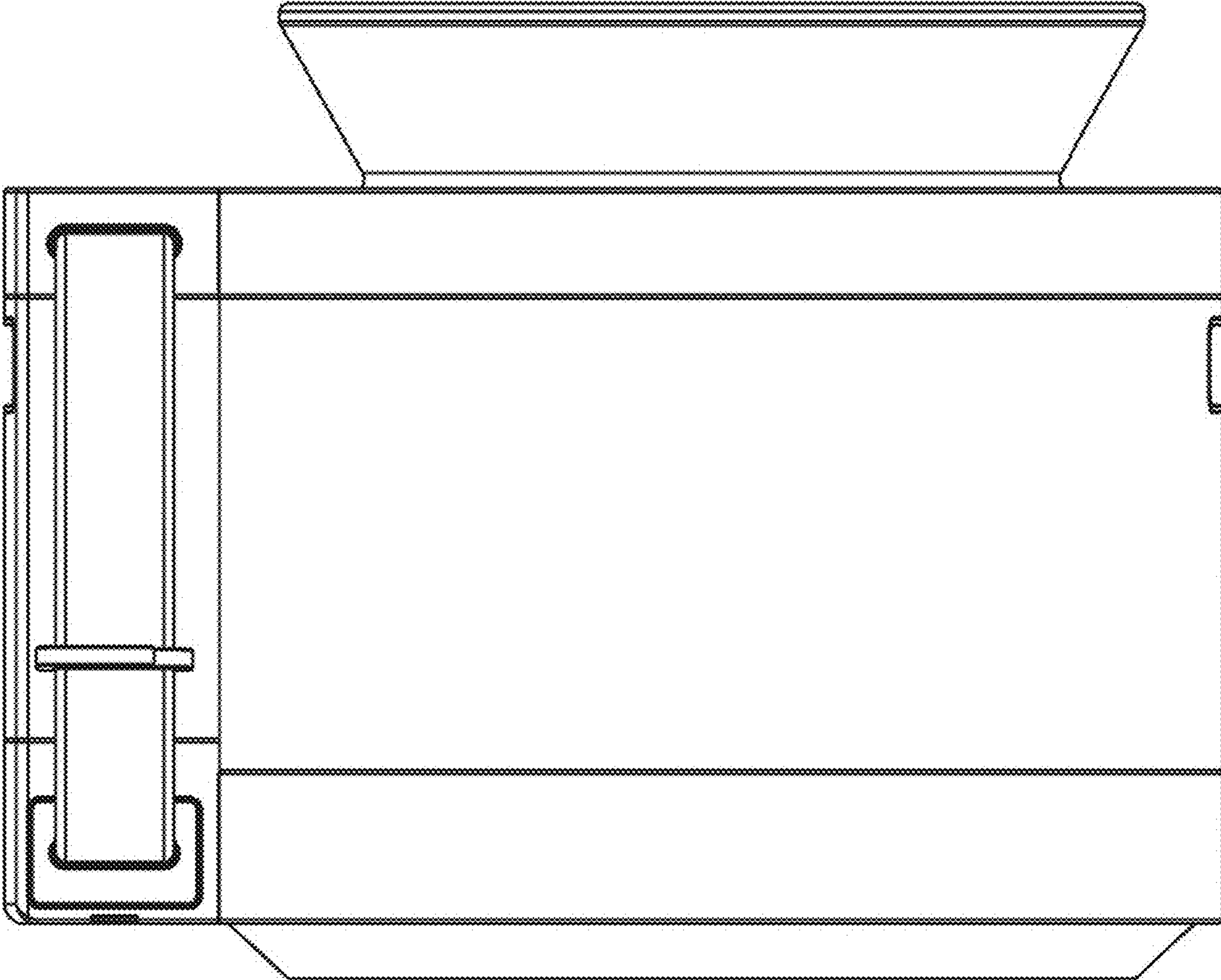
1.7



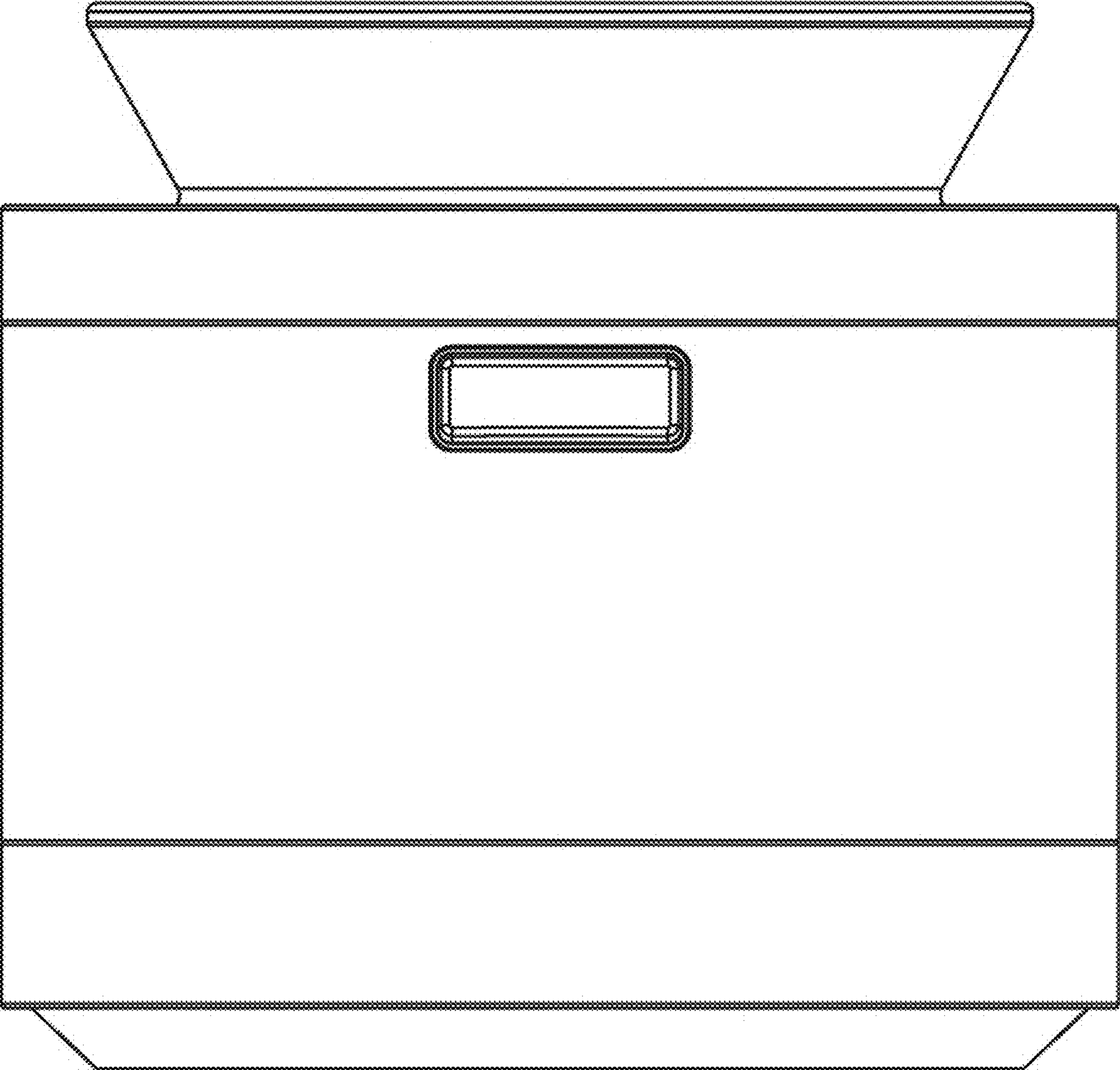
2.1



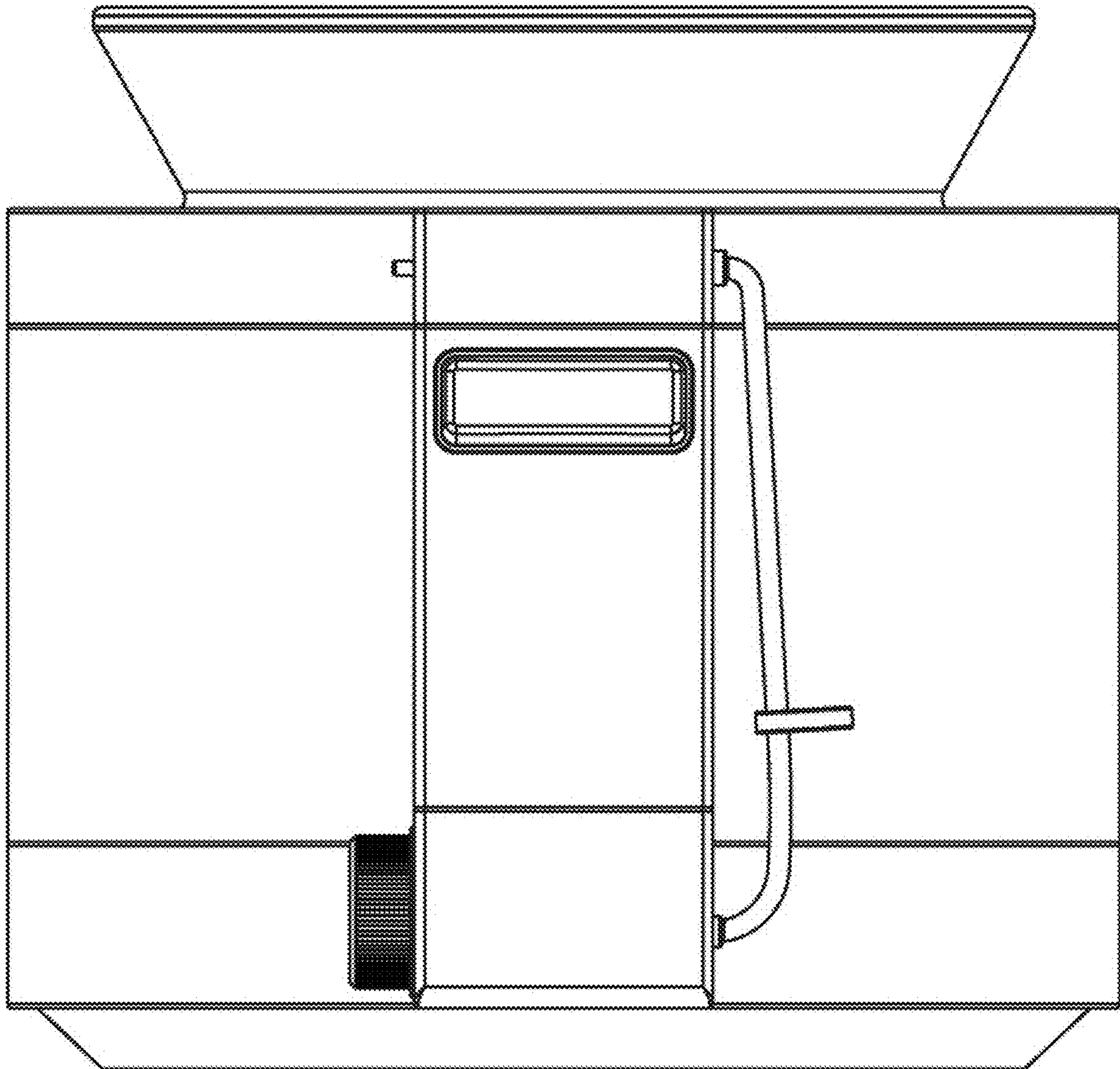
2.2



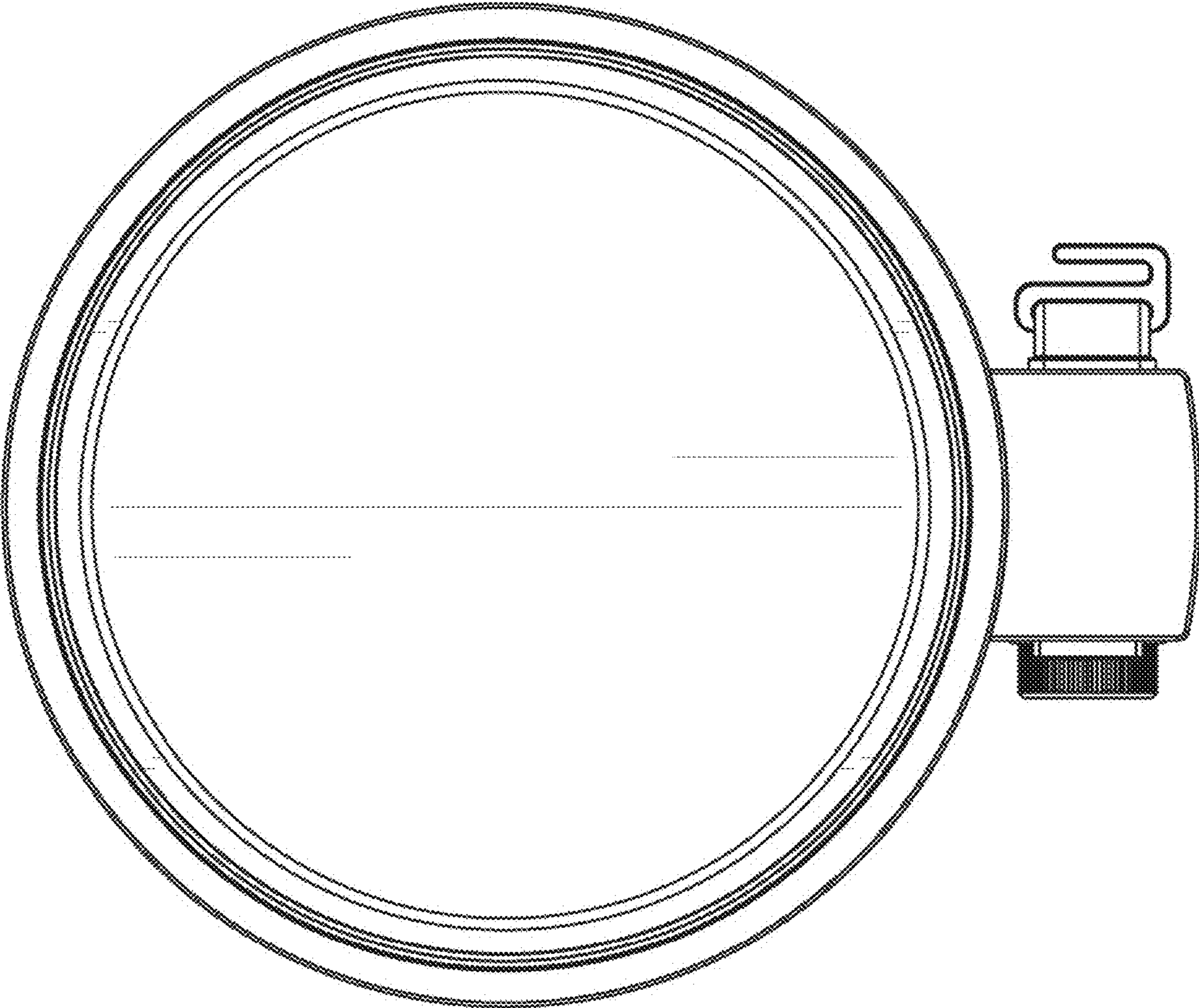
2.3



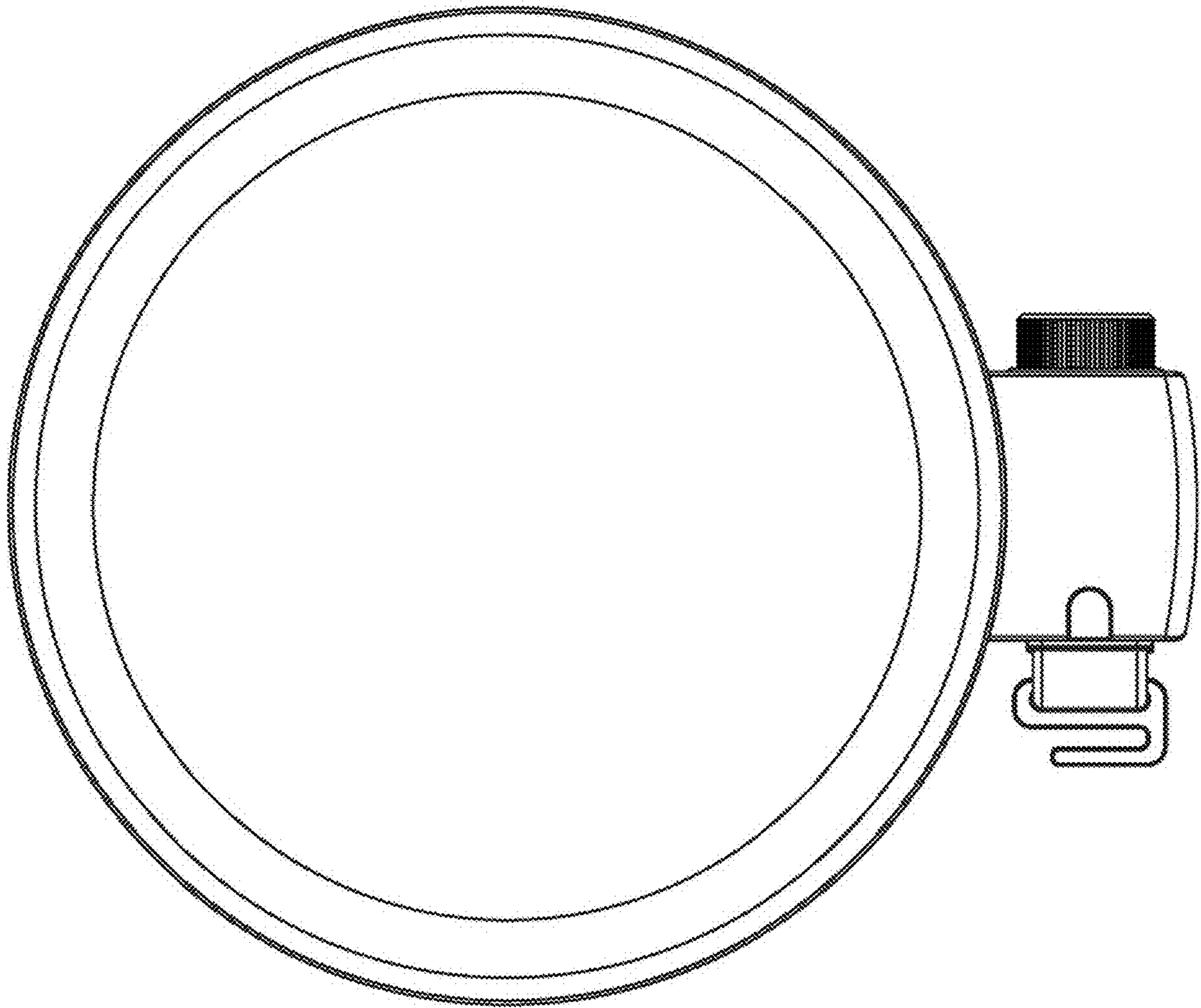
2.4



2.5



2.6



2.7

