



US00D977896S

(12) **United States Design Patent**  
**Tapaninaho et al.**

(10) **Patent No.:** **US D977,896 S**

(45) **Date of Patent:** **\*\* Feb. 14, 2023**

(54) **OVEN**

(71) Applicant: **OONI LIMITED**, West Lothian (GB)

(72) Inventors: **Kristian Tapaninaho**, West Lothian (GB); **Gavin Klocek**, West Lothian (GB); **Eduardo Garcia Valdes**, West Lothian (GB)

(73) Assignee: **OONI LIMITED**, Broxburn (GB)

(\*\*) Term: **15 Years**

(21) Appl. No.: **29/735,613**

(22) Filed: **May 22, 2020**

(51) **LOC (14) Cl.** ..... **07-02**

(52) **U.S. Cl.**  
USPC ..... **D7/337; D7/323; D7/332**

(58) **Field of Classification Search**  
USPC ..... **D7/323, 328, 329, 330, 331, 332, 333, D7/334, 337, 339, 340, 341, 346, 347,**  
(Continued)

(56) **References Cited**

**U.S. PATENT DOCUMENTS**

D191,187 S \* 8/1961 Booty ..... D7/405  
3,455,291 A \* 7/1969 Glass ..... F24B 1/1915  
126/30

(Continued)

**FOREIGN PATENT DOCUMENTS**

BX 39465-002 \* 8/2013  
CA 195772 \* 3/2022

(Continued)

**OTHER PUBLICATIONS**

Ooni Karu [online] URL: <https://ooni.com/products/ooni-karu> (site visited: Mar. 15, 2022) (Year: 2020).\*

(Continued)

*Primary Examiner* — Jae Liang  
*Assistant Examiner* — Tia Ruth-Renee Polidori  
(74) *Attorney, Agent, or Firm* — Nixon & Vanderhye P.C.

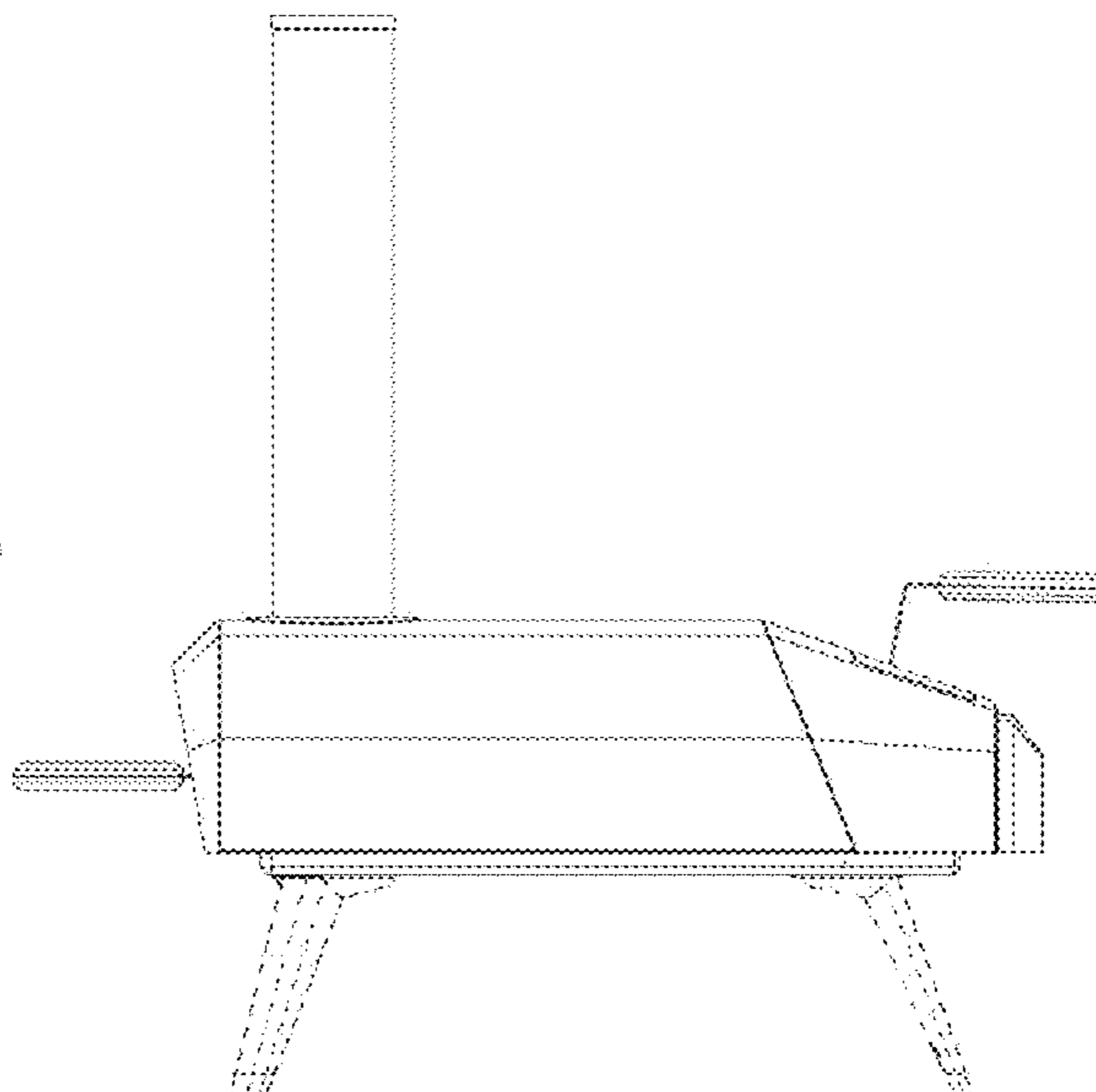
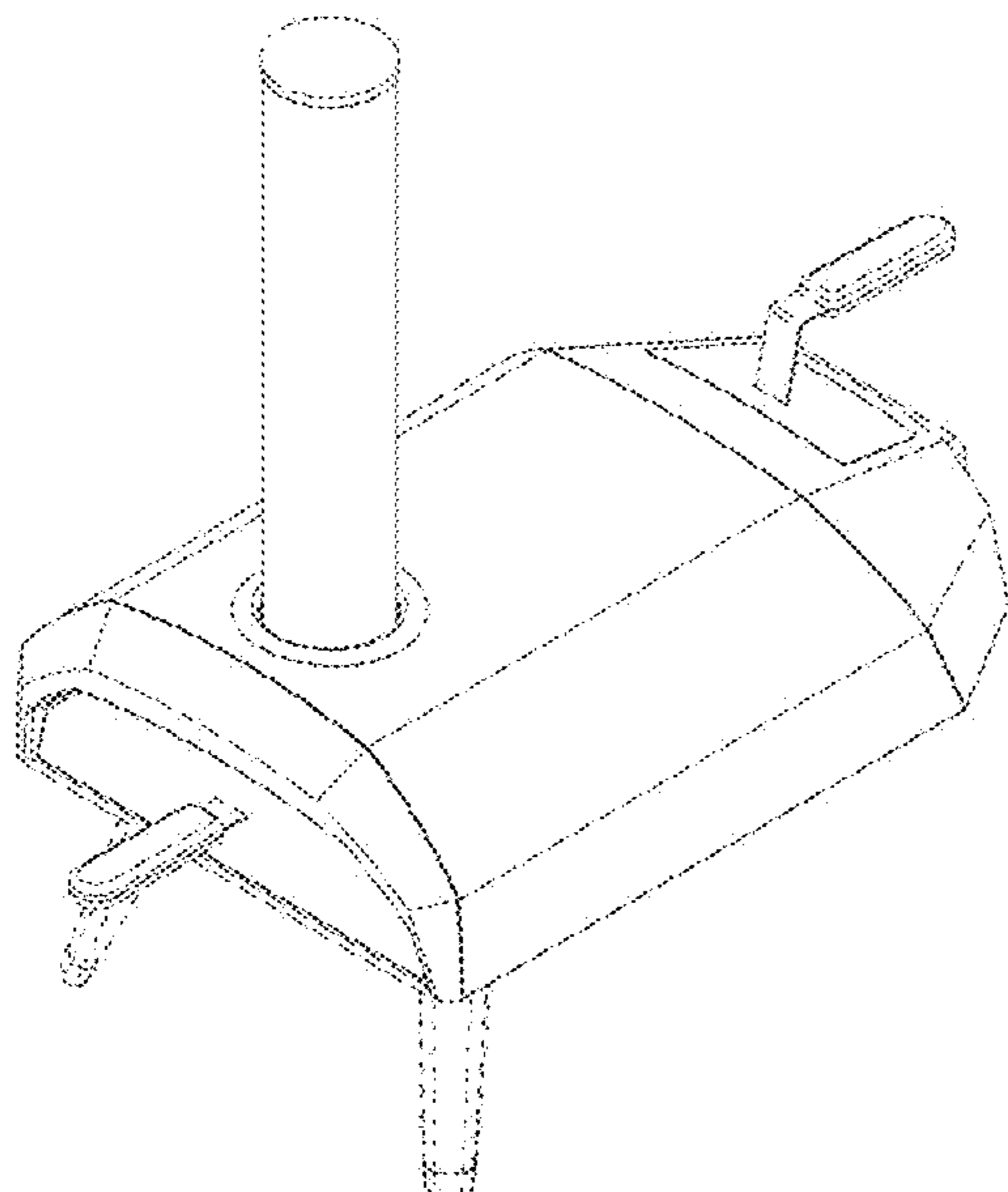
(57) **CLAIM**

The ornamental design for an oven, as shown and described.

**DESCRIPTION**

FIG. 1 is a top perspective view of a first embodiment of our new design for an oven;  
FIG. 2 is a left-side elevation view thereof;  
FIG. 3 is a right-side elevation view thereof;  
FIG. 4 is a top plan view thereof;  
FIG. 5 is a bottom plan view thereof;  
FIG. 6 is a front elevation view thereof;  
FIG. 7 is a rear elevation view thereof;  
FIG. 8 is a top perspective view of a second embodiment of our new design for an oven;  
FIG. 9 is a left-side elevation view thereof;  
FIG. 10 is a right-side elevation view thereof;  
FIG. 11 is a top plan view thereof;  
FIG. 12 is a bottom plan view thereof;  
FIG. 13 is a front elevation view thereof;  
FIG. 14 is a rear elevation view thereof;  
FIG. 15 is a top perspective view of a third embodiment of our new design for an oven;  
FIG. 16 is a left-side elevation view thereof;  
FIG. 17 is a right-side elevation view thereof;  
FIG. 18 is a top plan view thereof;  
FIG. 19 is a bottom plan view thereof;  
FIG. 20 is a front elevation view thereof; and,  
FIG. 21 is a rear elevation view thereof.  
The portions of the oven shown in broken line form no part of the claimed design.

**1 Claim, 21 Drawing Sheets**



(58) **Field of Classification Search**

USPC ..... D7/348, 362, 390, 402, 403, 405, 406;  
 D8/300, 301, 306, 307; D23/342, 343  
 CPC ... A21B 2/00; A47J 37/00; A47J 37/06; A47J  
 37/0611; A47J 37/0704; A47J 37/08;  
 A47J 37/0835; A47J 37/0842; A47J  
 37/0807; A47J 37/0814; A47J 37/085;  
 A47J 37/0864; A47J 37/0878; A47J  
 37/0885; A37J 37/0892; F24C 7/046;  
 F24C 7/002; F24C 7/067; F24C 15/02;  
 F24C 15/04; F24C 15/10; F24C 15/102  
 See application file for complete search history.

(56) **References Cited**

U.S. PATENT DOCUMENTS

D247,507 S \* 3/1978 Ramacher, Jr. .... D23/343  
 D251,385 S \* 3/1979 Zimmer ..... D23/343  
 D262,595 S \* 1/1982 Martenson ..... D7/337  
 D267,035 S \* 11/1982 Jinsky ..... D23/343  
 D270,087 S \* 8/1983 Yarwood ..... D23/343  
 D271,175 S \* 11/1983 Salzmann ..... D7/350.4  
 D275,516 S \* 9/1984 Perrin, Sr. .... D23/343  
 D280,967 S \* 10/1985 Wrighton ..... D7/339  
 D288,356 S \* 2/1987 McKinney ..... D23/343  
 D359,115 S \* 6/1995 Schroeter ..... D23/343  
 5,947,105 A \* 9/1999 Scott ..... F24B 1/202  
 29/403.1  
 D547,111 S \* 7/2007 Loyd ..... D7/348  
 D642,855 S \* 8/2011 de Paula ..... D7/333  
 D650,220 S \* 12/2011 Miller ..... D7/402  
 D650,221 S \* 12/2011 Miller ..... D7/402  
 D650,223 S \* 12/2011 Miller ..... D7/402  
 D688,507 S \* 8/2013 Hill ..... D7/323  
 D693,166 S \* 11/2013 Measom ..... D7/350.1  
 D715,084 S \* 10/2014 Hill ..... D7/332  
 9,155,416 B1 \* 10/2015 Kuhl ..... A47J 37/0704  
 D775,489 S \* 1/2017 Zemel ..... D7/332  
 D804,871 S \* 12/2017 Price ..... D6/699.2  
 9,907,435 B2 \* 3/2018 Kohler ..... F24B 1/207  
 D820,026 S \* 6/2018 Russo Krauss ..... D7/339  
 D845,055 S \* 4/2019 Goodwin ..... D7/323  
 D845,695 S \* 4/2019 Wu ..... D7/334  
 D849,908 S \* 5/2019 Wu ..... D23/343  
 D853,774 S \* 7/2019 Tapaninaho ..... D7/339  
 D862,969 S \* 10/2019 Tapaninaho ..... D7/339  
 D887,767 S \* 6/2020 Huang ..... D7/323  
 D889,898 S \* 7/2020 Juli Soler ..... D7/348  
 D909,117 S \* 2/2021 Huang ..... D7/362

10,941,945 B2 \* 3/2021 Tapaninaho ..... F24B 5/06  
 D925,962 S \* 7/2021 Tapaninaho ..... D7/332  
 D929,170 S \* 8/2021 Wu ..... D7/348  
 D931,029 S \* 9/2021 Gozney ..... D7/332  
 D938,003 S \* 12/2021 Ming ..... D23/343  
 D942,796 S \* 2/2022 Jiang ..... D7/339  
 11,253,103 B2 \* 2/2022 Stitt ..... A47J 37/0763  
 2002/0017290 A1 \* 2/2002 Hines, Jr. .... A47J 37/0786  
 126/41 R  
 2007/0119445 A1 \* 5/2007 Wen ..... A47J 36/26  
 126/25 AA  
 2010/0059038 A1 \* 3/2010 Ho ..... A47J 37/0763  
 126/25 R  
 2014/0014086 A1 \* 1/2014 Case ..... A47J 37/0759  
 126/19 R  
 2014/0311355 A1 \* 10/2014 Hegarty ..... F24C 15/14  
 126/39 J  
 2015/0047512 A1 \* 2/2015 Marra ..... F24B 1/22  
 99/339  
 2015/0233585 A1 \* 8/2015 Creel ..... F24B 1/22  
 29/428  
 2018/0195732 A1 \* 7/2018 Drummond ..... A47J 37/0704  
 2018/0213973 A1 \* 8/2018 Tapaninaho ..... A47J 37/0763  
 2019/0049117 A1 \* 2/2019 Tapaninaho ..... A47J 37/0704  
 2020/0318890 A1 \* 10/2020 Hanning ..... F24C 15/16  
 2021/0076874 A1 \* 3/2021 Tapaninaho ..... F24B 1/24

FOREIGN PATENT DOCUMENTS

CA 197149 \* 3/2022  
 CA 209688 \* 3/2022  
 CN 304244099 \* 8/2017  
 CN 306295454 \* 1/2021  
 CN 306557443 \* 5/2021  
 CN 307052889 \* 1/2022  
 CN 307452031 \* 7/2022  
 GB 6059882 \* 5/2019  
 GB 6132296 \* 4/2021  
 GB 6192752 \* 2/2022  
 GB 6192753 \* 2/2022  
 IE 23259-0001 \* 5/2021

OTHER PUBLICATIONS

Big Horn [online] URL: <https://www.amazon.com/BIG-HORN-OUTDOORS-Portable-Stainless/dp/B08T9HMMWC> (site visited: Mar. 15, 2022) (Year: 2021).\*  
 Stoke [online] URL: <https://www.amazon.com/dp/B09HCR7RM9> (site visited: Mar. 15, 2022) (Year: 2021).\*

\* cited by examiner

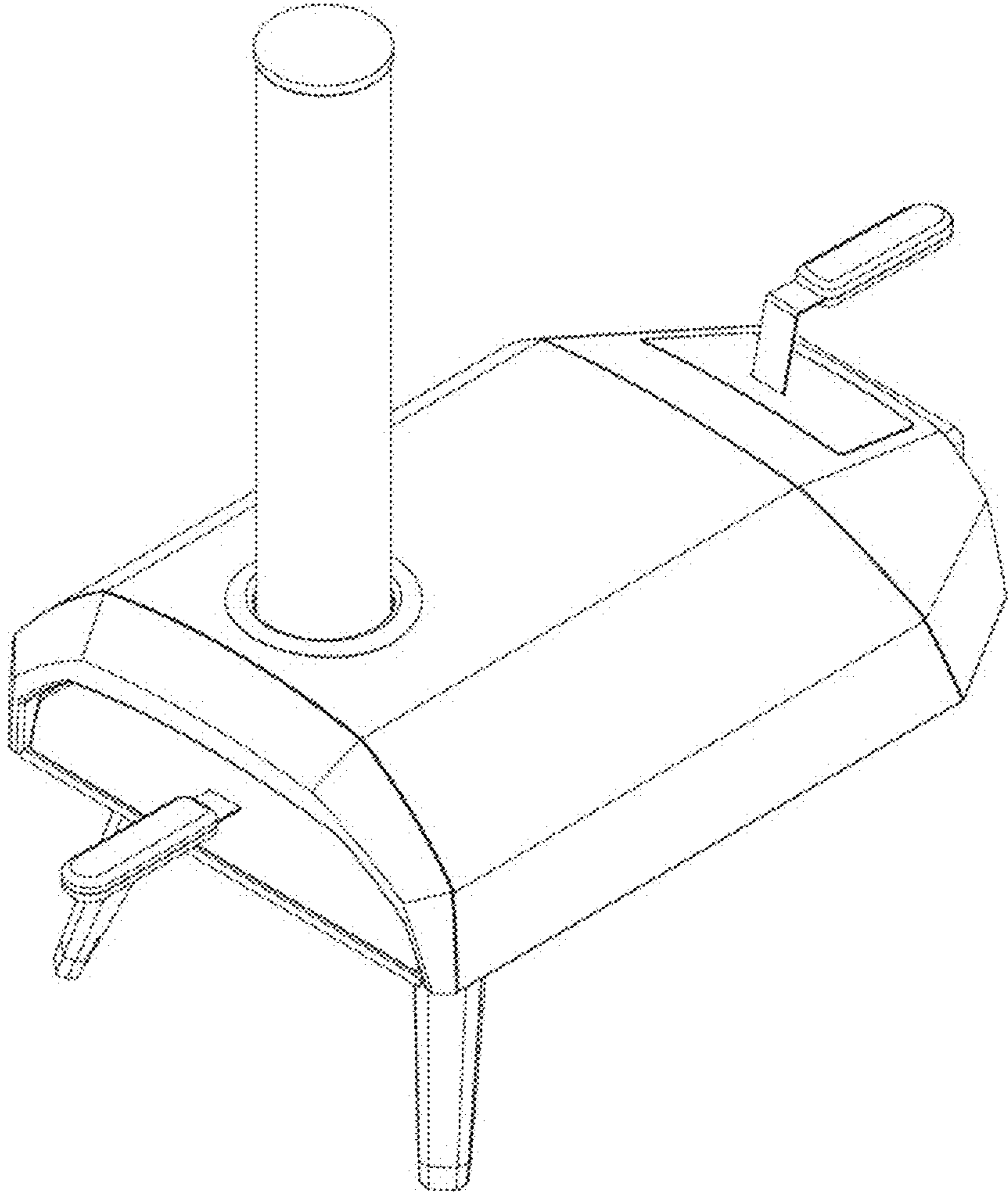


FIG. 1

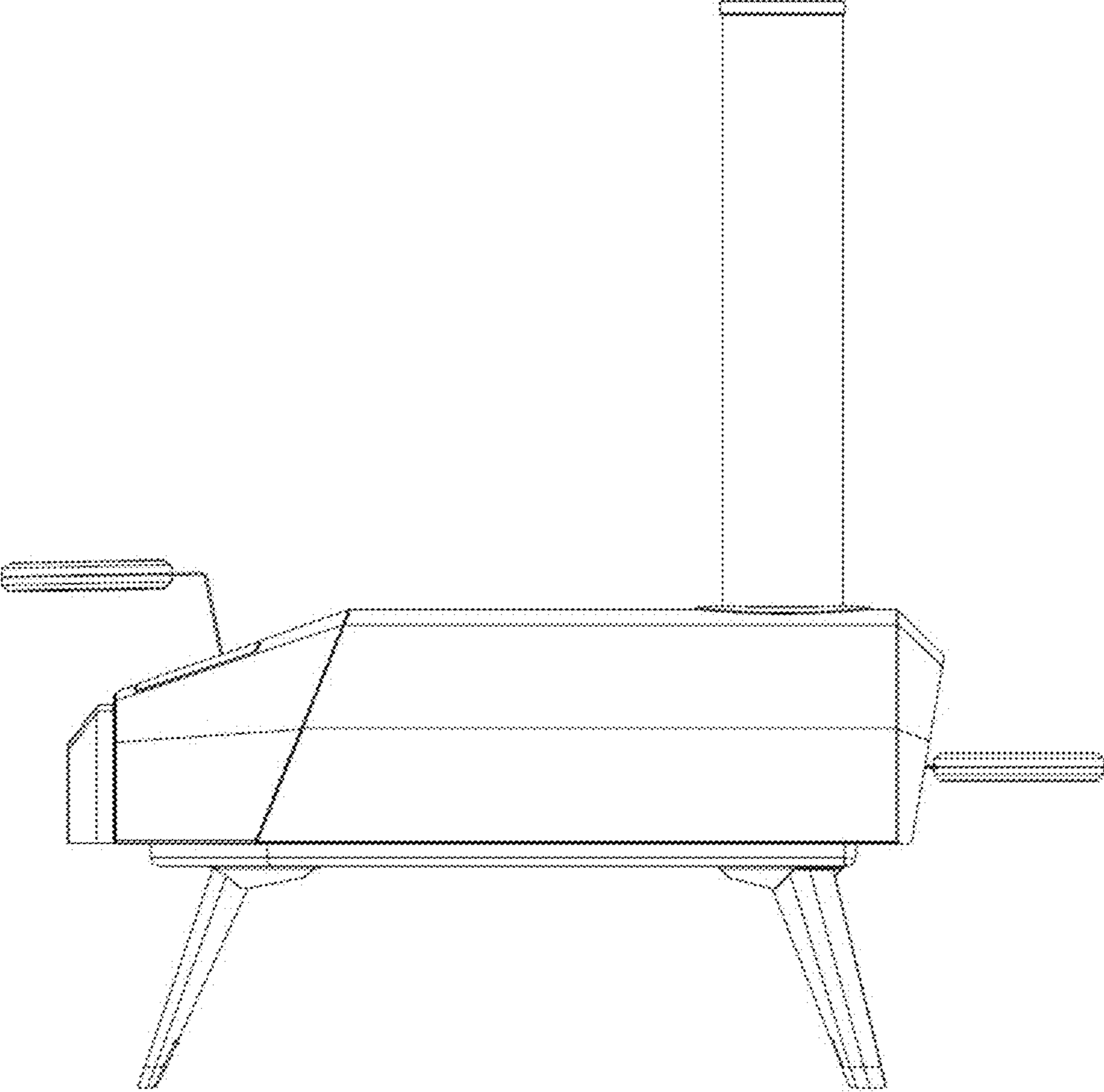


FIG. 2

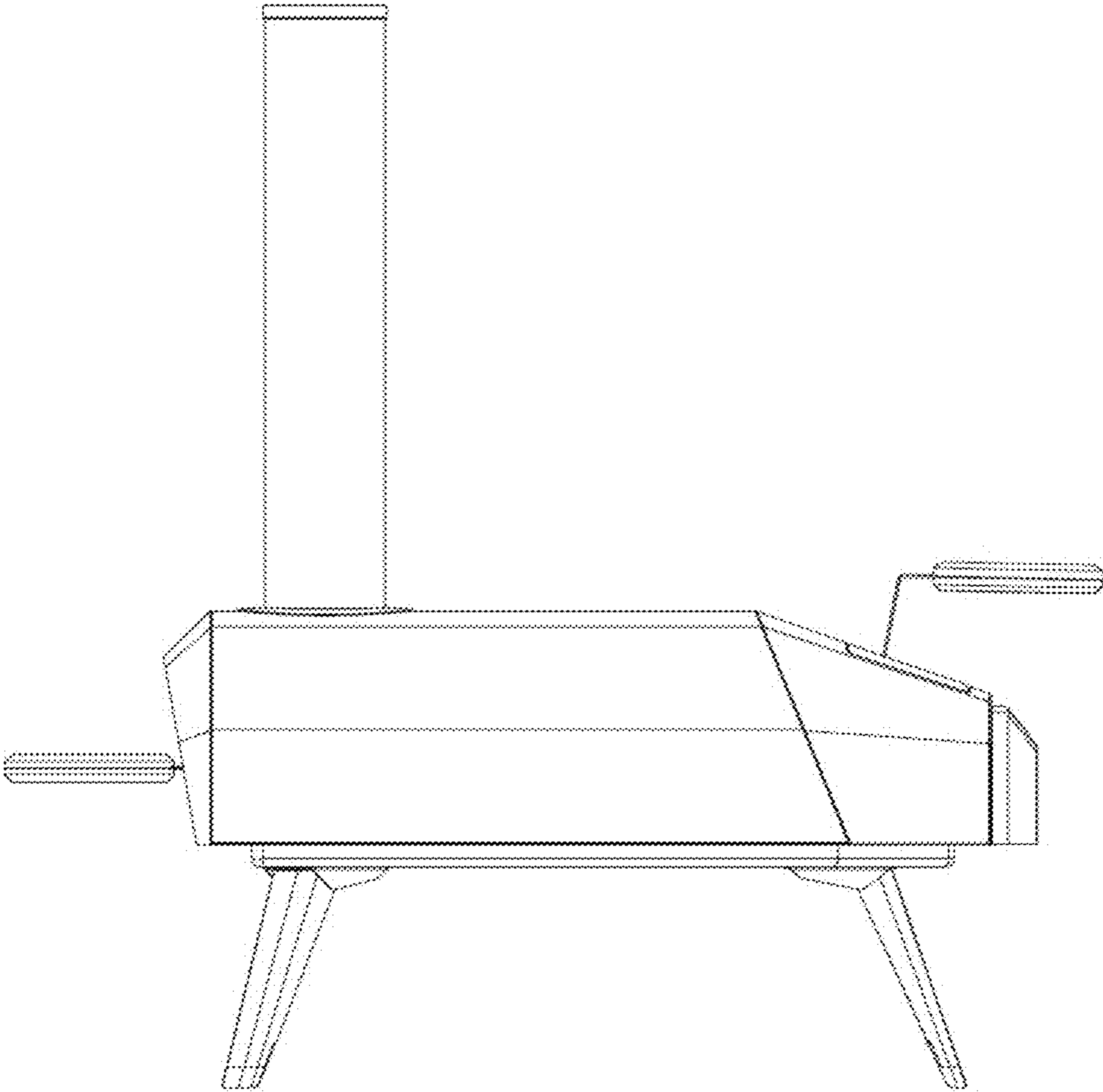


FIG. 3

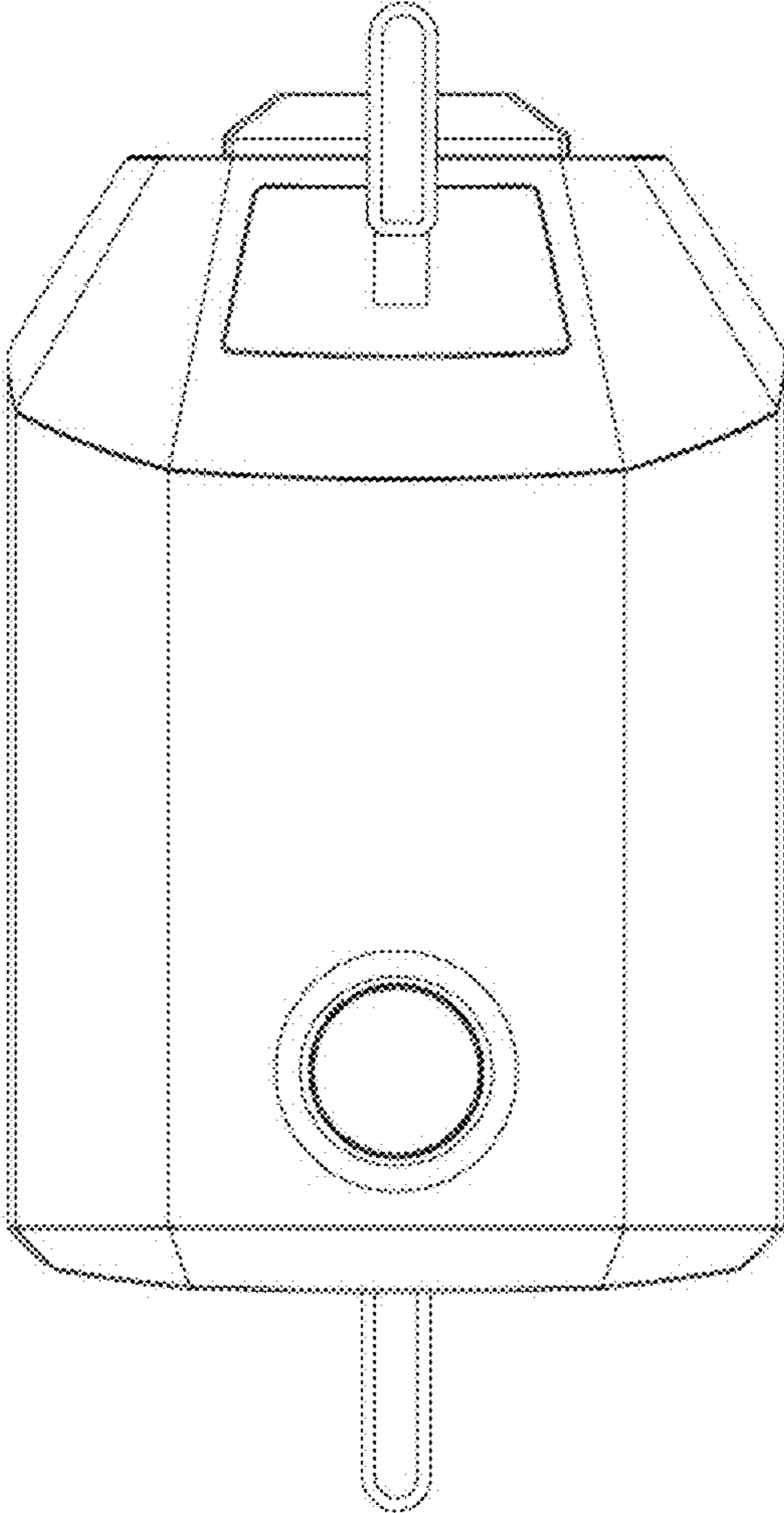


FIG. 4

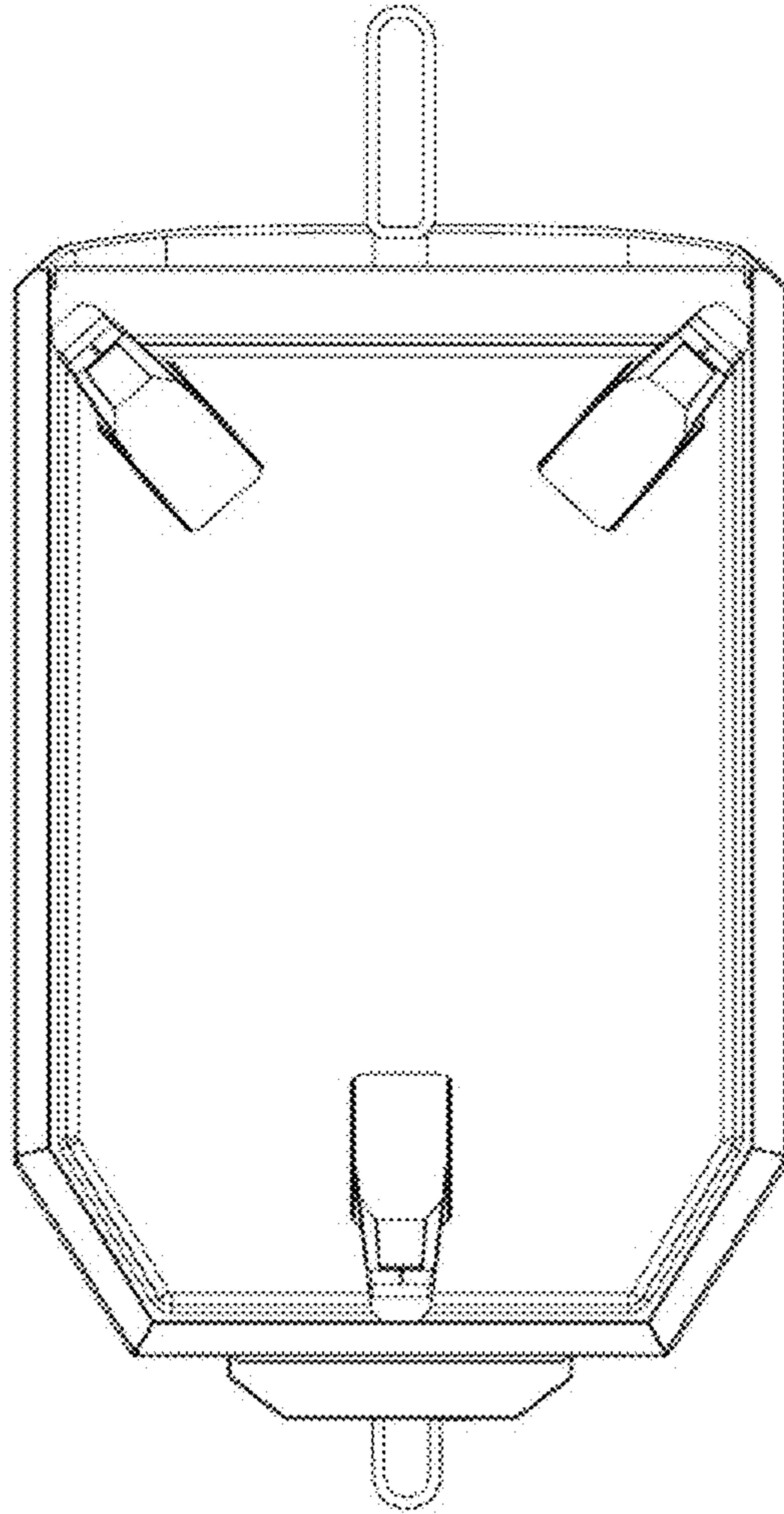


FIG. 5

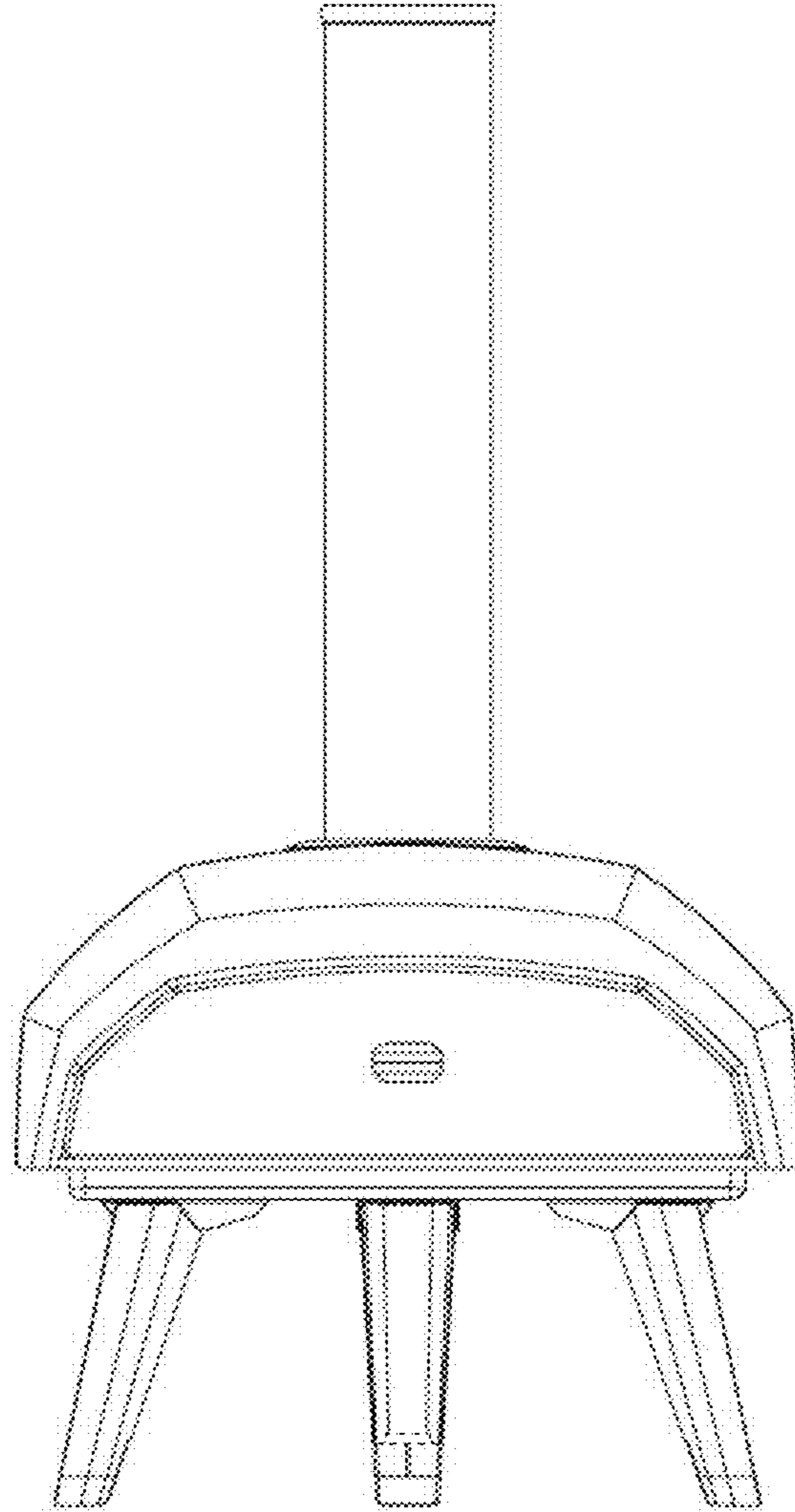


FIG. 6



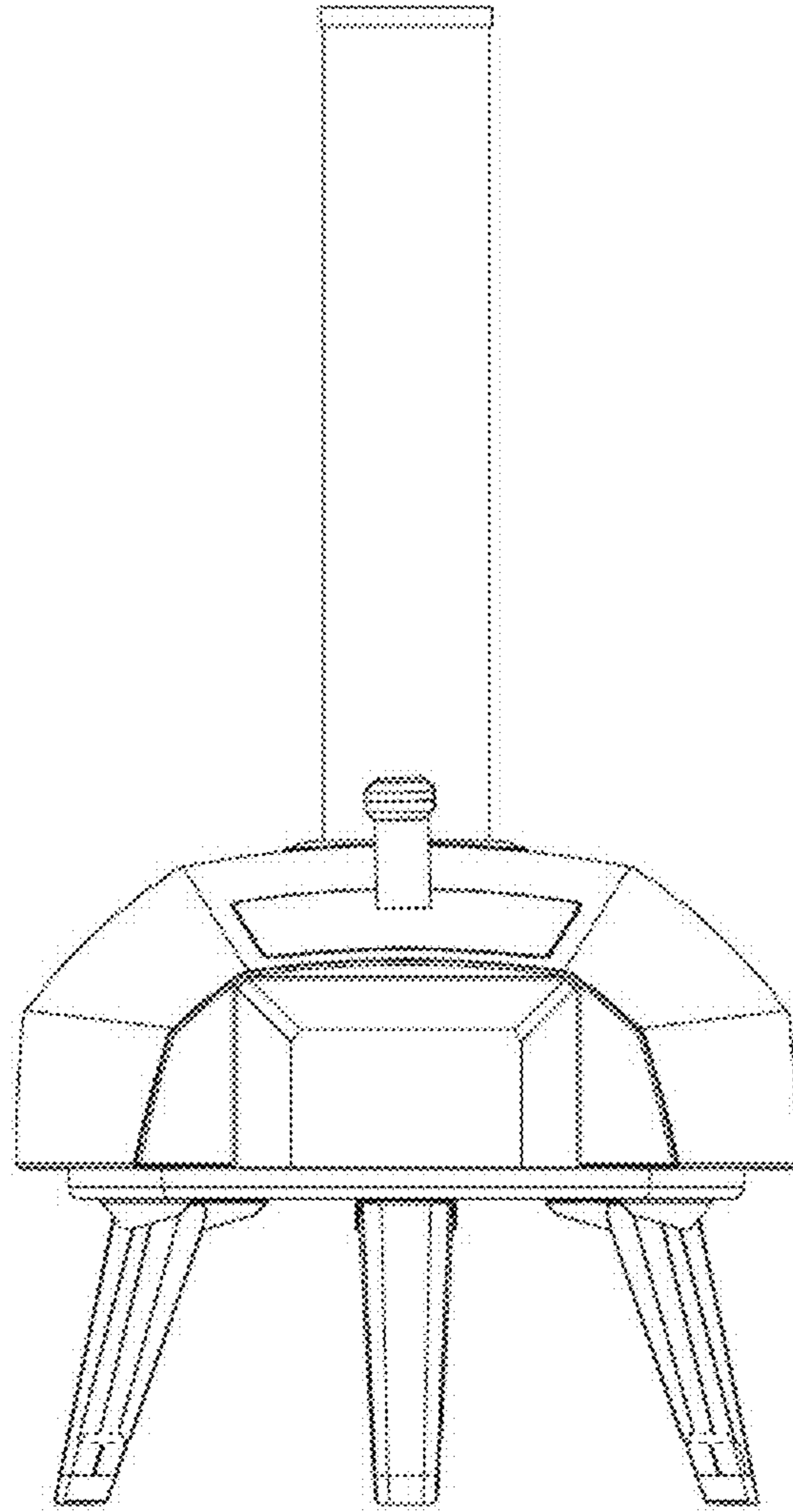


FIG. 7

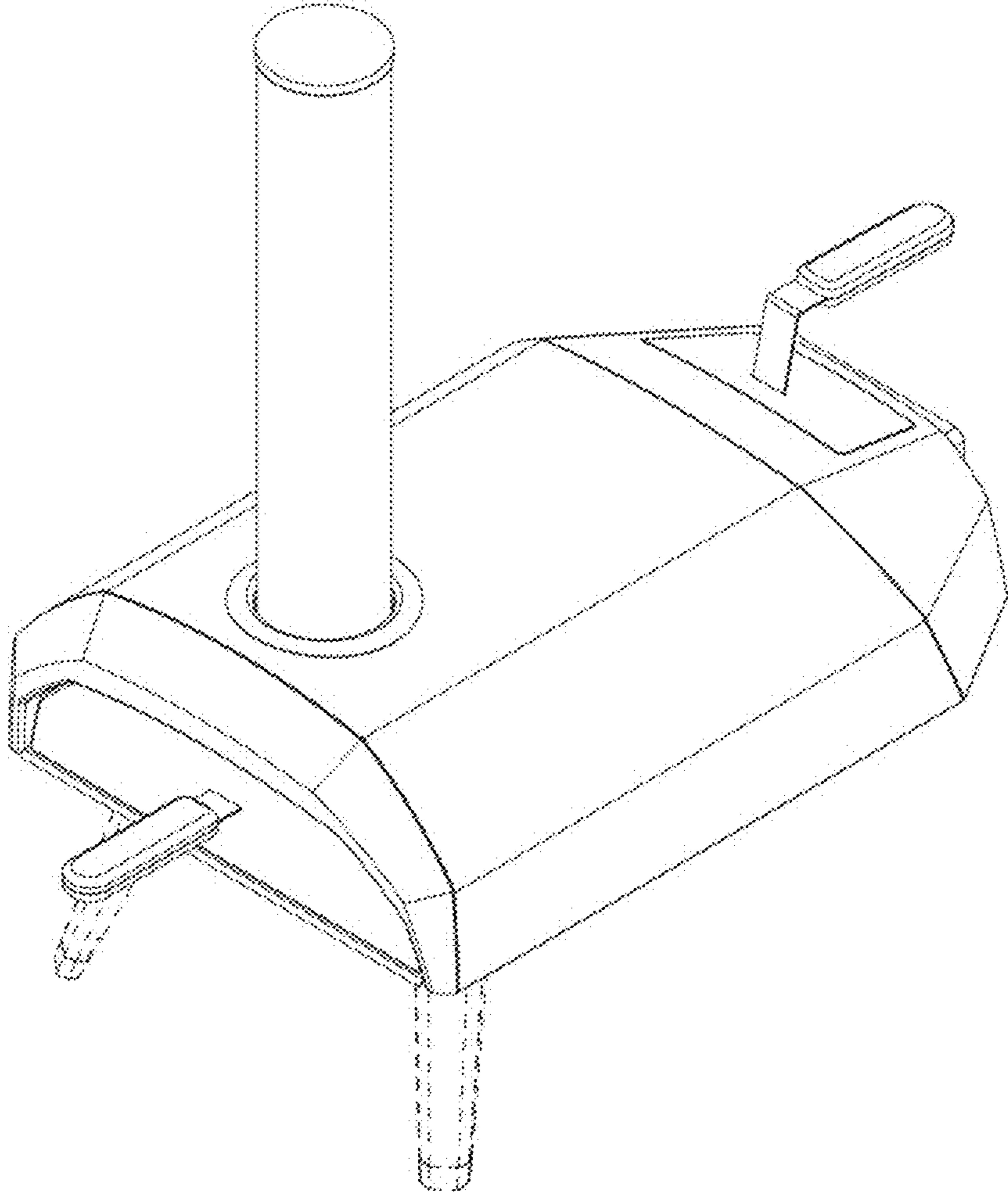


FIG. 8

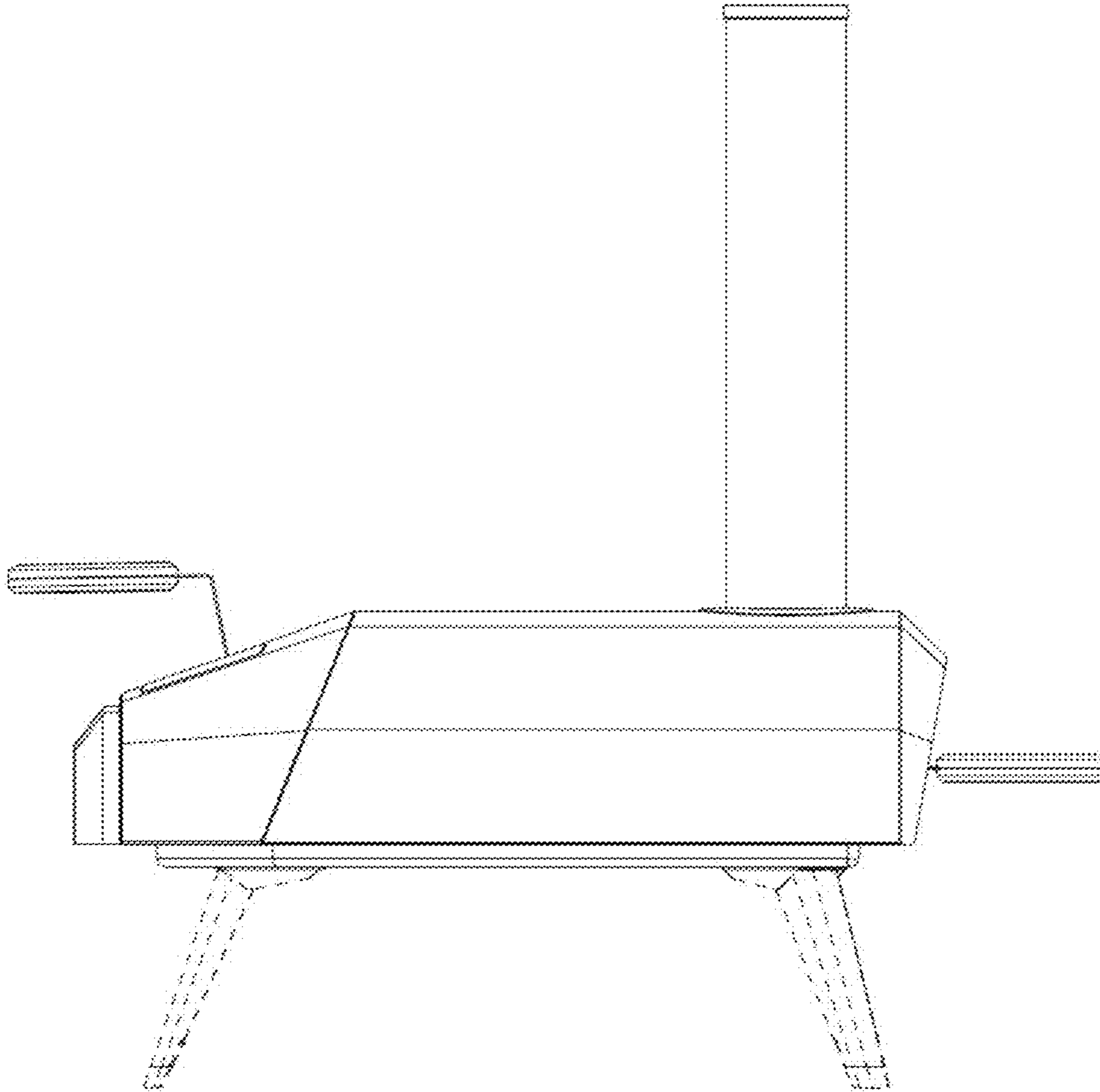


FIG. 9

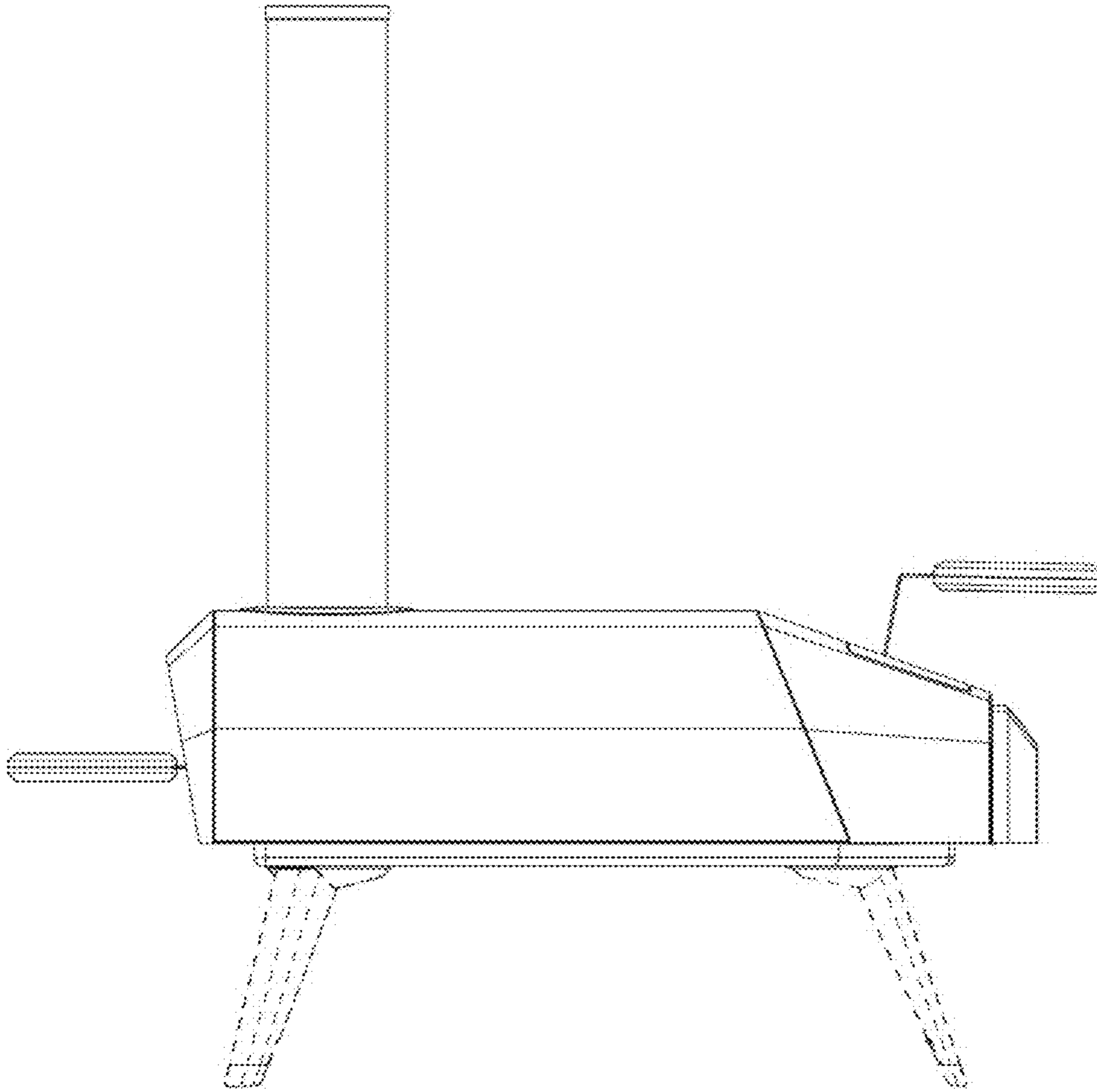


FIG. 10

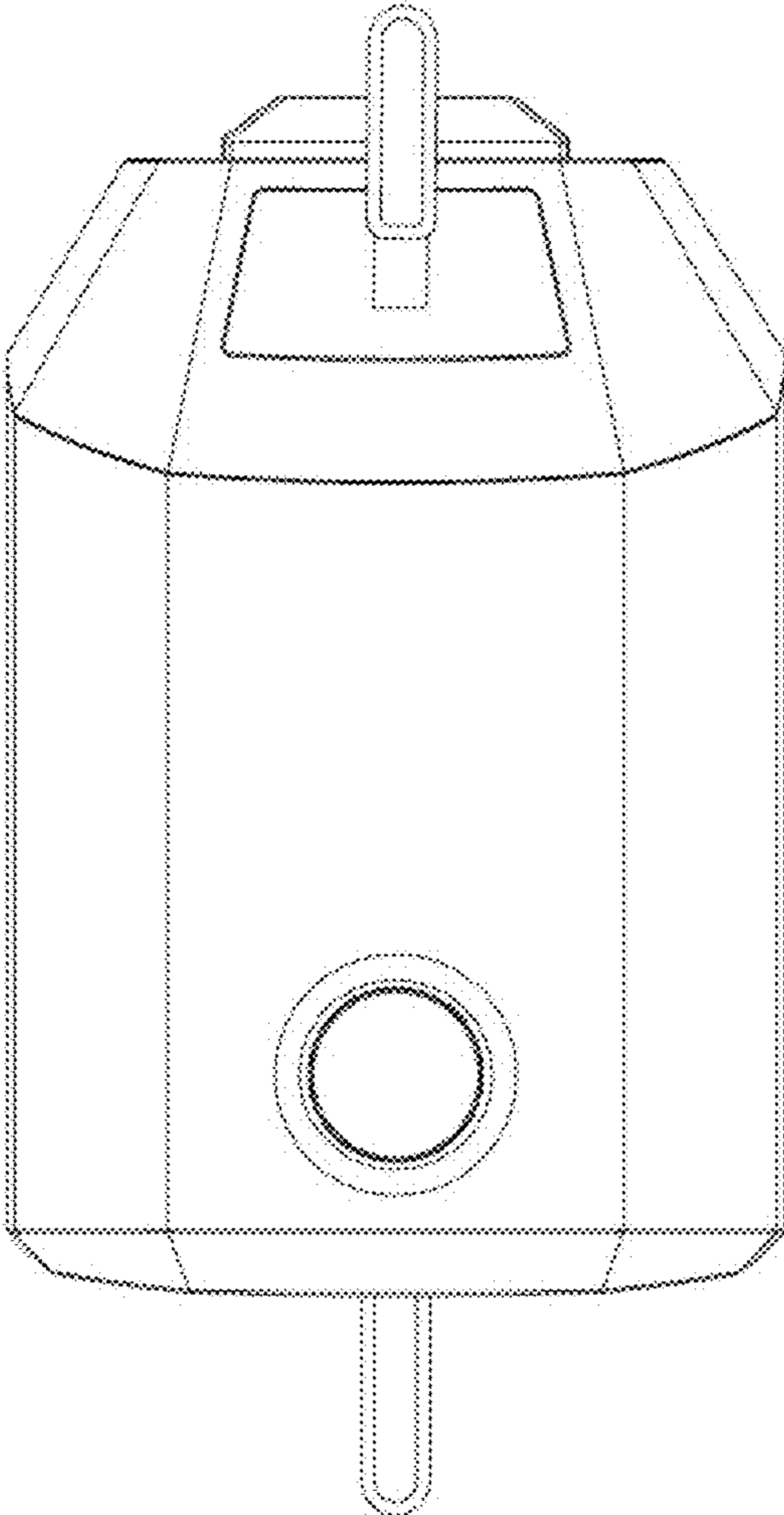


FIG. 11

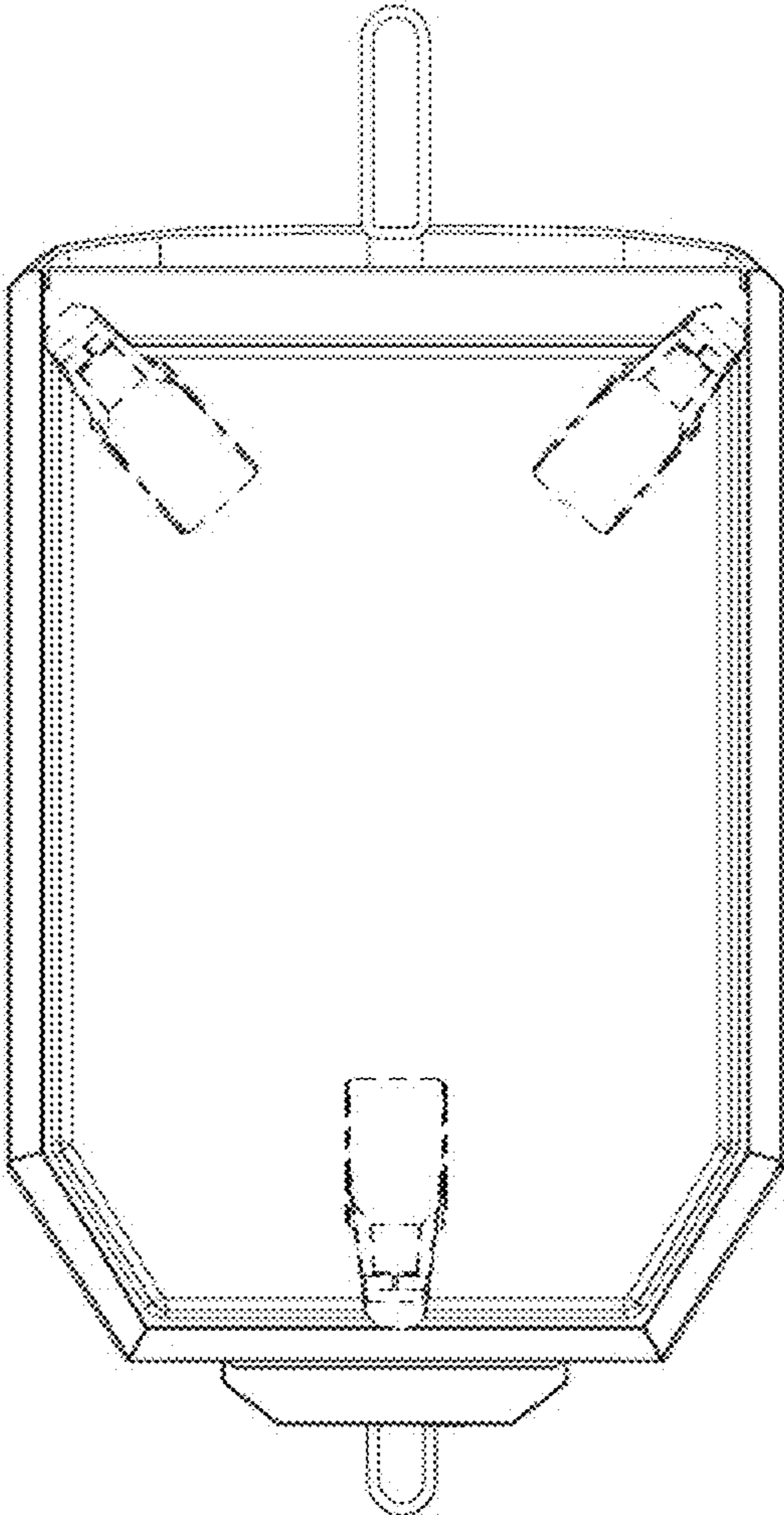


FIG. 12

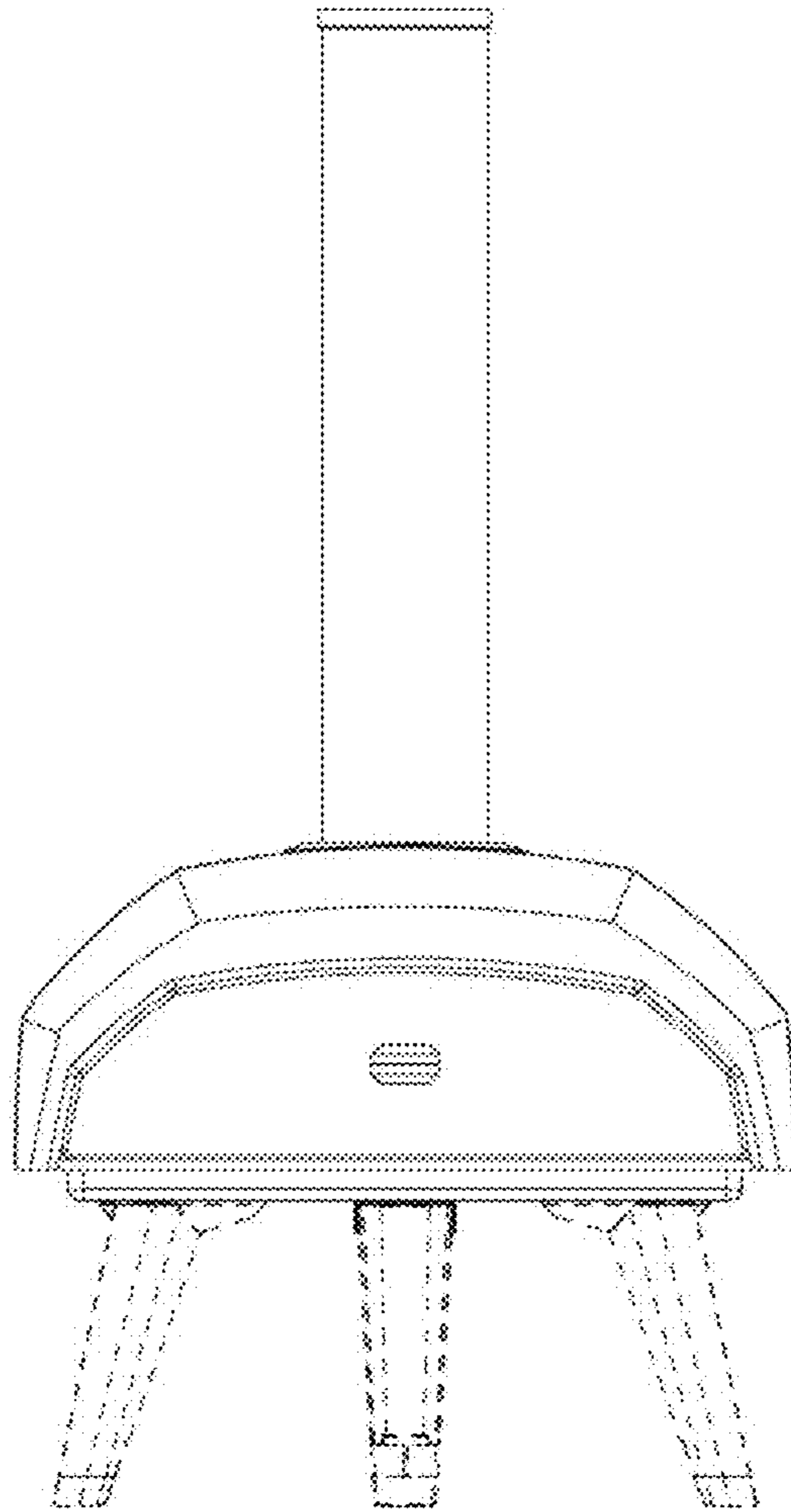


FIG. 13

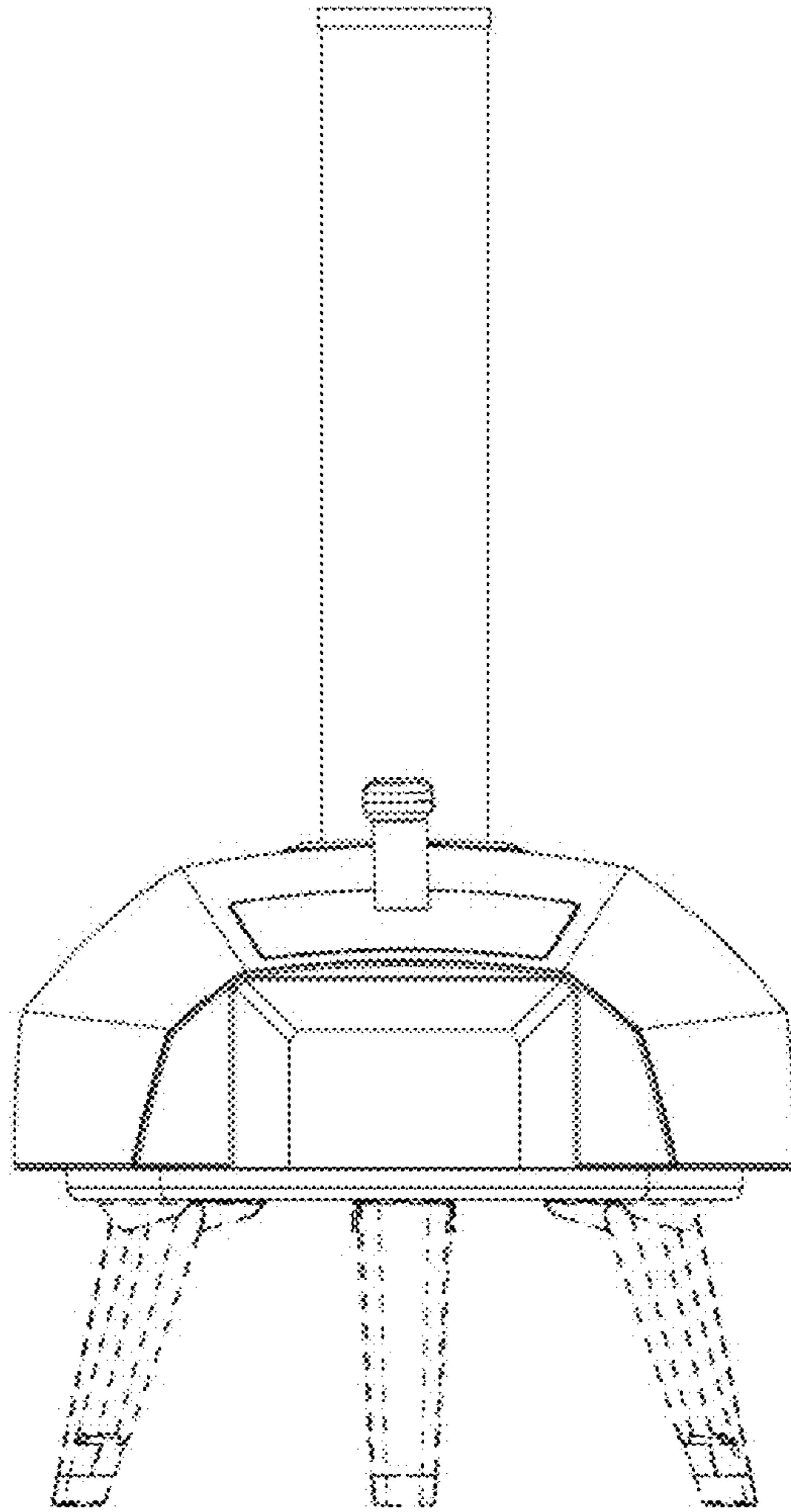


FIG. 14



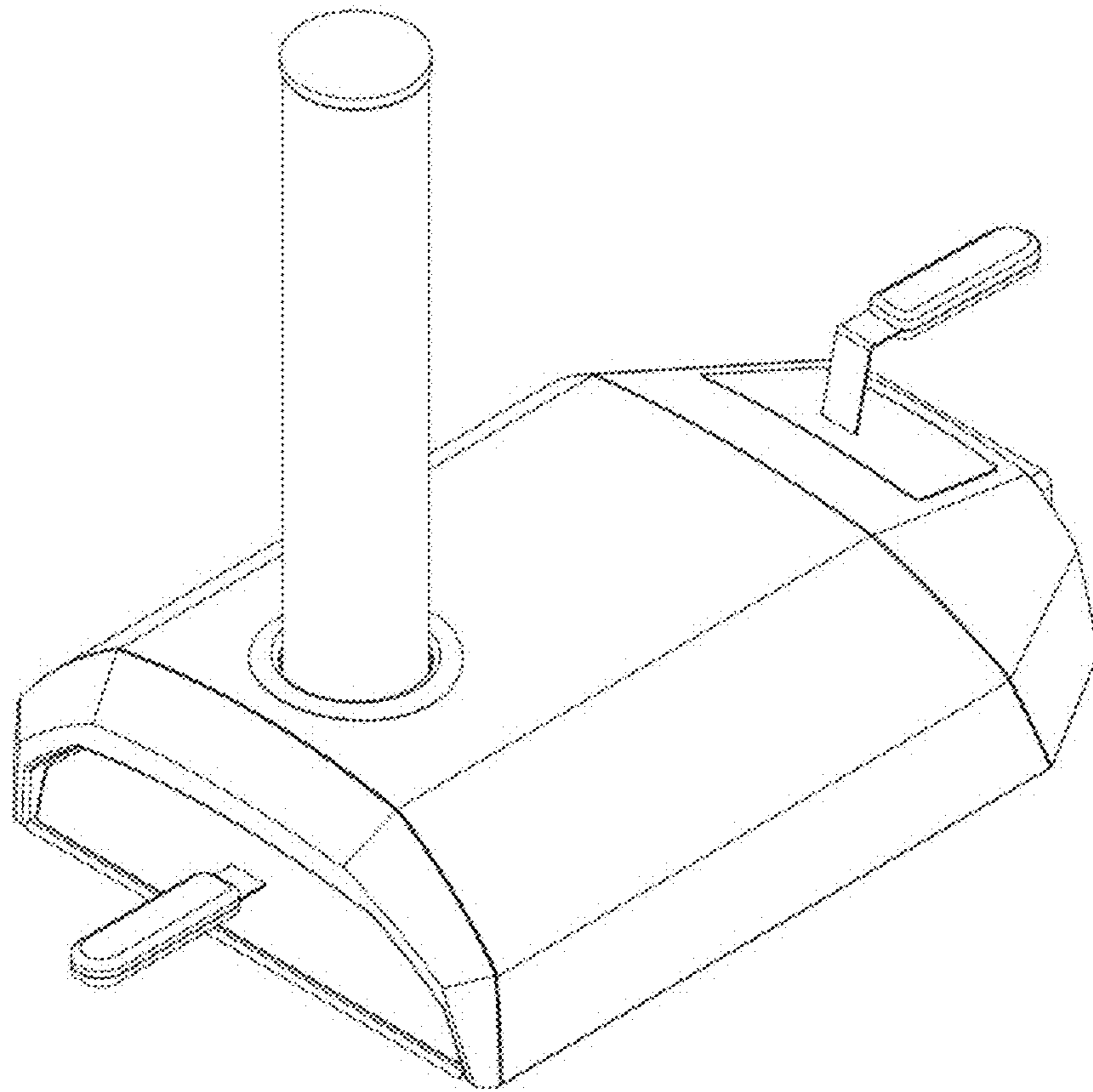


FIG. 15

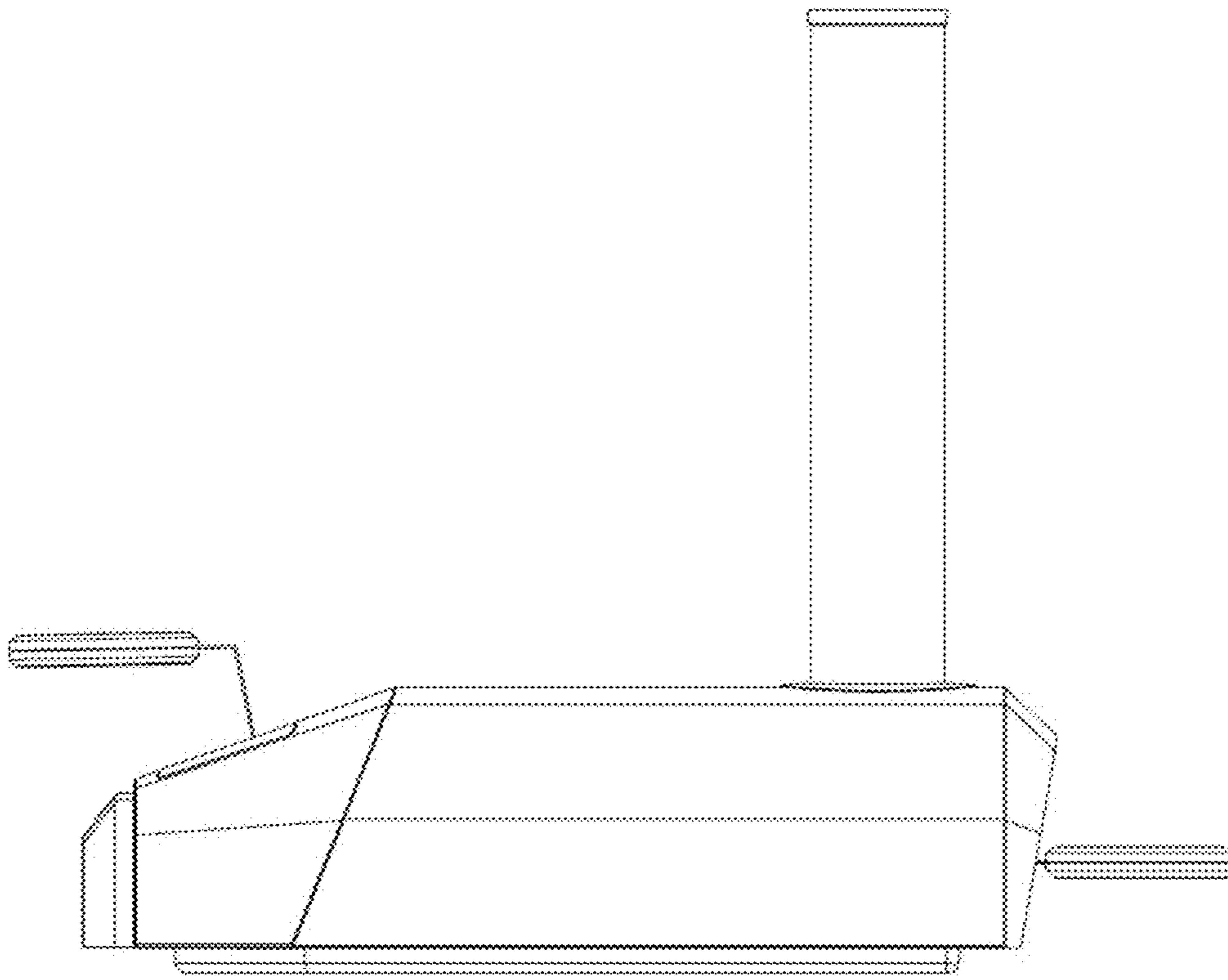


FIG. 16

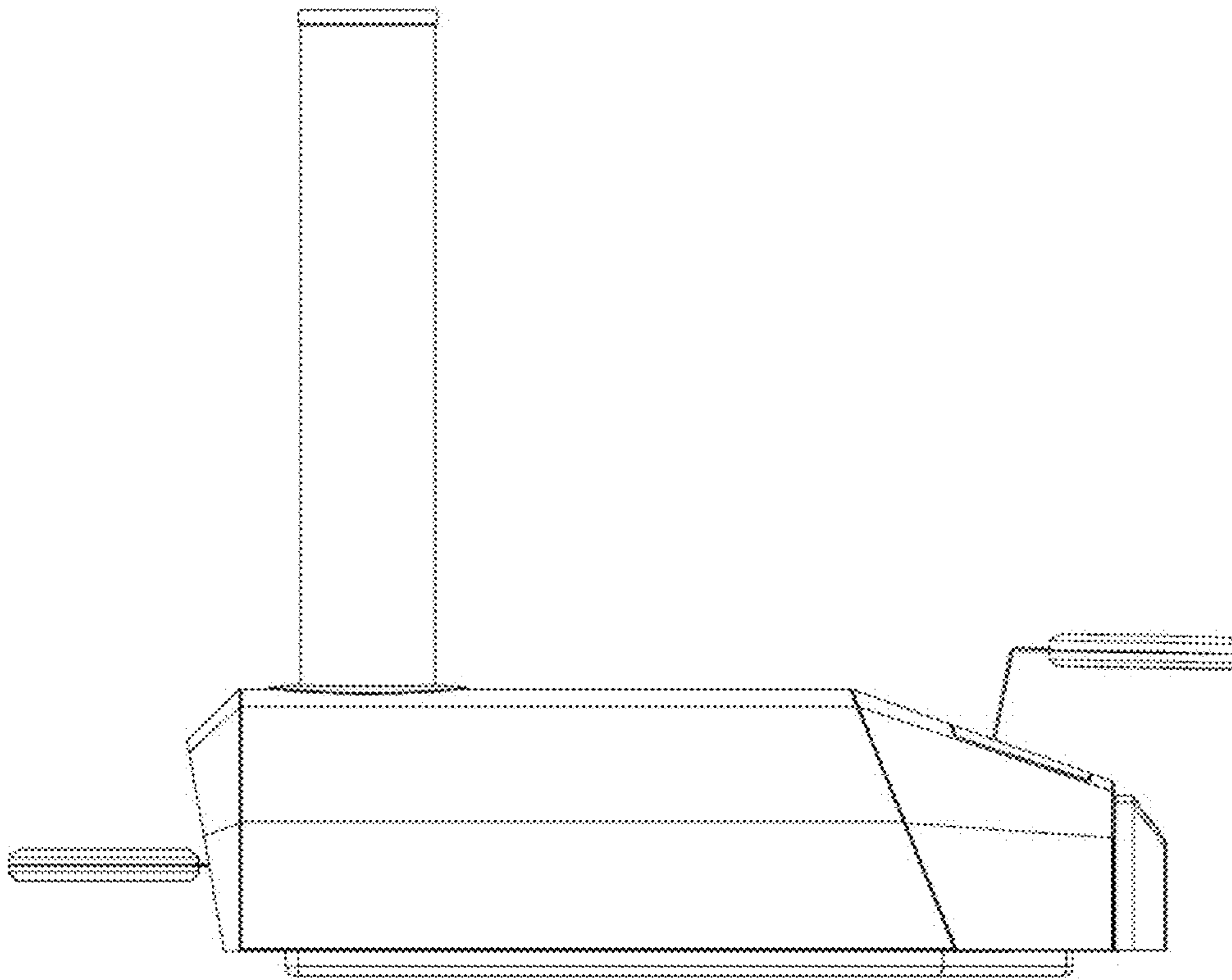


FIG. 17

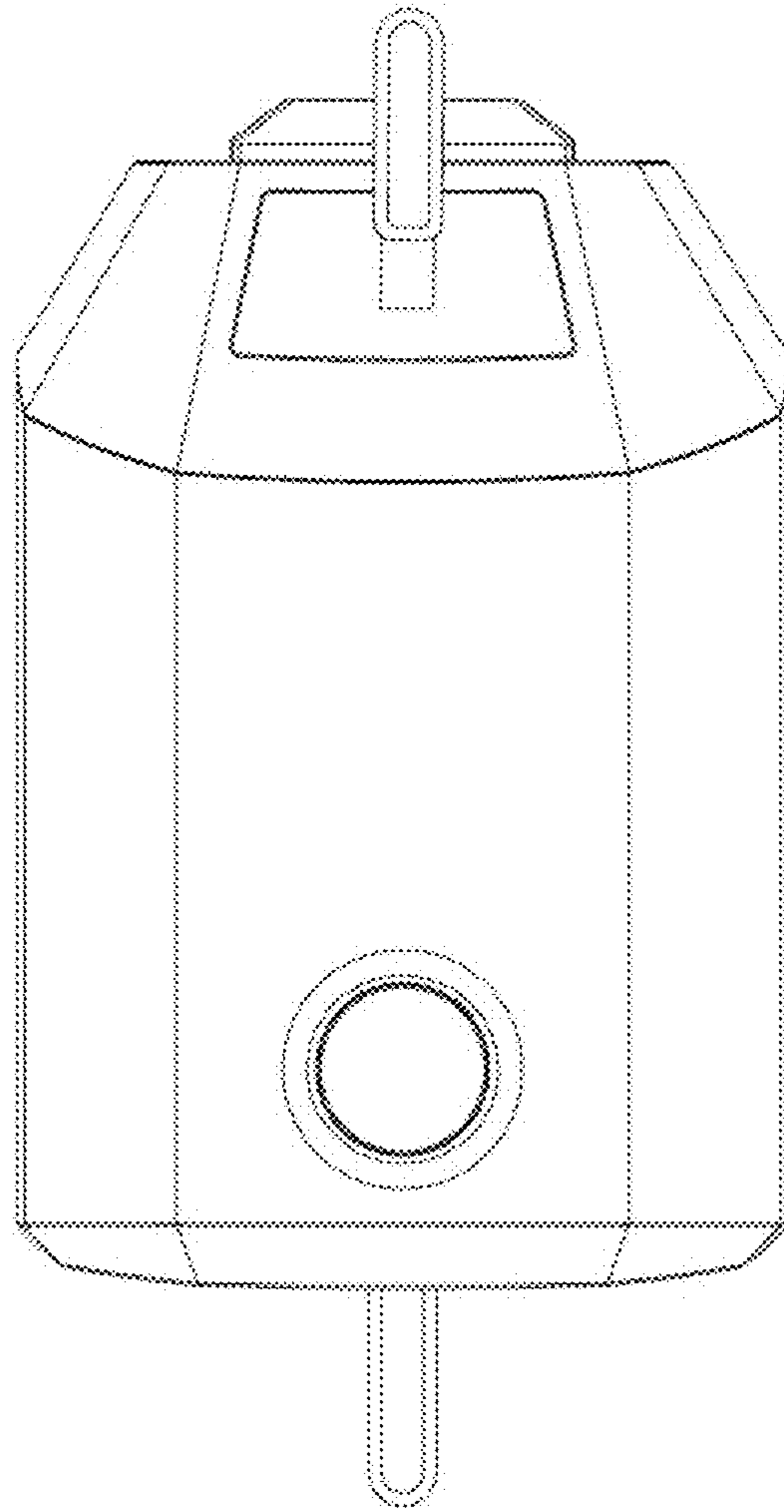


FIG. 18

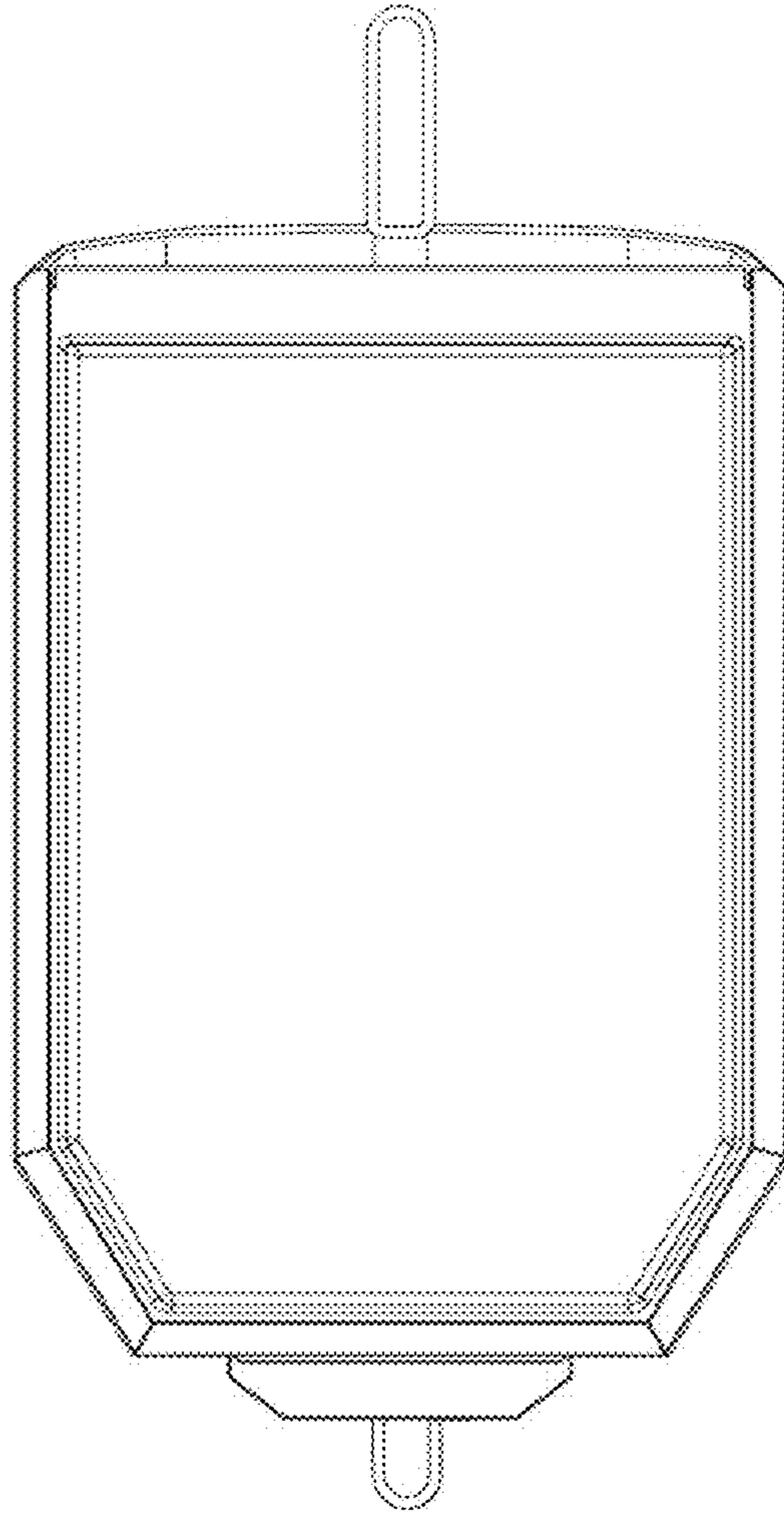


FIG. 19

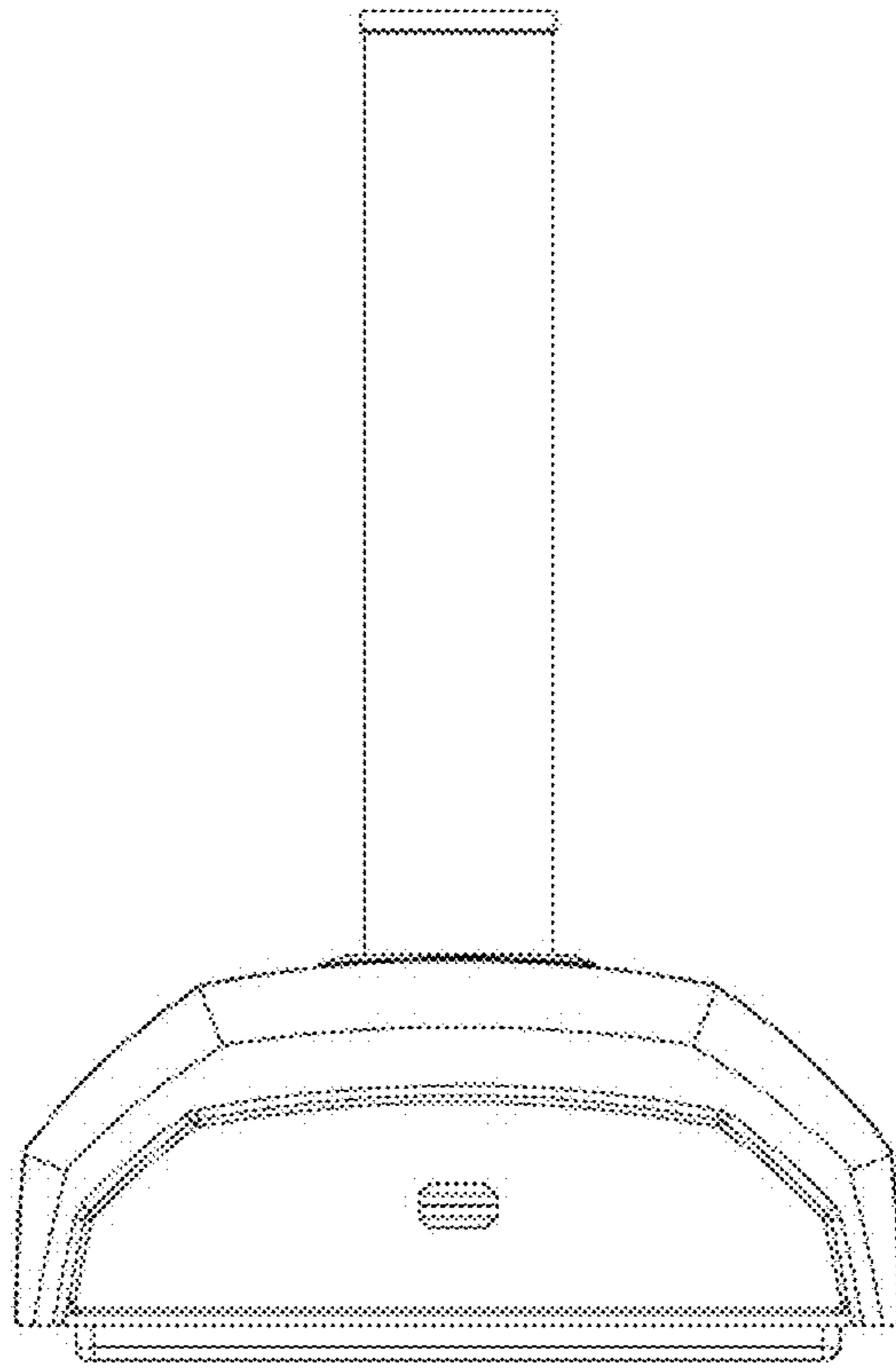


FIG. 20

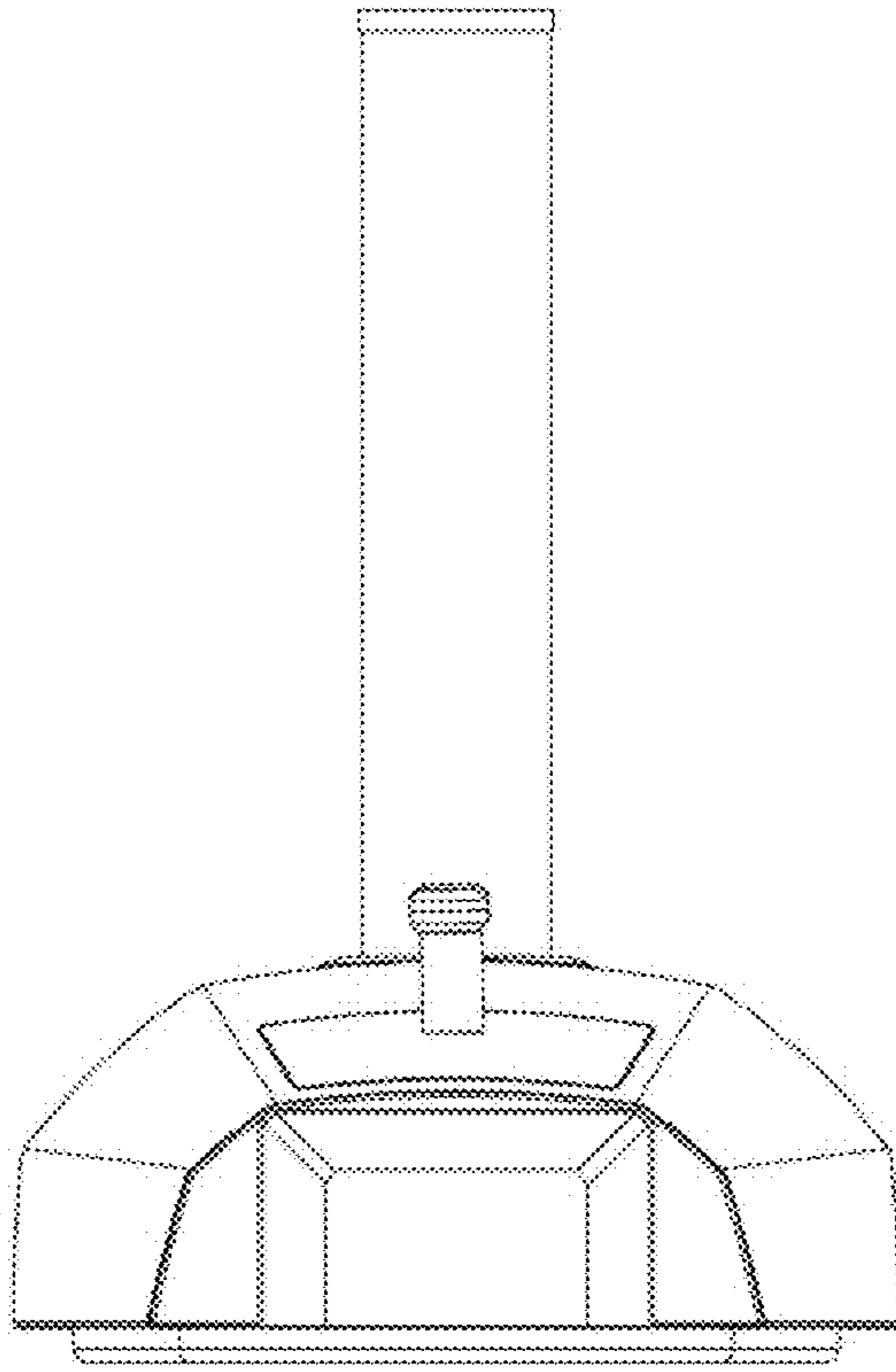


FIG. 21