



US00D977895S

(12) **United States Design Patent** (10) **Patent No.:** **US D977,895 S**  
**Dahle et al.** (45) **Date of Patent:** **\*\* Feb. 14, 2023**

(54) **OUTDOOR COOKING STATION**  
(71) Applicant: **North Atlantic Imports, LLC**, Logan, UT (US)  
(72) Inventors: **Roger Dahle**, Providence, UT (US); **Steve L. Puertas**, Wellsville, UT (US); **Jeff D. Clark**, Logan, UT (US)  
(73) Assignee: **North Atlantic Imports, LLC**, Logan, UT (US)

D554,914 S \* 11/2007 Thompson ..... D6/709  
D636,217 S \* 4/2011 Slater ..... D7/334  
D662,736 S \* 7/2012 Peery ..... D6/709.2  
D687,668 S \* 8/2013 Chung ..... D7/334  
D708,001 S 7/2014 Measom et al.  
D724,714 S 3/2015 Benson et al.  
D748,423 S \* 2/2016 Chiang ..... D7/334  
D773,229 S \* 12/2016 Jaggard ..... D7/334  
D818,758 S \* 5/2018 Witsch ..... D7/334  
D825,975 S \* 8/2018 Jaggard ..... D7/334  
D829,035 S 9/2018 Measom et al.  
D829,049 S 9/2018 Measom et al.

(Continued)

(\*\*) Term: **15 Years**

(21) Appl. No.: **29/672,455**  
(22) Filed: **Dec. 5, 2018**  
(51) **LOC (14) Cl.** ..... **07-02**  
(52) **U.S. Cl.**  
USPC ..... **D7/334**  
(58) **Field of Classification Search**  
USPC ..... D7/323, 332, 334, 362, 363, 402, 403;  
D6/685, 687, 709, 709.2, 712; D30/199  
CPC .... A47J 37/07; A47J 2037/0777; A47J 36/26;  
A47J 37/0781; F24C 1/16; F24C 3/14  
See application file for complete search history.

**OTHER PUBLICATIONS**

HiHydro 6 Types Pet Wheelchair| posted at Amazon.com, posted on Jan. 15, 2018, © 1996-2021 Amazon.com, [online], [site visited Jul. 30, 2021]. Available from Internet, <URL: <https://www.amazon.com/HiHydro-Wheelchair-Handicapped-Doggie-Stainless/dp/B0792S1JPR/>> (Year: 2018).\*

*Primary Examiner* — Andrew Kerr  
(74) *Attorney, Agent, or Firm* — David L. Stott

(57) **CLAIM**

The ornamental design for legs for an outdoor cooking station, as shown and described.

(56) **References Cited**

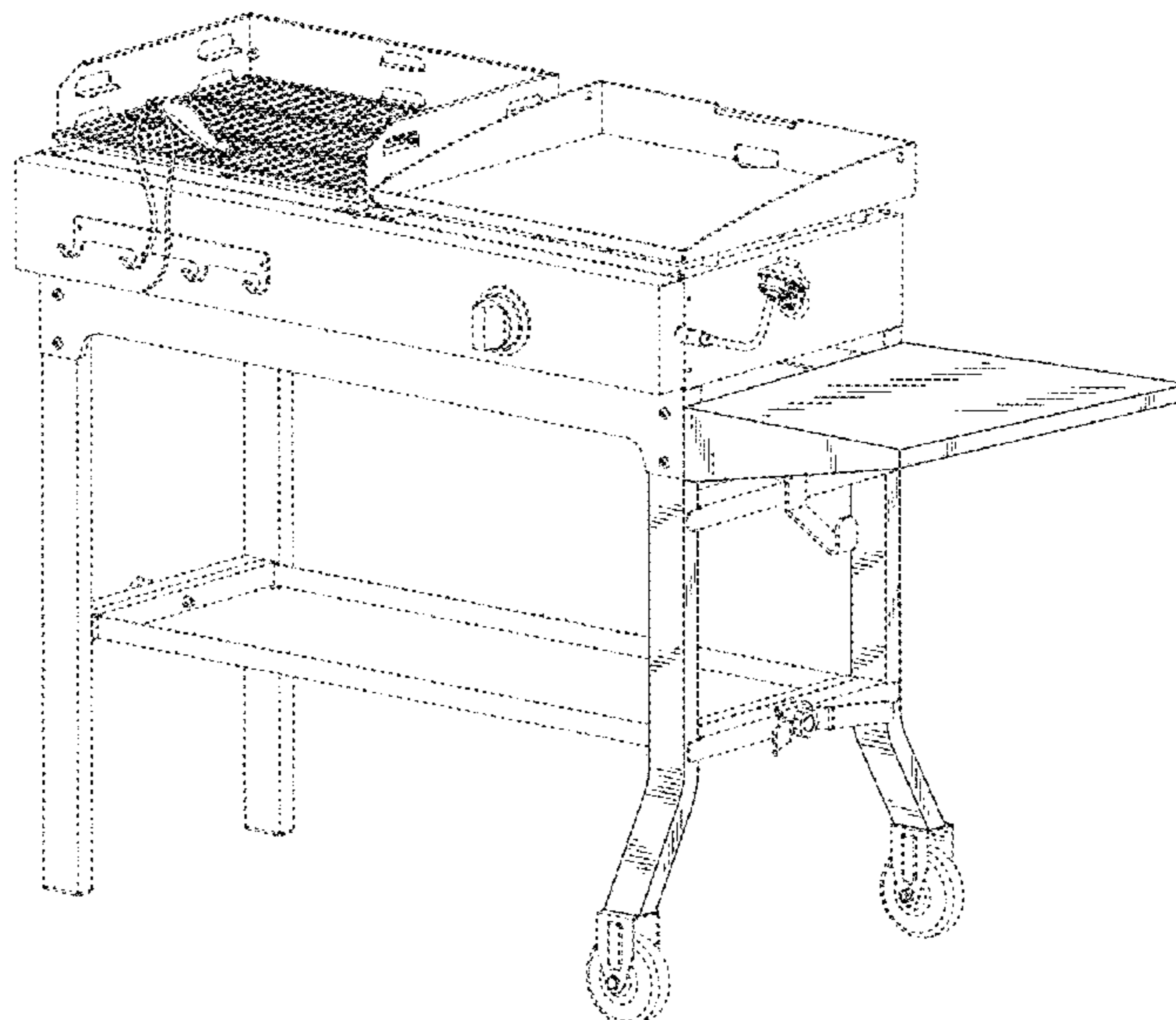
**U.S. PATENT DOCUMENTS**

2,923,229 A \* 2/1960 Halford ..... A47J 37/0718  
126/299 C  
4,886,045 A \* 12/1989 Ducate, Jr. .... A47J 37/0713  
126/41 R  
5,189,945 A 3/1993 Hennick  
6,189,528 B1 2/2001 Oliver  
6,324,998 B1 12/2001 Alden et al.  
D465,123 S \* 11/2002 Coleman ..... D7/334  
D476,823 S \* 7/2003 Jackson ..... D6/691.6  
6,640,800 B1 11/2003 Hodgson et al.  
6,935,327 B1 8/2005 Williams et al.  
D521,308 S \* 5/2006 Tseng ..... D7/334  
D535,138 S \* 1/2007 Lutz ..... D7/334

**DESCRIPTION**

FIG. 1 is an isometric view of the outdoor cooking station; FIG. 2 is a front view thereof; FIG. 3 is a rear view thereof; FIG. 4 is a left-side view thereof; FIG. 5 is a right-side view thereof; FIG. 6 is a top view thereof; and, FIG. 7 is a bottom view thereof. The broken lines in the drawings represent portions of the outdoor cooking station that form no part of the claimed design.

**1 Claim, 6 Drawing Sheets**



(56)

**References Cited**

U.S. PATENT DOCUMENTS

D829,050	S	9/2018	Measom et al.	
10,105,007	B2	10/2018	Colston et al.	
D844,361	S *	4/2019	Chung .....	D7/334
D857,439	S *	8/2019	Chung .....	D7/334
D890,570	S *	7/2020	Lira-Nunez .....	D7/403
D908,415	S *	1/2021	Zheng .....	D7/334
D911,091	S *	2/2021	Chung .....	D7/334
D917,948	S *	5/2021	Chung .....	D7/334
2011/0271949	A1	11/2011	Ortner et al.	
2017/0065124	A1	3/2017	Colston	
2018/0255970	A1 *	9/2018	Rudy .....	A47J 37/067

\* cited by examiner

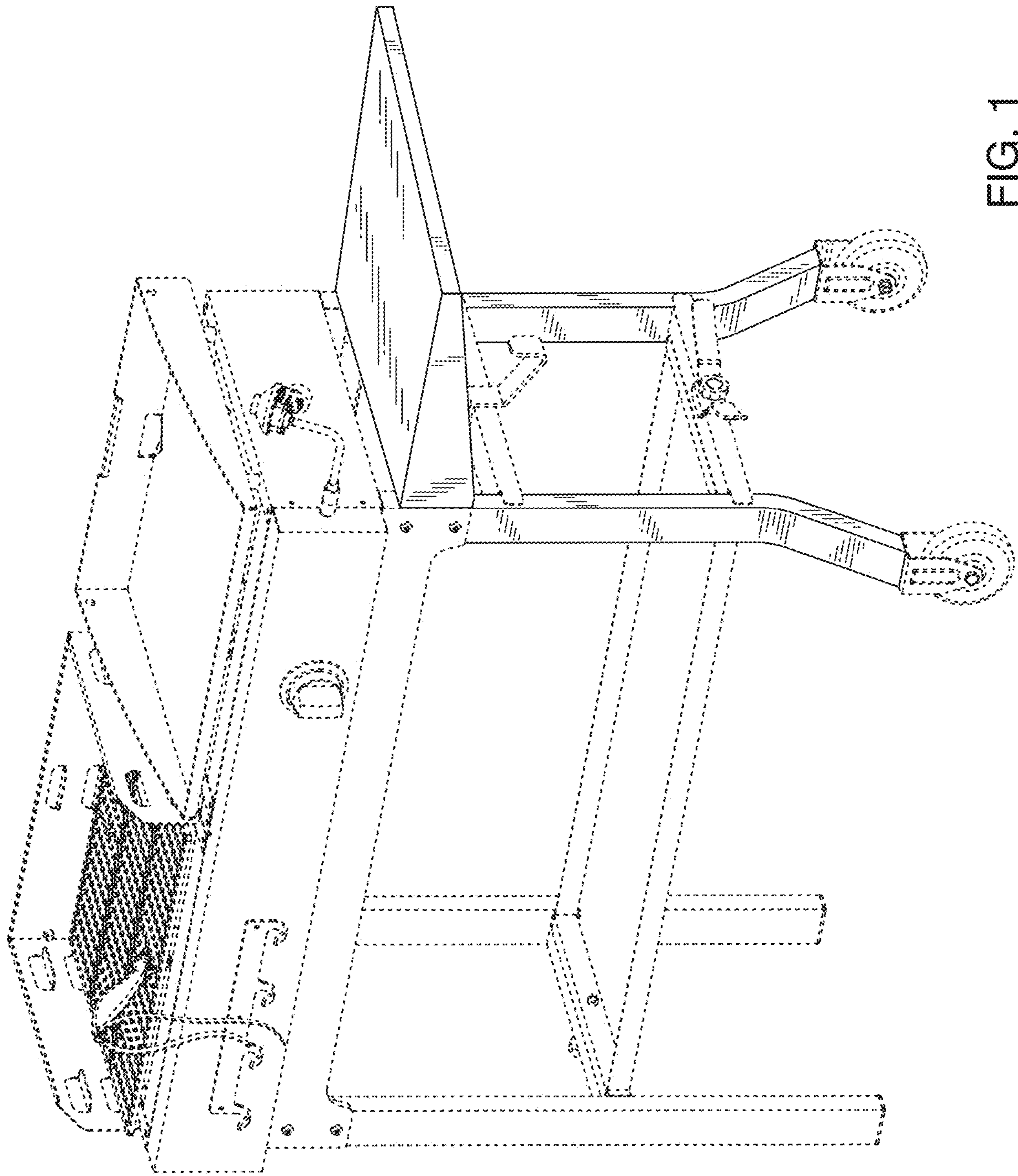


FIG. 1

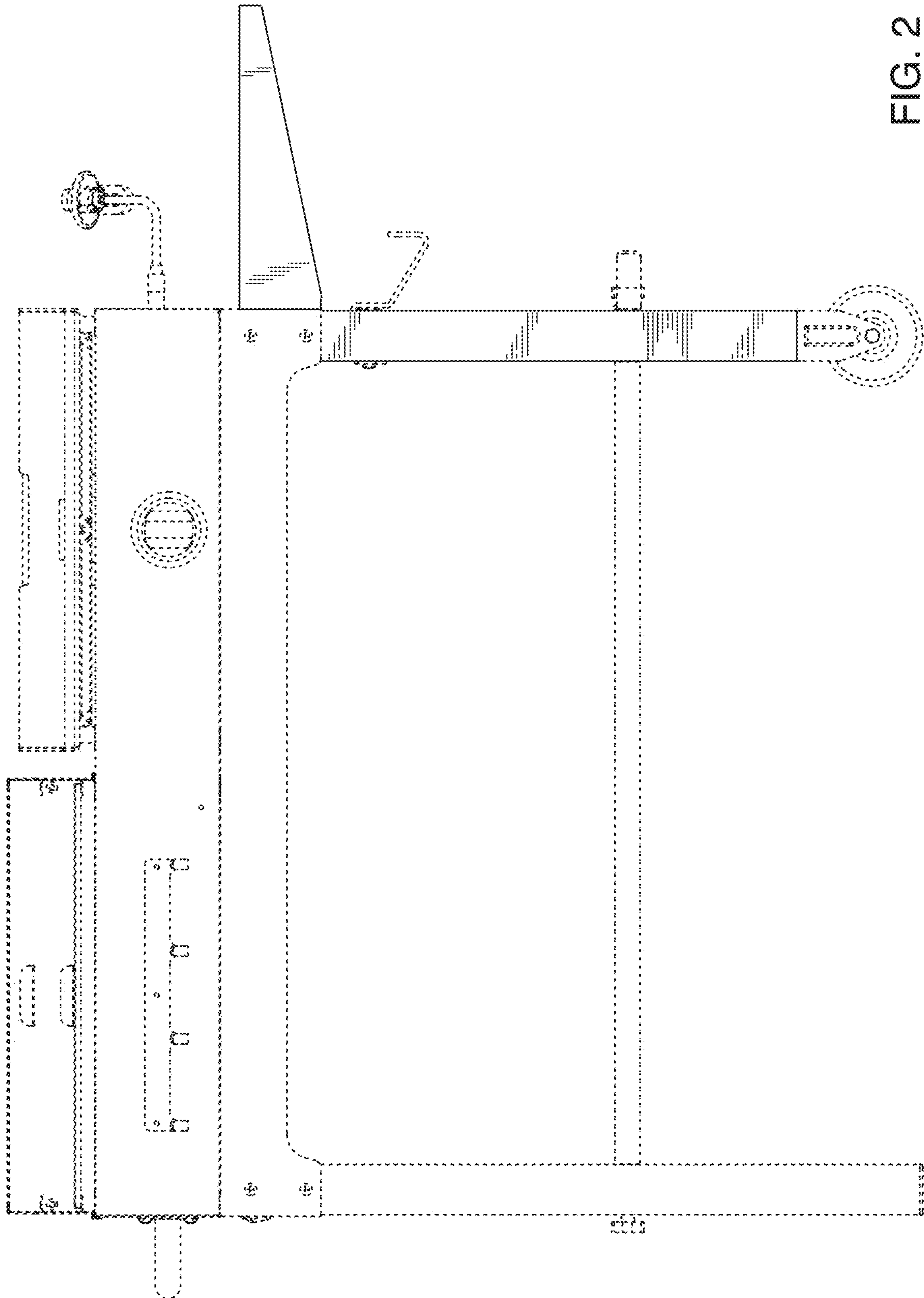


FIG. 2

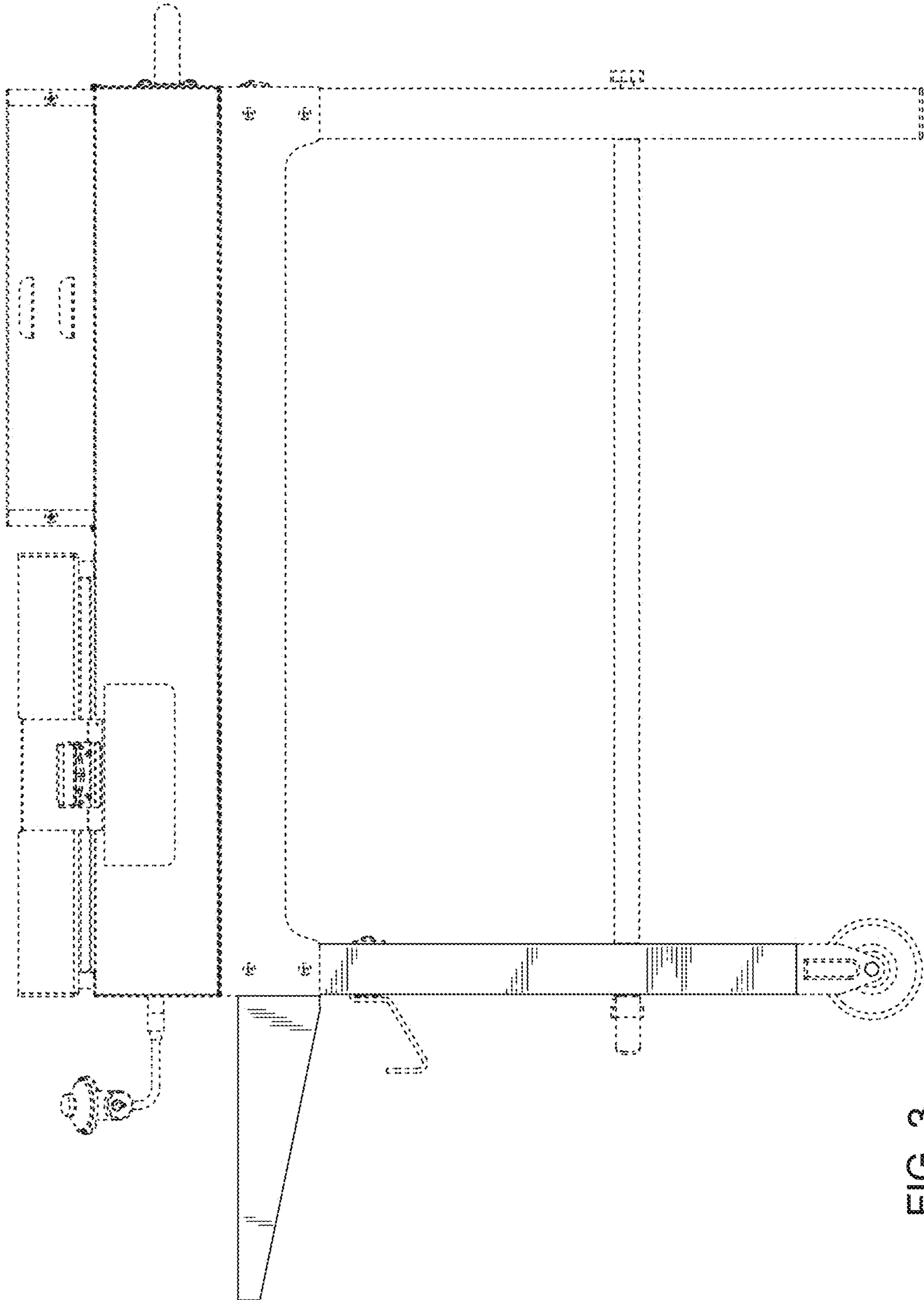


FIG. 3

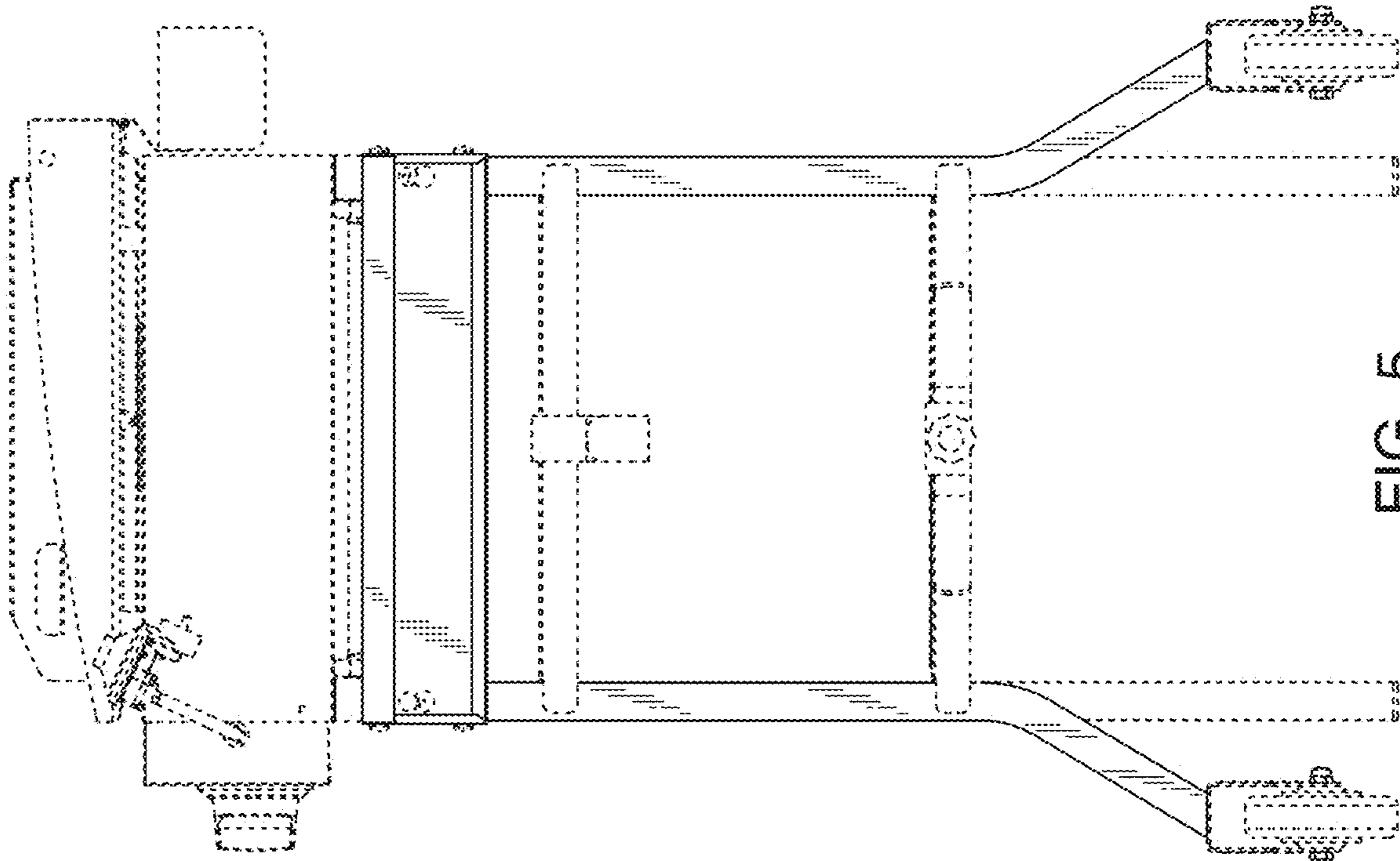


FIG. 5

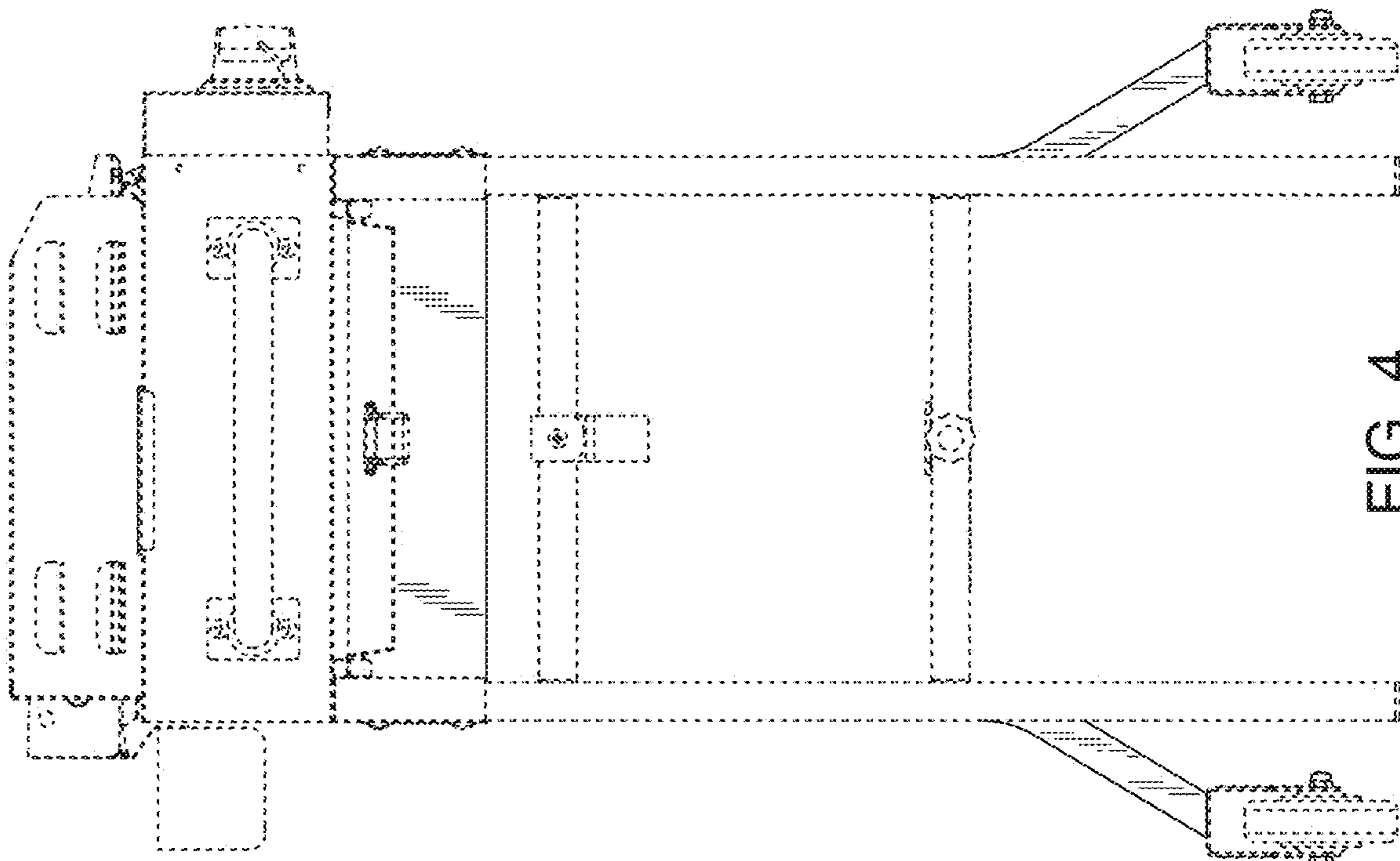


FIG. 4

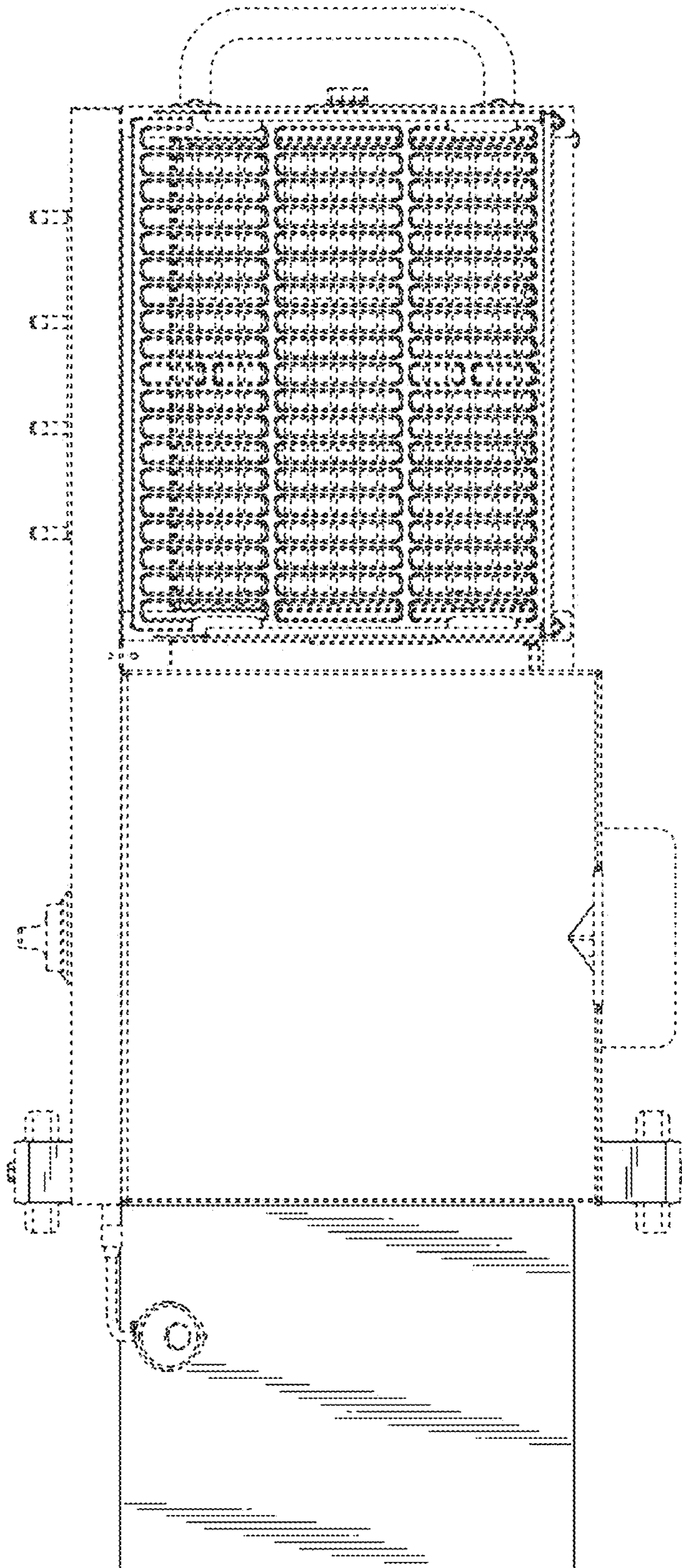


FIG. 6

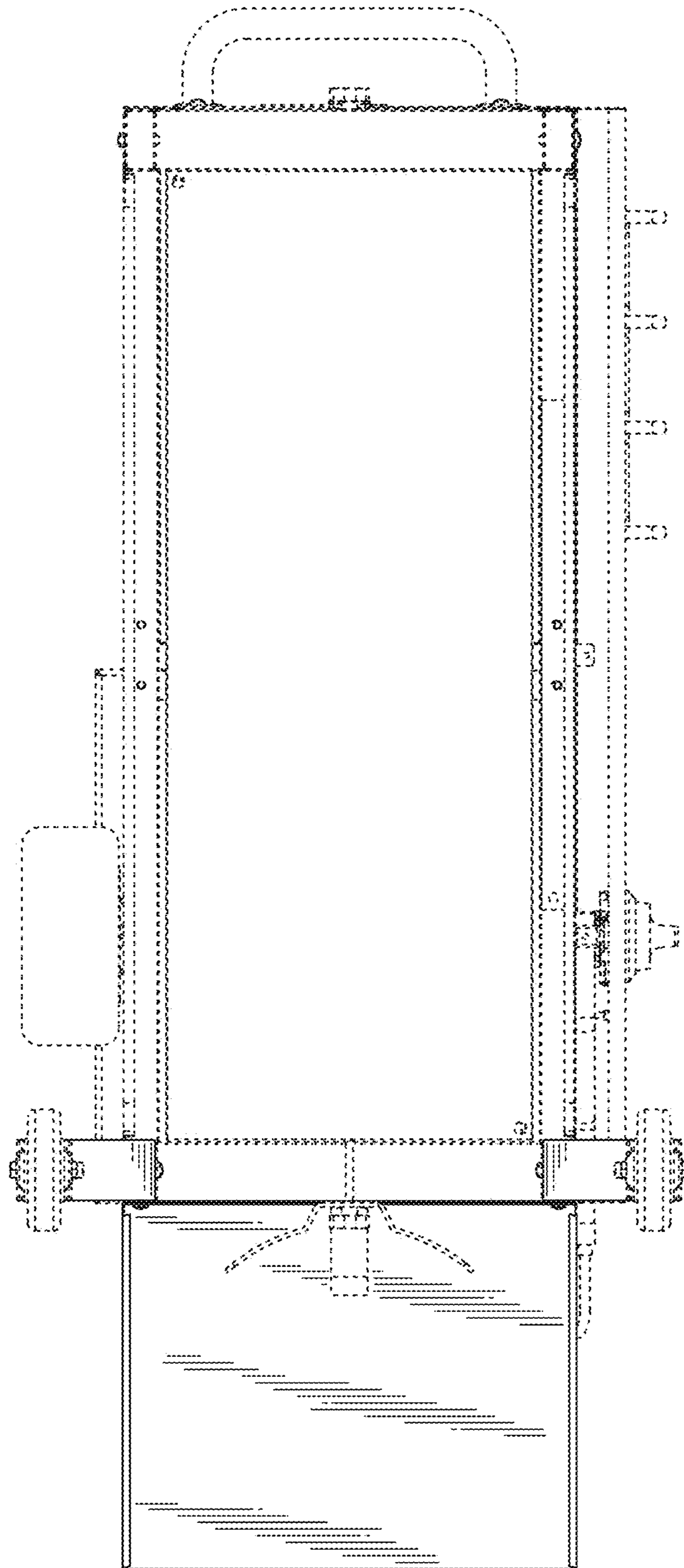


FIG. 7