



US00D977894S

(12) **United States Design Patent**
Kroeger et al.

(10) **Patent No.:** **US D977,894 S**

(45) **Date of Patent:** **** Feb. 14, 2023**

(54) **RETENTION TRAY ASSEMBLY FOR FOOD DISPENSING MACHINE**

(71) Applicants: **Todd M. Kroeger**, West Chester, OH (US); **Brandon S. Brammer**, Covington, KY (US)

(72) Inventors: **Todd M. Kroeger**, West Chester, OH (US); **Brandon S. Brammer**, Covington, KY (US)

(73) Assignee: **Gold Medal Products Co.**, Cincinnati, OH (US)

(**) Term: **15 Years**

(21) Appl. No.: **29/778,044**

(22) Filed: **Apr. 9, 2021**

(51) **LOC (14) Cl.** **31-00**

(52) **U.S. Cl.**
USPC **D7/325; D7/392; D7/397**

(58) **Field of Classification Search**
USPC D7/300, 311, 325, 387, 392, 397, 415, D7/589; D15/150-152; D24/224
CPC B65D 75/5877; B65D 7/30; B67D 7/302
See application file for complete search history.

(56) **References Cited**

U.S. PATENT DOCUMENTS

- 1,819,660 A * 8/1931 Stone A47J 37/10
D7/354
- D229,867 S * 1/1974 Shanks D15/89
- 4,477,705 A * 10/1984 Danley B65D 81/3453
426/243
- D279,070 S * 6/1985 Morrison D7/325
- D341,366 S * 11/1993 Tricarico D34/12
- D363,944 S * 11/1995 McCarter D15/150
- 6,123,011 A * 9/2000 Cretors A23L 7/187
99/323.11
- D442,027 S * 5/2001 Peters D7/550.1
- D590,490 S * 4/2009 Lary D23/386

- D637,636 S * 5/2011 Liao D15/150
- D663,992 S * 7/2012 Kauer D7/325
- D682,005 S * 5/2013 Kauer D7/325
- 8,770,184 B2 * 7/2014 Schneider F24C 1/16
126/30
- D715,842 S * 10/2014 Smith D15/152

(Continued)

Primary Examiner — Michael C Stout

Assistant Examiner — Fritzgerald L Butac

(74) *Attorney, Agent, or Firm* — Ulmer & Berne LLP

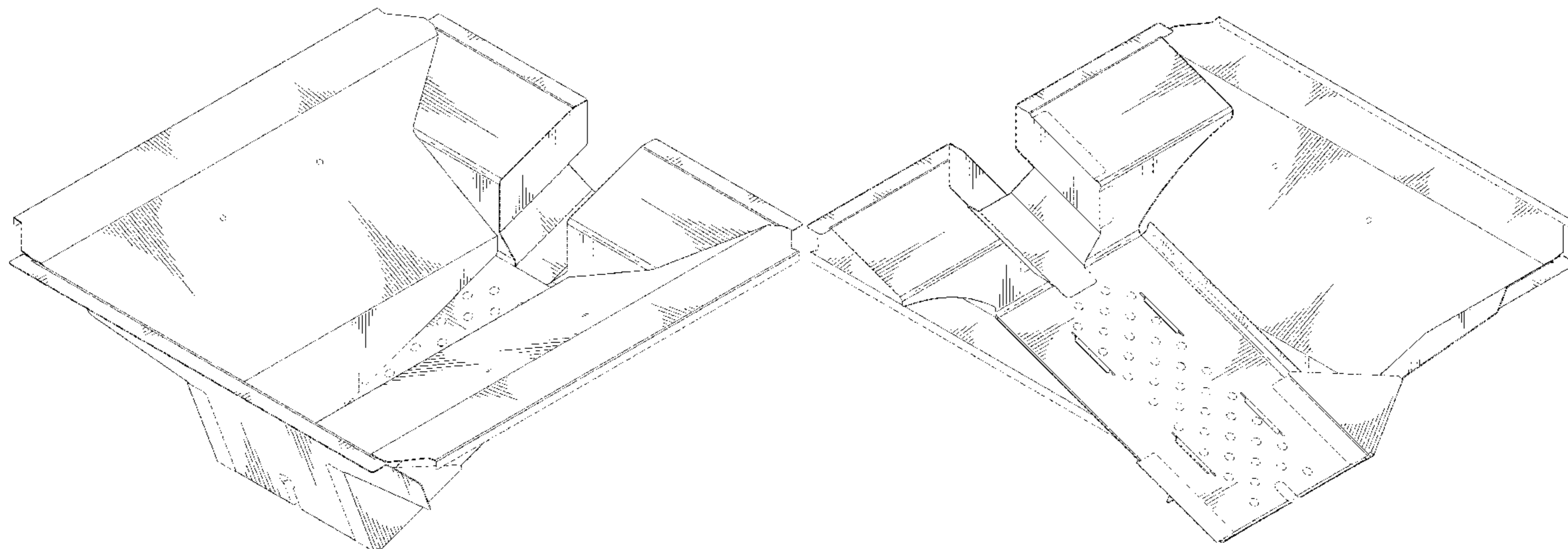
(57) **CLAIM**

The ornamental design for a retention tray assembly for a food dispensing machine, as shown.

DESCRIPTION

FIG. 1 is a rear right perspective view depicting a retention tray assembly for a food dispensing machine;
 FIG. 2 is a rear elevation view depicting the retention tray assembly of FIG. 1;
 FIG. 3 is a front elevation view depicting the retention tray assembly of FIG. 1;
 FIG. 4 is a right side view depicting the retention tray assembly of FIG. 1;
 FIG. 5 is a left side view depicting the retention tray assembly of FIG. 1;
 FIG. 6 is a top elevation view depicting the retention tray assembly of FIG. 1;
 FIG. 7 is a bottom elevation view depicting the retention tray assembly of FIG. 1;
 FIG. 8 is a front left perspective view depicting the retention tray assembly of FIG. 1;
 FIG. 9 is a front right exploded perspective view depicting the retention tray assembly of FIG. 1; and,
 FIG. 10 is a rear left exploded perspective view depicting the retention tray assembly of FIG. 1.
 The details shown in broken lines in the figures form no part of the claimed design for the retention tray assembly for a food dispensing machine.

1 Claim, 8 Drawing Sheets



(56)

References Cited

U.S. PATENT DOCUMENTS

D734,794 S	*	7/2015	Doran	D15/150
D849,961 S	*	5/2019	Muller	D24/224
D875,272 S	*	2/2020	Muller	D24/224
D875,273 S	*	2/2020	Muller	D24/224
D915,706 S	*	4/2021	Blackledge	D15/150
D933,727 S	*	10/2021	Liao	D15/150

* cited by examiner

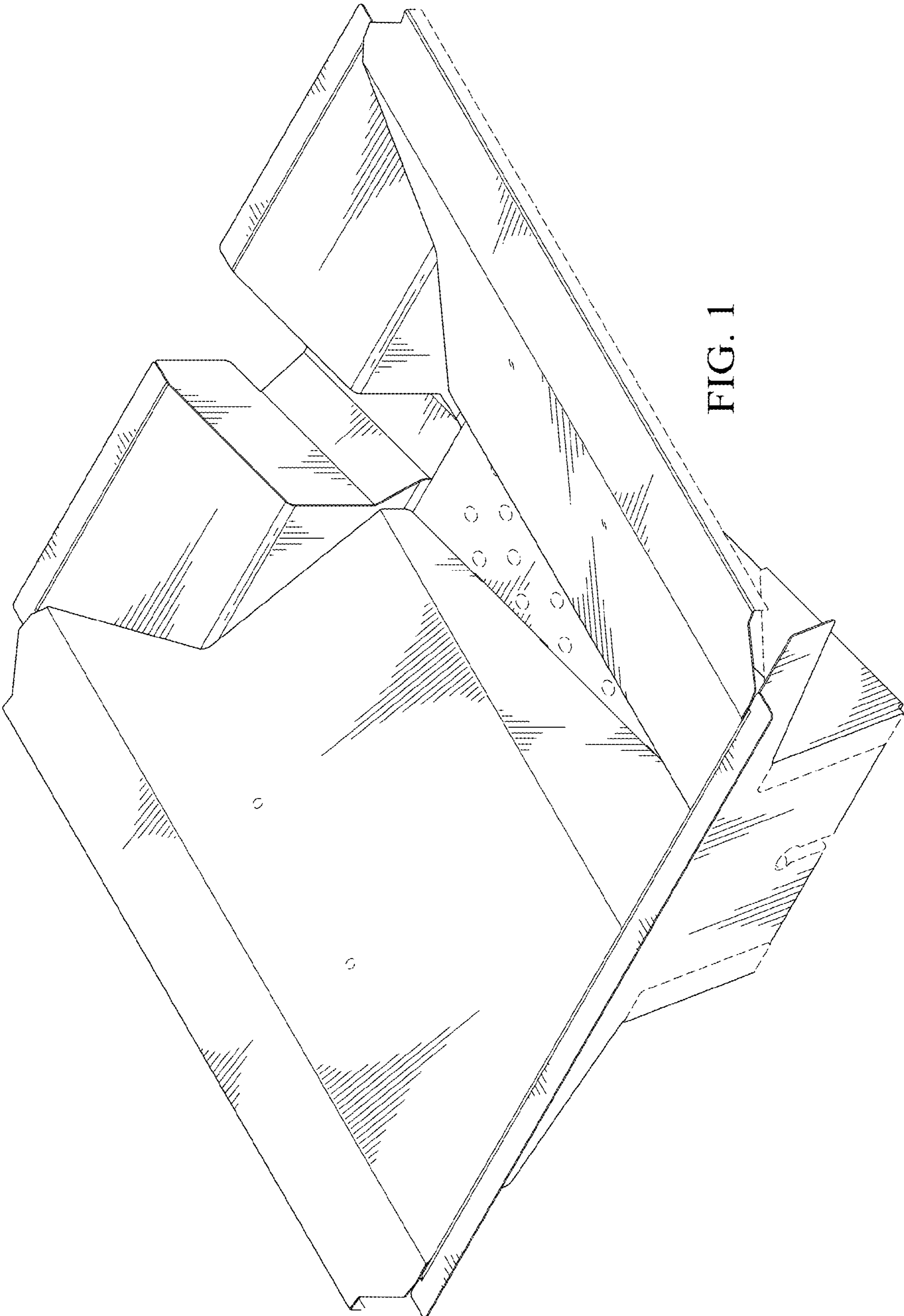


FIG. 1

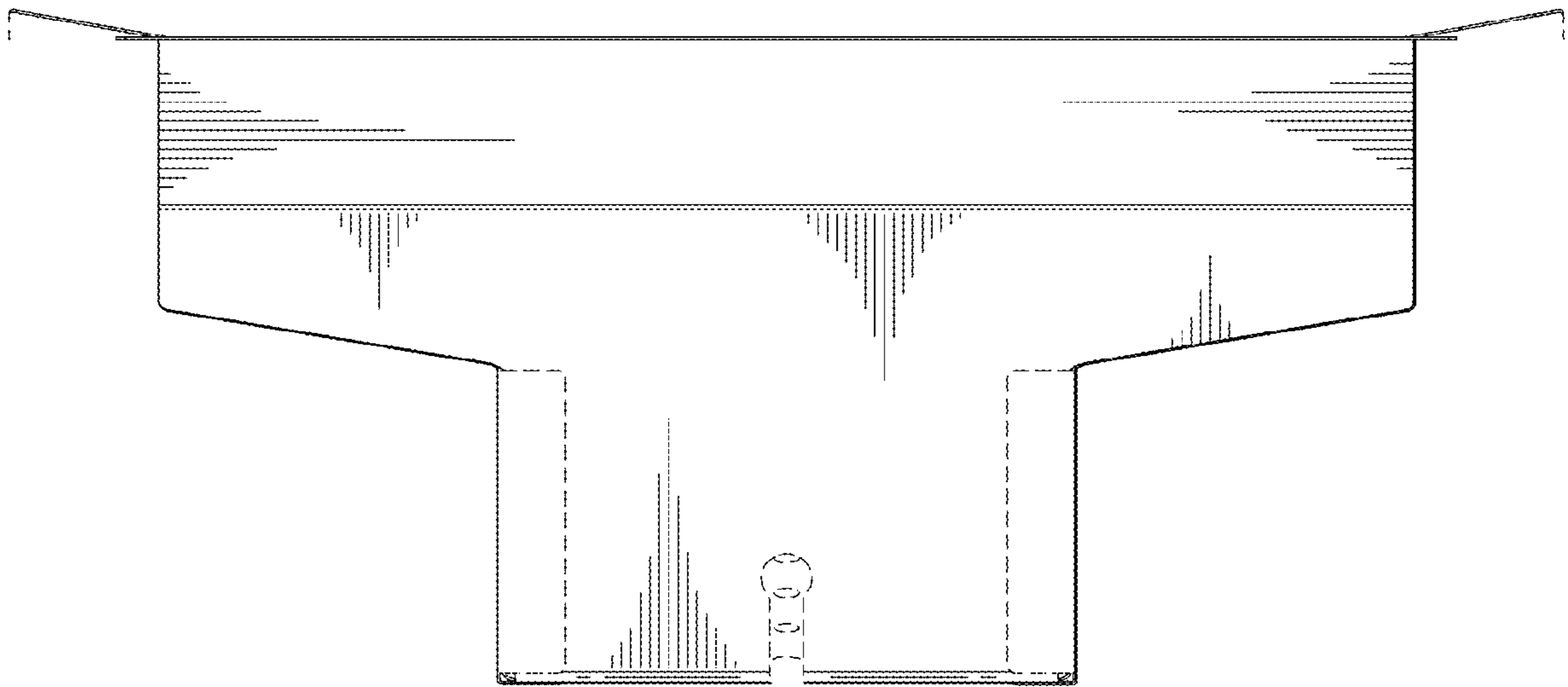


FIG. 2

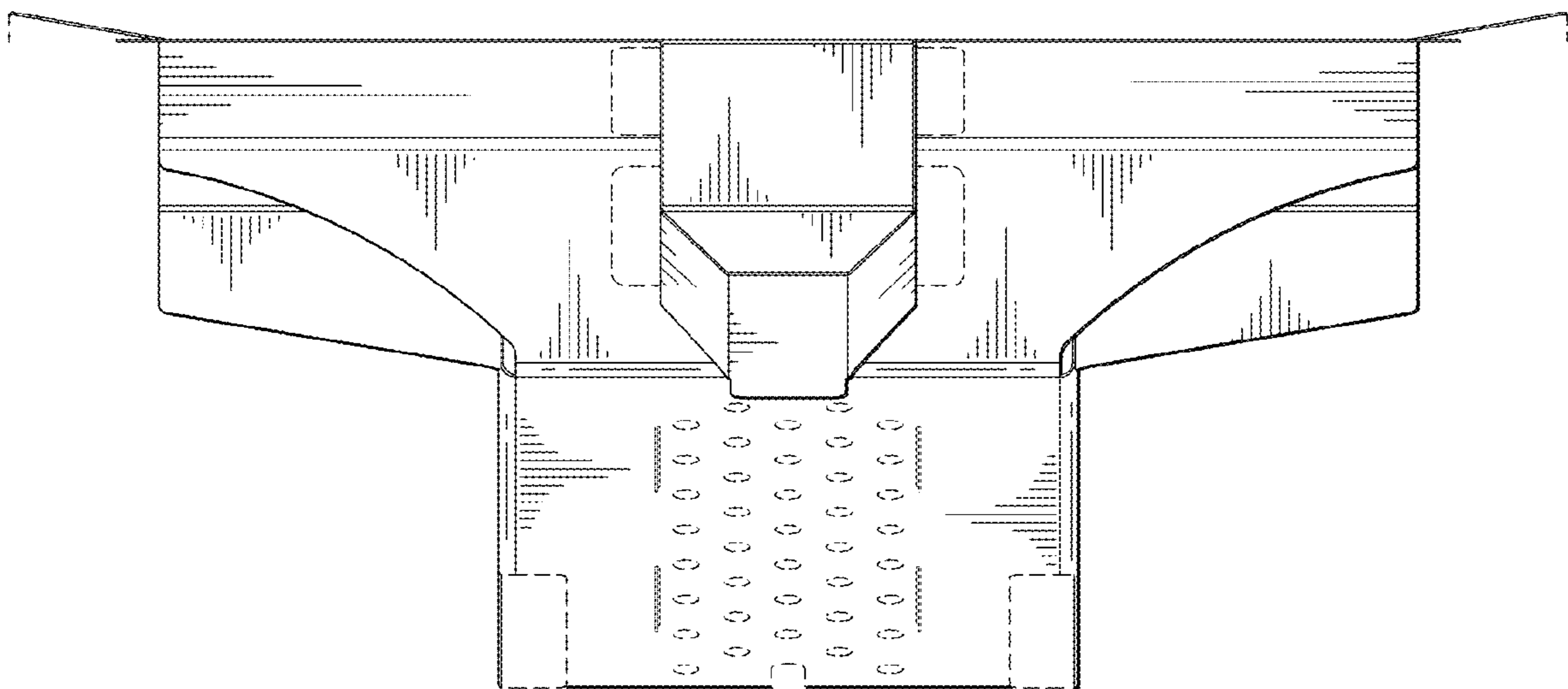


FIG. 3

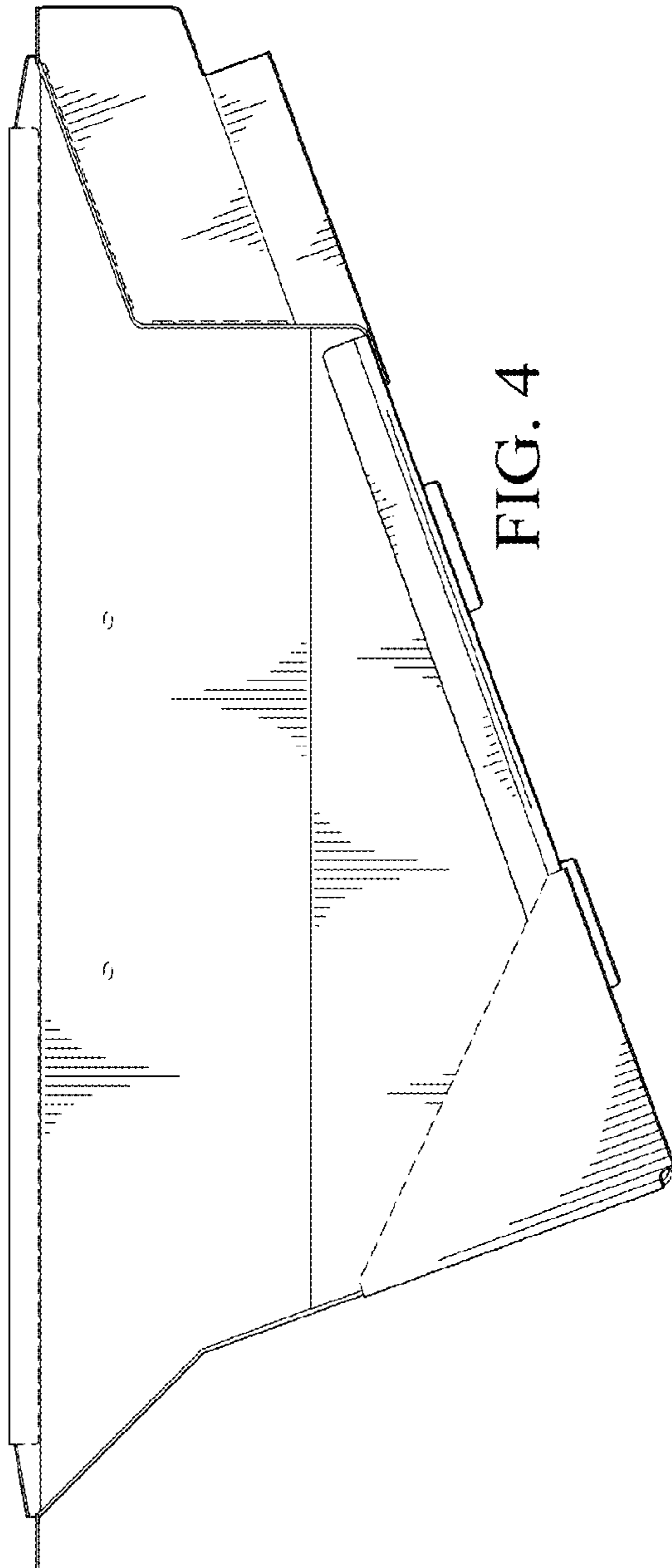


FIG. 4

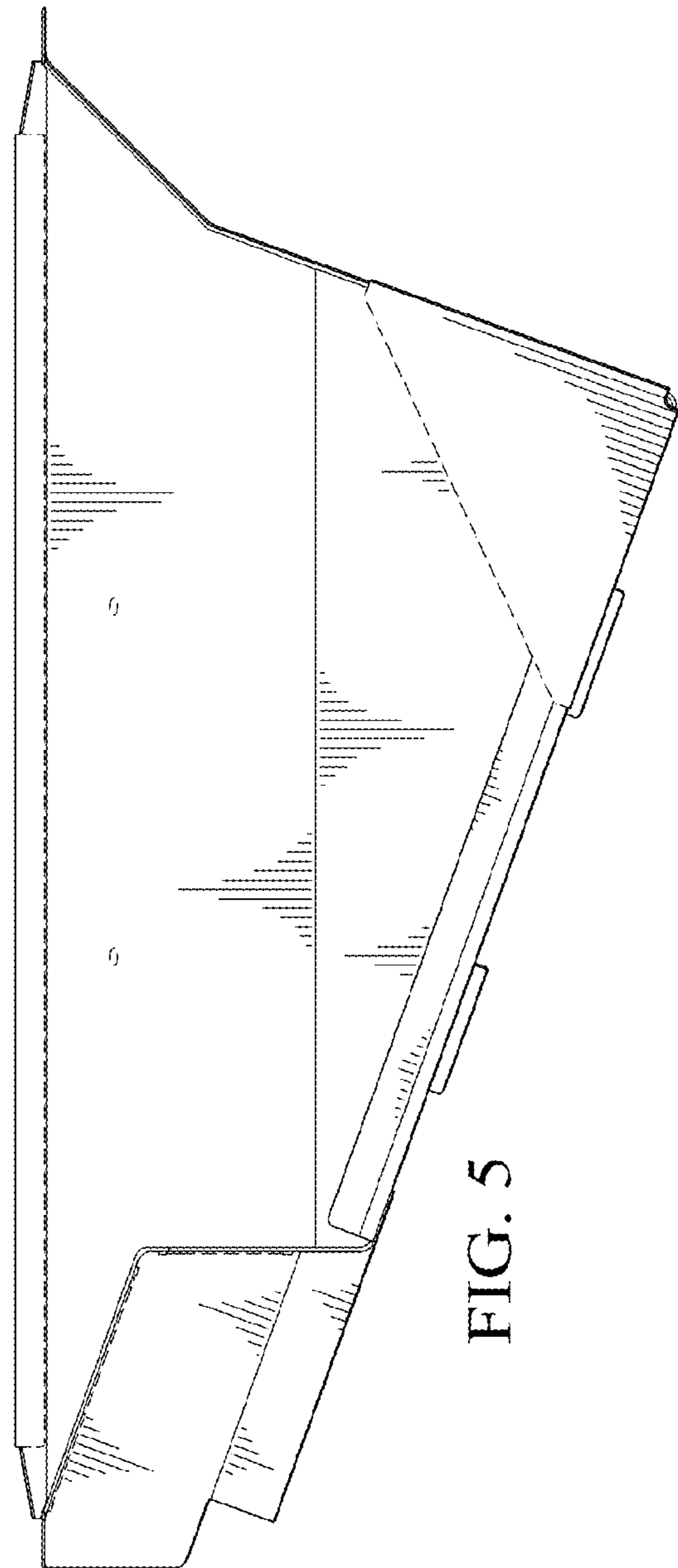


FIG. 5

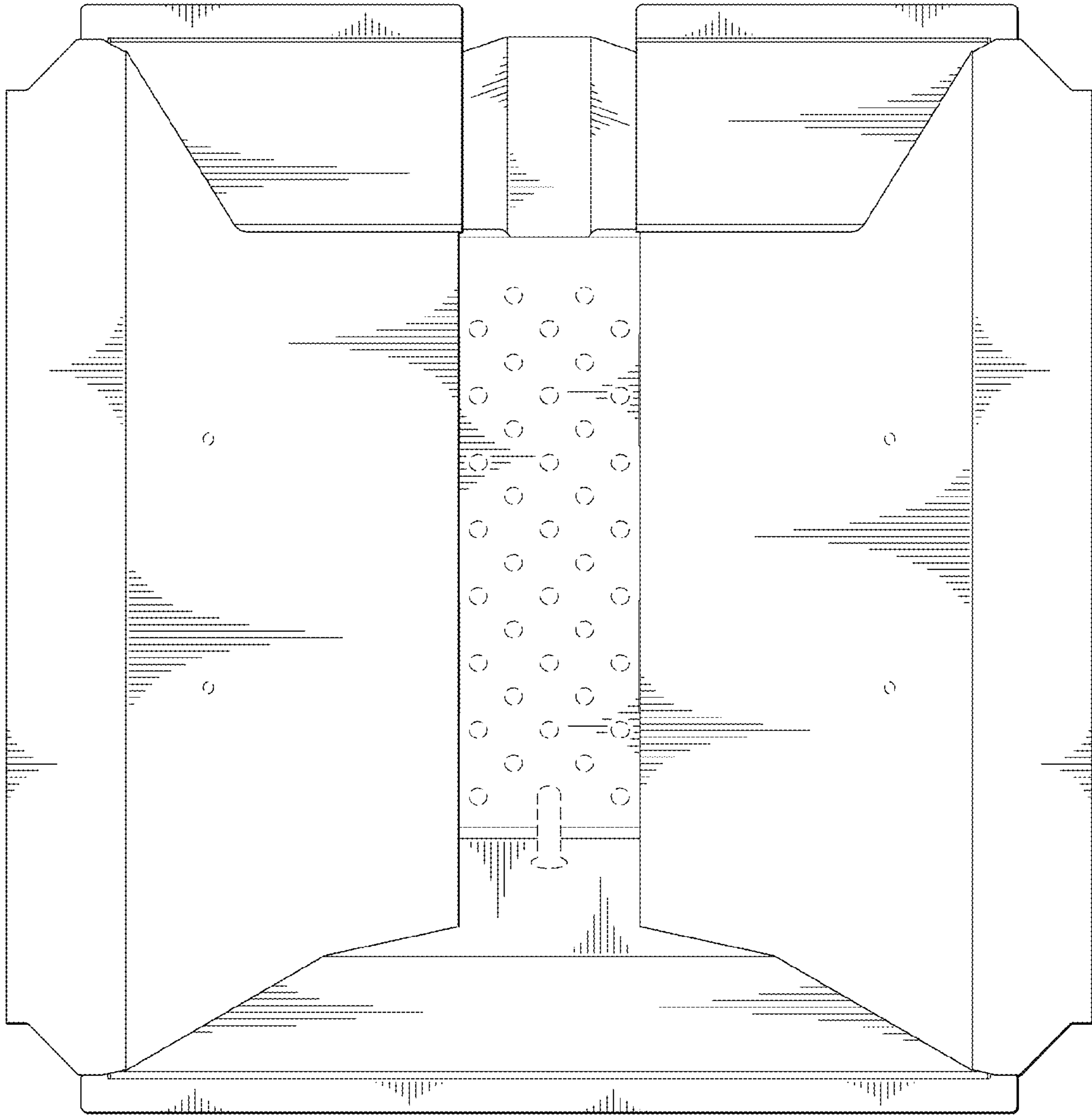


FIG. 6

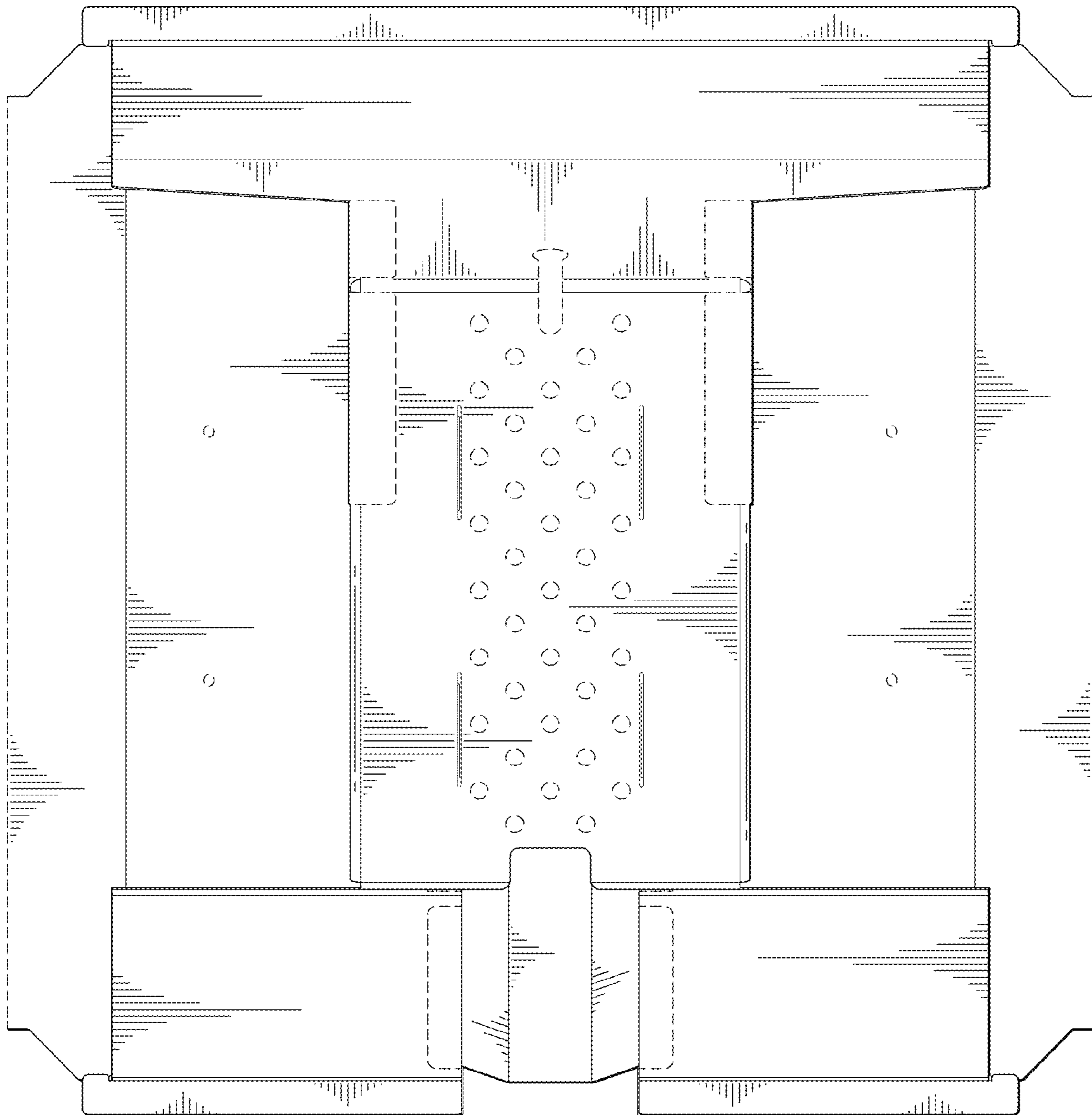


FIG. 7

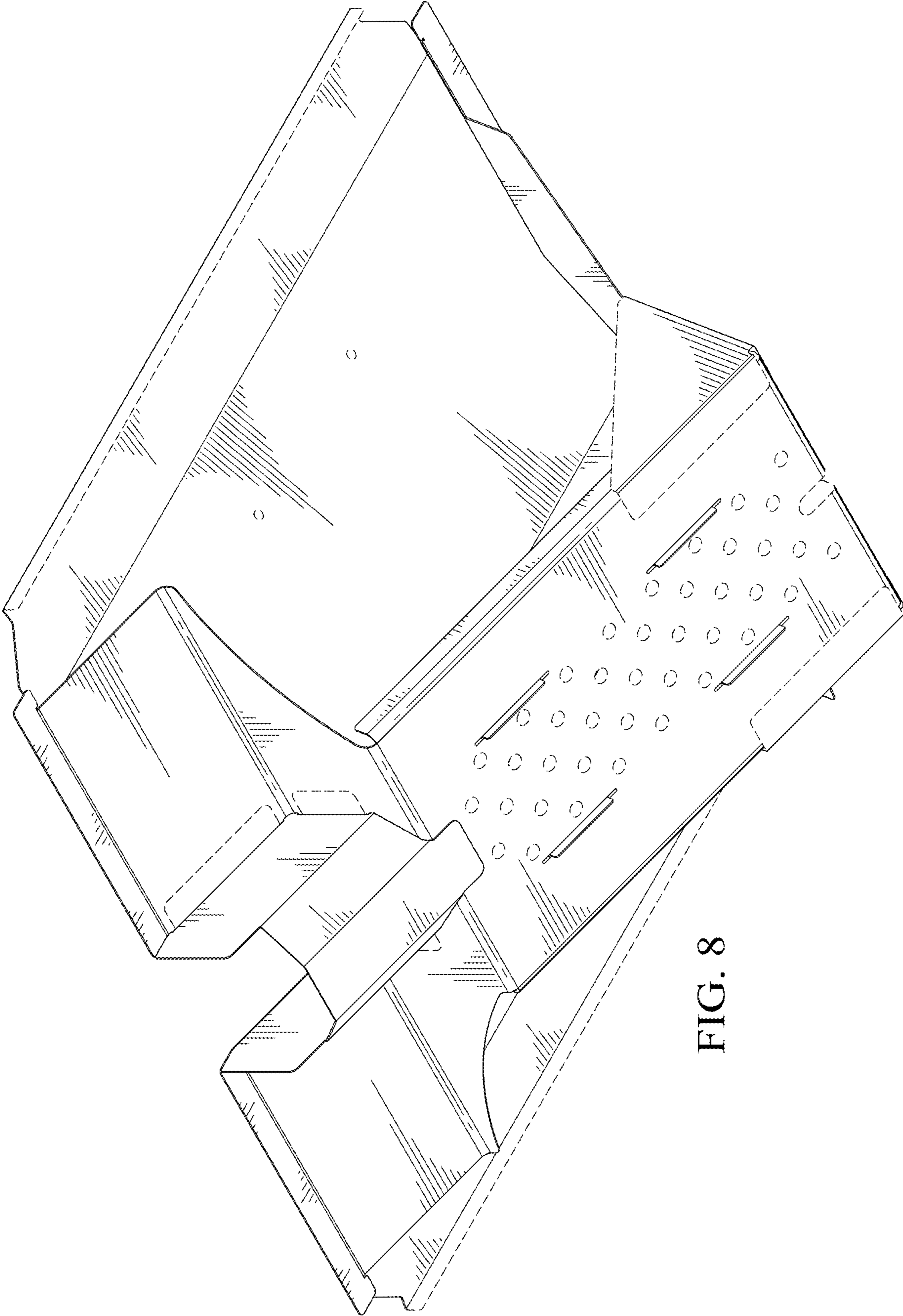


FIG. 8

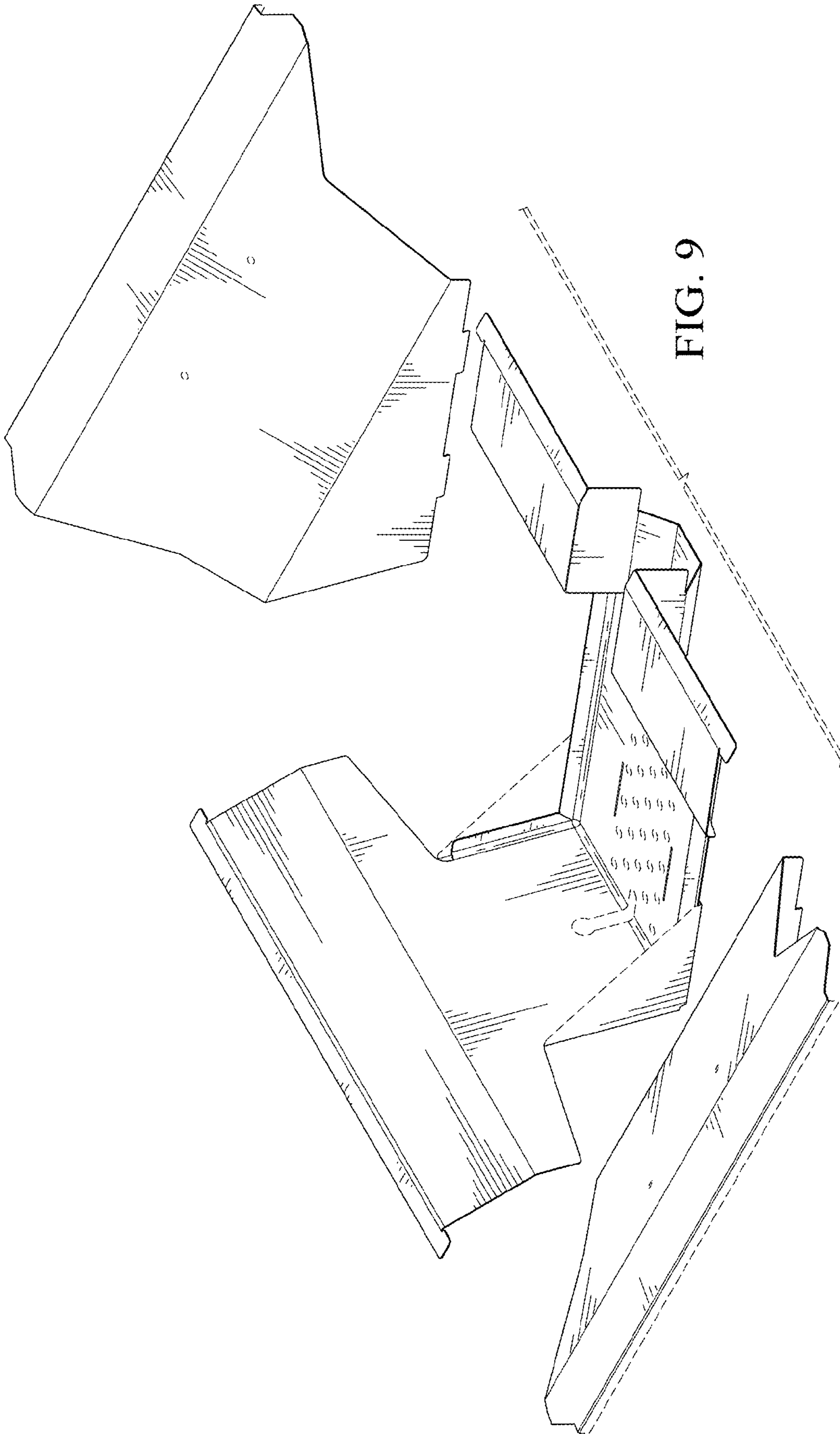


FIG. 9

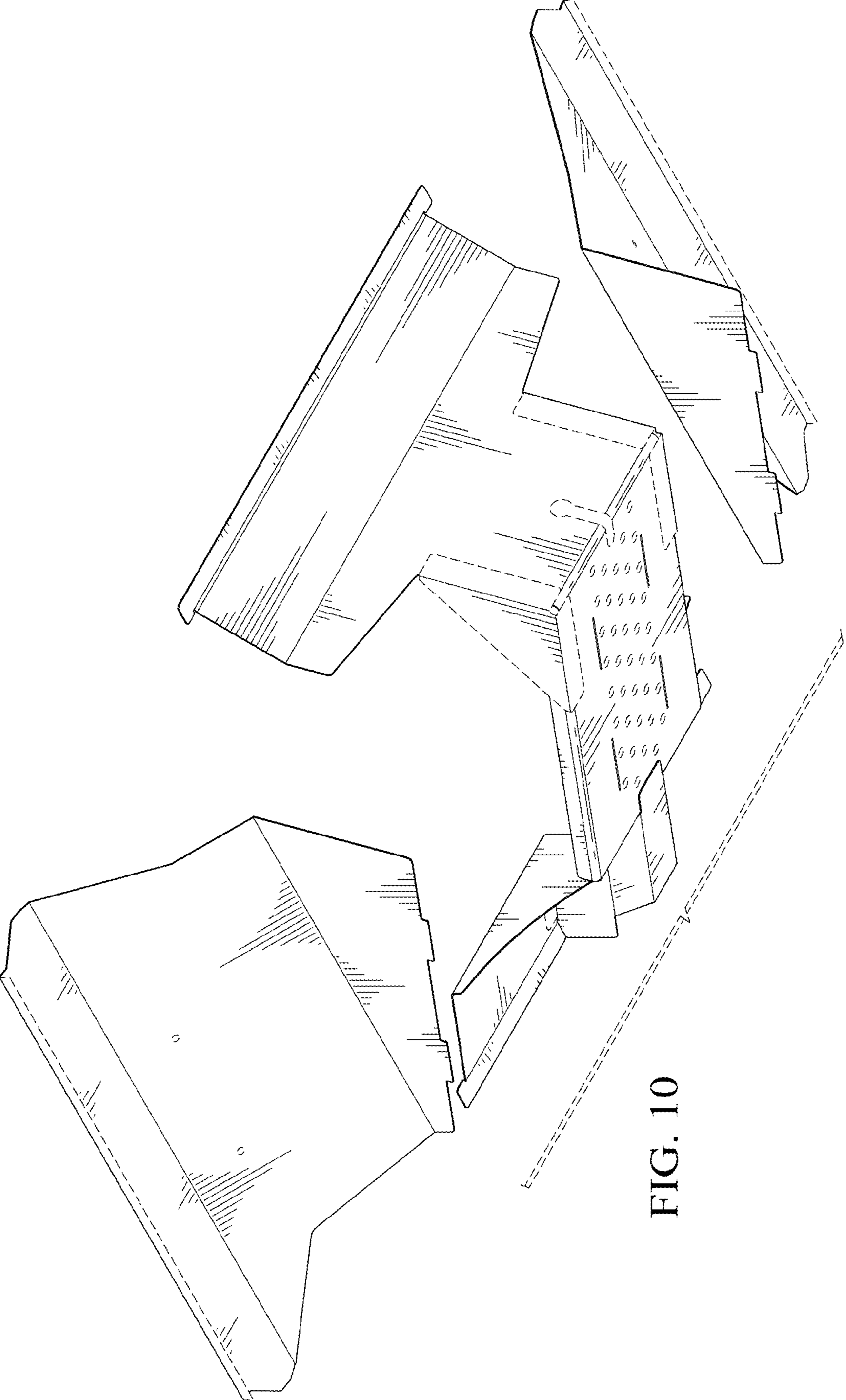


FIG. 10