



US00D977893S

(12) **United States Design Patent** (10) **Patent No.:** **US D977,893 S**  
**Aguilera** (45) **Date of Patent:** **\*\* Feb. 14, 2023**

- (54) **FRENCH PRESS**
- (71) Applicant: **BRADSHAW HOME**, Rancho Cucamonga, CA (US)
- (72) Inventor: **Robert Aguilera**, Long Beach, CA (US)
- (73) Assignee: **BRADSHAW HOME**, Rancho Cucamonga, CA (US)
- (\*\*) Term: **15 Years**
- (21) Appl. No.: **29/786,171**
- (22) Filed: **May 28, 2021**
- (51) **LOC (14) Cl.** ..... **07-01**
- (52) **U.S. Cl.**  
USPC ..... **D7/319**
- (58) **Field of Classification Search**  
USPC ..... D7/300, 309, 310, 311, 316, 317, 318, D7/319, 321, 373, 397, 399, 400, 667  
CPC ..... A47G 19/14; A47G 19/12; A47J 31/02; A47J 31/005; A47J 31/06; A47J 31/18; A47J 31/24; A47J 31/38; B65D 2581/3409; B65D 85/8061; B65D 81/245  
See application file for complete search history.

D388,275 S *	12/1997	Joergensen	.....	D7/319
D413,480 S *	9/1999	Joergensen	.....	D7/317
6,152,018 A *	11/2000	Yeh	.....	A47J 31/20 220/636
D449,957 S *	11/2001	Yeh	.....	D7/319
D500,626 S *	1/2005	Ranzoni	.....	D7/319
D557,978 S *	12/2007	Bodum	.....	D7/397
D565,887 S *	4/2008	Bodum	.....	D7/319
D566,454 S *	4/2008	Bodum	.....	D7/319
D596,891 S *	7/2009	Bodum	.....	D7/319
D610,860 S *	3/2010	Bodum	.....	D7/319
D935,258 S *	11/2021	Zhao	.....	D7/319
D955,155 S *	6/2022	Wang	.....	D7/319
D957,862 S *	7/2022	Wang	.....	D7/319
D958,581 S *	7/2022	Wang	.....	D7/319
2017/0071399 A1 *	3/2017	Constantine	.....	A47J 31/4403

\* cited by examiner

*Primary Examiner* — Joseph Kukella  
*Assistant Examiner* — Darryl J Dardenne  
(74) *Attorney, Agent, or Firm* — Birch, Stewart, Kolasch & Birch, LLP

(57) **CLAIM**

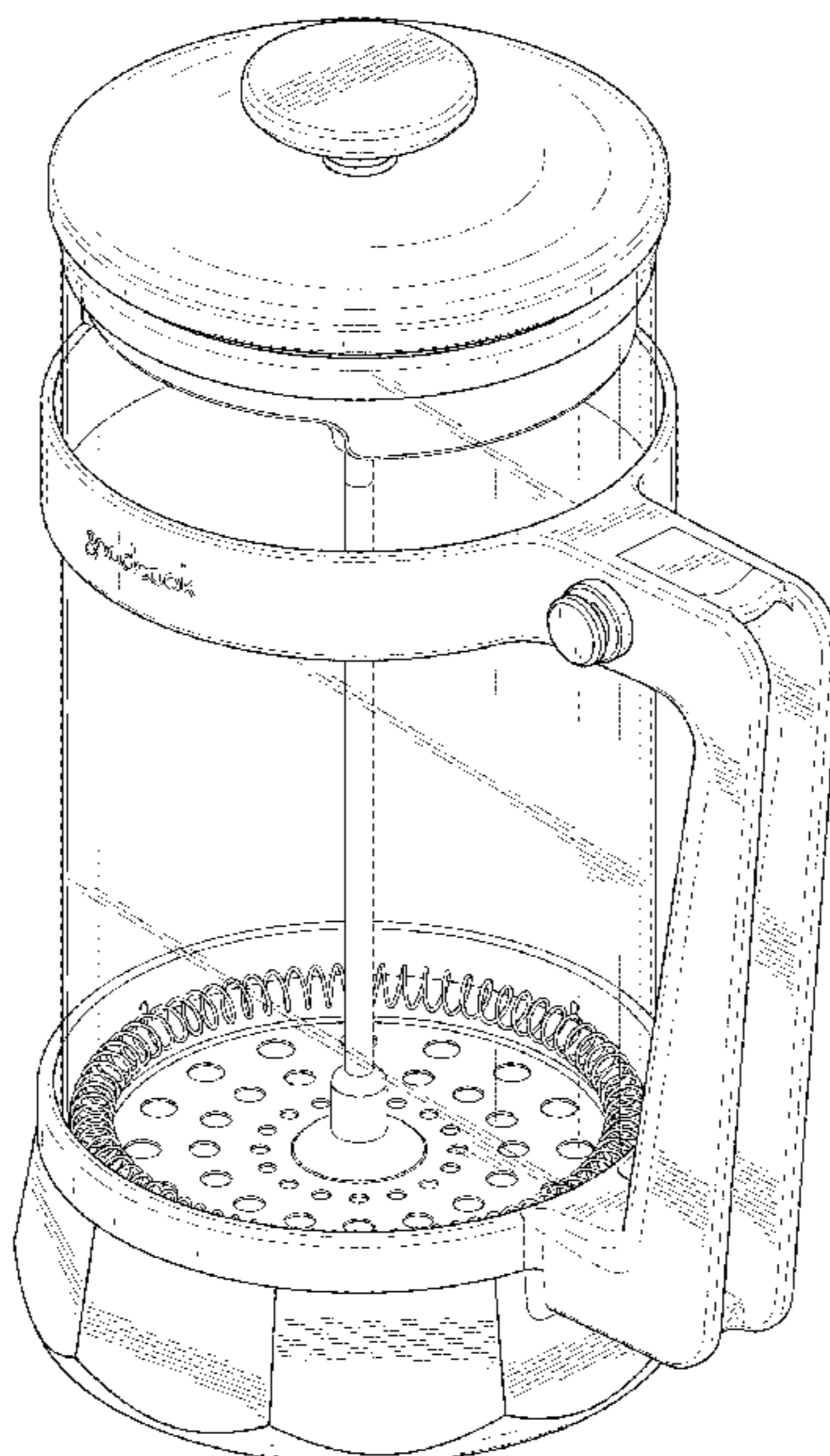
The ornamental design for a French press, as shown and described.

**DESCRIPTION**

FIG. 1 is a top, front, right perspective view of a French press showing my new design;  
FIG. 2 is a front view thereof;  
FIG. 3 is a rear view thereof;  
FIG. 4 is a left side view thereof;  
FIG. 5 is a right side view thereof;  
FIG. 6 is a top plan view thereof; and,  
FIG. 7 is a bottom plan view thereof.  
The broken line showing in the figures is for the purpose of illustrating portions of the French press that form no part of the claimed design.

**1 Claim, 7 Drawing Sheets**

- (56) **References Cited**  
U.S. PATENT DOCUMENTS
- 3,076,223 A 2/1963 Reichold
- 3,282,196 A 11/1966 Manship
- 3,809,285 A 5/1974 Unger
- 3,939,760 A 2/1976 Eaton, Jr.
- D342,414 S \* 12/1993 Jorgensen ..... A47J 31/4403  
D7/317
- D343,333 S \* 1/1994 Jorgensen ..... D7/316
- D372,627 S \* 8/1996 Ireland ..... D7/319
- D377,132 S \* 1/1997 Jorgensen ..... D7/319
- D378,261 S \* 3/1997 Jorgensen ..... D7/319



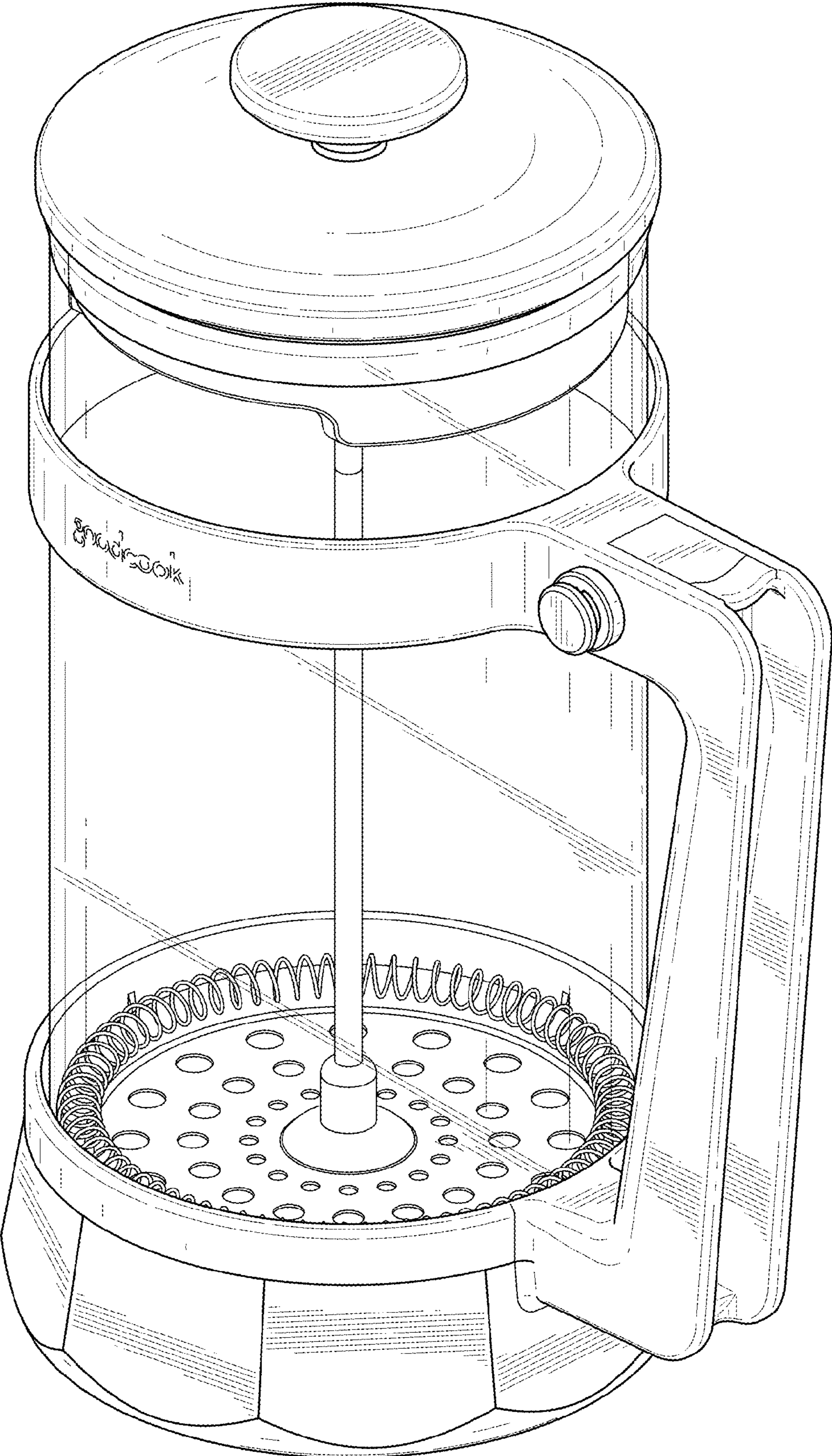


FIG. 1



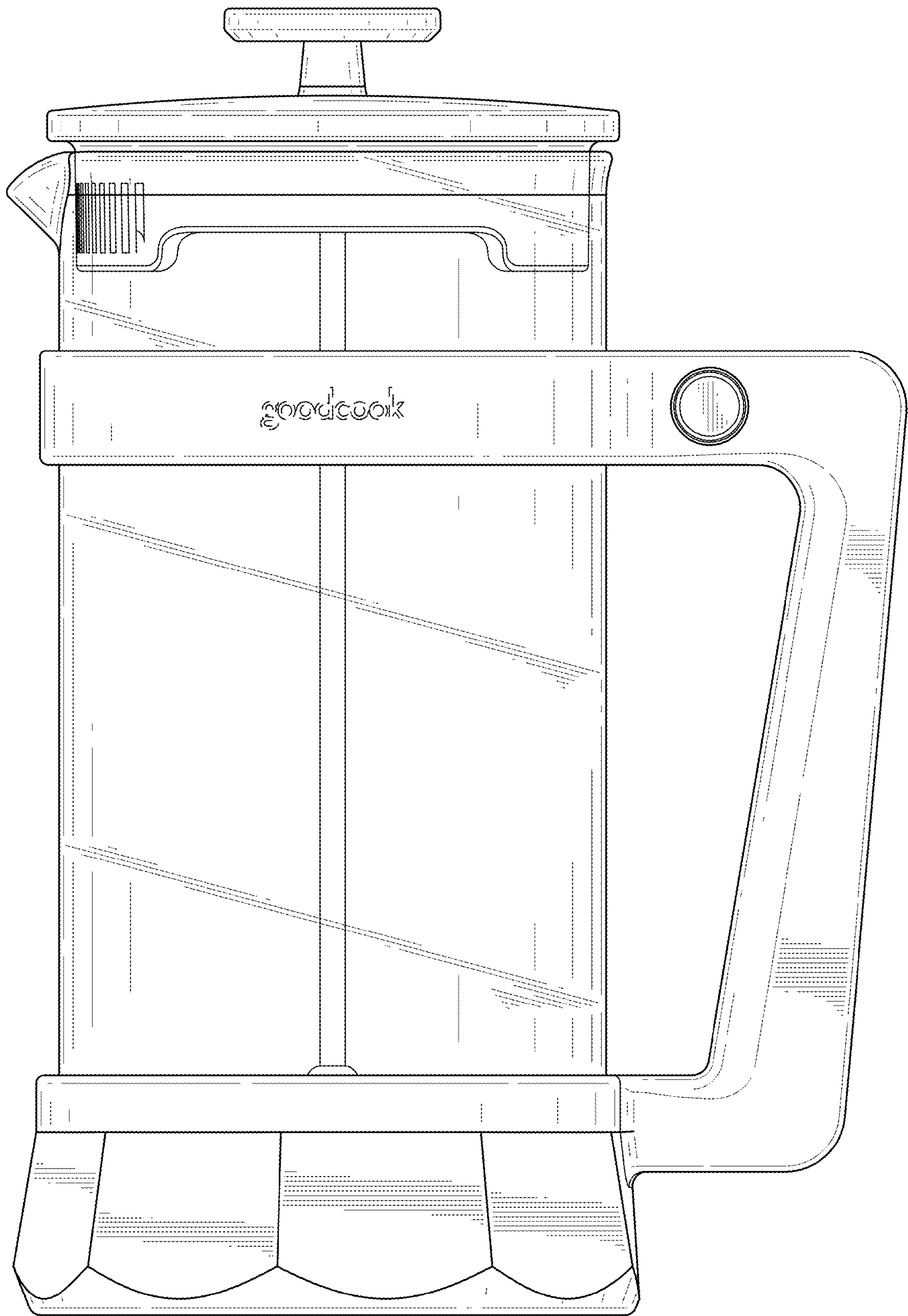


FIG.2

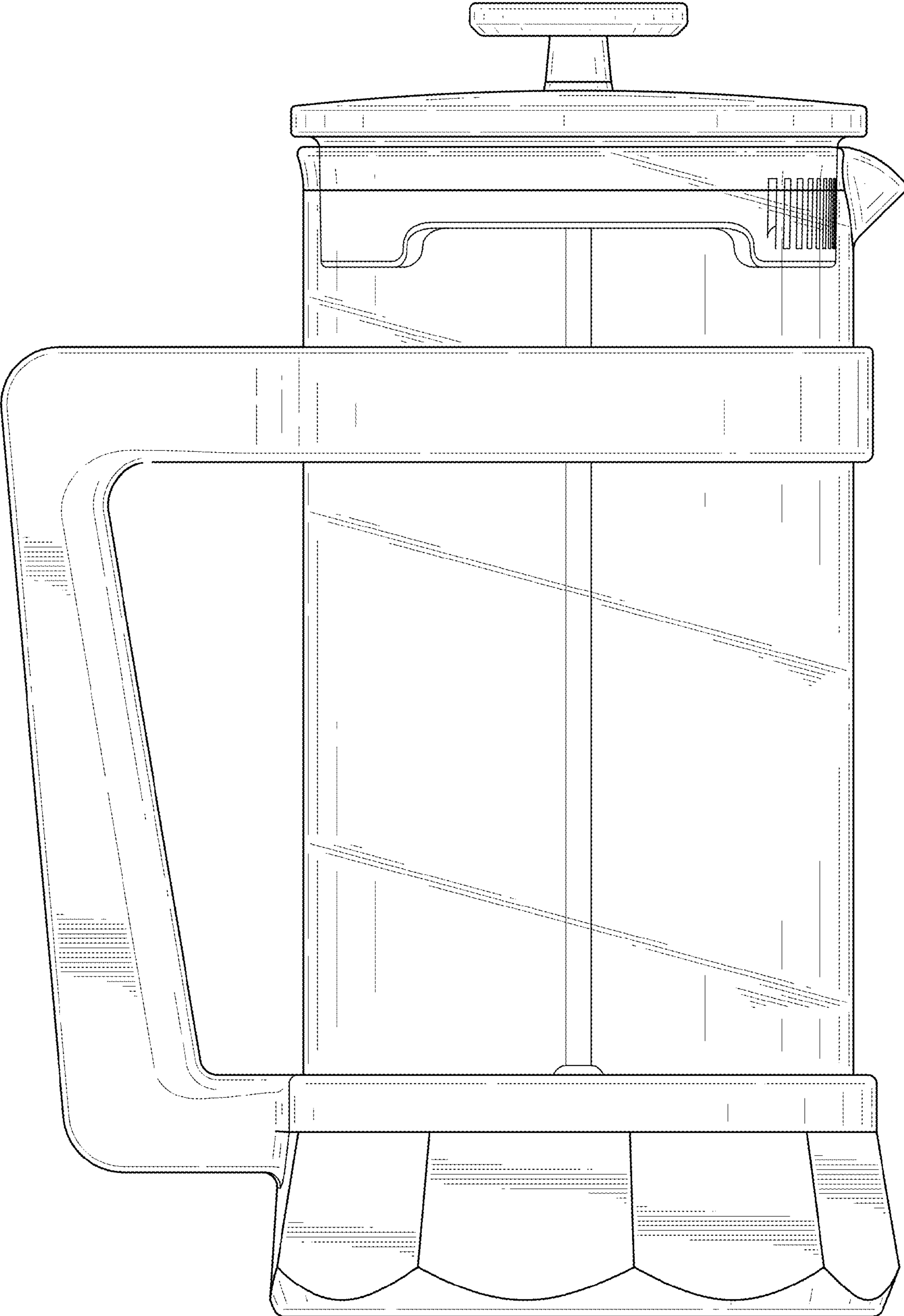


FIG.3

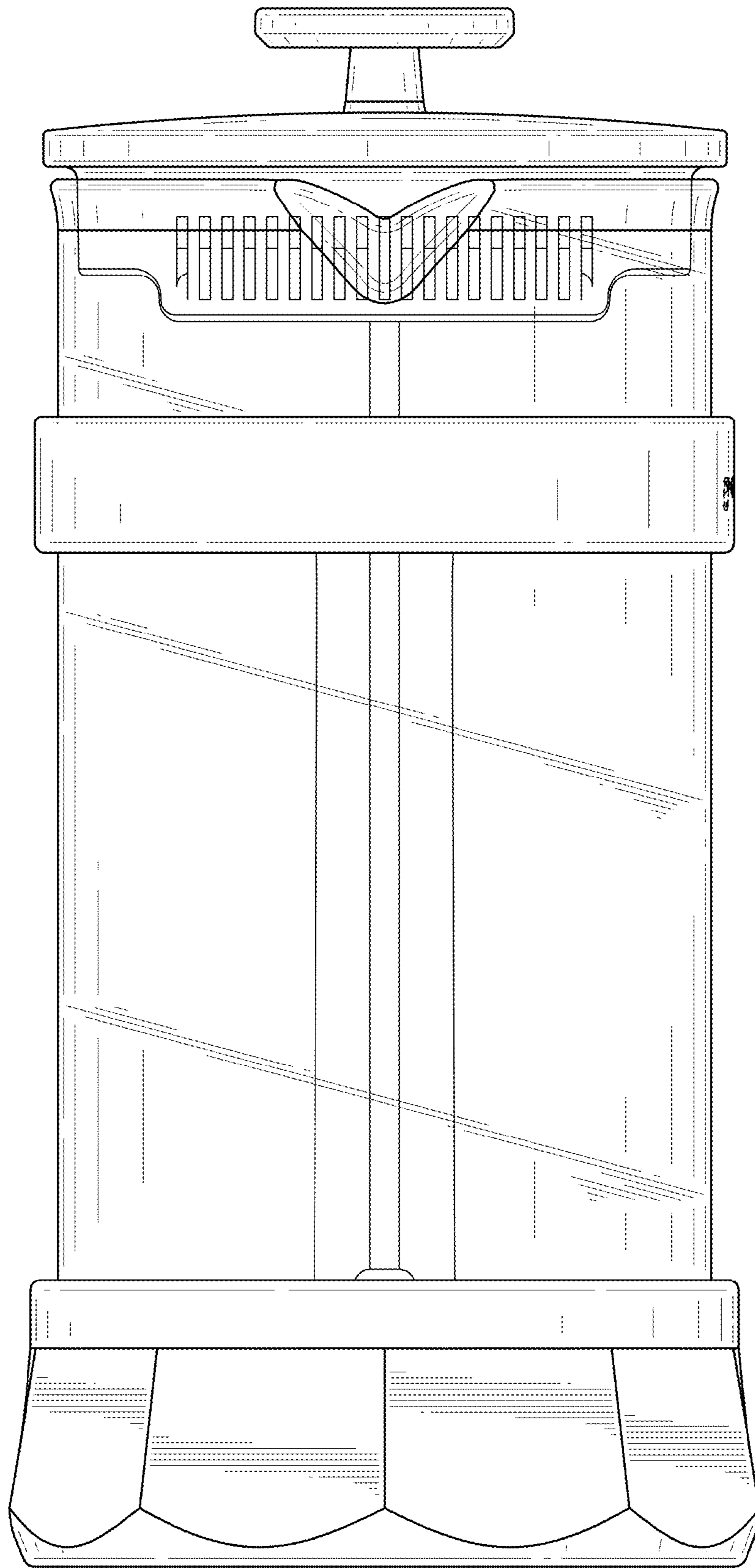


FIG.4

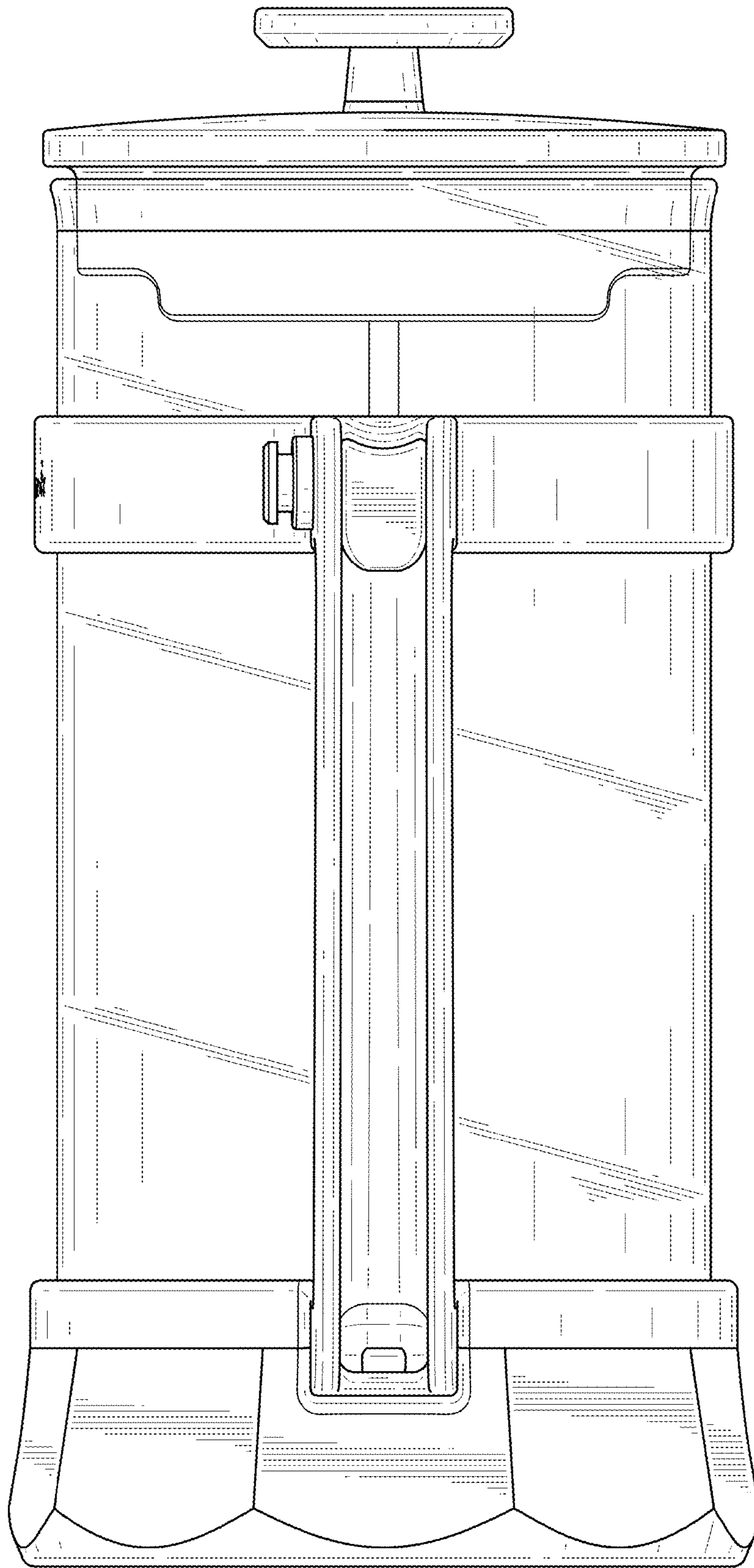


FIG.5

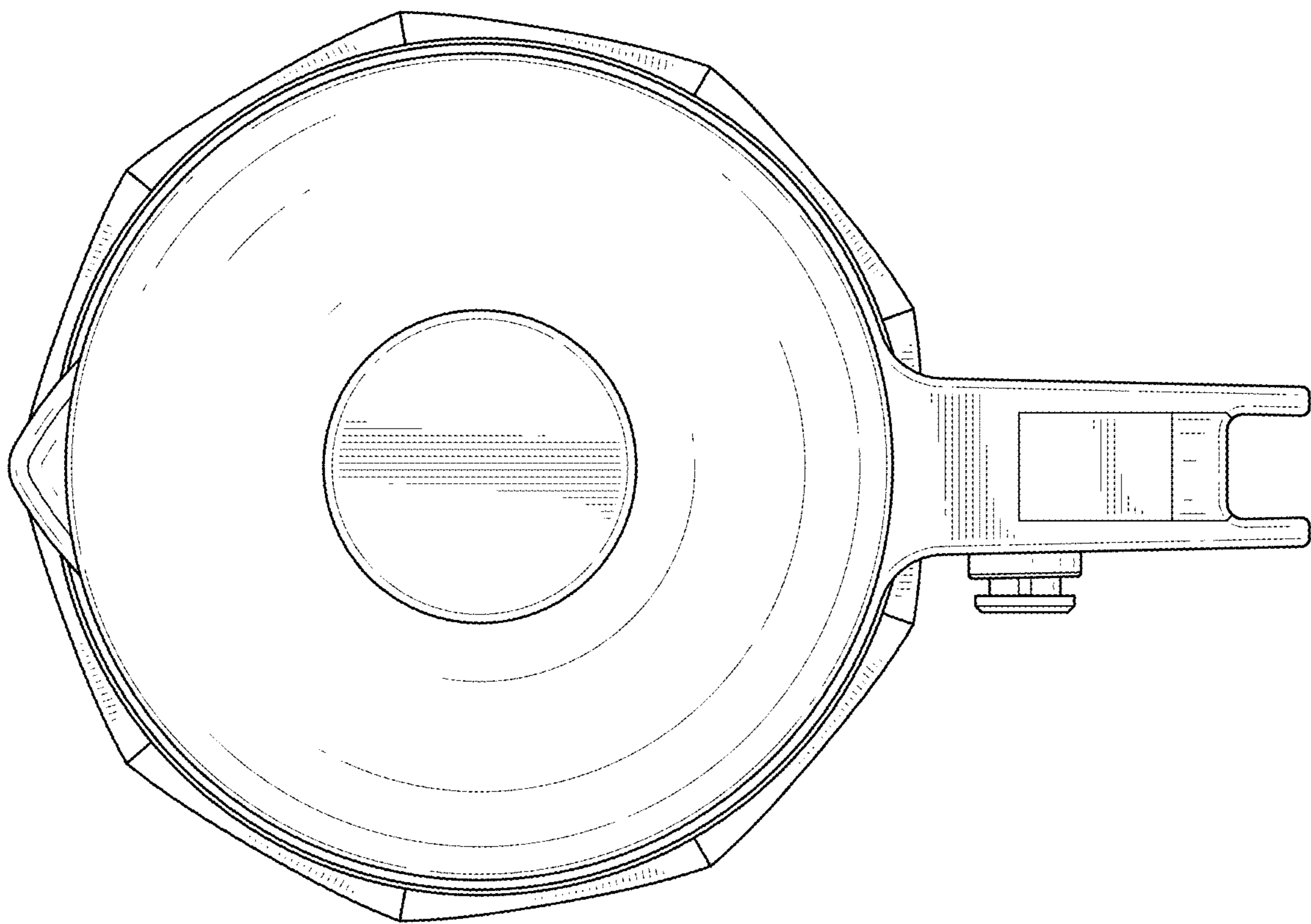


FIG. 6



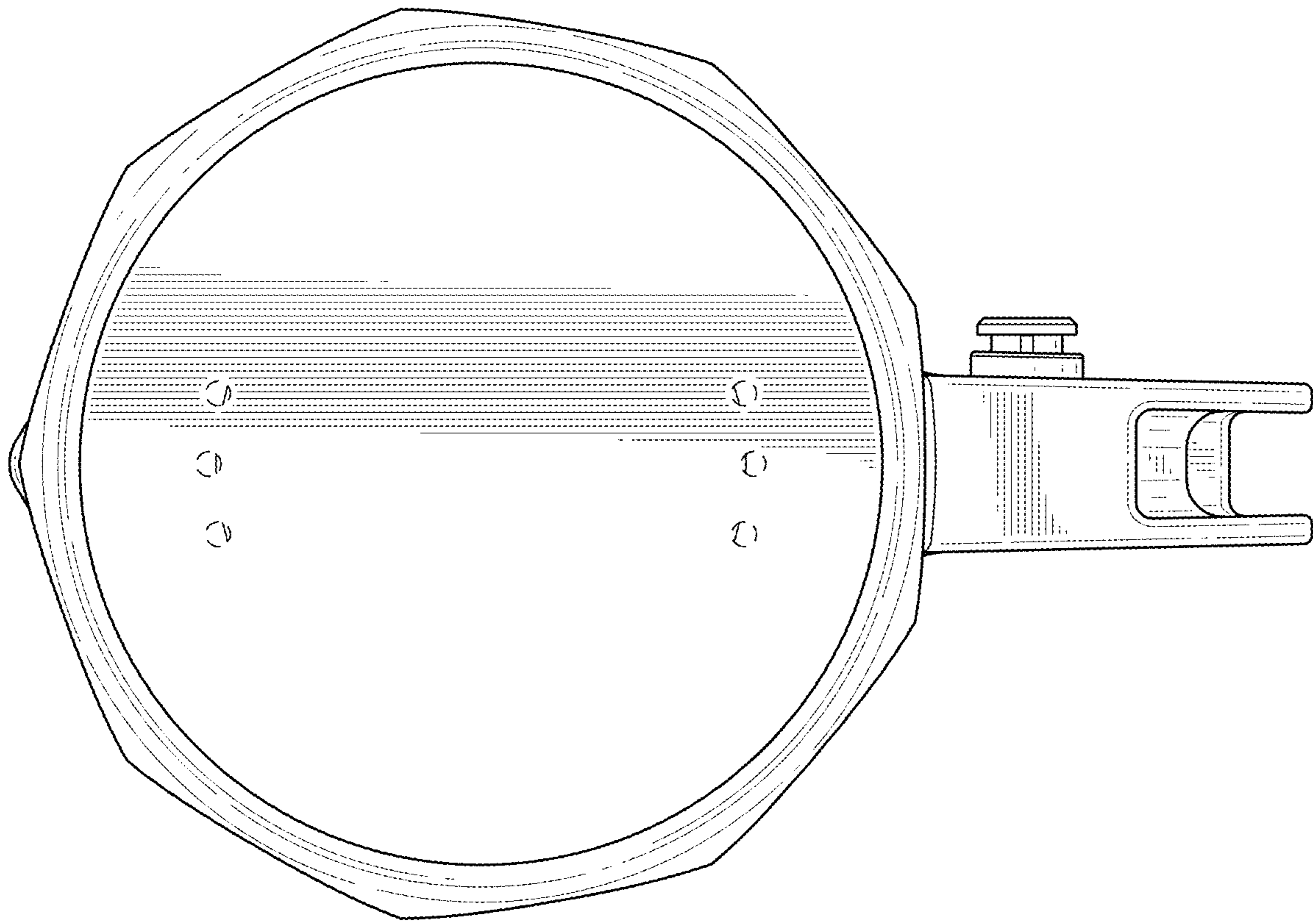


FIG.7