



US00D977892S

(12) **United States Design Patent** (10) **Patent No.:** **US D977,892 S**
Madier de Champvermeil et al. (45) **Date of Patent:** **** *Feb. 14, 2023**

(54) **WATER FILTER PITCHER**

(56) **References Cited**

(71) Applicant: **Vestergaard SA**, Lausanne (CH)

U.S. PATENT DOCUMENTS

(72) Inventors: **Jean-Luc Madier de Champvermeil**,
Lausanne (CH); **Jean-Marc Pascal**,
Saint Etienne de Crossey (FR);
Mathieu Corbineau, Lausanne (CH);
Søren Rose, Copenhagen (DK); **Alison**
Hill, Washington, DC (US); **Mikkel**
Vestergaard Frandsen, Lausanne (CH)

D217,734 S * 6/1970 Abramson D7/317
D561,519 S * 2/2008 Ranzoni D7/317
D624,348 S * 9/2010 Bodum D7/319

(Continued)

(73) Assignee: **LIFESTRAW SÀRL**, Lausanne (CH)

OTHER PUBLICATIONS

(*) Notice: This patent is subject to a terminal disclaimer.

Design No. 304622717, May 11, 2018—China National Intellectual Property Administration (CNIPA) Publication Date—May 11, 2018
Owner—Lilac Guangdong Industrial Co Ltd, Designer—Liang Guoquan WIPO, available at <https://www3.wipo.int/designdb/en/index.jsp> (Year: 2018).*

(Continued)

(**) Term: **15 Years**

Primary Examiner — Mary Ann Calabrese

Assistant Examiner — Natalya M Rapundalo

(21) Appl. No.: **29/715,864**

(74) *Attorney, Agent, or Firm* — Cermak Nakajima & McGowan LLP; James Creighton Wray

(22) Filed: **Dec. 5, 2019**

(57) **CLAIM**

The ornamental design for a water filter pitcher, as shown and described.

(30) **Foreign Application Priority Data**

Nov. 4, 2019 (EP) 007180179

DESCRIPTION

(51) **LOC (14) Cl.** **07-01**

(52) **U.S. Cl.**
USPC **D7/319**

(58) **Field of Classification Search**
USPC D7/300, 300.1, 301–303, 312–321, 376,
D7/378, 393–395, 396.1, 396.2, 397–401,
D7/413, 598, 600, 601, 602, 619.1, 622,
D7/629, 709

CPC A45F 3/16; A47G 19/12; A47G 19/127;
A47G 19/14; A47G 19/16; A47G 19/22;
A47G 19/30; A47G 2019/122; A47J
27/21; A47J 27/21008; A47J 27/2105;
A47J 27/21058; A47J 27/21083; A47J
27/21183; A47J 27/21191; A47J 31/005;
A47J 31/0642; A47J 31/54

See application file for complete search history.

FIG. 1 is a left side, front and top perspective view of the water filter pitcher.

FIG. 2 is a front elevation of the water filter pitcher shown in FIG. 1.

FIG. 3 is a back elevation of the water filter pitcher shown in FIGS. 1 and 2.

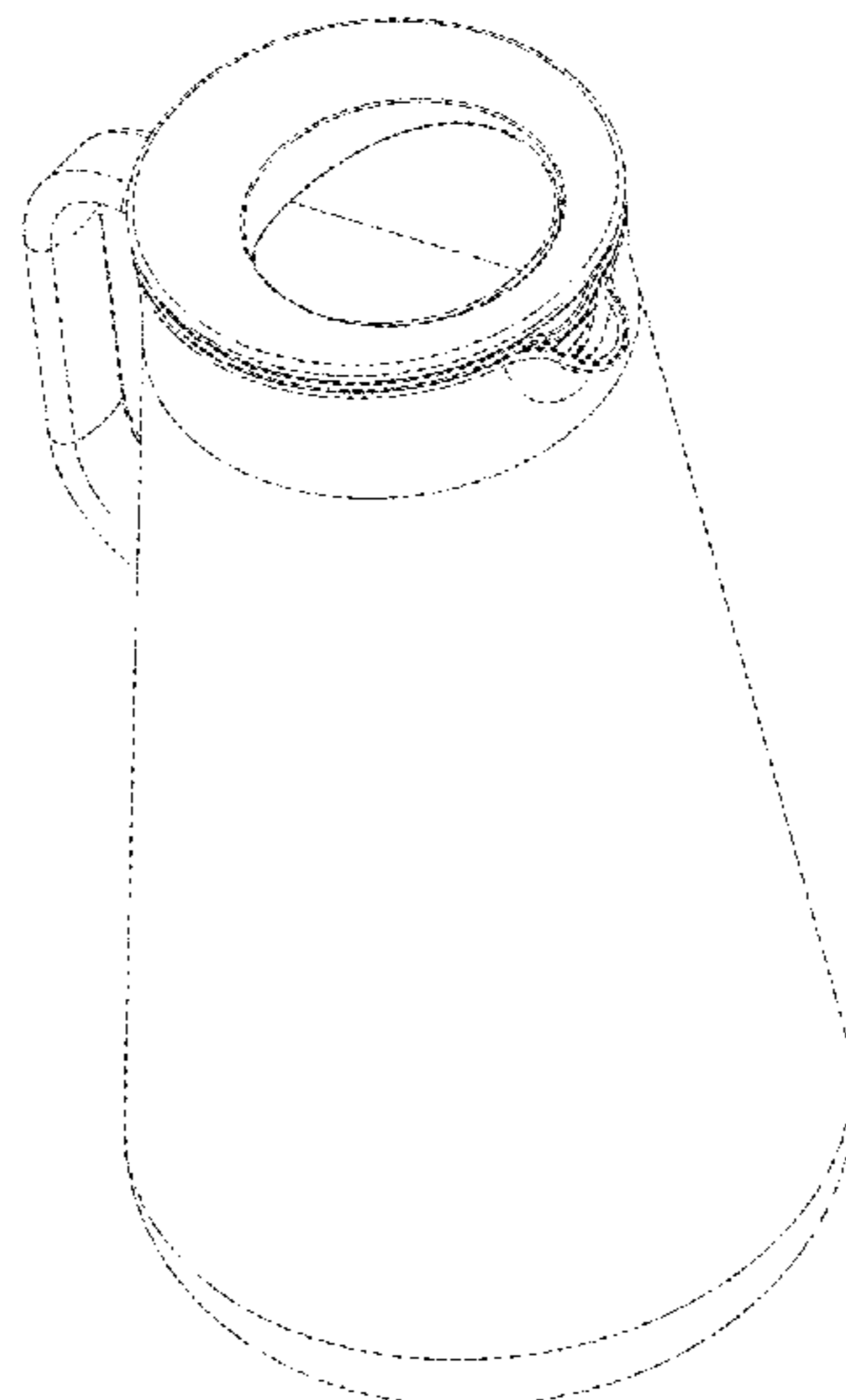
FIG. 4 is a left side elevation of the water filter pitcher shown in FIGS. 1-3.

FIG. 5 is a right side elevation of the water filter pitcher shown in FIGS. 1-4.

FIG. 6 is a top plan view of the water filter pitcher shown in FIGS. 1-5; and,

FIG. 7 is a bottom view of the water filter pitcher shown in FIGS. 1-6.

1 Claim, 7 Drawing Sheets



(56)

References Cited

U.S. PATENT DOCUMENTS

D648,592 S	*	11/2011	Bodum	D7/317
D729,003 S	*	5/2015	Manly	D7/399
D730,675 S	*	6/2015	Williams	D7/317
D874,861 S	*	2/2020	Alexander	D7/318
D925,260 S	*	7/2021	Du	D7/319
D928,543 S	*	8/2021	Jin	D7/319
D945,811 S	*	3/2022	Knott	D7/316

OTHER PUBLICATIONS

Design No. 304911446, Nov. 27, 2018—China National Intellectual Property Administration (CNIPA) Publication Date—Nov. 27, 2018
 Owner—Lu junhong WIPO, available at <https://www3.wipo.int/designdb/en/index.jsp> (Year: 2018).*

Design No. 007180179-0001, Nov. 4, 2019—European Union Intellectual Property Office (EUIPO) Publication Date—Nov. 15, 2019
 Owner—Vestergaard SA, Designer—Mikkel Vestergaard et. al.

DesignView, available at www.tmdn.org/tmdsview-web/welcome (Year: 2019).*

LifeStraw Home: Advanced Glass Water Filter Pitcher, first available Feb. 28, 2019, Kickstarter, [online], [site visited Jun. 2, 2021], Available from internet URL: <https://www.kickstarter.com/projects/lifestraw/lifestraw-home-advanced-glass-water-filter-pitcher/posts> (Year: 2019).*

Lifestraw Home 1-Year Complete Filter Replacement Pack, first available May 19, 2021, Amazon, [online], [site visited Jun. 2, 2021], Available from internet URL: <https://www.amazon.com/LifeStraw-Bacteria-Parasites-Microplastics-Chemicals/dp/B081713ZPX> (Year: 2021).*

Lifestraw Home Water Filter Pitcher, LifeStraw, [online], [site visited Jun. 2, 2021], Available from internet URL: <https://www.lifestraw.com/collections/daily-use/products/lifestraw-home> (Year: 2021).*

Hydros Water Filter Pitcher 64 oz, Hydros Life, [online], [site visited Jun. 2, 2021], Available from internet URL: <https://hydroslife.com/products/64oz-pitcher?variant=30578120360071> (Year: 2021).*

* cited by examiner

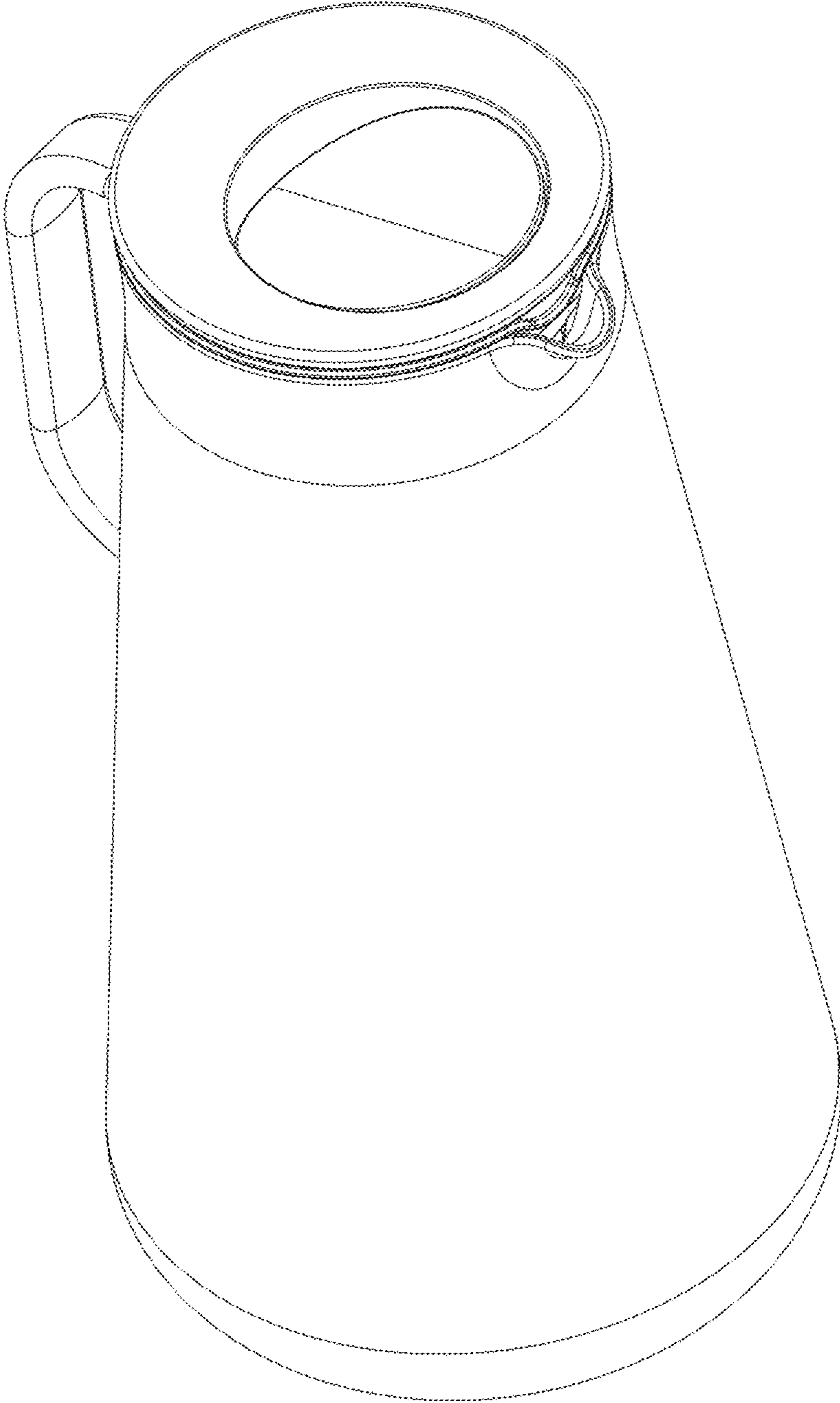


FIG. 1

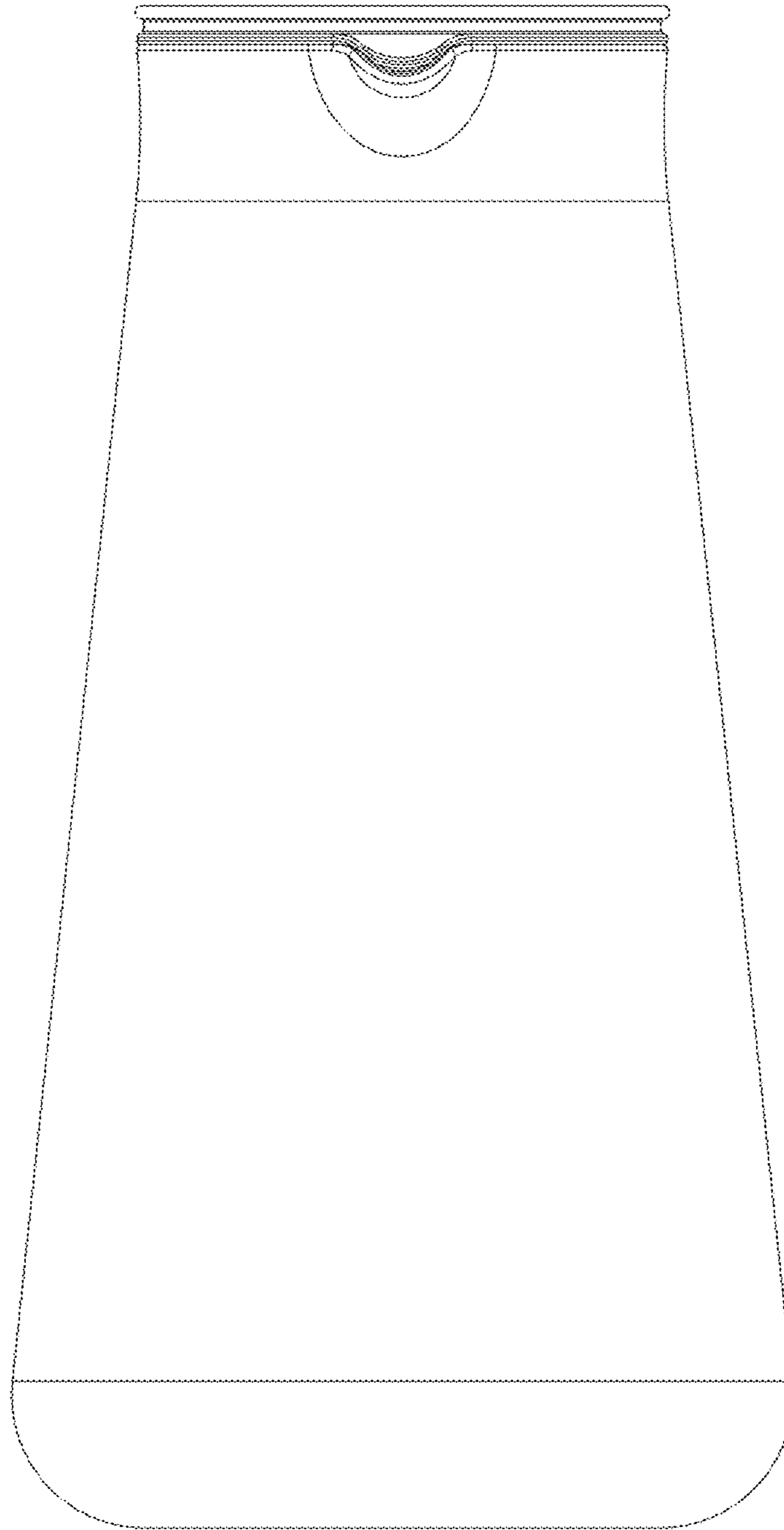


FIG.2

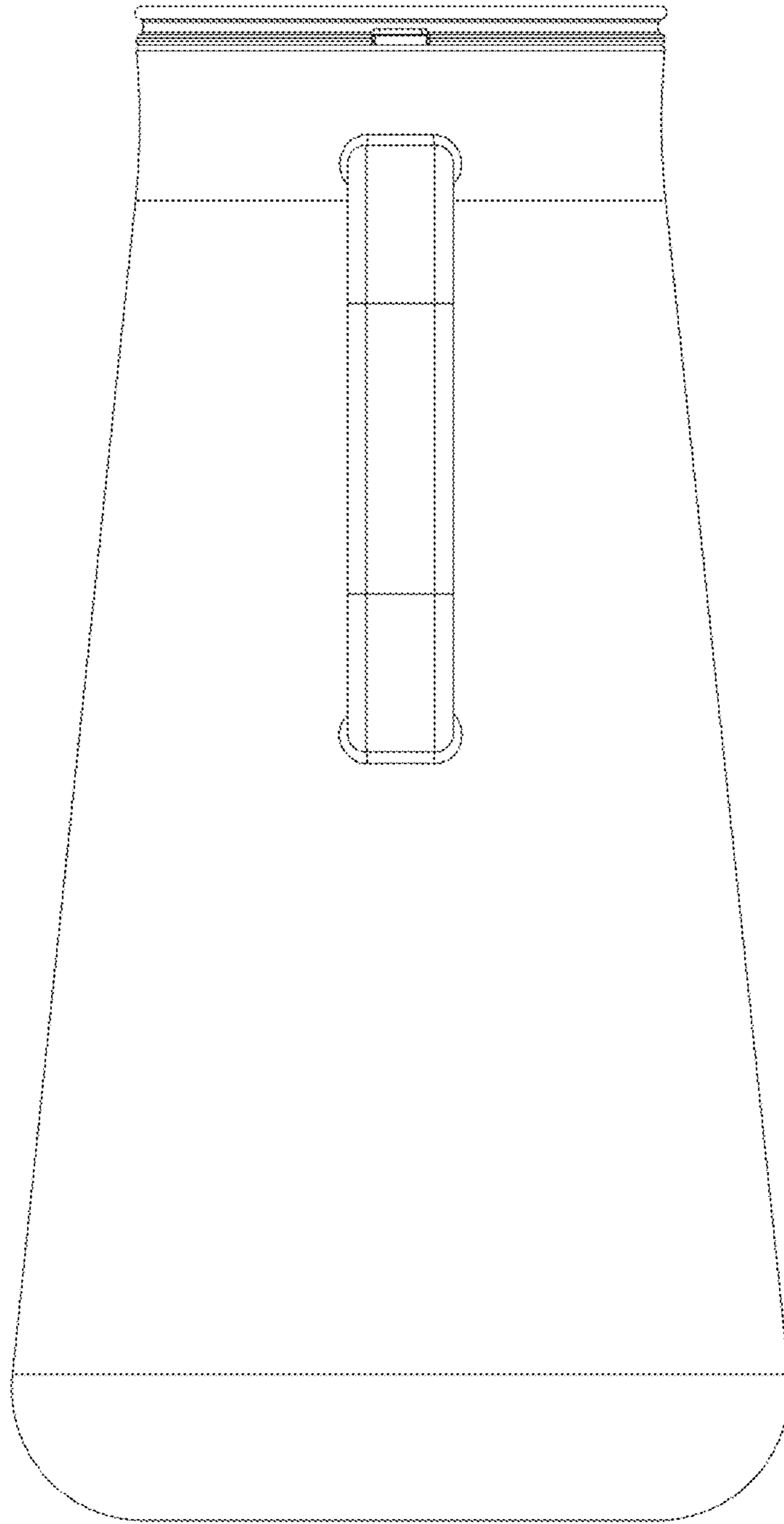


FIG. 3

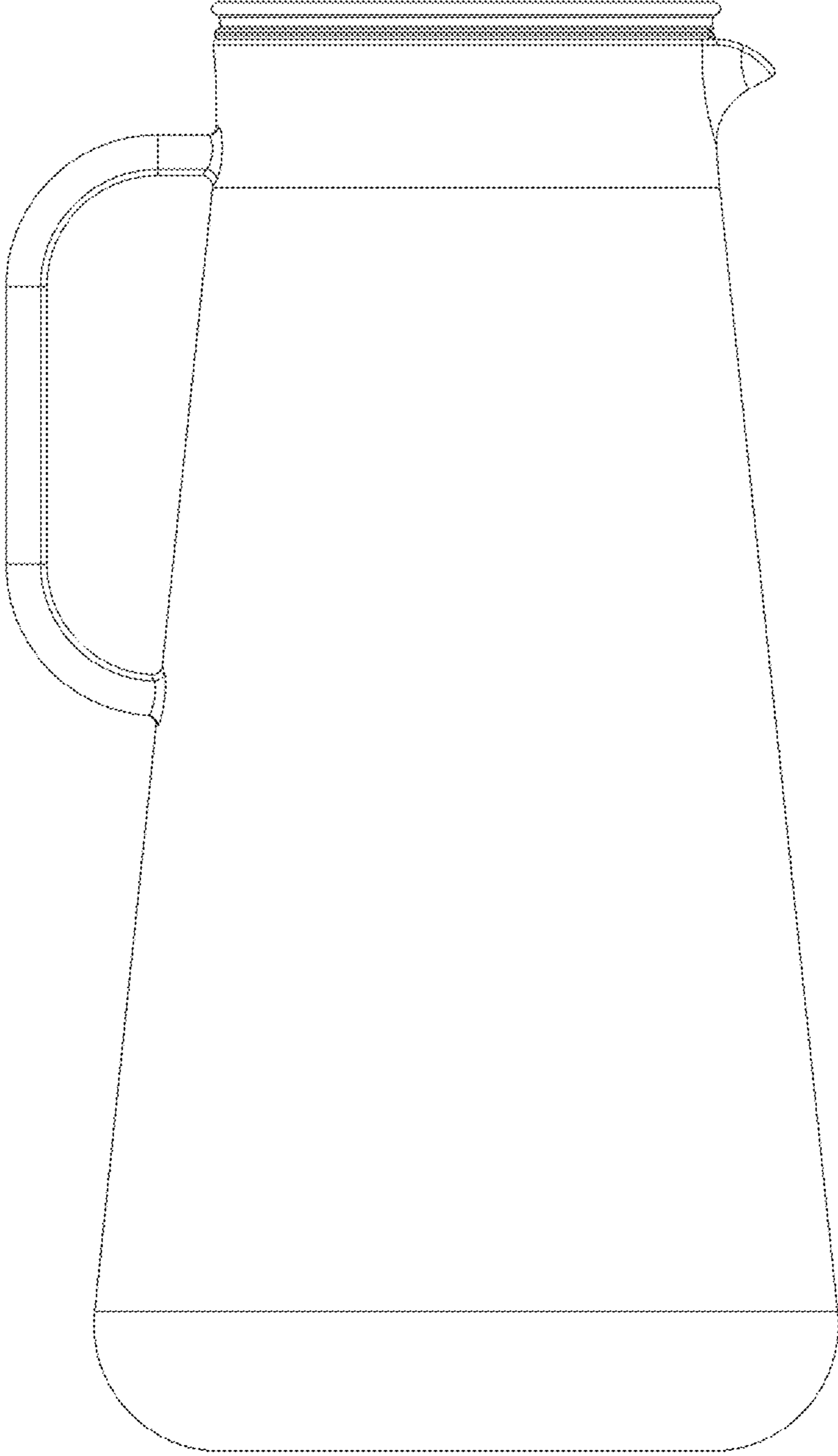


FIG. 4

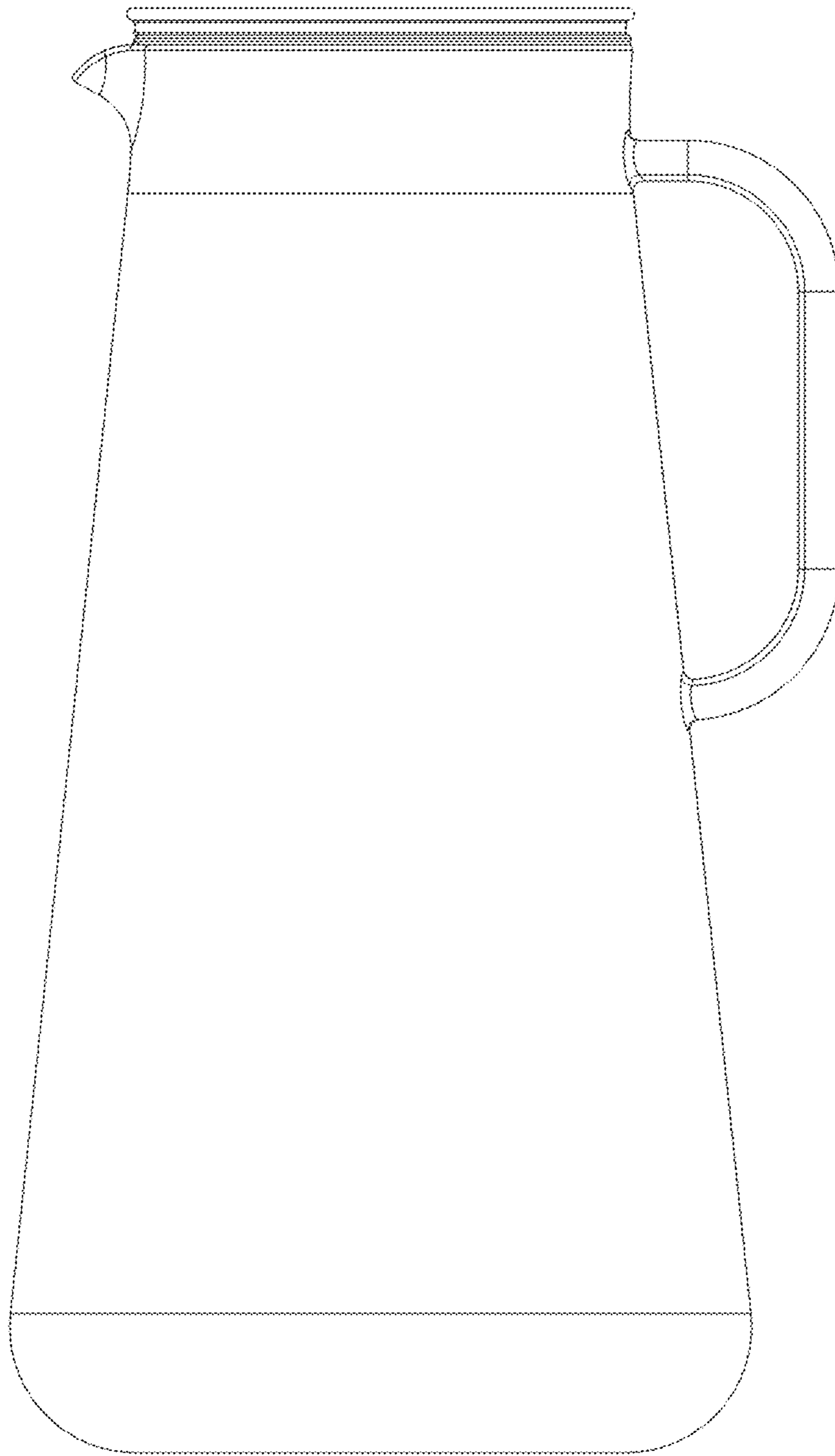


FIG. 5

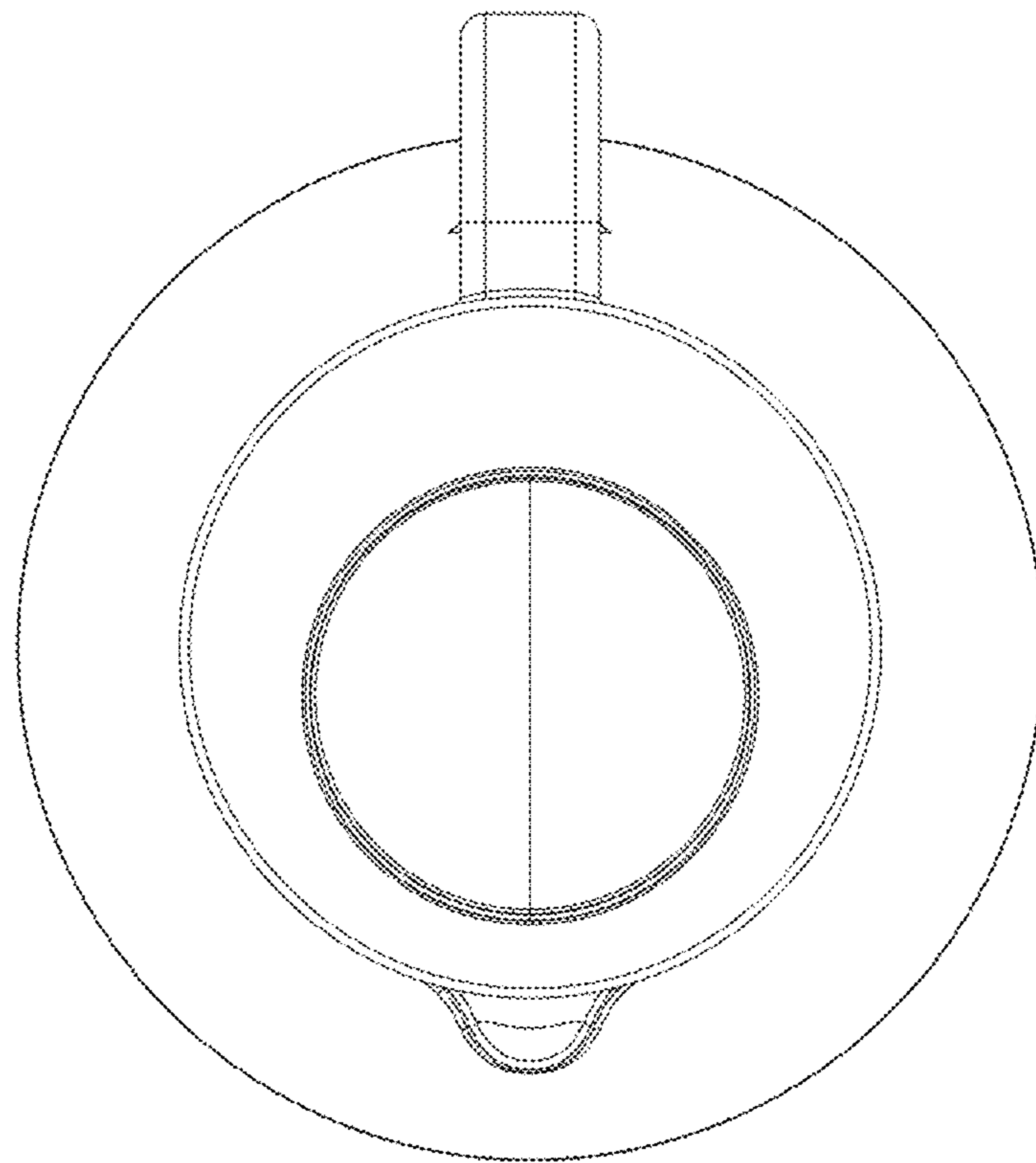


FIG. 6

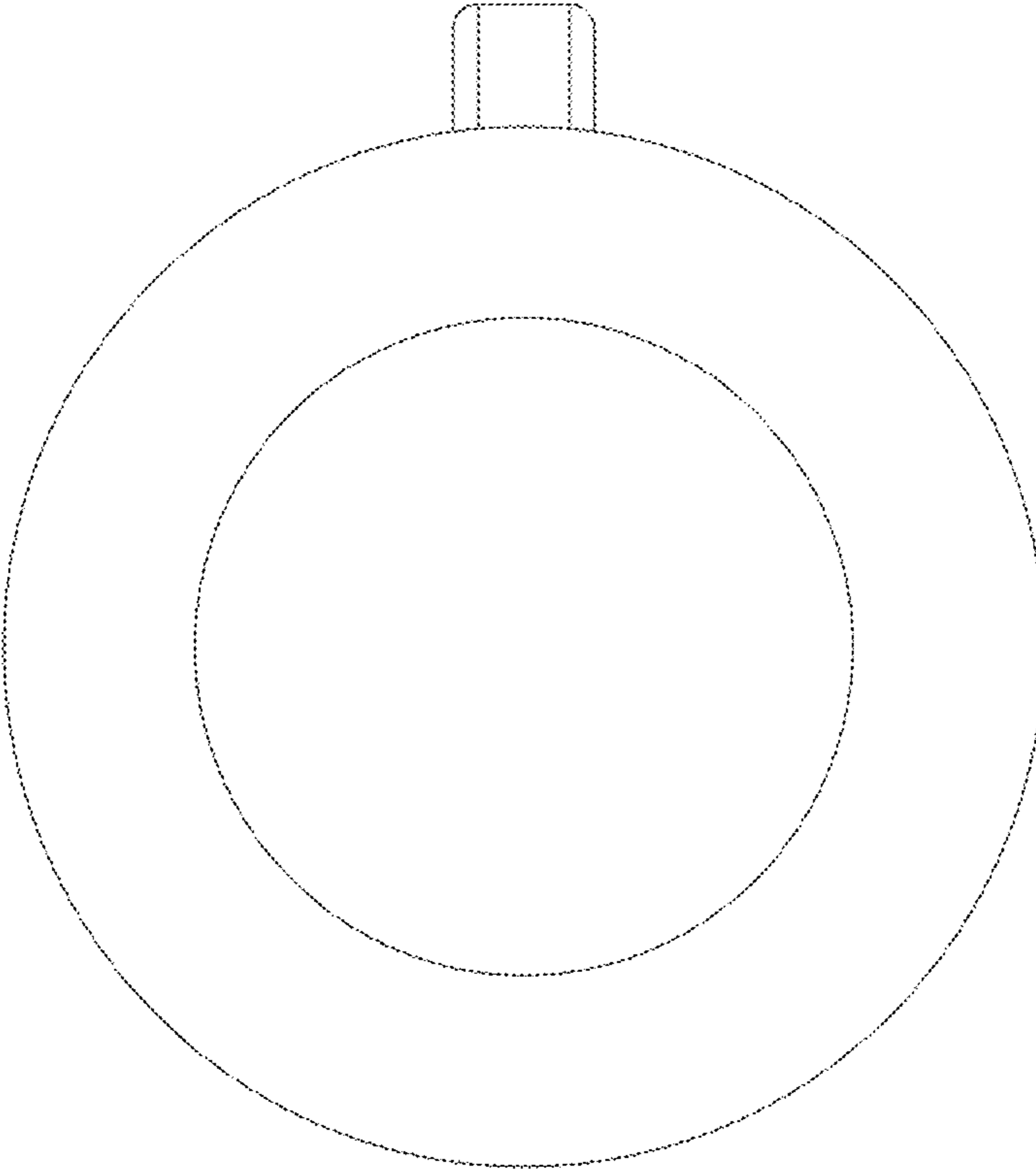


FIG. 7