



US00D977890S

(12) **United States Design Patent** (10) **Patent No.:** **US D977,890 S**  
**Chan et al.** (45) **Date of Patent:** **\*\* Feb. 14, 2023**

(54) **BEVERAGE DISPENSER**  
(71) Applicant: **Keurig Green Mountain, Inc.**,  
Burlington, MA (US)  
(72) Inventors: **Wai Kean Chan**, Singapore (SG);  
**Mohan Arjonut**, Johor (MY); **Soy Lee**  
**Loh**, Johor (MY); **Edward A. Mello,**  
**III**, Shrewsbury, MA (US)  
(73) Assignee: **Keurig Green Mountain, Inc.**,  
Burlington, MA (US)

D586,171 S \* 2/2009 Picozza ..... D7/311  
D658,423 S \* 5/2012 Curtis ..... D7/311  
9,149,152 B2 10/2015 Cahen et al.  
D755,001 S \* 5/2016 Lintner ..... D7/306  
D777,498 S \* 1/2017 Bandixen ..... D7/306  
D836,371 S \* 12/2018 Cahen ..... D7/306  
D849,464 S \* 5/2019 McConnell ..... D7/311  
10,408,533 B2 9/2019 Kim et al.  
D872,225 S \* 1/2020 Joo ..... D23/207  
D877,563 S \* 3/2020 Cauwood ..... D7/397  
D879,530 S \* 3/2020 Cauwood ..... D7/306  
D879,531 S \* 3/2020 Cauwood ..... D7/306  
D882,336 S \* 4/2020 Cauwood ..... D7/397

(Continued)

(\*\*) Term: **15 Years**

**FOREIGN PATENT DOCUMENTS**

(21) Appl. No.: **29/805,534**  
(22) Filed: **Aug. 27, 2021**  
(51) **LOC (14) Cl.** ..... **07-01**  
(52) **U.S. Cl.**  
USPC ..... **D7/306**  
(58) **Field of Classification Search**  
USPC ..... D7/300, 306, 309, 310, 311, 313, 317,  
D7/321, 392, 392.1, 399; D9/434, 435;  
D23/207  
CPC .. A47G 19/12; A47G 19/14; A47G 2019/122;  
A47J 31/02; A47J 31/057; A47J 31/0573;  
A47J 31/043; A47J 31/06; A47J 31/50;  
A47J 31/56; A47J 31/053; B67D 1/06;  
B67D 3/0009; B67D 2581/3409  
See application file for complete search history.

WO WO 2019/192778 A1 10/2019

*Primary Examiner* — Joseph Kukella  
*Assistant Examiner* — Darryl J Dardenne

(74) *Attorney, Agent, or Firm* — Wolf, Greenfield &  
Sacks, P.C.

(57) **CLAIM**

The ornamental design for a beverage dispenser, as shown  
and described.

**DESCRIPTION**

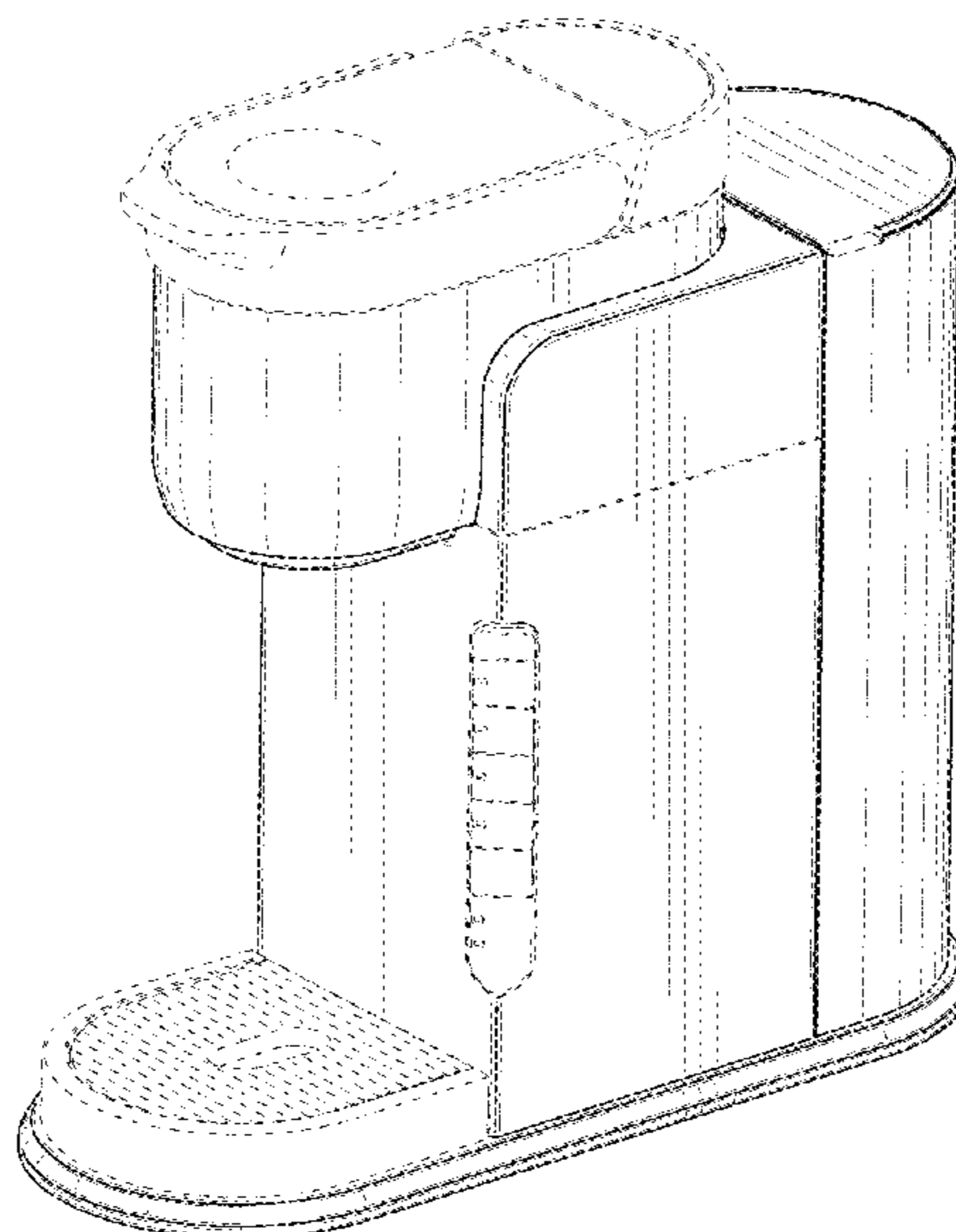
FIG. 1 is a top, front, right side perspective view of a  
beverage dispenser;  
FIG. 2 is a front elevation view hereof;  
FIG. 3 is a rear elevation view thereof;  
FIG. 4 is a left side elevation view thereof;  
FIG. 5 is a right side elevation view thereof;  
FIG. 6 is a top plan view thereof; and,  
FIG. 7 is a bottom plan view thereof.

The short dash-long dash broken lines illustrate boundaries  
of the claimed design and form no part of the claimed  
design. The dash-dash broken lines illustrate portions of the  
beverage dispenser that form no part of the claimed design.

(56) **References Cited**  
**U.S. PATENT DOCUMENTS**

D265,042 S \* 6/1982 Hanson ..... D7/309  
D304,410 S \* 11/1989 Tsuji ..... D7/309  
D319,163 S \* 8/1991 Naft ..... D7/309  
D321,807 S \* 11/1991 Adams ..... D7/308  
D343,758 S \* 2/1994 Beeren ..... D7/311  
D550,499 S \* 9/2007 Argabrite ..... D7/311  
D577,252 S \* 9/2008 Kotoku ..... D7/399

**1 Claim, 5 Drawing Sheets**



(56)

**References Cited**

U.S. PATENT DOCUMENTS

D885,817	S *	6/2020	Ye .....	D7/306
D893,945	S *	8/2020	Cauwood .....	D7/397
D894,660	S *	9/2020	McConnell .....	D7/311
D943,329	S *	2/2022	Cha .....	D7/306
D943,331	S *	2/2022	Cauwood .....	D7/309
D945,201	S *	3/2022	Nalen .....	D7/311
D948,911	S *	4/2022	Cha .....	D7/311
D948,913	S *	4/2022	Cha .....	D7/311
D955,797	S *	6/2022	Nalen .....	D7/306
D960,625	S *	8/2022	Kim .....	D7/311
2011/0168026	A1	7/2011	Cahen et al.	
2015/0223635	A1	8/2015	Mulvaney	
2018/0002153	A1 *	1/2018	Kim .....	B67D 1/0888
2019/0216256	A1	7/2019	Nabeiro et al.	

\* cited by examiner

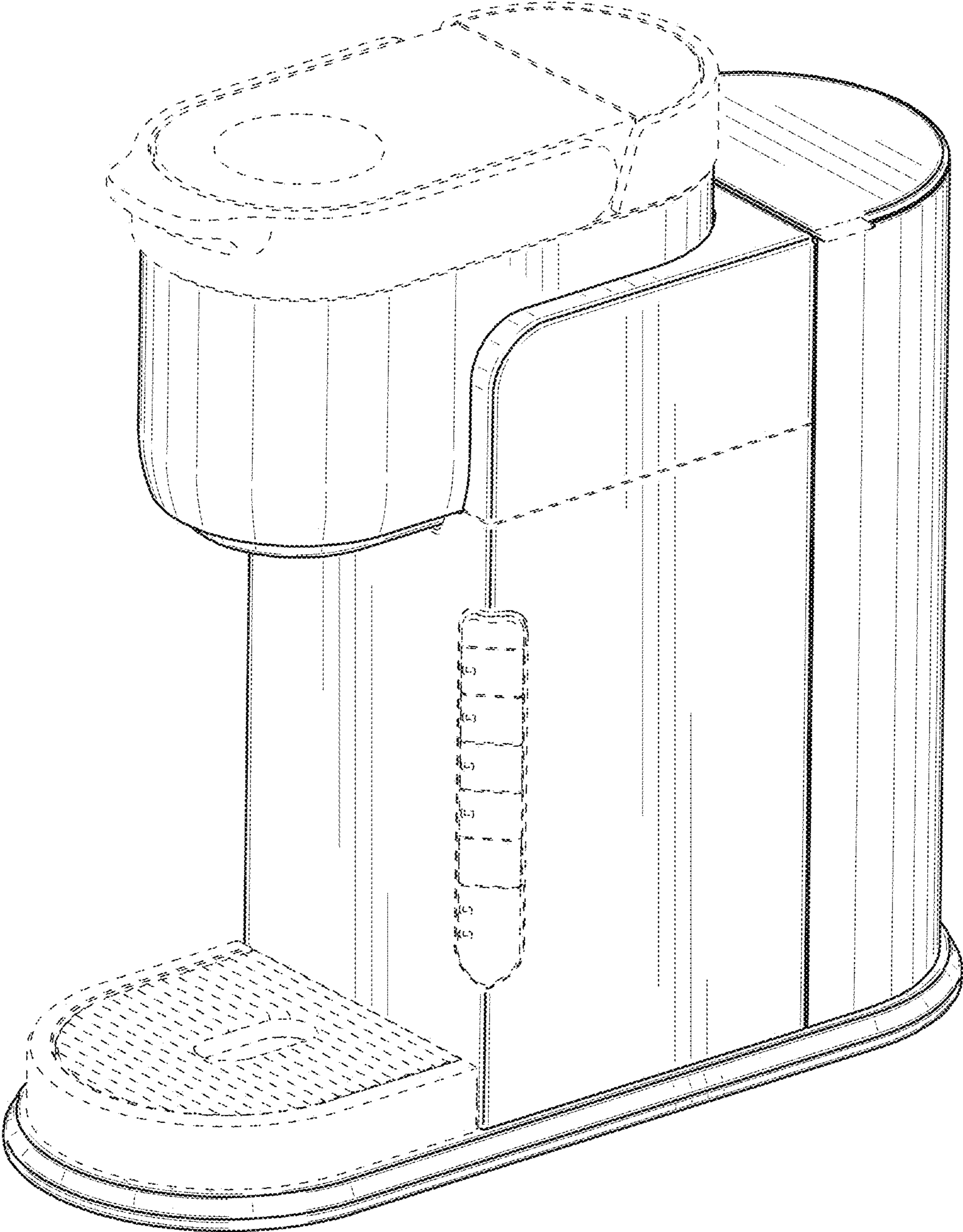


FIG. 1

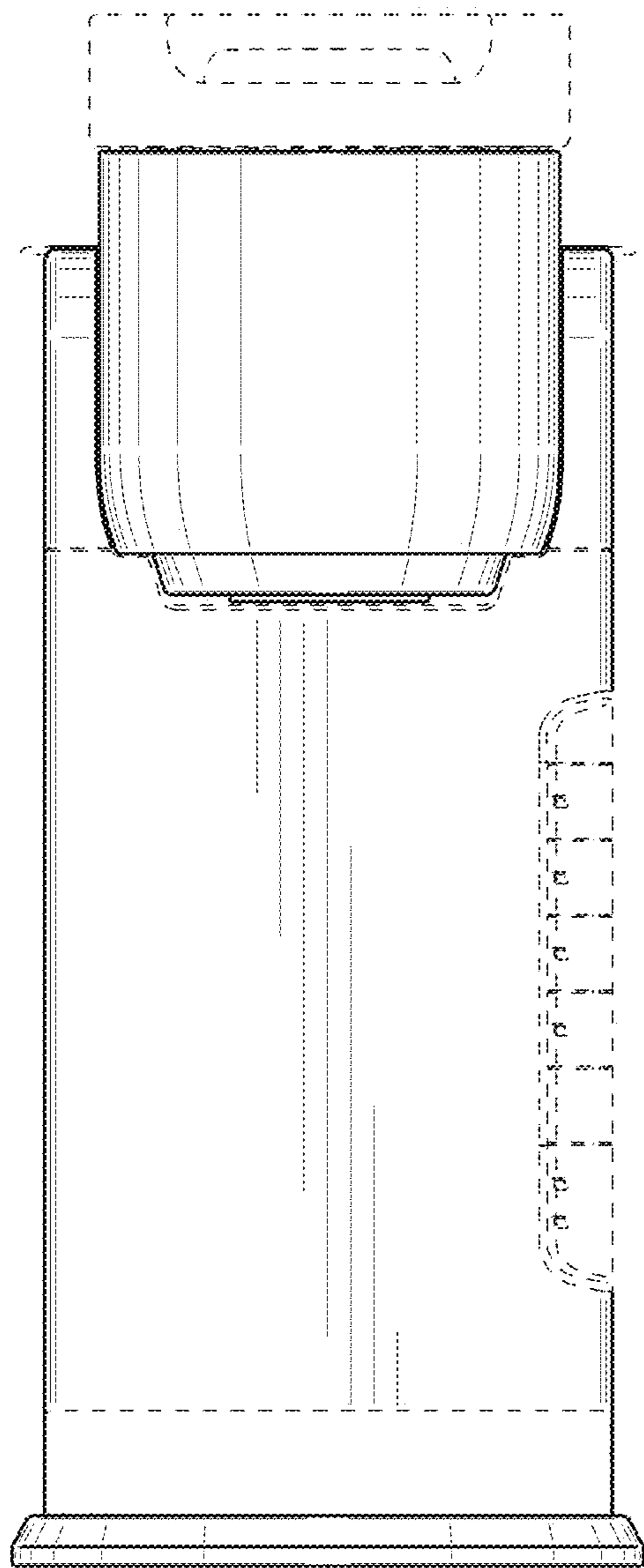


FIG. 2

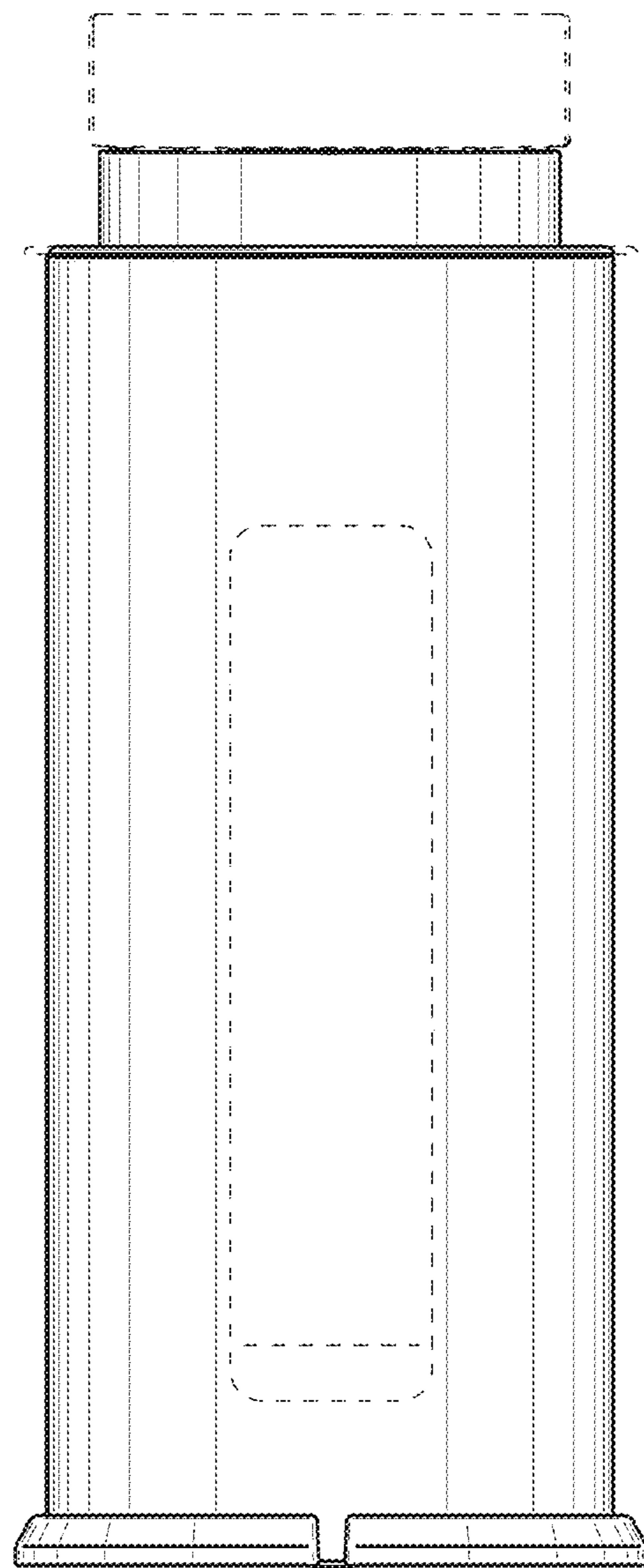


FIG. 3

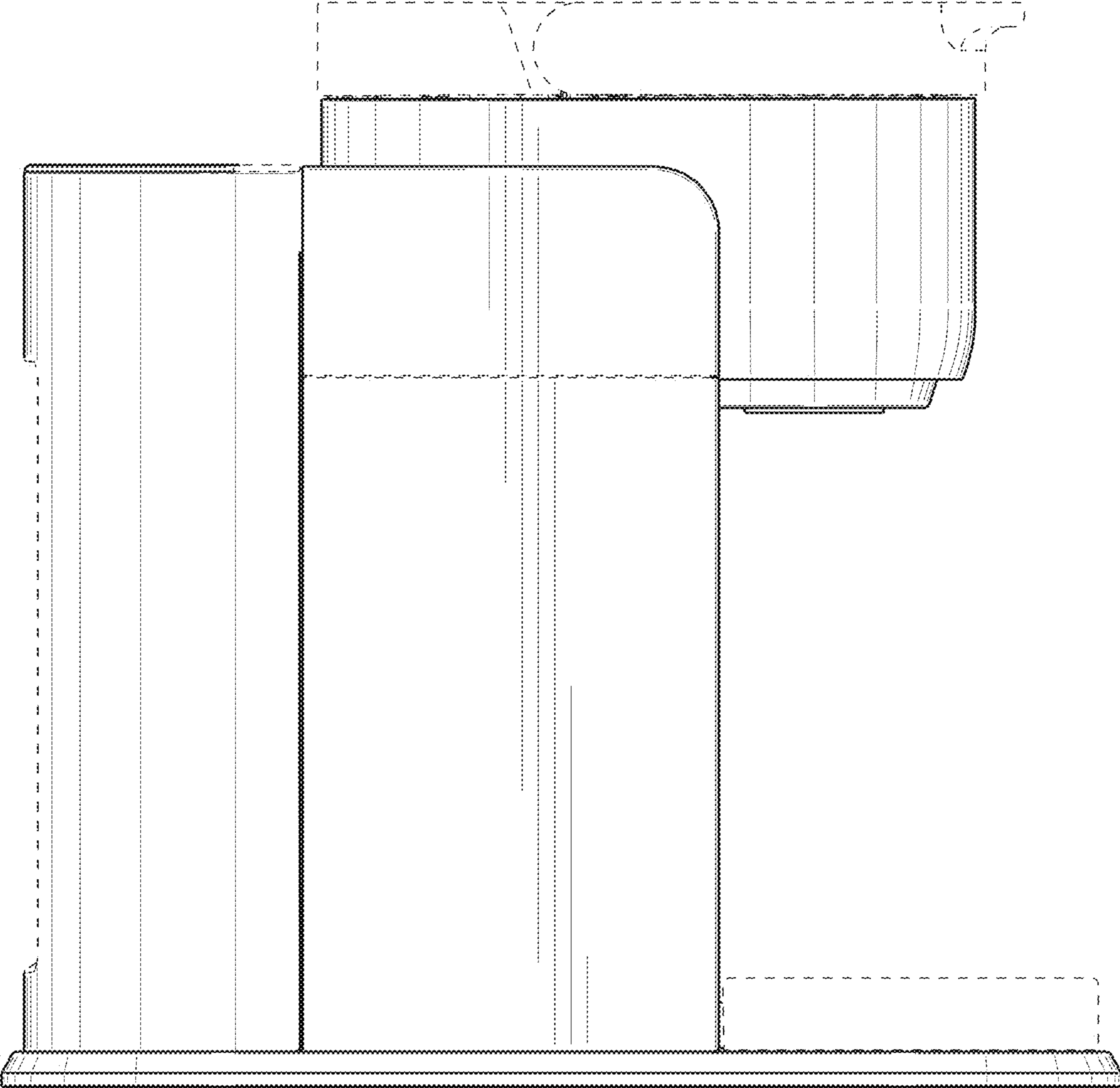


FIG. 4

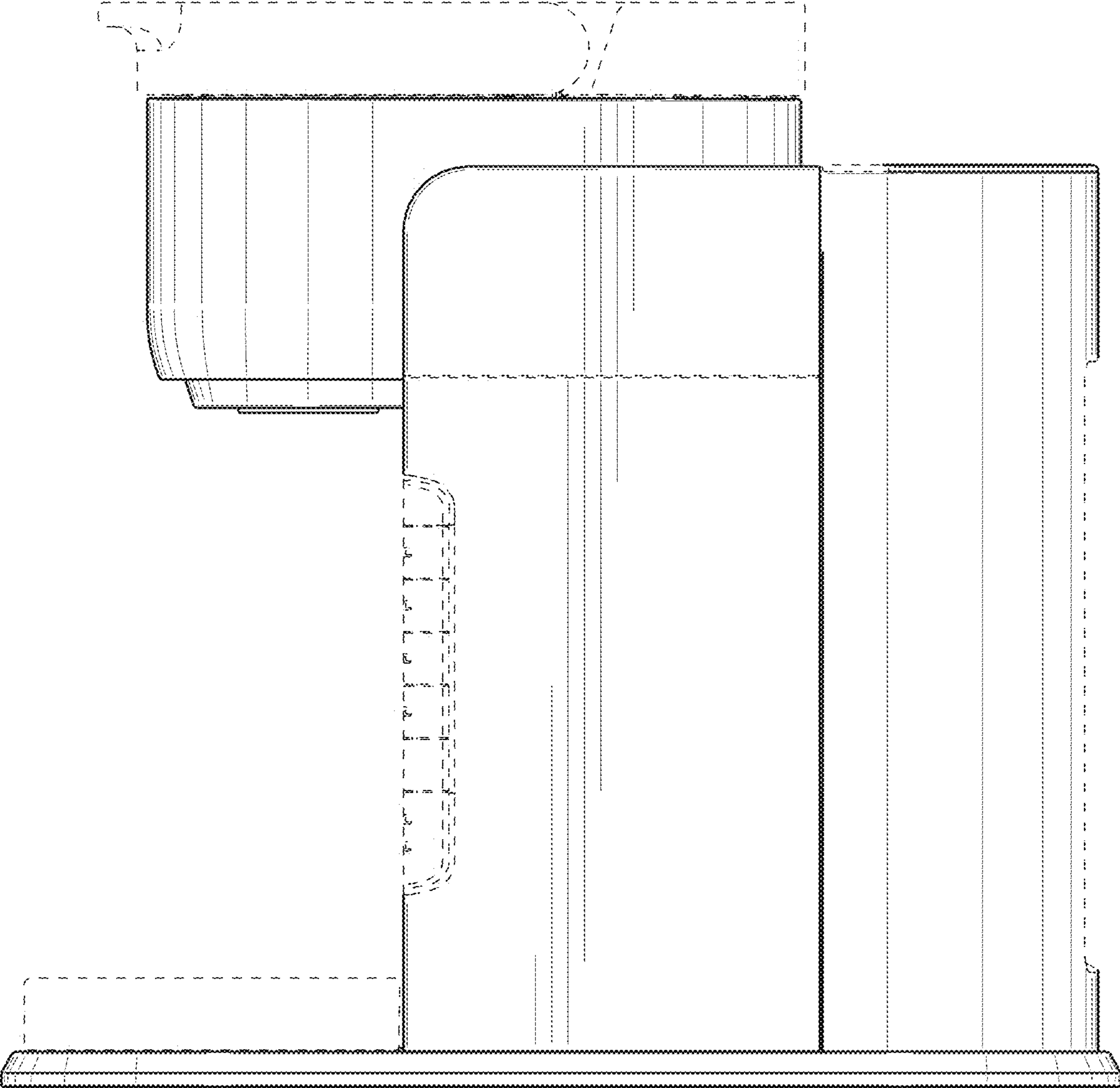


FIG. 5

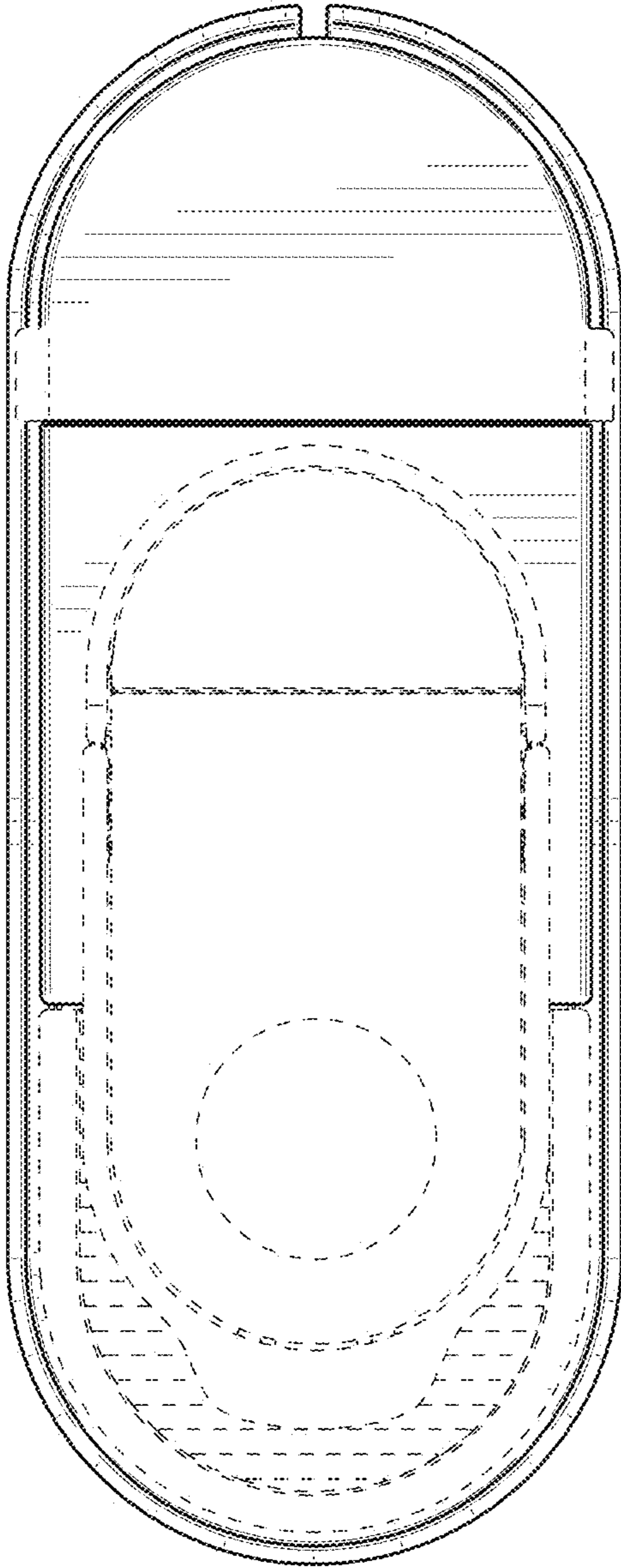


FIG. 6

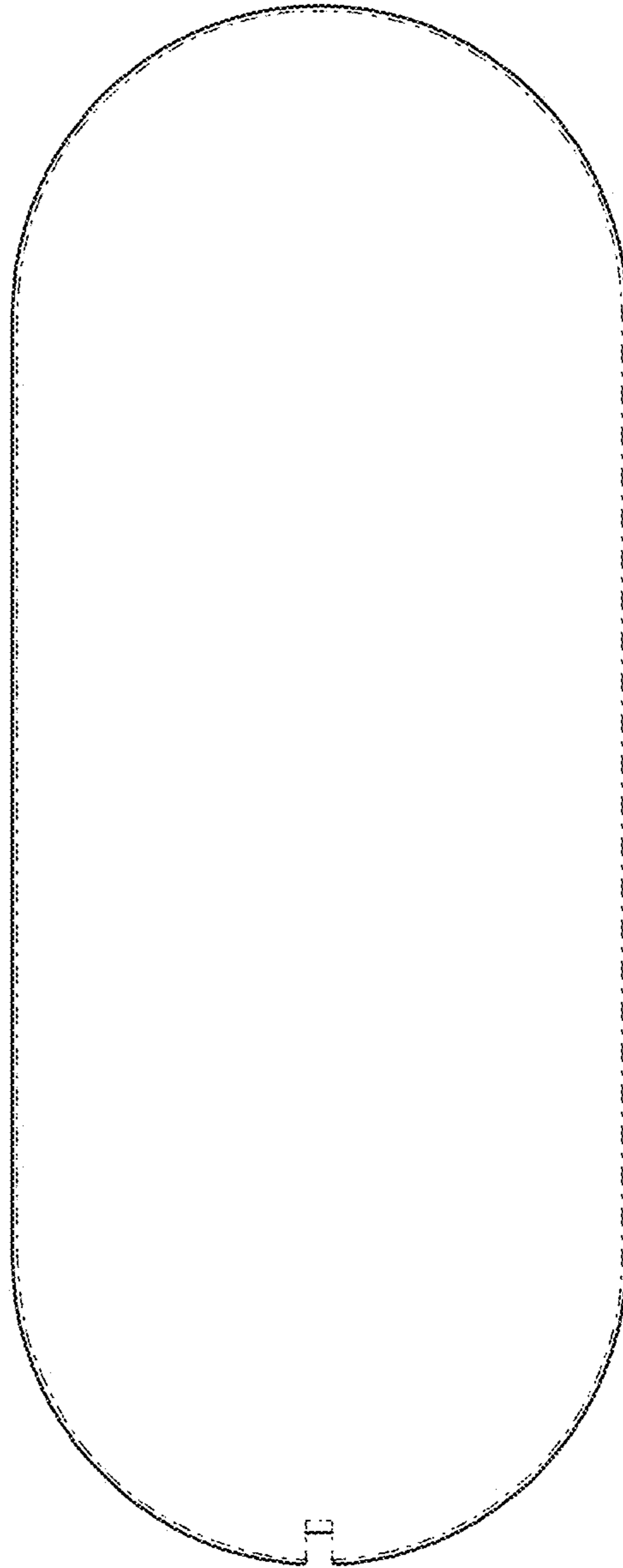


FIG. 7