



US00D977888S

(12) **United States Design Patent** (10) **Patent No.:** **US D977,888 S**
Liu (45) **Date of Patent:** **** Feb. 14, 2023**

(54) **BAR CHAIR**

(71) Applicant: **Siyi Liu, Jiaxing (CN)**

(72) Inventor: **Siyi Liu, Jiaxing (CN)**

(**) Term: **15 Years**

(21) Appl. No.: **29/854,272**

(22) Filed: **Sep. 23, 2022**

(51) **LOC (14) Cl.** **06-06**

(52) **U.S. Cl.**
USPC **D6/716.4**

(58) **Field of Classification Search**
USPC D6/369, 375, 377, 379, 380, 716.4, 332,
D6/334, 335, 364, 358, 363, 371, 643,
D6/643.1, 644, 366, 374, 716, 357, 381;
D12/345; D25/138
CPC A47B 91/04; A47C 1/143; A47C 3/00;
A47C 3/023; A47C 3/12; A47C 4/02;
A47C 5/12; A47C 7/002; A47C 7/46;
A47C 7/66; A47C 9/005; A47C 9/025;
Y10S 297/02

See application file for complete search history.

(56) **References Cited**

U.S. PATENT DOCUMENTS

D173,389 S	*	11/1954	Sherman	D6/334
D183,743 S	*	10/1958	Howell	D6/334
D191,305 S	*	9/1961	Grosskopf	D6/370
D395,759 S	*	7/1998	Smith	D6/381
D437,496 S	*	2/2001	Vu	D6/377
D612,622 S	*	3/2010	Paulin	D6/334
D628,400 S	*	12/2010	Duchaufour Lawrance	..	D6/334
D638,633 S		5/2011	Du		
D672,579 S		12/2012	Vass		
D741,610 S	*	10/2015	Lee	D6/364
D741,611 S	*	10/2015	Lee	D6/364

D781,606 S		3/2017	Ngo		
D799,229 S		10/2017	Pan		
D815,452 S	*	4/2018	Hannoosh	D6/375
D821,777 S	*	7/2018	Hale	D6/375
D838,505 S		1/2019	Ngo		
D846,930 S		4/2019	Patton		
D848,165 S		5/2019	Saito		
D897,127 S	*	9/2020	Li	D6/380
D905,460 S	*	12/2020	Bjerre-Poulsen	D6/375
D906,701 S	*	1/2021	Li	D6/334
D910,324 S		2/2021	Tao		
D931,644 S	*	9/2021	Li	D6/375
D932,790 S		10/2021	Lu		
D938,182 S		12/2021	Li		

* cited by examiner

Primary Examiner — Kevin K Rudzinski
Assistant Examiner — Paul D Bohannon
(74) *Attorney, Agent, or Firm* — Rumit Ranjit Kanakia

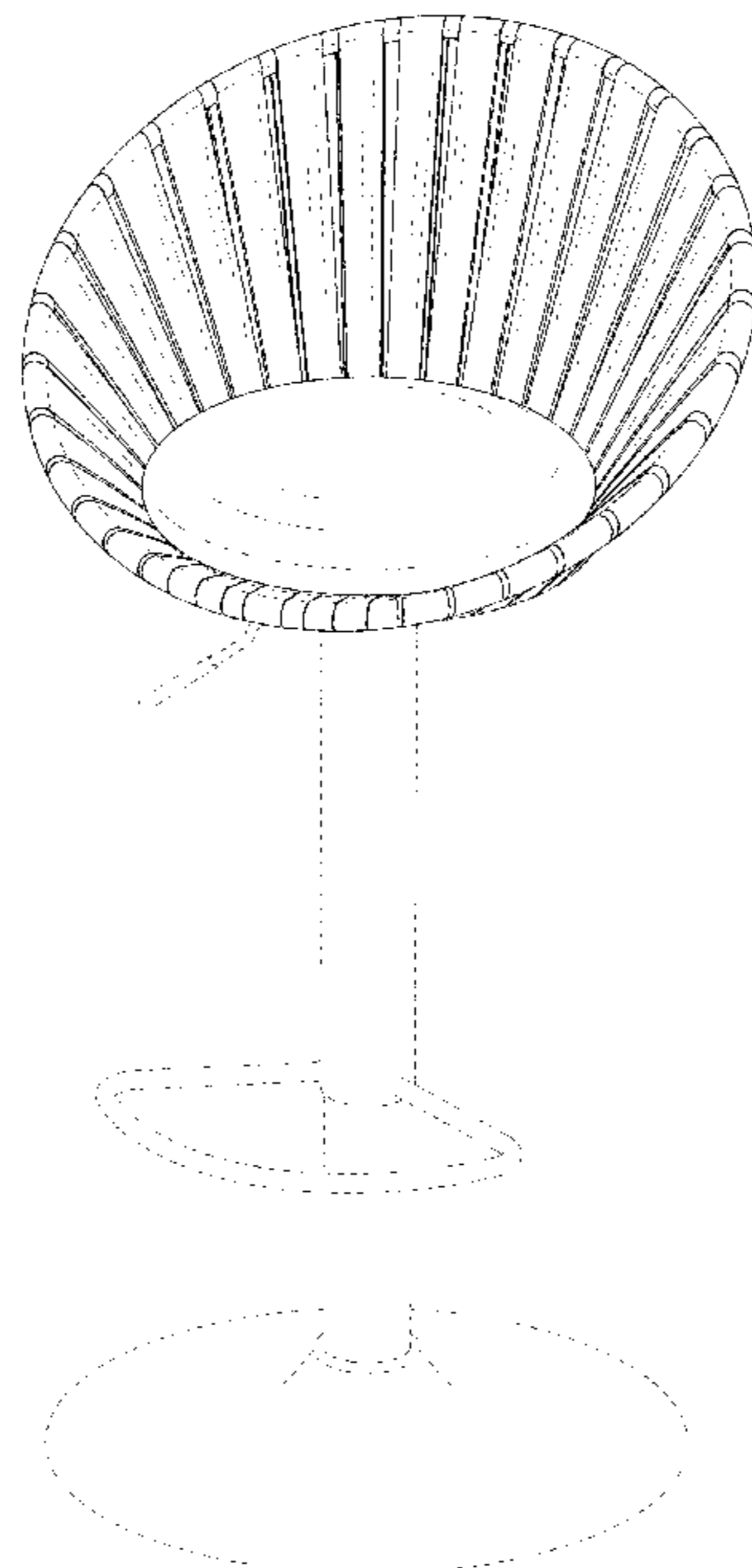
(57) **CLAIM**

The ornamental design for a bar chair, as shown and described.

DESCRIPTION

FIG. 1 is a perspective view of a bar chair, showing my new design;
FIG. 2 is another perspective view thereof;
FIG. 3 is a front elevational view thereof;
FIG. 4 is a rear elevational view thereof;
FIG. 5 is a left side view thereof;
FIG. 6 is a right side view thereof;
FIG. 7 is a top plan view thereof; and,
FIG. 8 is a bottom plan view thereof.
The broken lines in the figures are for the purposes of illustrating portions of the bar chair, which form no part of the claimed design.

1 Claim, 8 Drawing Sheets



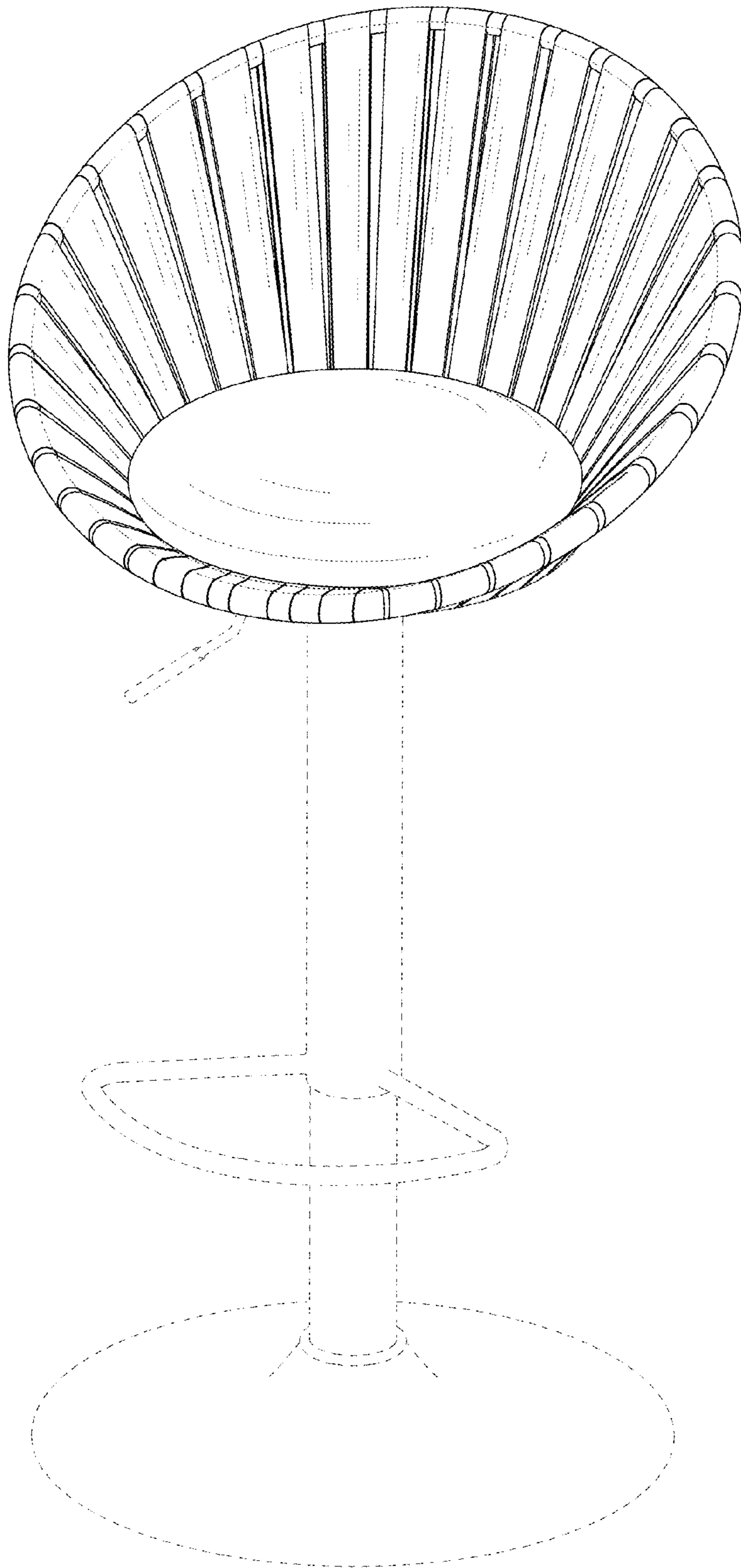


FIG. 1

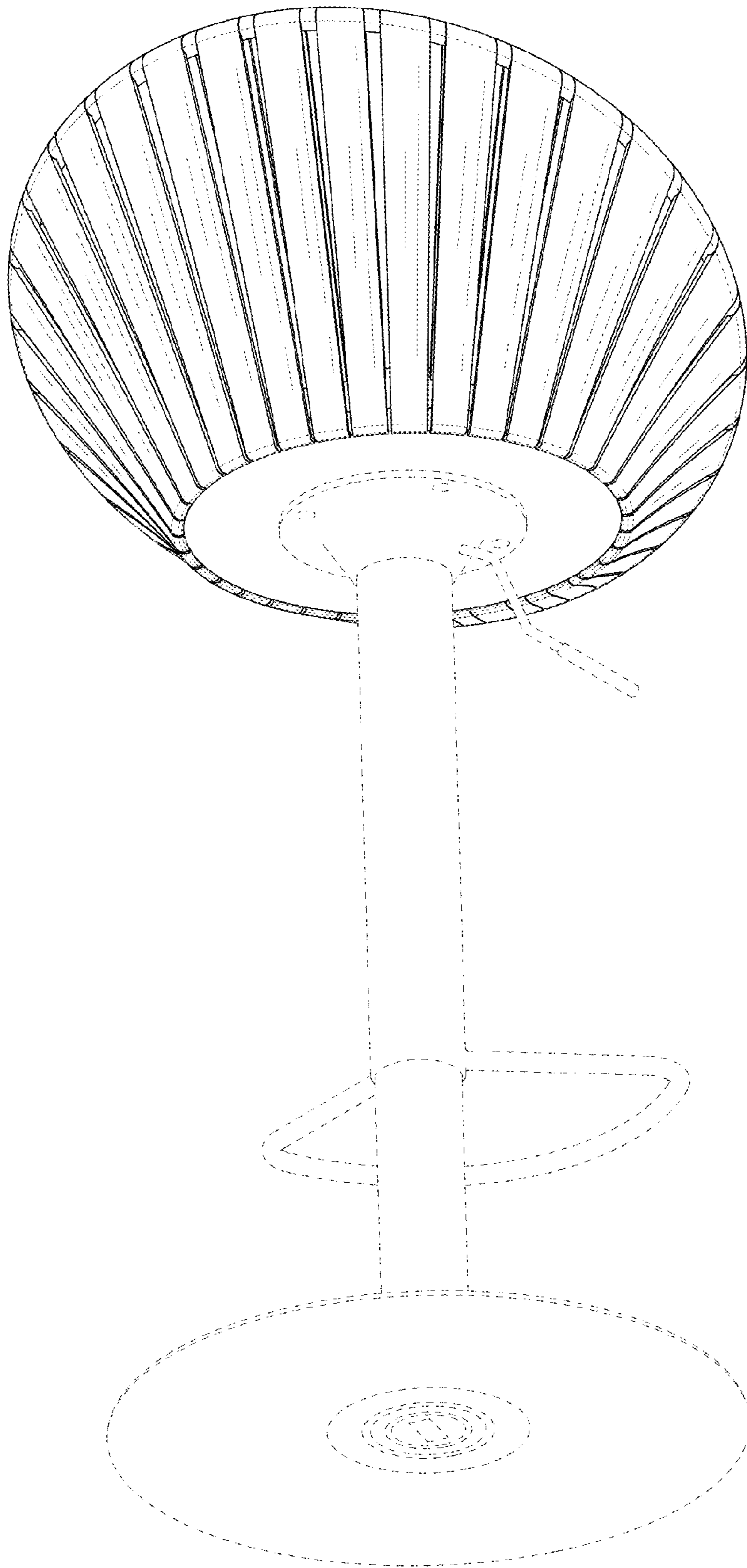


FIG. 2

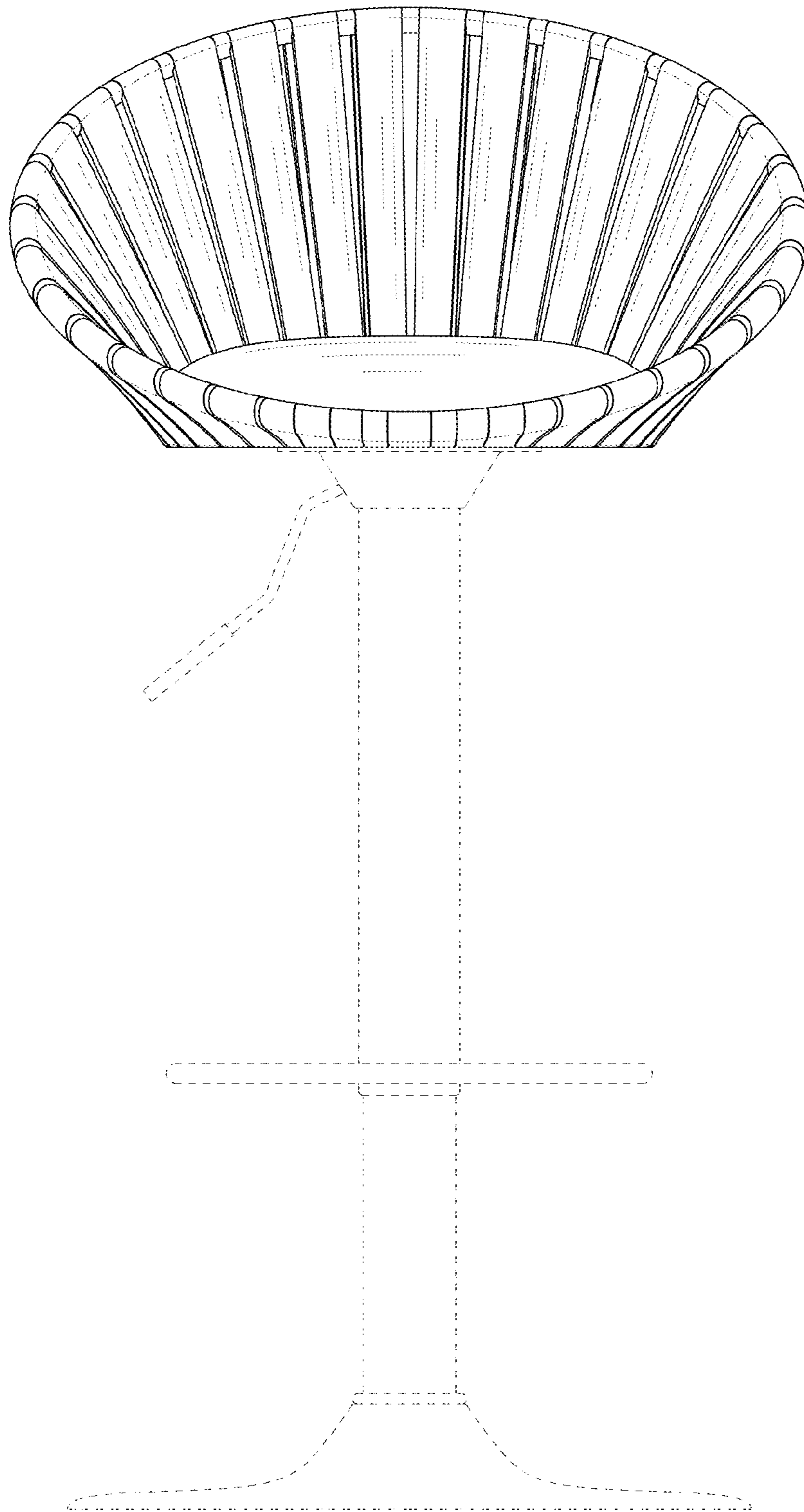


FIG. 3

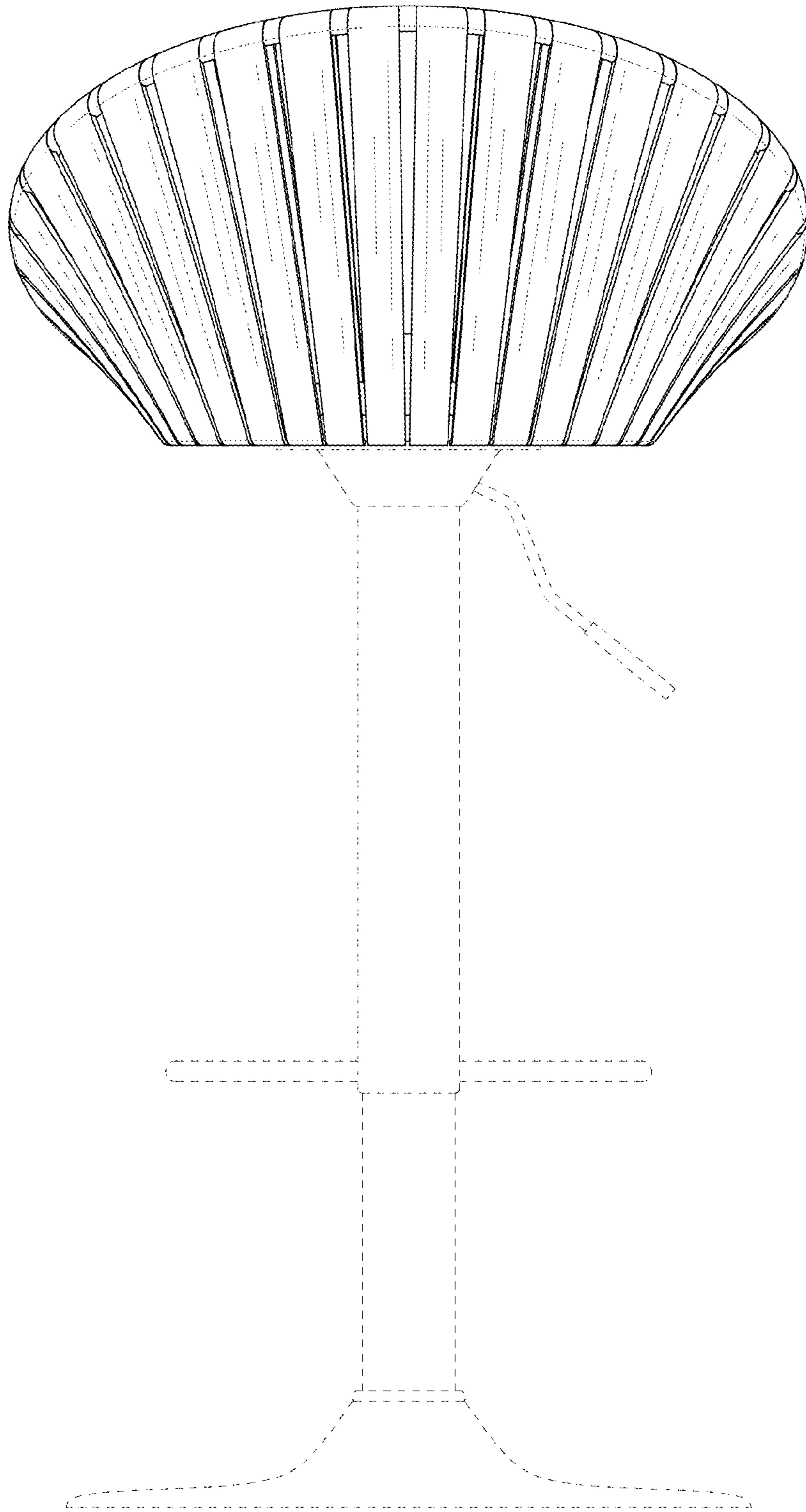


FIG. 4

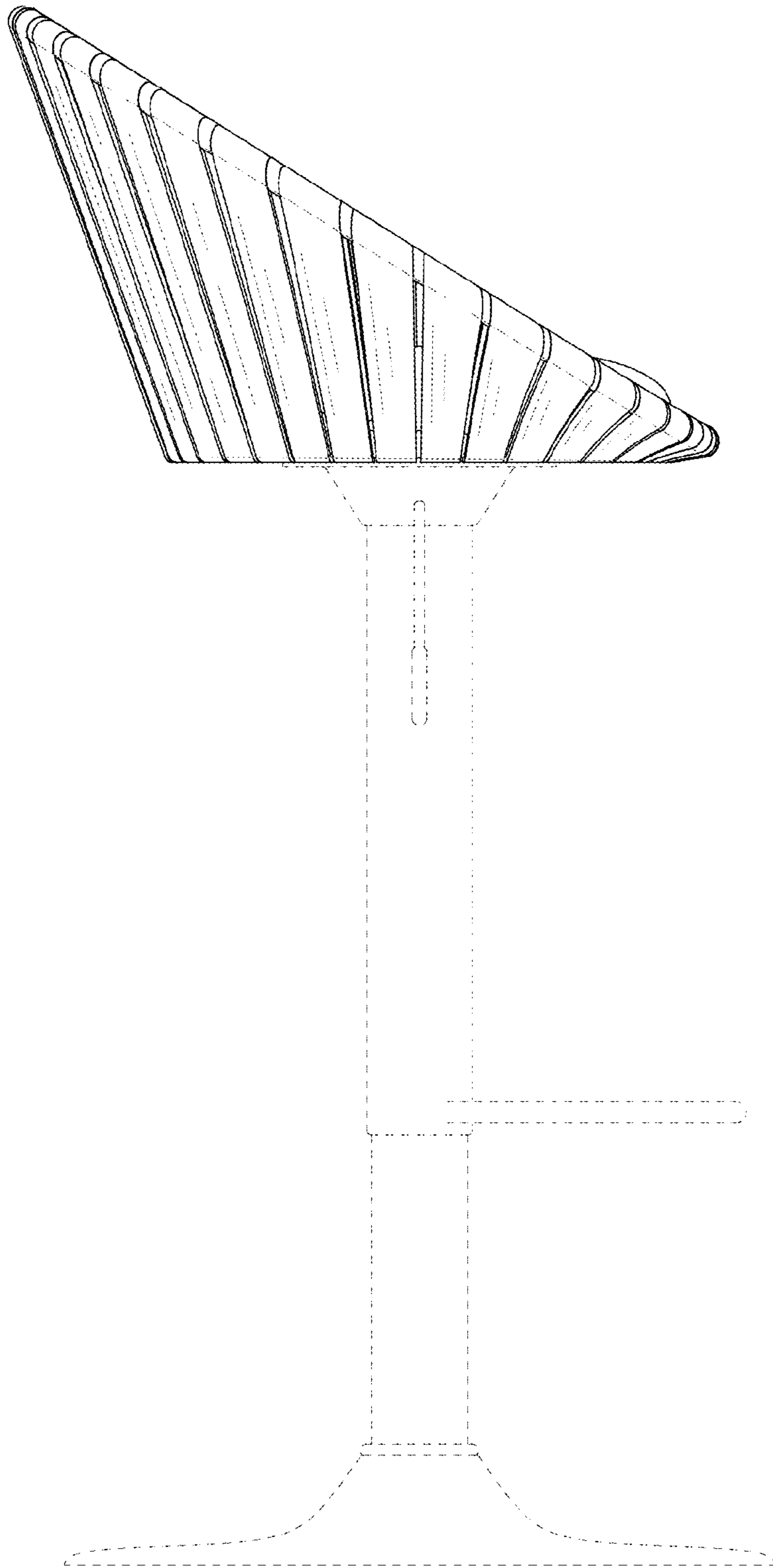


FIG. 5

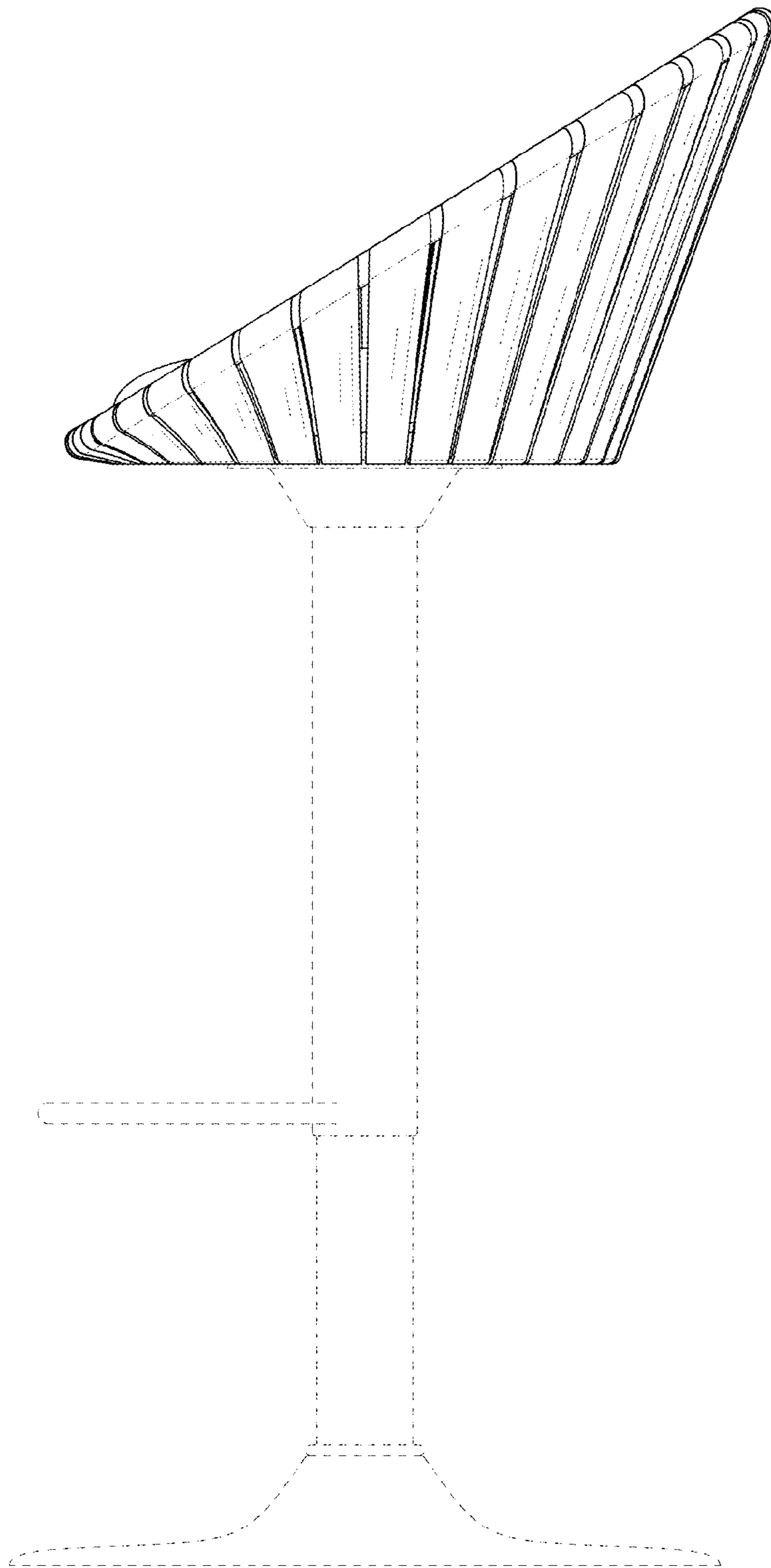


FIG. 6

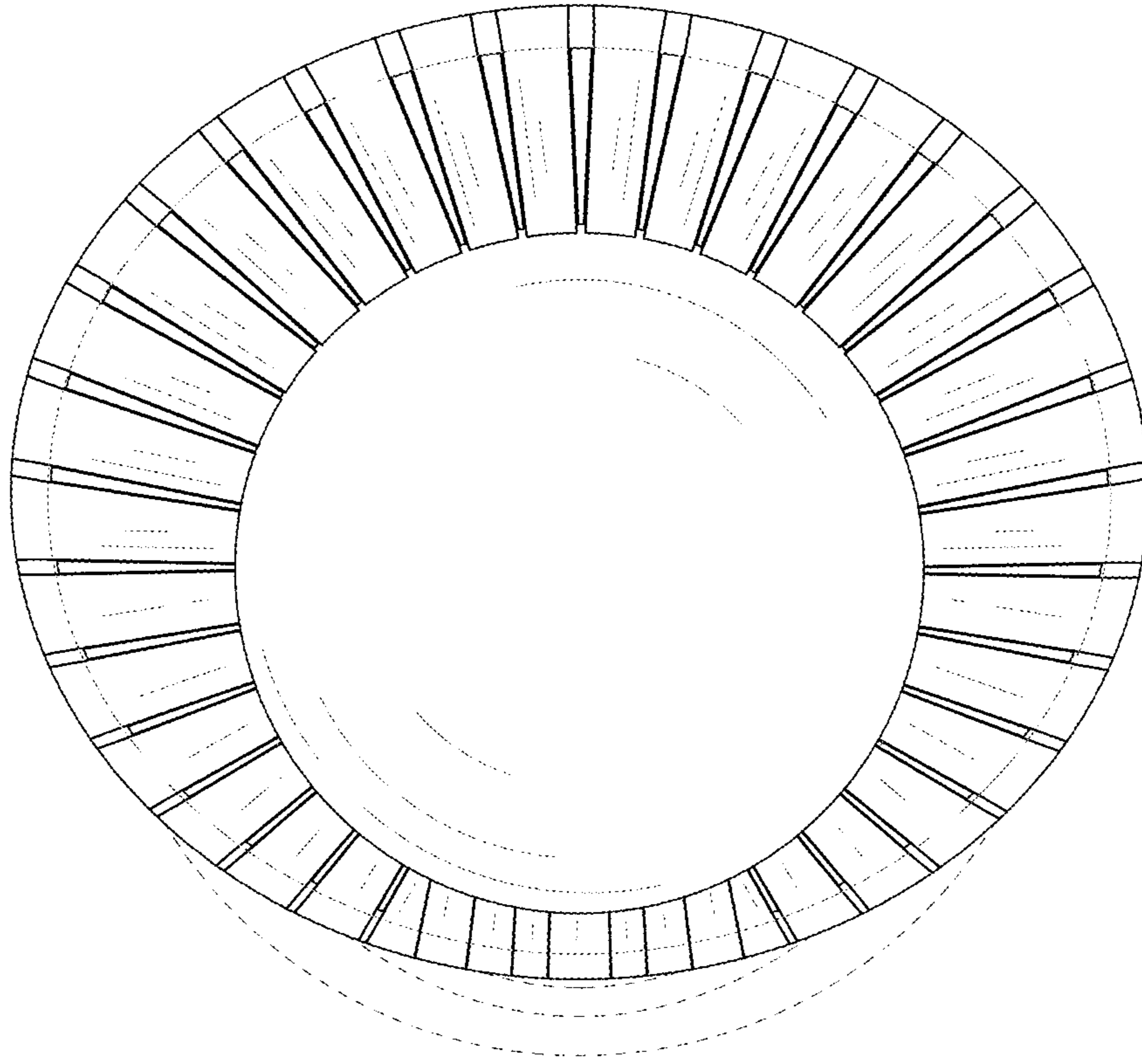


FIG. 7

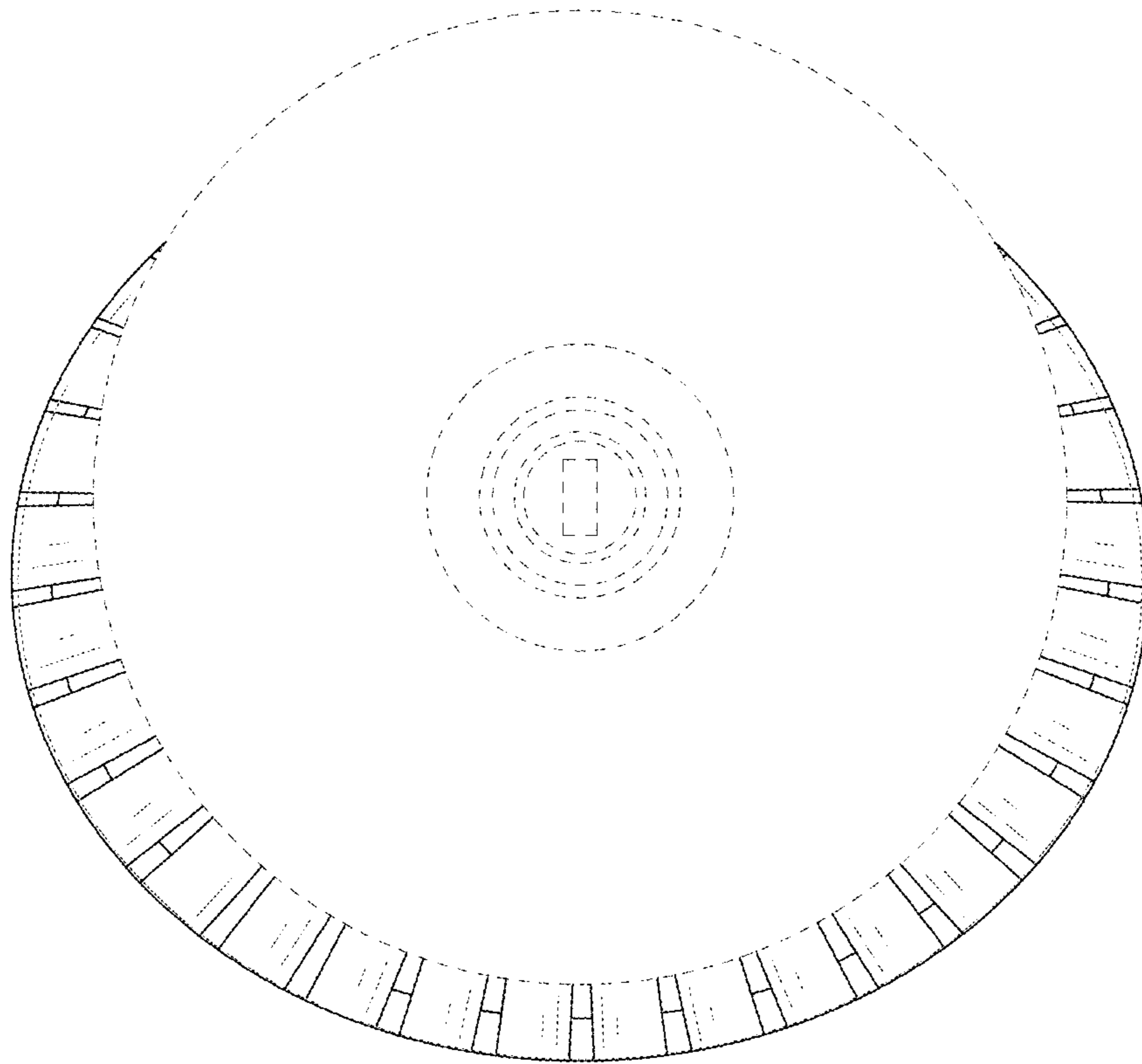


FIG. 8