



US00D977887S

(12) **United States Design Patent** (10) **Patent No.:** **US D977,887 S**
Schmitz et al. (45) **Date of Patent:** **** Feb. 14, 2023**

(54) **CHAIR**

(71) Applicant: **MillerKnoll, Inc.**, Zeeland, MI (US)

(72) Inventors: **Johann Burkhard Schmitz**, Berlin (DE); **Carola Zwick**, Berlin (DE); **Roland Zwick**, Berlin (DE)

(73) Assignee: **MillerKnoll, Inc.**, Zeeland, MI (US)

(**) Term: **15 Years**

(21) Appl. No.: **29/843,892**

(22) Filed: **Jun. 24, 2022**

Related U.S. Application Data

(62) Division of application No. 29/826,749, filed on Feb. 15, 2022, now Pat. No. Des. 959,180, which is a division of application No. 29/810,725, filed on Oct. 7, 2021, now Pat. No. Des. 946,953, which is a division of application No. 29/718,133, filed on Dec. 20, 2019, now Pat. No. Des. 946,954, which is a division of application No. 29/702,936, filed on Aug. 22, 2019, now Pat. No. Des. 874,202, which is a division of application No. 29/622,867, filed on Oct. 20, 2017, now Pat. No. Des. 874,860.

(51) **LOC (14) Cl.** **06-01**

(52) **U.S. Cl.**
USPC **D6/716**

(58) **Field of Classification Search**
USPC D6/334-336, 369, 370, 371, 373, 374, D6/375, 376, 379, 716, 716.1, 716.2, D6/716.3, 716.4
CPC A47C 3/04; A47C 4/02; A47C 4/03; A47C 5/04; A47C 5/06; A47C 5/12; A47C 7/16; A47C 7/002; A47C 7/004; A47C 7/02; A47C 7/40; A47C 7/44; A47C 7/46; A47C 3/12

See application file for complete search history.

(56) **References Cited**

U.S. PATENT DOCUMENTS

D351,510 S 10/1994 Lucci et al.
D373,274 S 9/1996 James
D541,063 S 4/2007 Su
D558,994 S 1/2008 Machael et al.
D591,986 S 5/2009 Schmitz et al.

(Continued)

FOREIGN PATENT DOCUMENTS

CN 201930320607.1 4/2020
WO WO2020086314 A1 4/2020

OTHER PUBLICATIONS

Herman Miller's new seating line, *Cosm*, by Studio 7.5, from officeinsight.com, Retrieved date: Sep. 27, 2022, pp. 1-7, from <https://officeinsight.com/officenewswire/in-milan-herman-miller-presents-for-you-everyone-an-exhibition-to-introduce-the-revolutionary-new-seating-line-cosm-by-studio-7-5/> (Year: 2022).*

(Continued)

Primary Examiner — Mimoso De

(74) *Attorney, Agent, or Firm* — Michael Best & Friedrich LLP

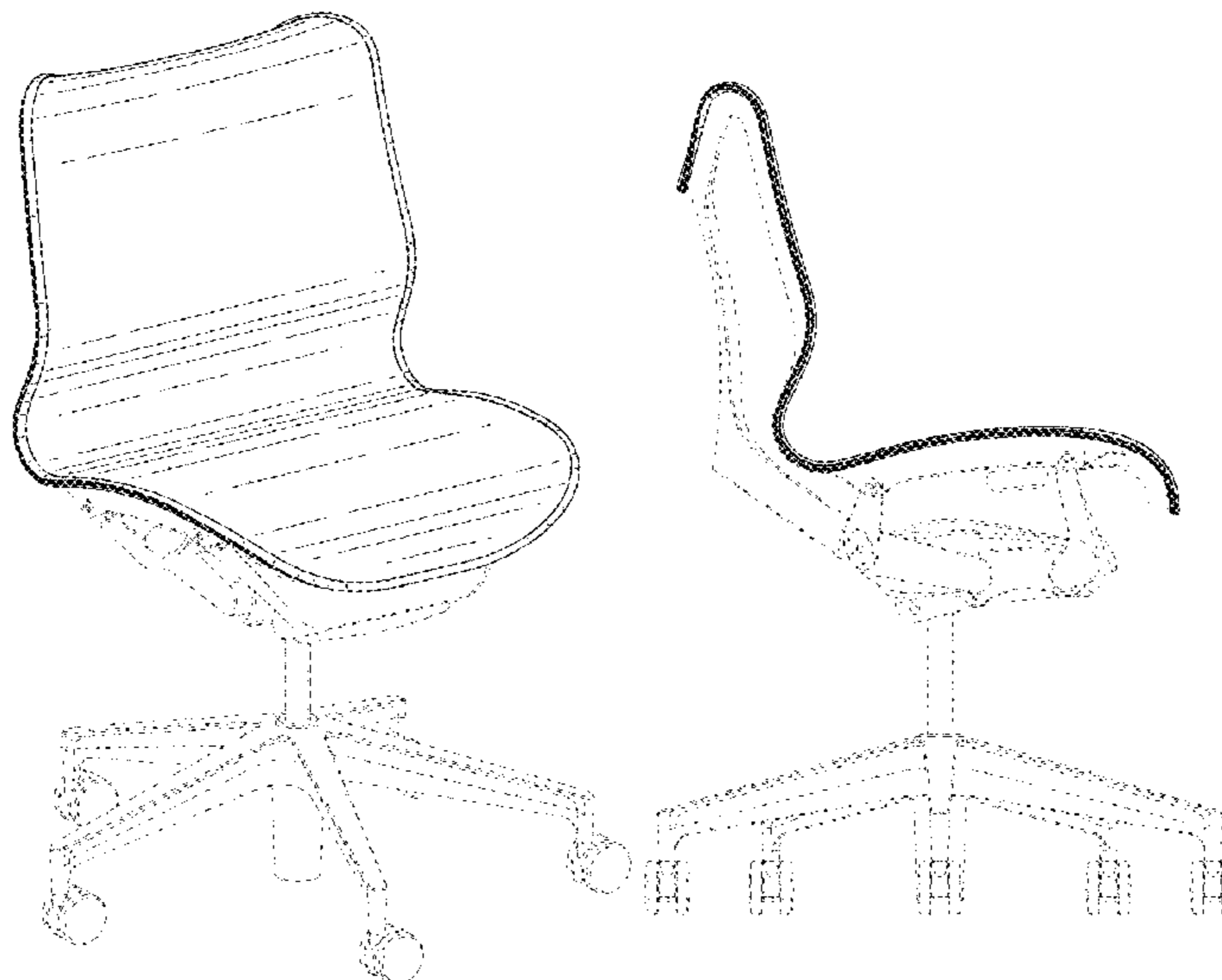
(57) **CLAIM**

We claim the ornamental design for a chair, as shown and described.

DESCRIPTION

FIG. 1 is a perspective view of a chair.
FIG. 2 is a first side view of the chair of FIG. 1.
FIG. 3 is a second side view of the chair of FIG. 1.
FIG. 4 is a front view of the chair of FIG. 1.
FIG. 5 is a rear view of the chair of FIG. 1.
FIG. 6 is a top view of the chair of FIG. 1; and,
FIG. 7 is a bottom view of the chair of FIG. 1.
Portions of the chair shown in broken lines are for illustrative purposes only and form no part of the claimed design

1 Claim, 7 Drawing Sheets



(56)

References Cited

U.S. PATENT DOCUMENTS

D597,329 S 8/2009 Tanaka et al.
 D613,085 S 4/2010 Fujita
 D618,005 S 6/2010 Heltemes et al.
 D628,831 S 12/2010 Schmitz et al.
 D628,832 S 12/2010 Schmitz et al.
 D645,683 S 9/2011 Chen
 D647,716 S 11/2011 Lu
 D651,426 S 1/2012 Chiaramonte et al.
 D654,709 S 2/2012 Fujita
 D661,117 S 6/2012 Tanaka et al.
 D673,400 S 1/2013 Chen
 D675,463 S 2/2013 Collinson et al.
 D683,551 S 6/2013 Wu
 D687,239 S 8/2013 Piretti
 D698,192 S 1/2014 Giugiaro
 D706,566 S 6/2014 Giugiaro
 D707,460 S 6/2014 Giugiaro
 D707,995 S 7/2014 McEneaney et al.
 D708,879 S 7/2014 Tsai
 D709,721 S 7/2014 Giugiaro
 D738,656 S 9/2015 Parisi et al.
 D771,964 S 11/2016 Chen
 D777,494 S 1/2017 Preslwich

D782,238 S 3/2017 Jun
 D824,711 S 8/2018 Brooks
 D844,358 S 4/2019 Chadwick et al.
 D845,692 S 4/2019 Chadwick et al.
 D848,169 S 5/2019 Wu
 D874,202 S 2/2020 Schmitz et al.
 D874,860 S 2/2020 Schmitz et al.
 D887,158 S 6/2020 Schmitz et al.
 D919,991 S * 5/2021 Li D6/366
 D925,956 S 7/2021 Lampela et al.
 D946,953 S 3/2022 Schmitz et al.
 D946,954 S 3/2022 Schmitz et al.
 D946,955 S 3/2022 Schmitz et al.
 D959,180 S * 8/2022 Schmitz D6/716
 2016/0360891 A1 12/2016 Piretti
 2018/0027973 A1 2/2018 Ludwig

OTHER PUBLICATIONS

By Alberta Meda 2012, "Vitra, Physix", website: <https://www.vitra.com/en-us/office/product/details/physix>, (6 Pages).
 Laura Furniture, "Empire" <https://www.lauradavidsondirect.com/collections/empire>, webpage accessed Sep. 3, 2021 (3 Pages).

* cited by examiner

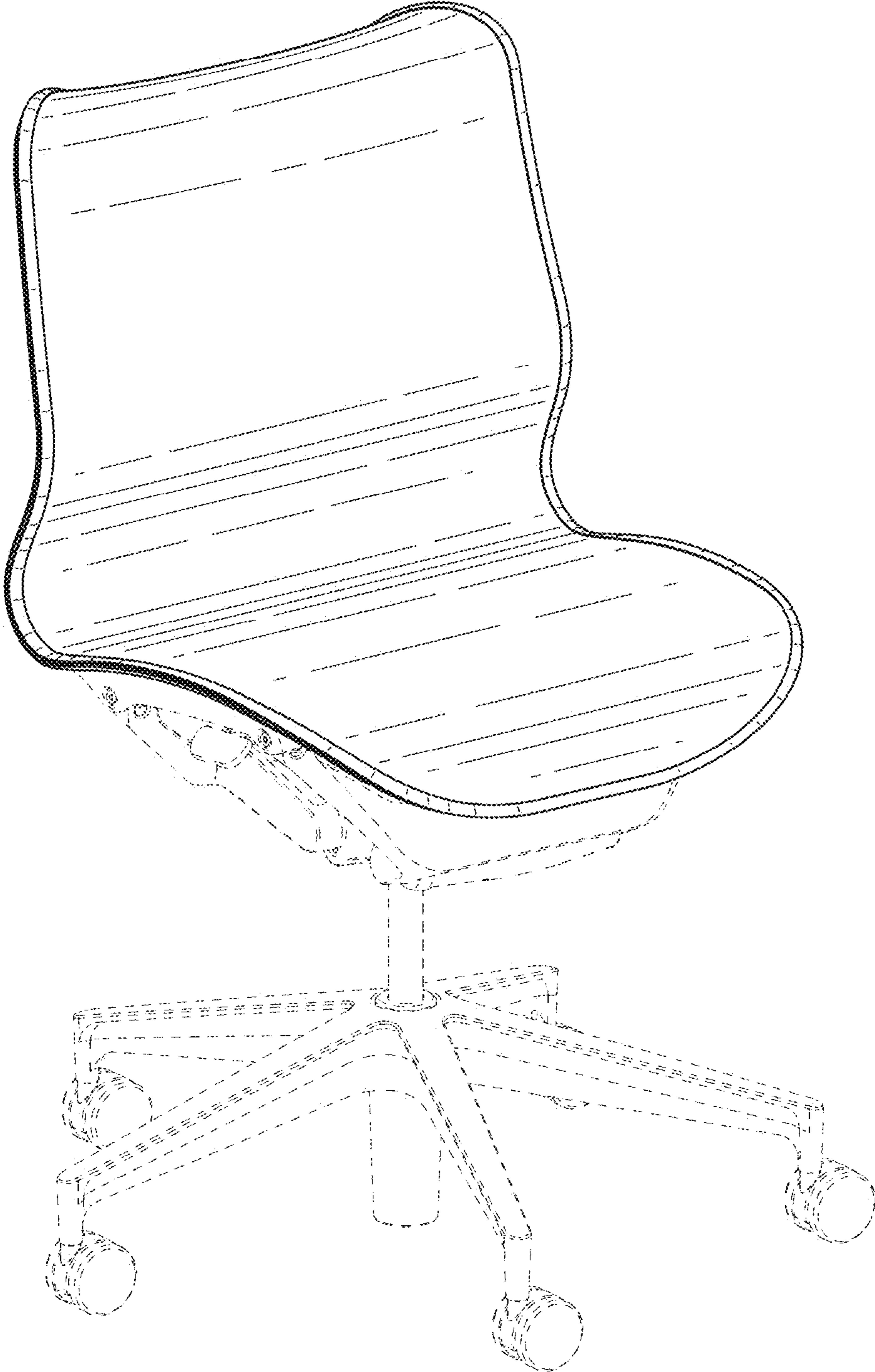


FIG. 1

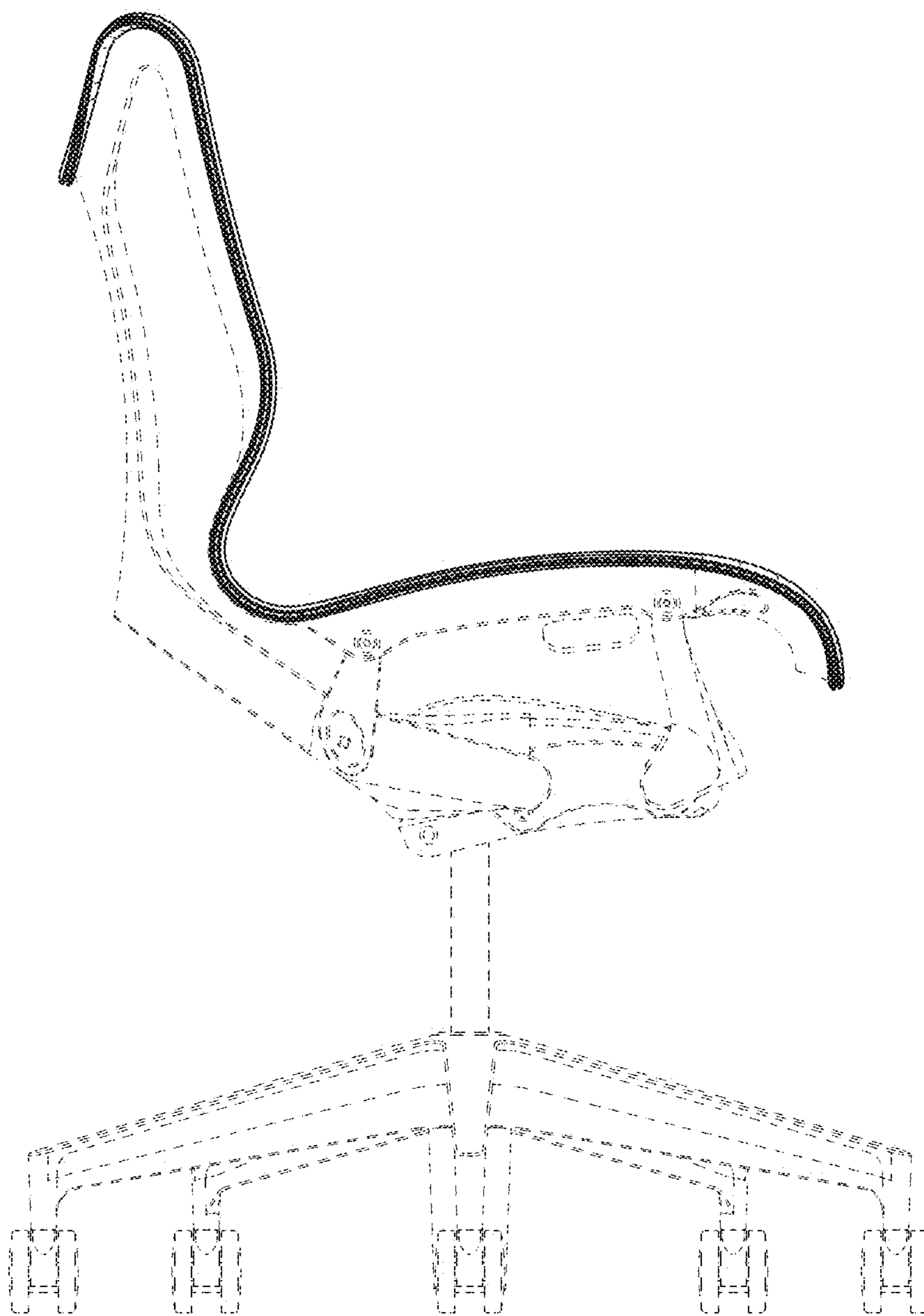


FIG. 2

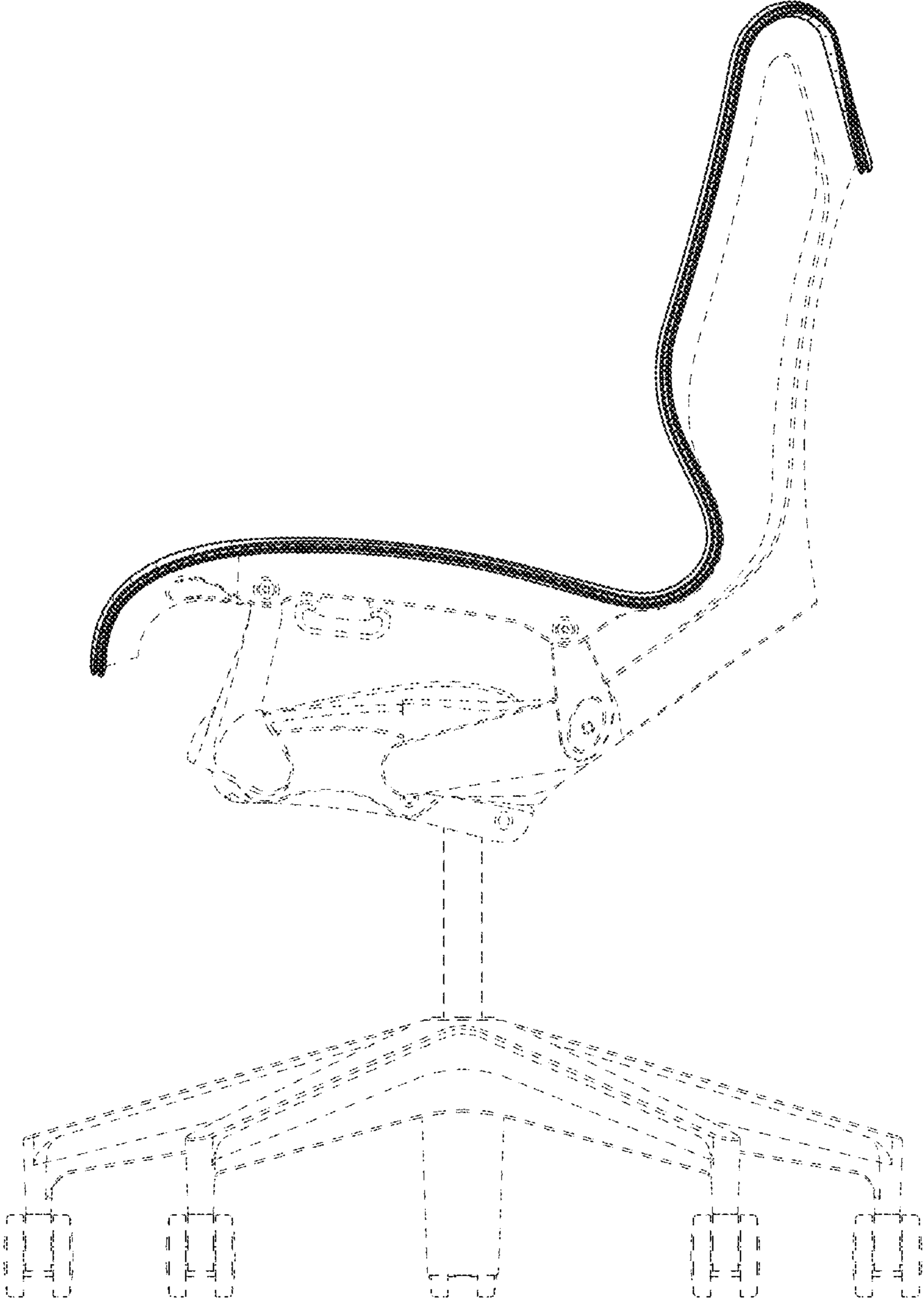


FIG. 3

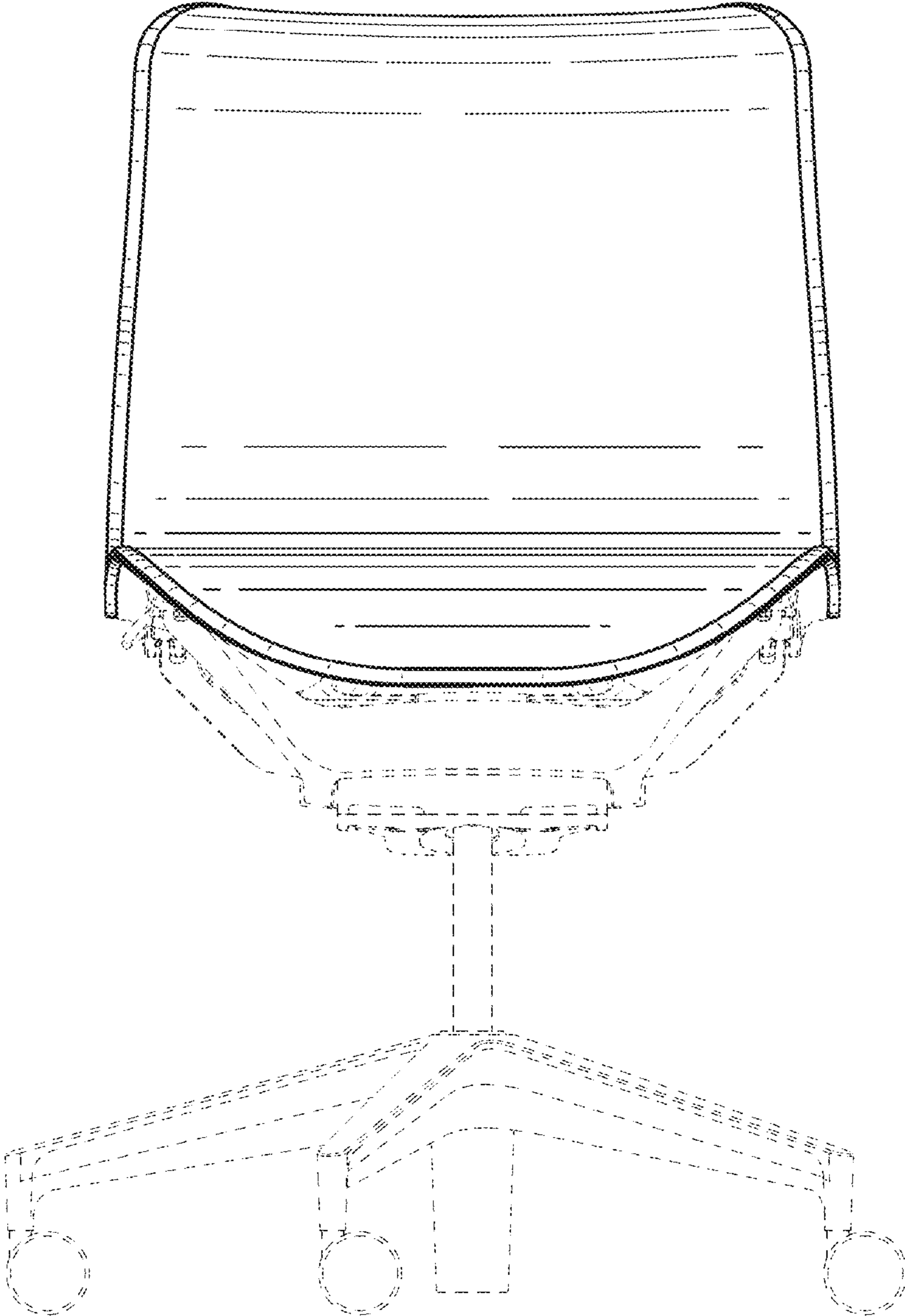


FIG. 4

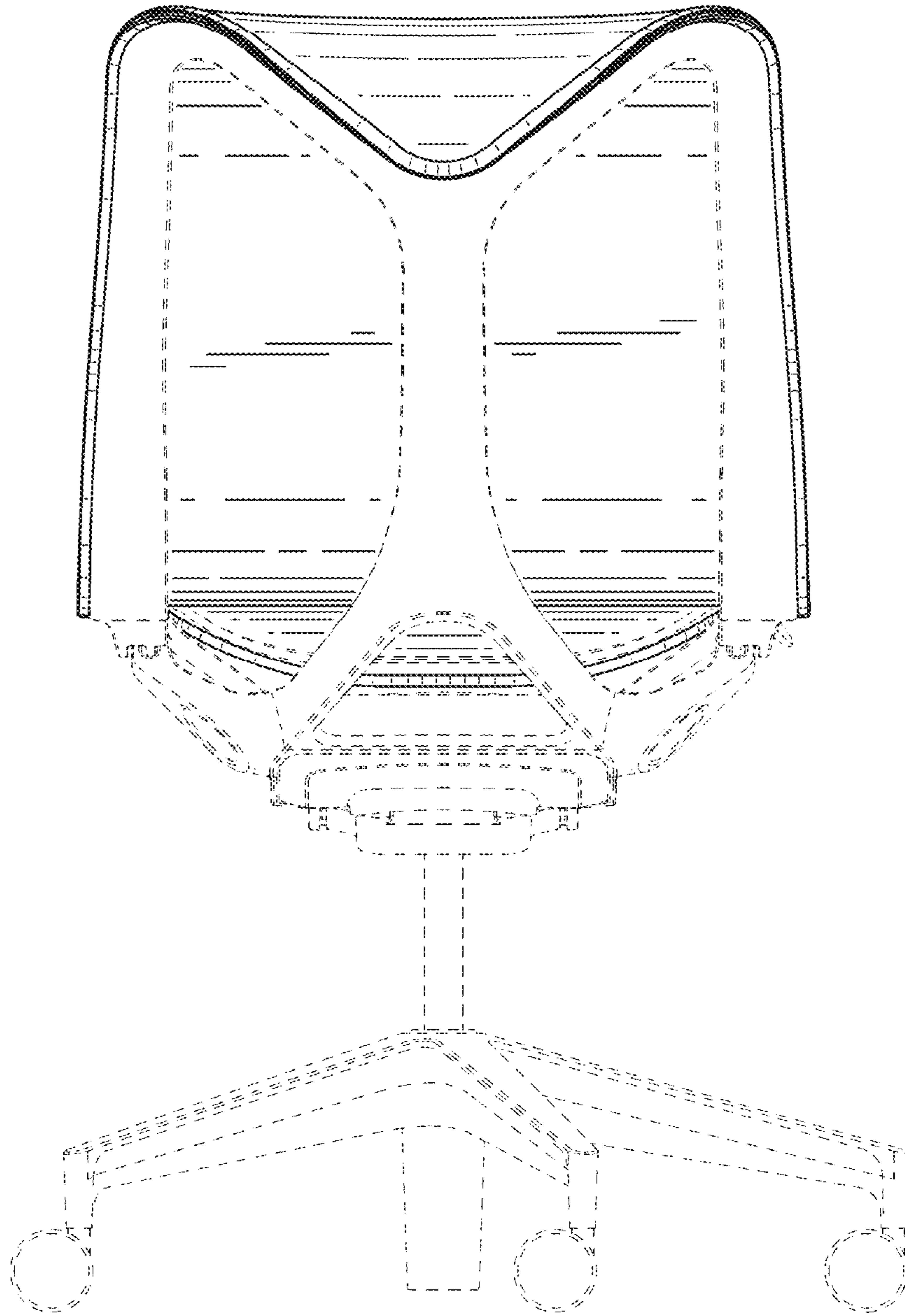


FIG. 5

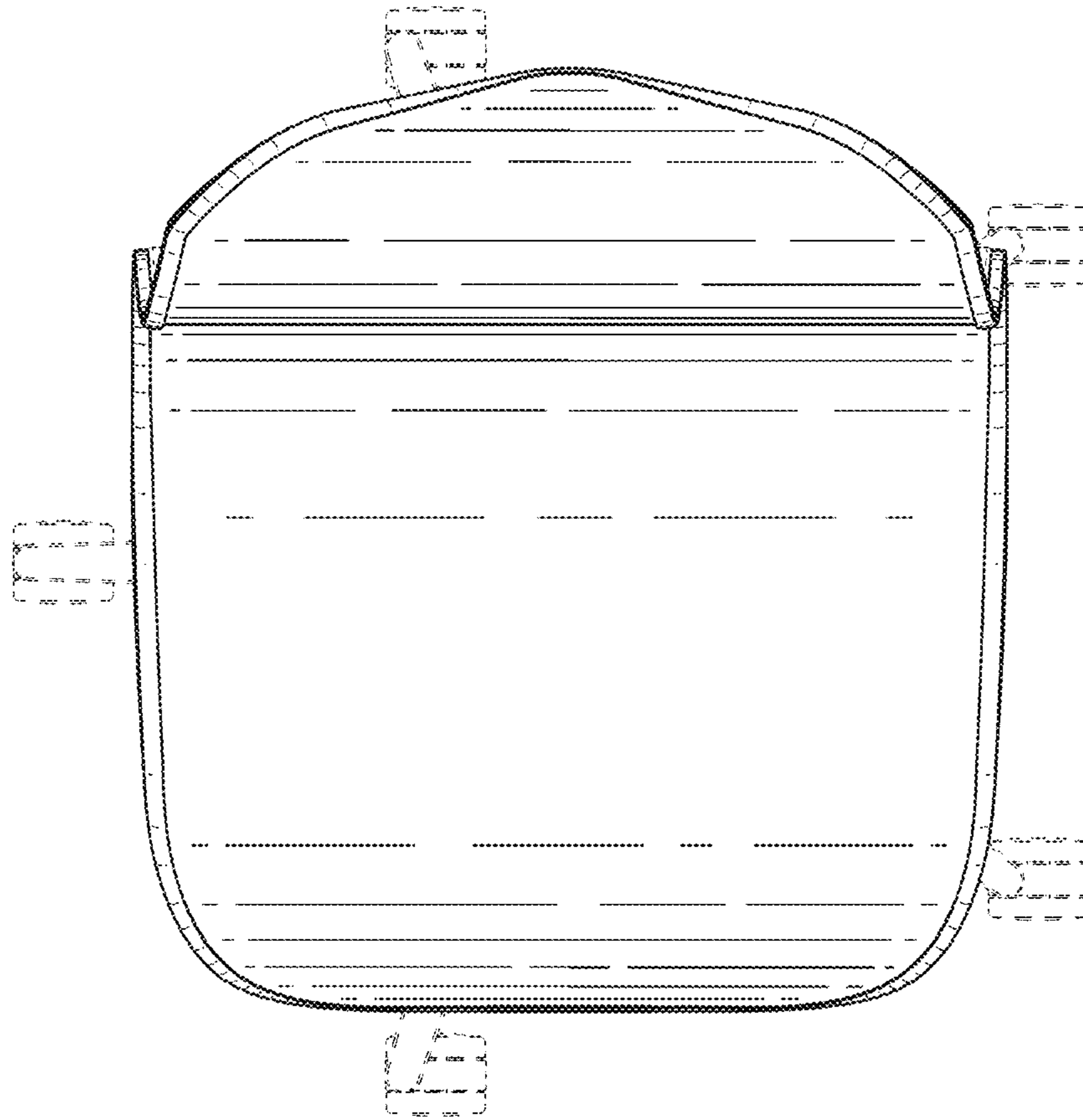


FIG. 6

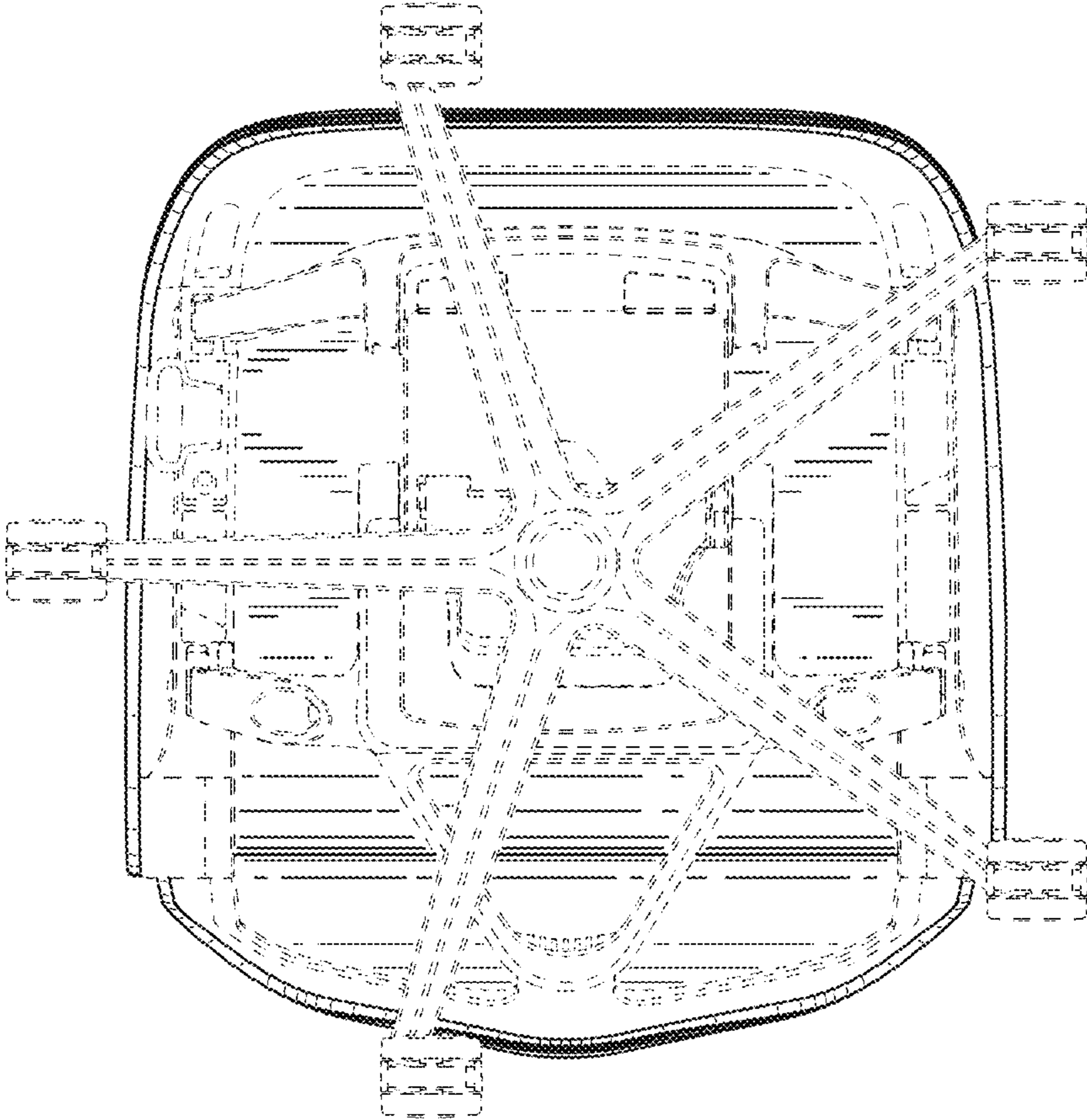


FIG. 7