



US00D977883S

(12) **United States Design Patent**
Wu

(10) **Patent No.:** **US D977,883 S**

(45) **Date of Patent:** **** Feb. 14, 2023**

- (54) **WINDBREAK STAND**
- (71) Applicant: **Jinan Zhanyibao Advertising Co., Ltd., Jinan (CN)**
- (72) Inventor: **Jiachuan Wu, Jinan (CN)**
- (**) Term: **15 Years**
- (21) Appl. No.: **29/798,674**
- (22) Filed: **Jul. 9, 2021**
- (51) **LOC (14) Cl.** **06-04**
- (52) **U.S. Cl.**
USPC **D6/672**
- (58) **Field of Classification Search**
USPC D6/672, 675, 675.2, 681, 681.1; D20/10, D20/19, 41, 42
CPC ... G09F 7/002; G09F 7/18; G09F 7/20; G09F 7/22; G09F 15/0056; G09F 15/0062
See application file for complete search history.

- D396,065 S * 7/1998 Johnson D20/41
- 5,878,518 A * 3/1999 Grewe G09F 15/0087
40/607.13
- 5,964,052 A * 10/1999 Jepsen G09F 15/0062
40/607.1
- D450,775 S * 11/2001 Albrecht D20/10
- D450,776 S * 11/2001 Albrecht D20/10
- D463,499 S * 9/2002 Marcos D20/10
- D481,803 S 11/2003 Gordon et al.
- D495,172 S * 8/2004 Brownfield D6/672
- D567,393 S 4/2008 Ouellette et al.
- D635,689 S 4/2011 Van Faasen et al.
- D644,693 S * 9/2011 Braat D20/21
- 9,286,814 B1 * 3/2016 Thomaselli G09F 15/00
- D807,652 S * 1/2018 Kawamoto D6/332
- D822,108 S * 7/2018 Avallon D19/114
- D822,109 S * 7/2018 Avallon D19/114
- D825,234 S * 8/2018 He D6/675.4
- D854,089 S * 7/2019 Topcuoglu A47F 7/145
D20/10
- 10,438,519 B1 * 10/2019 Bacallao G09F 7/22
(Continued)

Primary Examiner — Steven J Czyn

(74) Attorney, Agent, or Firm — Rumit Ranjit Kanakia

(56) **References Cited**

U.S. PATENT DOCUMENTS

- 4,098,009 A * 7/1978 Flynn G09B 11/06
434/432
- 4,509,714 A * 4/1985 Seely E01F 9/688
248/618
- 4,516,344 A * 5/1985 Seely E01F 9/688
40/538
- D298,041 S * 10/1988 Chang G09F 7/22
D17/9
- 4,783,921 A * 11/1988 George G09F 7/002
40/607.01
- 5,009,335 A * 4/1991 Jonker A47F 7/145
D34/17
- D344,292 S * 2/1994 Dinan D20/41
- D351,863 S * 10/1994 Sarkisian D20/41
- D356,907 S * 4/1995 Jernigan D6/682.6
- 5,442,871 A * 8/1995 Sarkisian G09F 7/22
40/611.12

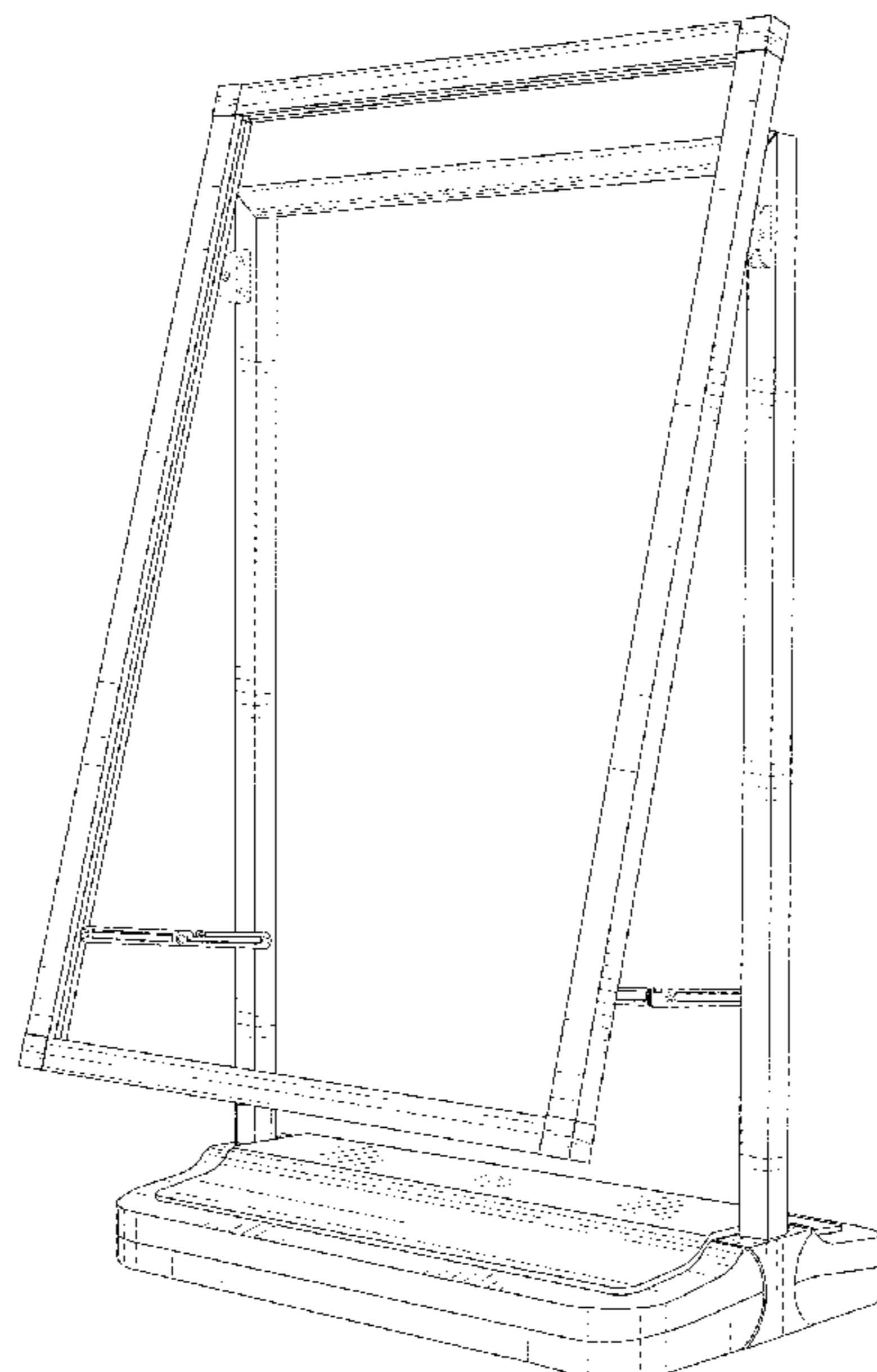
(57) **CLAIM**

The ornamental design for a windbreak stand, as shown and described.

DESCRIPTION

FIG. 1 is a perspective view of a windbreak stand showing my new design;
 FIG. 2 is a front view thereof;
 FIG. 3 is a rear view thereof;
 FIG. 4 is a right-side view thereof;
 FIG. 5 is a left-side view thereof;
 FIG. 6 is a top view thereof; and,
 FIG. 7 is bottom view thereof.
 The broken lines in the drawings depict portions of the windbreak stand that form no part of the claimed design.

1 Claim, 6 Drawing Sheets



(56)

References Cited

U.S. PATENT DOCUMENTS

10,679,526 B1 * 6/2020 Ritter, Jr. G09F 7/002
D910,752 S * 2/2021 Lai D19/114
D910,756 S 2/2021 Carberry
D916,191 S * 4/2021 Dratch D20/43
D920,429 S * 5/2021 Hoinowski A47F 5/12
D14/126
2004/0232304 A1 * 11/2004 Wakura A47F 5/12
248/456
2005/0076552 A1 * 4/2005 Tolna G09F 15/0056
40/608
2018/0122279 A1 * 5/2018 Calby G09F 15/0062

* cited by examiner

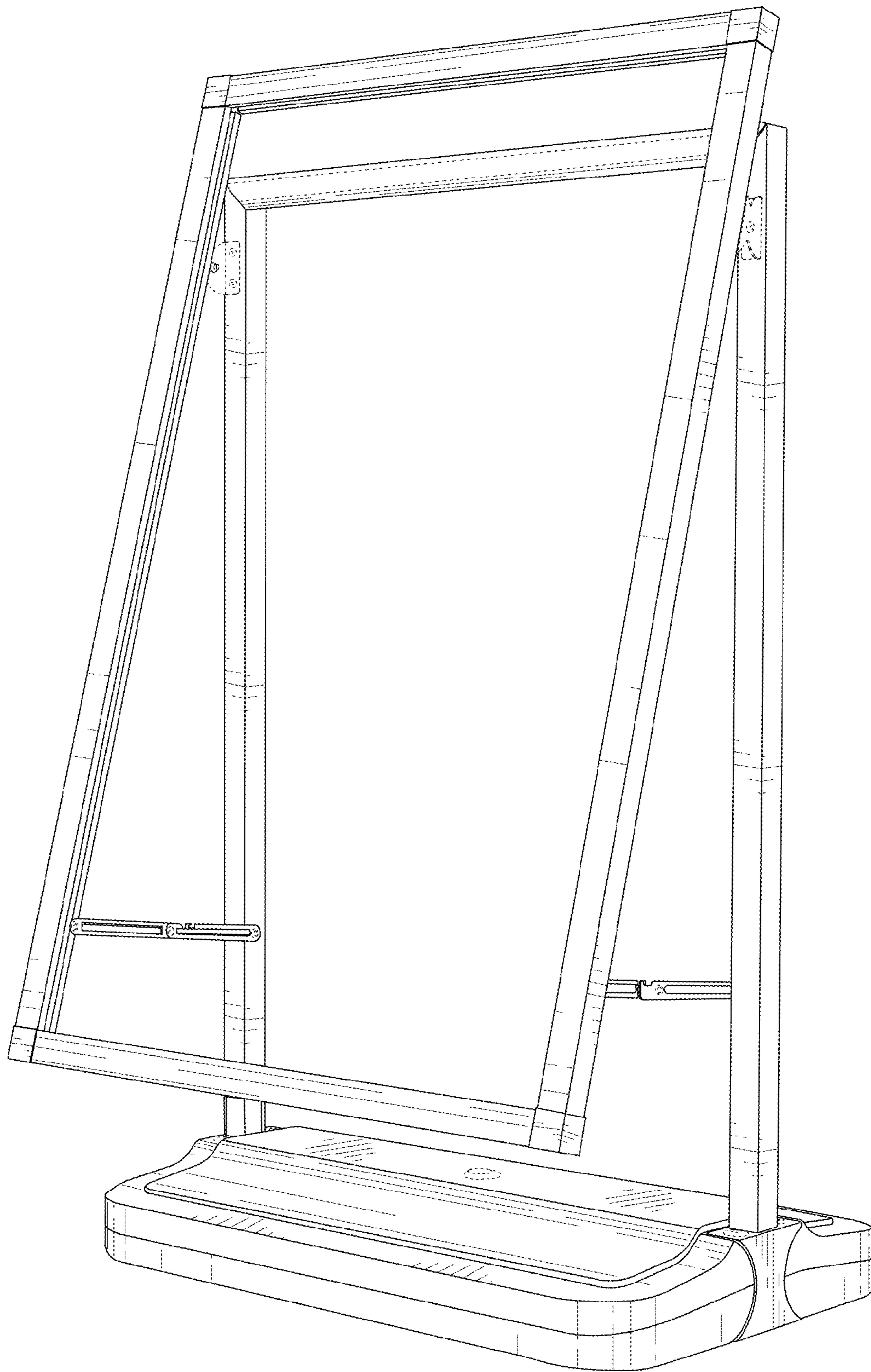


FIG. 1

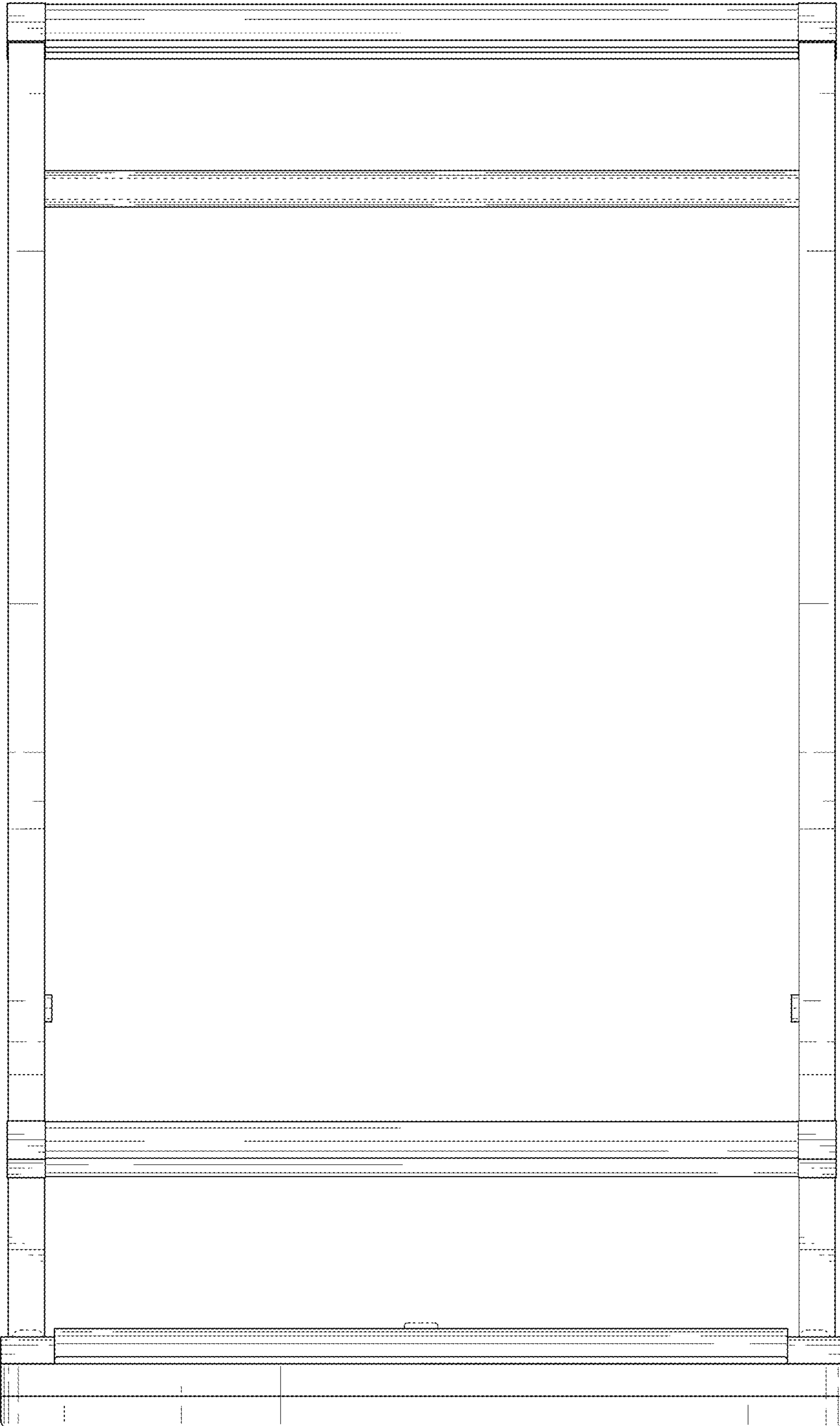


FIG. 2

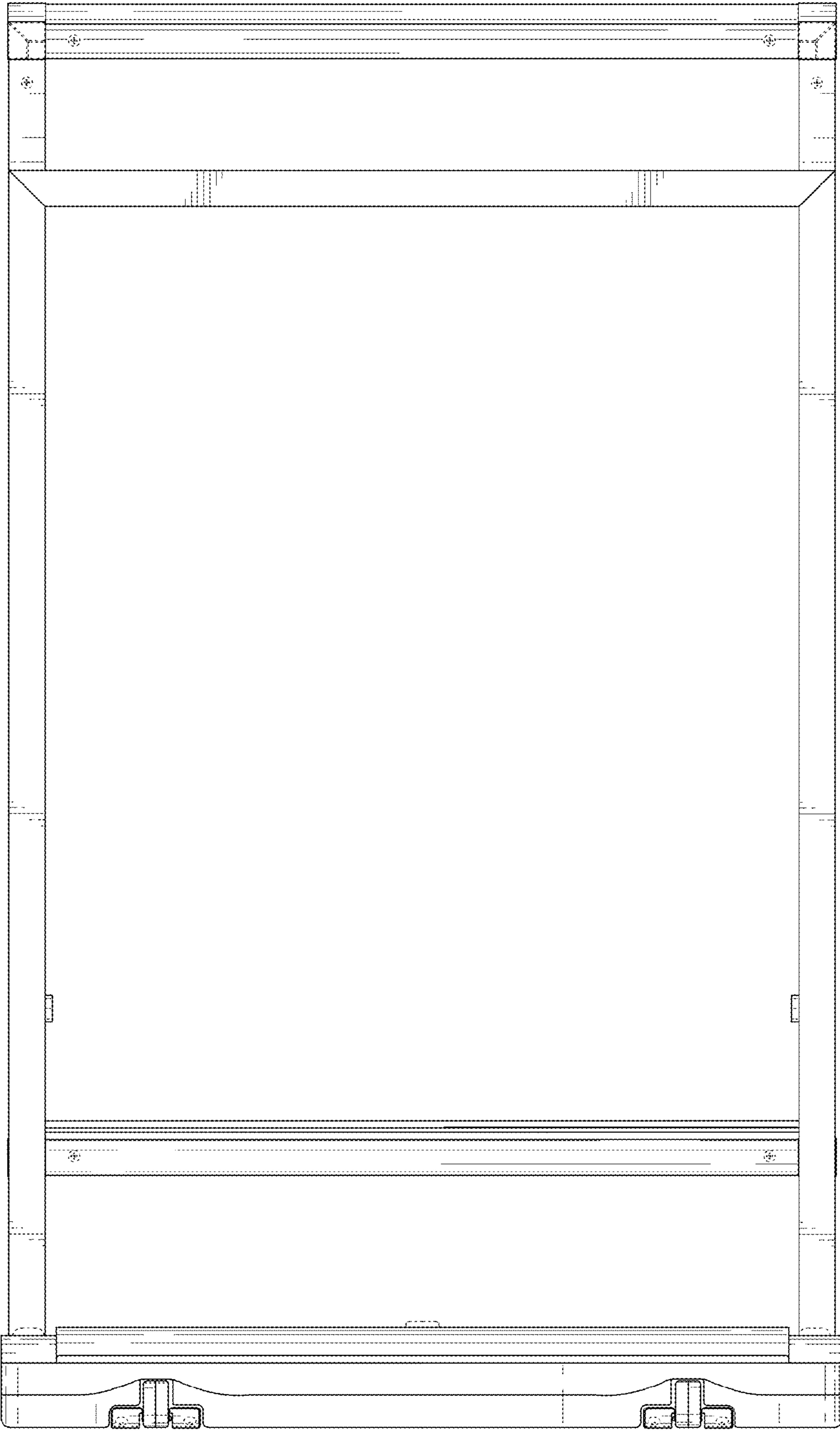


FIG. 3

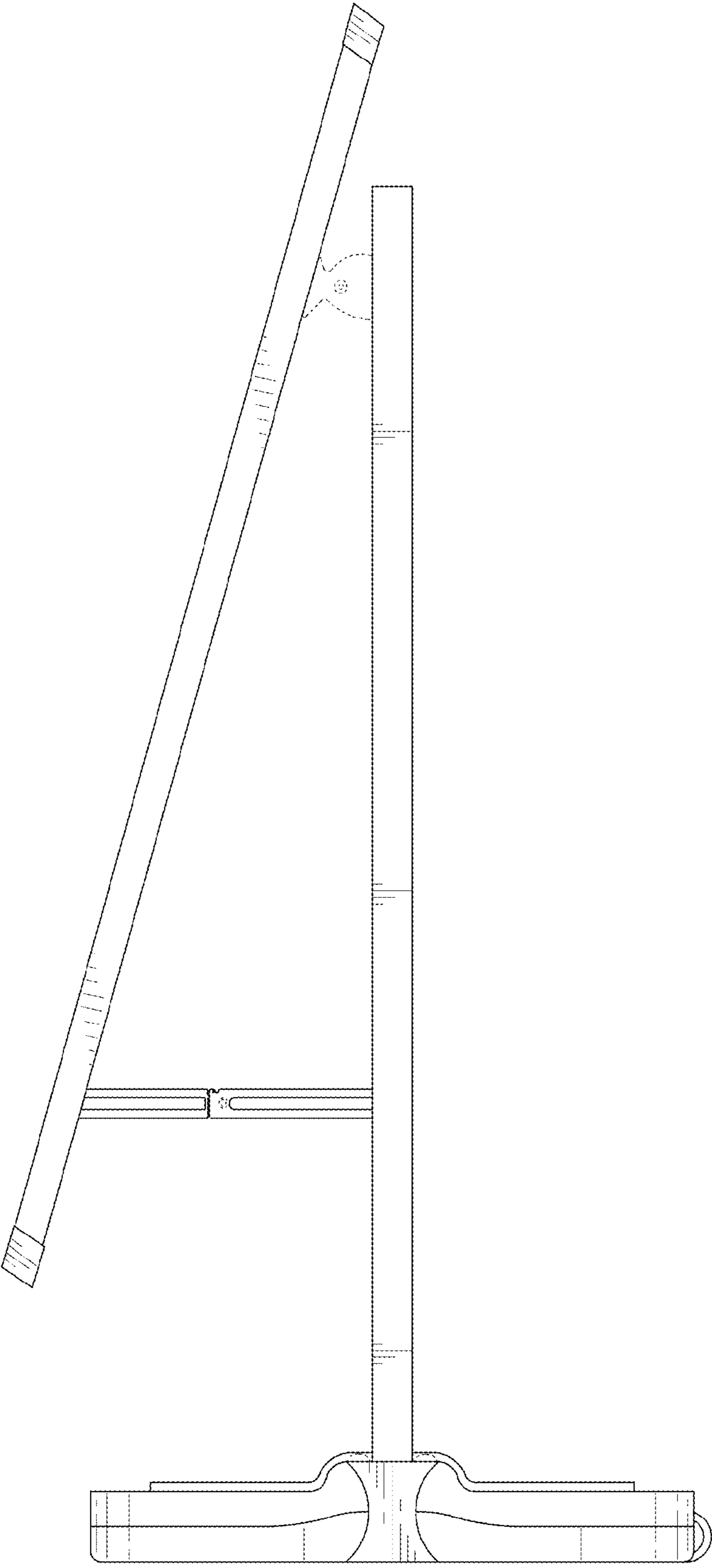


FIG. 4

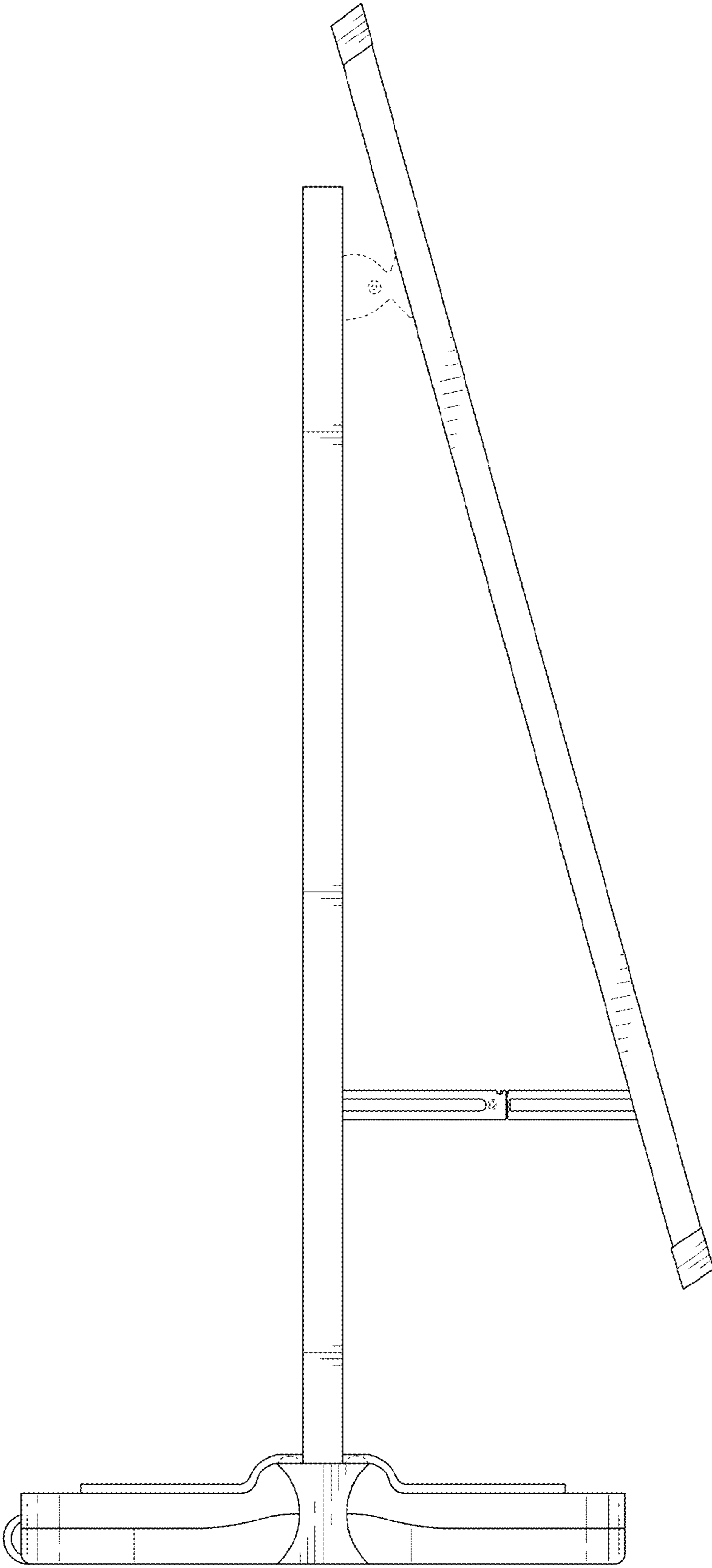


FIG. 5

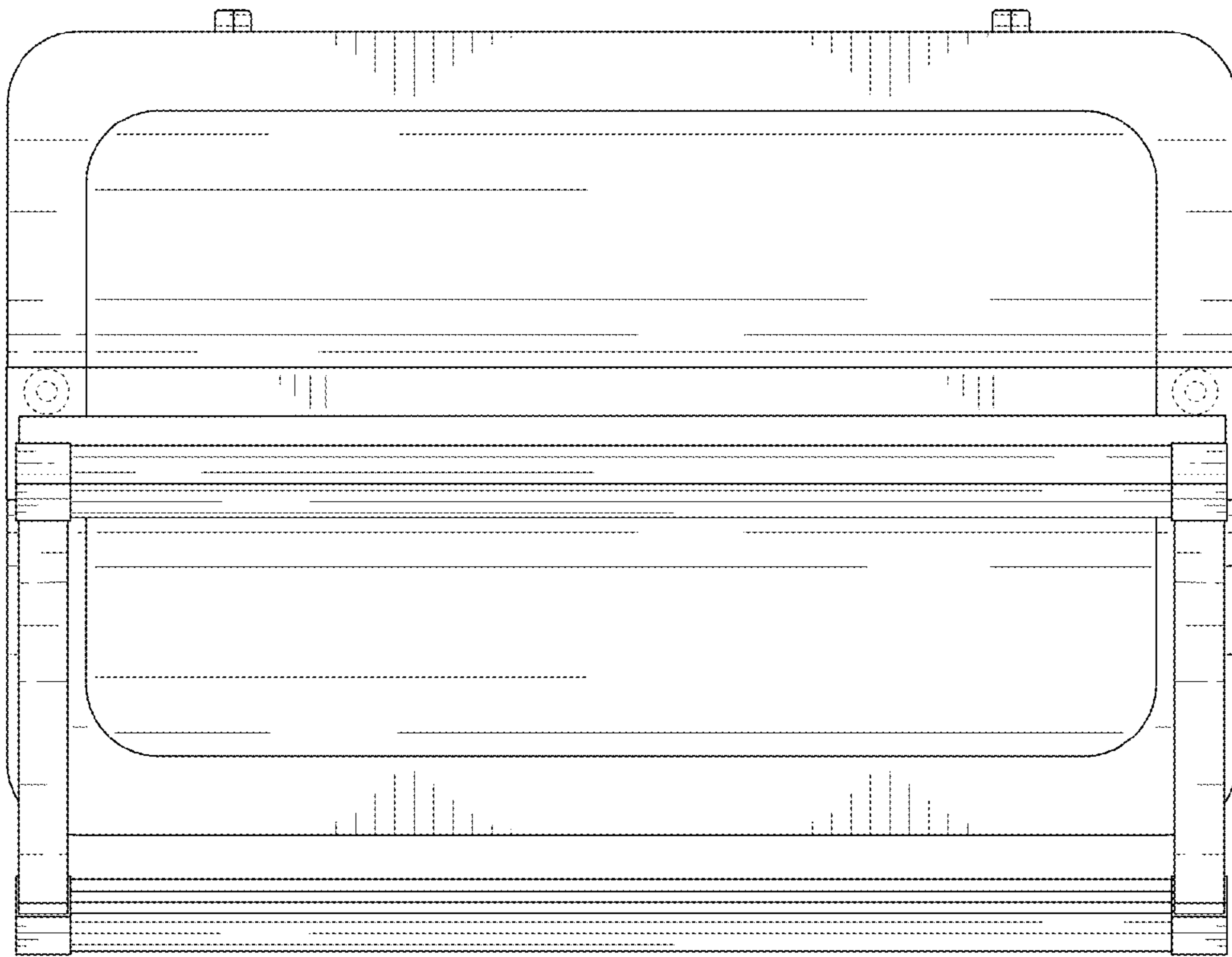


FIG. 6

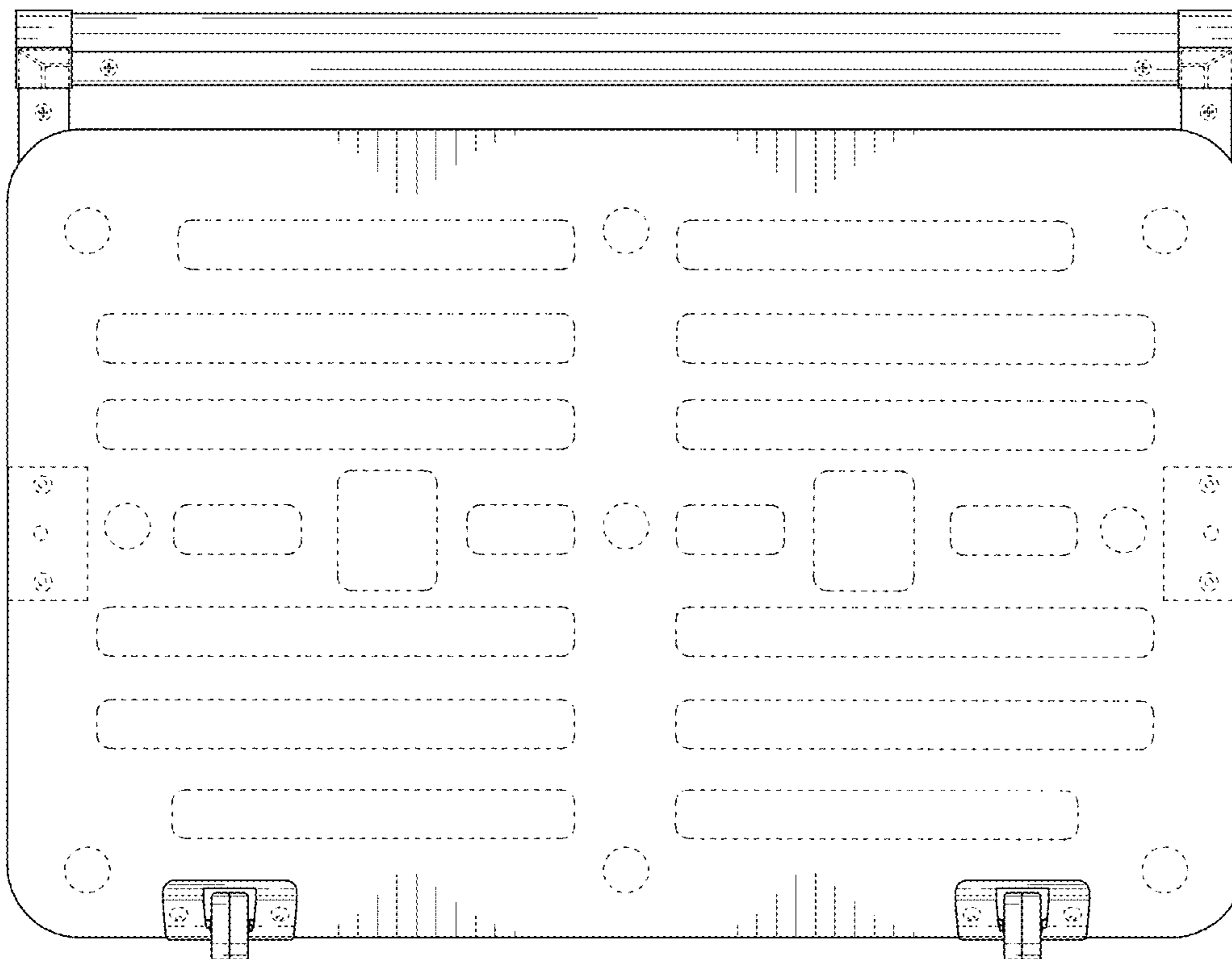


FIG. 7