



US00D977882S

(12) **United States Design Patent** (10) **Patent No.:** **US D977,882 S**
Pelosi (45) **Date of Patent:** **** Feb. 14, 2023**

(54) **ADJUSTABLE SHOE RACK**
(71) Applicant: **United Storage Technologies Inc.**, Las Vegas, NV (US)
(72) Inventor: **Raymond Pelosi**, Las Vegas, NV (US)
(**) Term: **15 Years**
(21) Appl. No.: **29/652,464**

5,617,959 A * 4/1997 Klein A47F 7/08
211/37
D381,225 S * 7/1997 Malik D6/513
D382,434 S * 8/1997 Klein D6/513
5,695,073 A * 12/1997 Klein A47B 87/0207
211/35
D398,787 S * 9/1998 Malik D6/682
5,816,419 A 10/1998 Lamson
D403,880 S * 1/1999 Malik D6/681.1
(Continued)

(22) Filed: **Aug. 21, 2020**
(51) **LOC (14) Cl.** **06-04**
(52) **U.S. Cl.**
USPC **D6/672**
(58) **Field of Classification Search**
USPC D6/672, 675, 675.1, 675.2, 675.5, 681,
D6/681.1, 681.2, 682, 682.6, 552
CPC .. A47F 7/08; A47F 5/0081; A47F 5/01; A47F
5/10; A47B 81/00; A47B 45/00; A47B
57/04; A47B 61/04
See application file for complete search history.

OTHER PUBLICATIONS

USTECH Shoe Rack, amazon.com, <https://www.amazon.com/USTECH-Slide-n-Adjust-Multi-Position-Expandable-Organizer/dp/B07GRDTRFM?th=1> (Year: 2018).*

Primary Examiner — Steven J Czyz
(74) *Attorney, Agent, or Firm* — Weide & Miller, Ltd.

(57) **CLAIM**

The ornamental design for an adjustable shoe rack, as shown and described.

DESCRIPTION

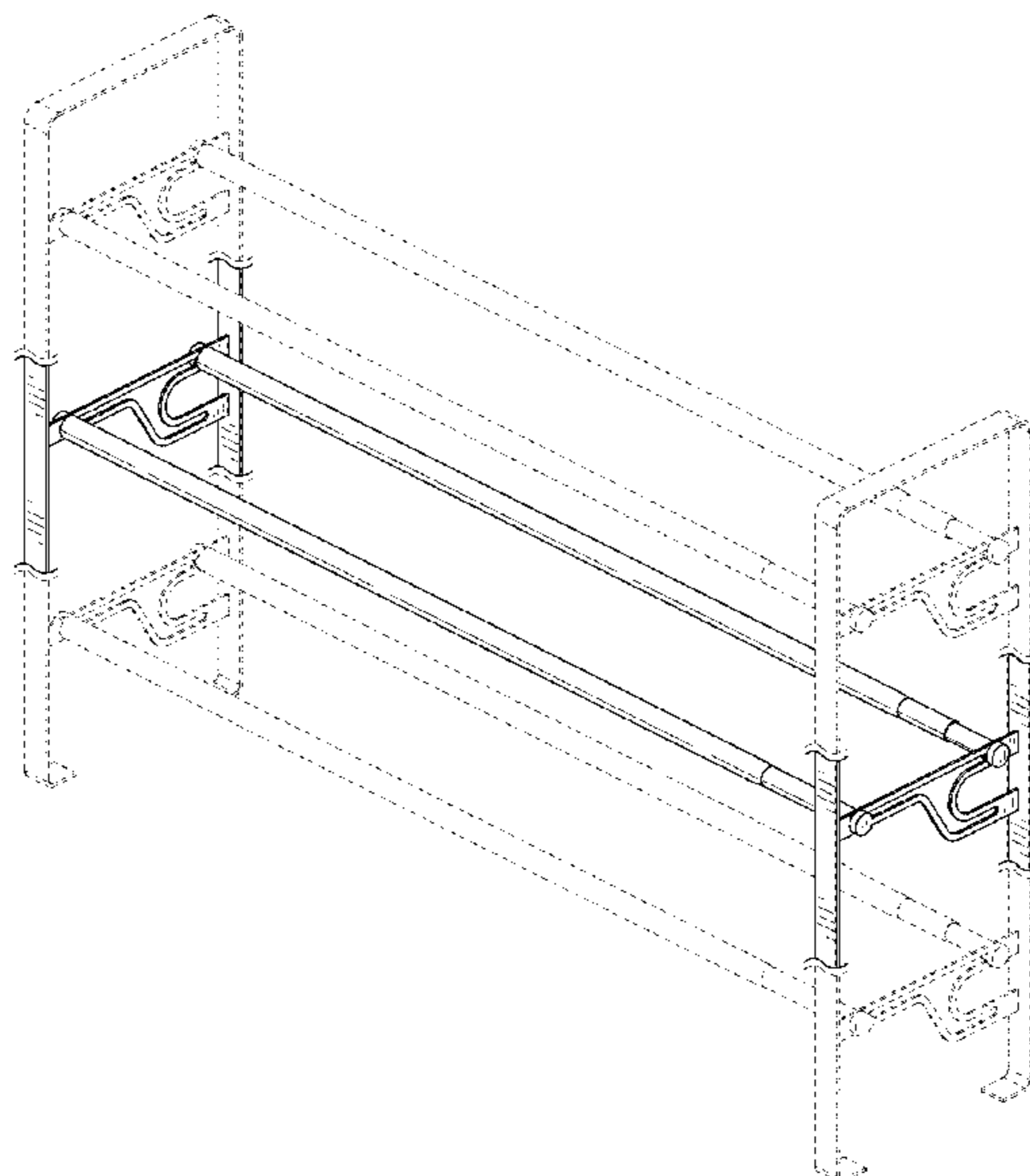
FIG. 1 is a rear perspective view of an adjustable shoe rack showing the new design.
FIG. 2 is a top view of the adjustable shoe rack, shown without the unclaimed portions of the article for ease of disclosure;
FIG. 3 is a rear view thereof;
FIG. 4 is a bottom view thereof;
FIG. 5 is a left side view thereof;
FIG. 6 is a right side view thereof; and,
FIG. 7 is a front view thereof.
The broken lines indicate unclaimed portions of the article and form no part of the claimed design.
The adjustable shoe rack is shown with symbolic breaks in its vertical lengths. The appearance of any portion of article between the break lines forms no part of the claimed design.

1 Claim, 3 Drawing Sheets

(56) **References Cited**

U.S. PATENT DOCUMENTS

2,276,141 A * 3/1942 Atkinson A47L 23/20
211/37
2,431,423 A * 11/1947 Robbins A47B 45/00
211/175
D270,118 S * 8/1983 Wood D6/678.4
D283,570 S * 4/1986 Penner D6/678.4
D290,562 S * 6/1987 Tocci D6/672
4,915,238 A * 4/1990 Cassel A47F 7/08
211/37
D318,196 S * 7/1991 Sheng D6/678.4
D324,139 S * 2/1992 Frazier D6/672
D324,142 S * 2/1992 Cassel D6/678.4
5,172,816 A * 12/1992 Kline A47F 7/08
211/37
D341,500 S * 11/1993 Klein D6/672
D342,397 S * 12/1993 MacDonald D6/672
D377,728 S * 2/1997 Klein D6/315



(56)

References Cited

U.S. PATENT DOCUMENTS

5,992,647 A * 11/1999 Malik G11B 23/0236
211/40
D426,726 S * 6/2000 Fenwick, Jr. D6/678.4
6,234,328 B1 5/2001 Mason
D457,353 S * 5/2002 Klein D6/682.2
D458,772 S * 6/2002 Klein D6/681.1
D461,333 S * 8/2002 Malik D6/678.4
D462,539 S * 9/2002 Segall D6/681.1
D470,338 S * 2/2003 Licari D6/675.5
D473,733 S * 4/2003 Malik D6/672
D481,560 S * 11/2003 Vidmar D8/381
D488,003 S * 4/2004 Malik D6/675.1
D493,289 S * 7/2004 Klein D6/320
D530,540 S * 10/2006 Stravitz D6/675.4
D546,080 S * 7/2007 Chen D6/323
7,249,679 B2 * 7/2007 Klein A47F 7/08
211/175
7,249,680 B2 7/2007 Wang
D587,490 S * 3/2009 Siegel D6/675.2
D598,218 S * 8/2009 Siegel D6/513
D707,978 S * 7/2014 Ruiz D6/320
D723,295 S * 3/2015 Ruiz A47B 96/063
D6/320
D730,664 S * 6/2015 Klein D6/675.1
D787,242 S * 5/2017 Hsu A47B 47/045
D6/675.2
D830,087 S * 10/2018 Greenspon A47B 43/00
D6/675
10,092,095 B2 * 10/2018 Zhu A47B 43/00
10,092,099 B1 * 10/2018 Linari A47B 61/04
10,098,460 B1 * 10/2018 Brinton, Jr. A47B 61/003

D840,728 S * 2/2019 Hsu D6/675.2
10,531,735 B1 * 1/2020 Lucio A47B 57/04
10,561,242 B1 * 2/2020 Ignacio A47B 57/04
D911,084 S * 2/2021 Sabounjian D6/675.2
D912,447 S * 3/2021 Wang A47F 7/08
D6/681
D920,012 S * 5/2021 Huang A47B 45/00
D6/675.1
D935,242 S * 11/2021 Huang A47B 61/04
D6/675.1
D939,253 S * 12/2021 Huang D6/675.2
D939,254 S * 12/2021 Huang A47B 96/024
D6/675.2
2004/0035806 A1 * 2/2004 Klein A47F 5/01
211/35
2004/0118791 A1 * 6/2004 Rimback A47F 7/08
211/119.004
2004/0124165 A1 * 7/2004 Miller A47B 45/00
211/175
2004/0245192 A1 * 12/2004 Hu A47F 7/08
211/118
2006/0049121 A1 * 3/2006 Klein A47B 61/04
211/35
2006/0144805 A1 * 7/2006 Wang A47B 96/024
211/37
2011/0155677 A1 * 6/2011 Fernandez A47B 45/00
211/183
2011/0290750 A1 * 12/2011 Lim A47B 47/045
211/153
2019/0098995 A1 * 4/2019 Brown A47B 57/545
2020/0008577 A1 * 1/2020 Lim A47B 96/063
2021/0244179 A1 * 8/2021 Felsenthal A47F 7/08

* cited by examiner

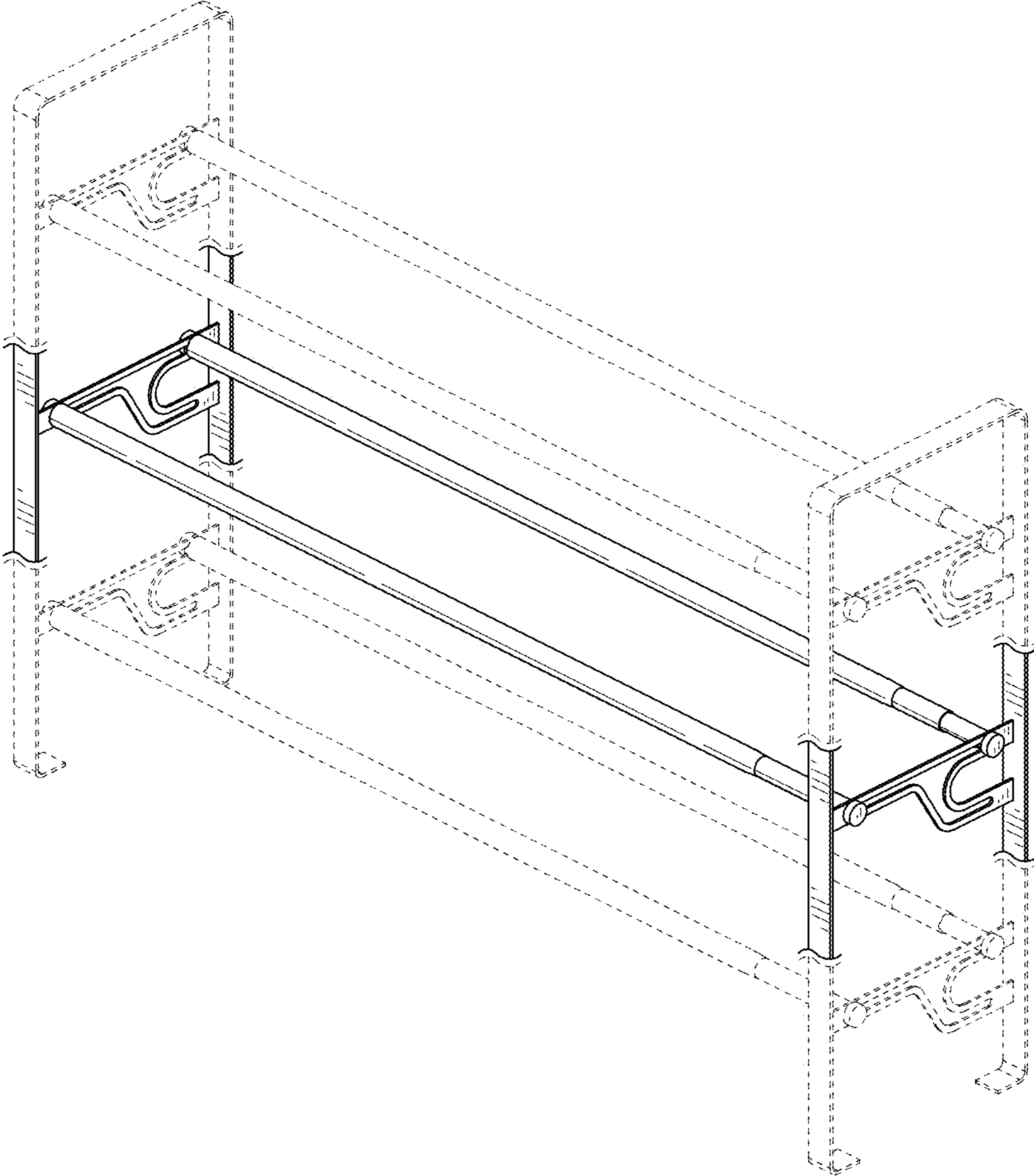


FIG. 1

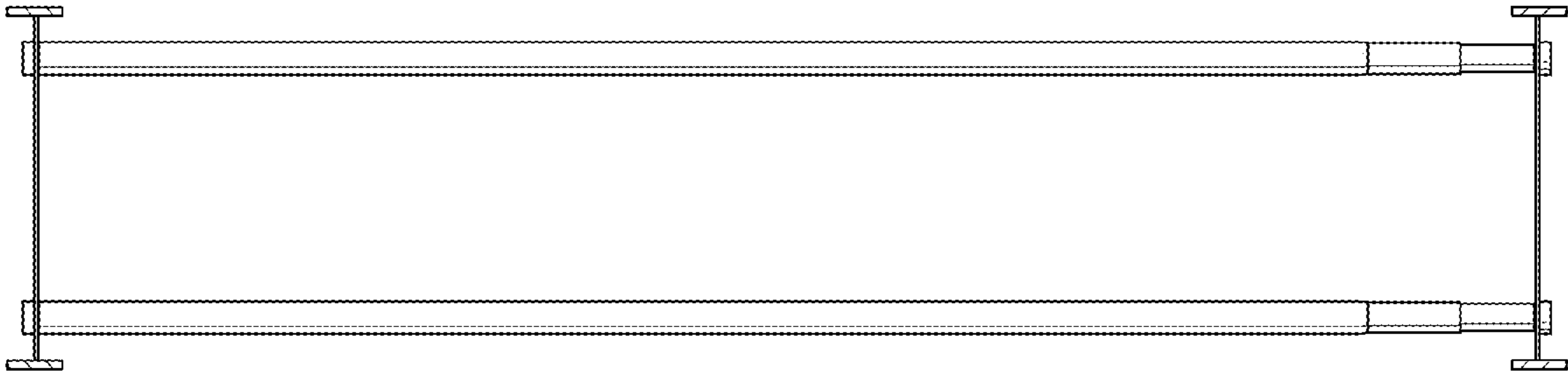


FIG. 2

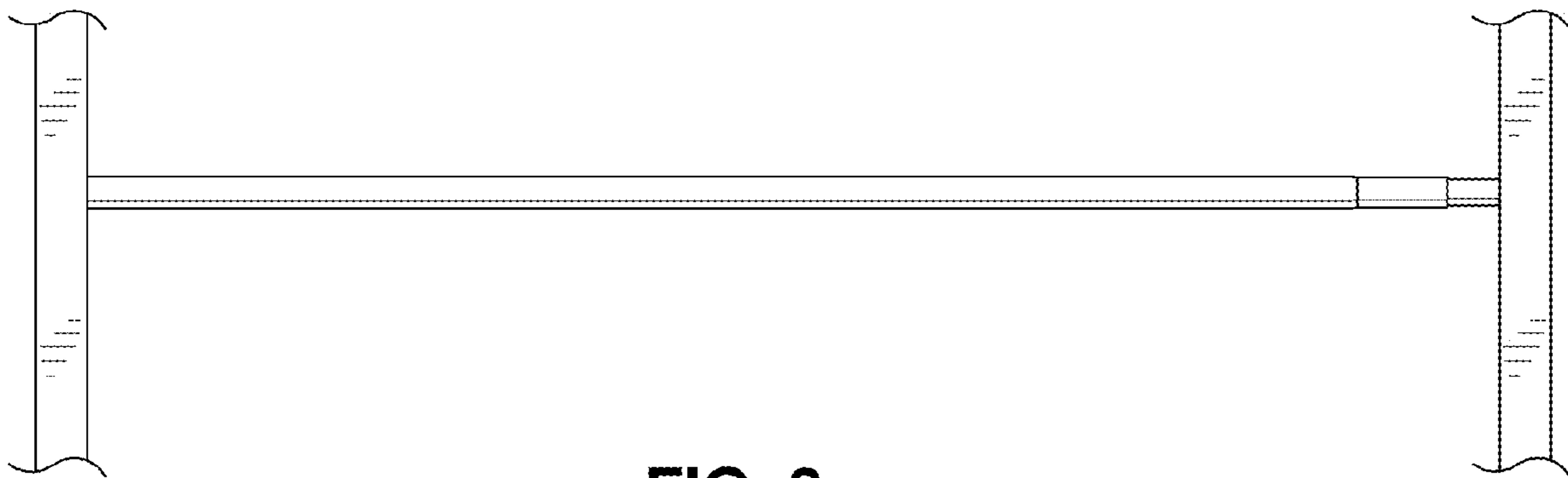


FIG. 3

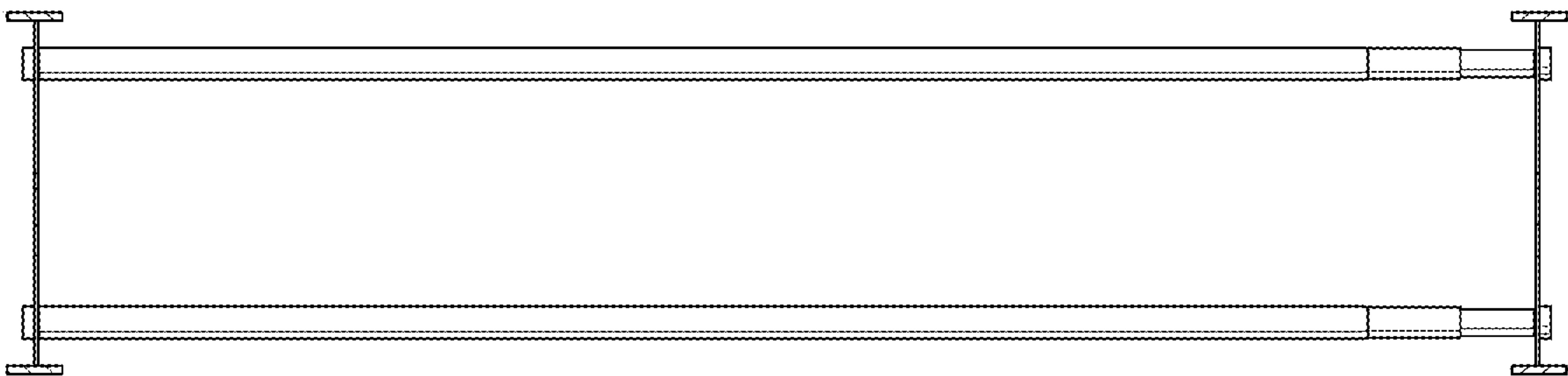


FIG. 4

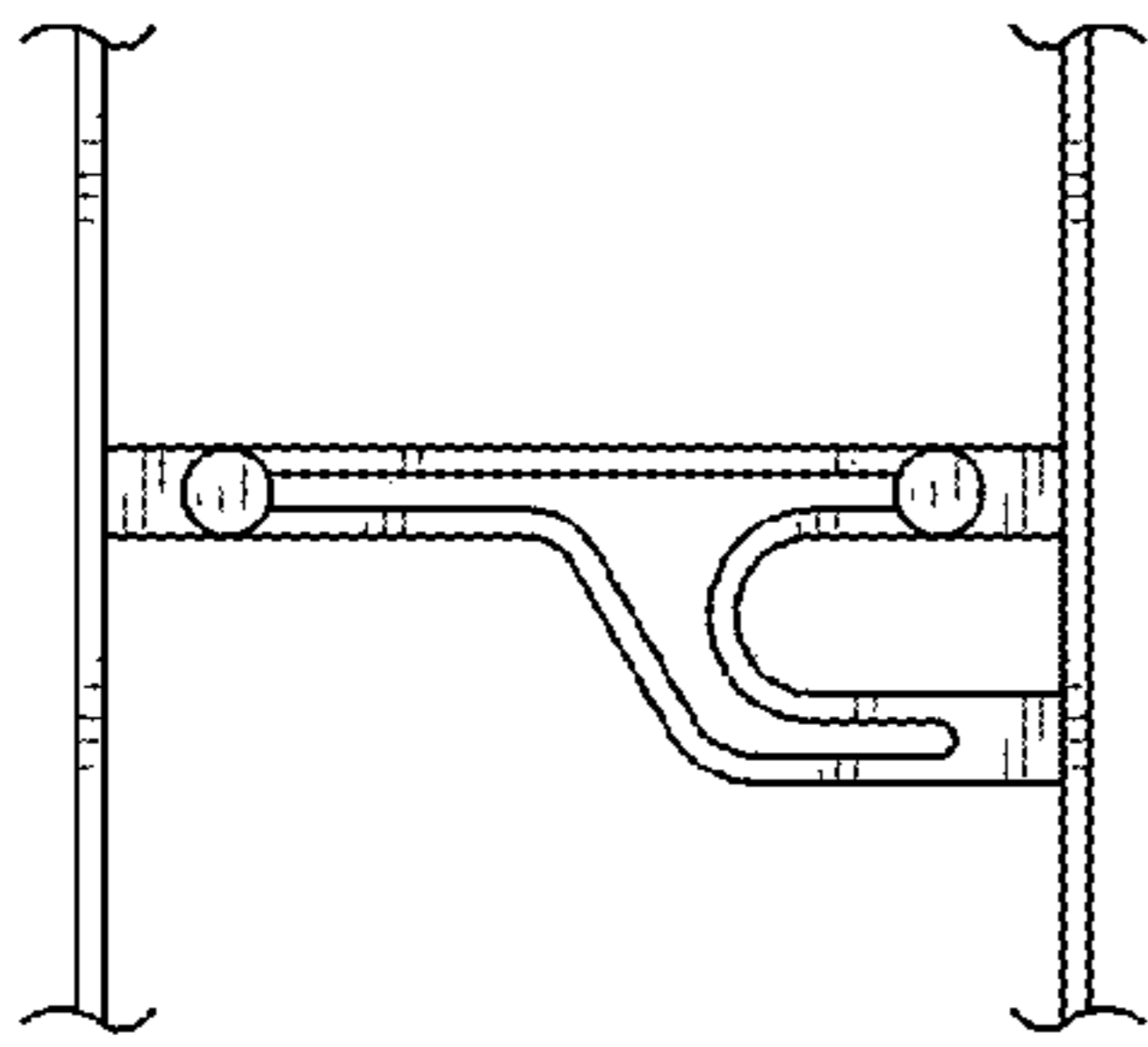


FIG. 5

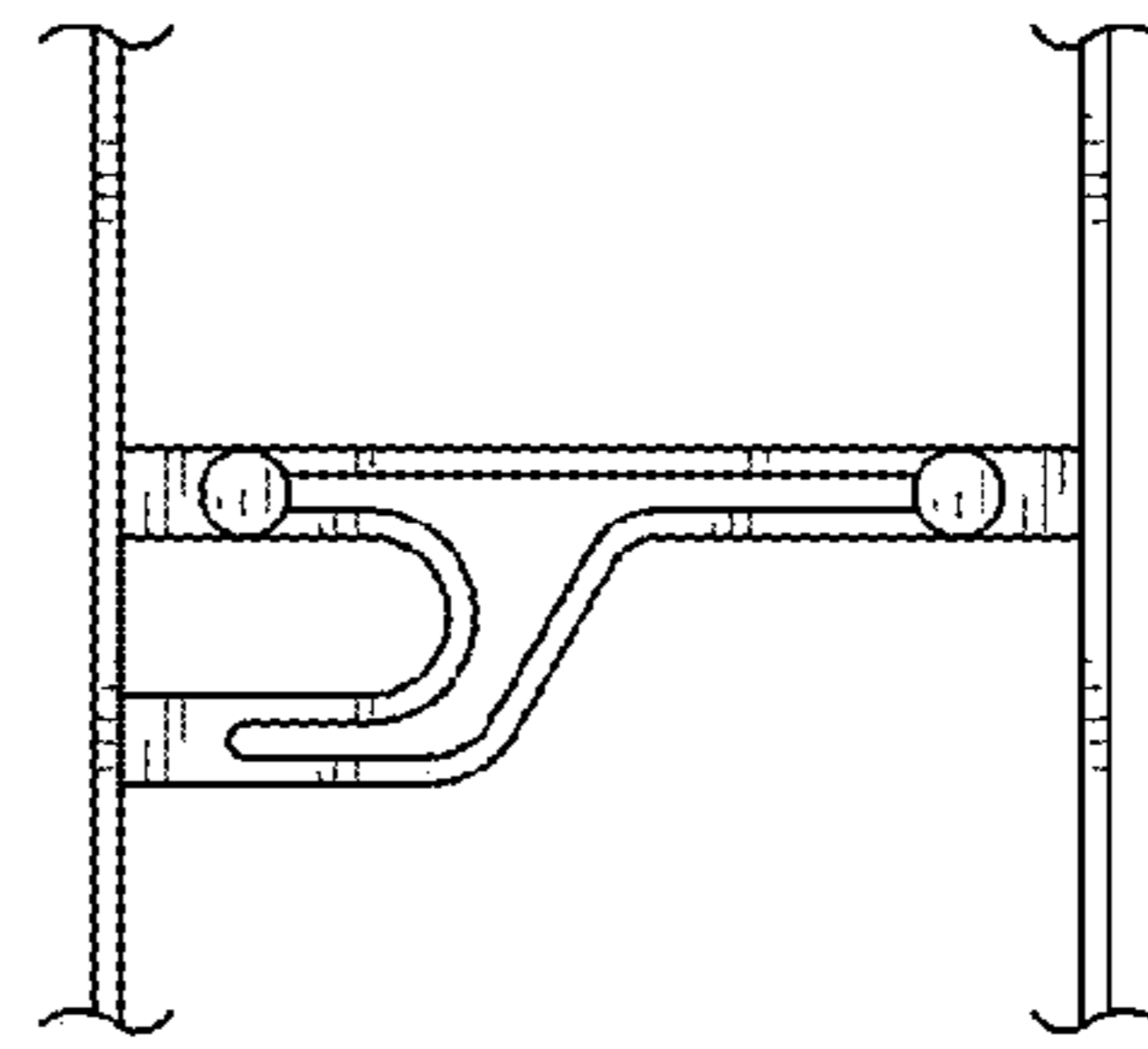


FIG. 6

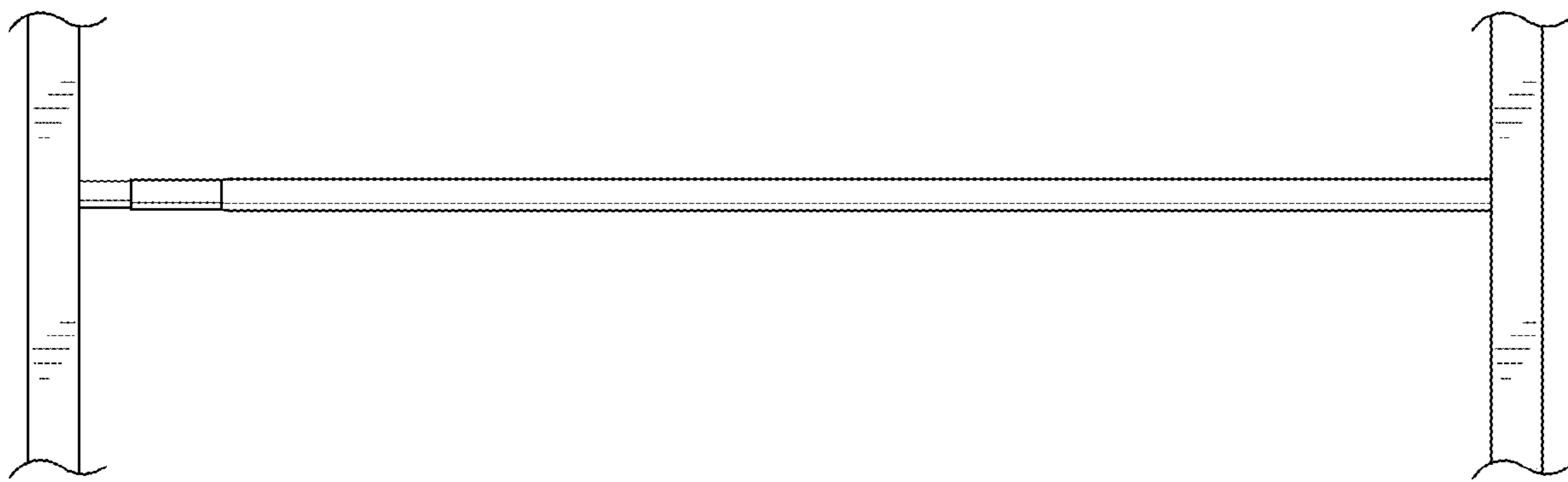


FIG. 7