



US00D977881S

(12) **United States Design Patent**
Pelosi

(10) **Patent No.:** **US D977,881 S**

(45) **Date of Patent:** **** Feb. 14, 2023**

(54) **ADJUSTABLE SHOE RACK**

(71) Applicant: **United Storage Technologies Inc.**, Las Vegas, NV (US)

(72) Inventor: **Raymond Pelosi**, Las Vegas, NV (US)

(**) Term: **15 Years**

(21) Appl. No.: **29/652,463**

(22) Filed: **Aug. 21, 2020**

(51) **LOC (14) Cl.** **06-04**

(52) **U.S. Cl.**
USPC **D6/672**

(58) **Field of Classification Search**
USPC D6/672, 675, 675.1, 675.2, 675.5, 681, D6/681.1, 681.2, 682, 682.6, 552
CPC A47B 81/00; A47B 45/00; A47B 57/04; A47B 61/04; A47F 7/08; A47F 5/0081; A47F 5/01; A47F 5/10
See application file for complete search history.

(56) **References Cited**

U.S. PATENT DOCUMENTS

2,276,141	A *	3/1942	Atkinson	A47L 23/20	211/37
2,431,423	A *	11/1947	Julians	A47B 45/00	211/175
D270,118	S *	8/1983	Wood	D6/678.4	
D283,570	S *	4/1986	Penner	D6/678.4	
D290,562	S *	6/1987	Tocci	D6/672	
4,915,238	A *	4/1990	Cassel	A47F 7/08	211/37
D318,196	S *	7/1991	Sheng	D6/678.4	
D324,139	S *	2/1992	Frazier	D6/672	
D324,142	S *	2/1992	Cassel	D6/678.4	
5,172,816	A *	12/1992	Kline	A47F 7/08	211/37
D341,500	S *	11/1993	Klein	D6/672	

D342,397	S *	12/1993	MacDonald	D6/672	
D377,728	S *	2/1997	Klein	D6/315	
5,617,959	A *	4/1997	Klein	A47F 7/08	211/37
D381,225	S *	7/1997	Malik	D6/513	
D382,434	S *	8/1997	Klein	D6/513	

(Continued)

OTHER PUBLICATIONS

Ustech Shoe Rack, amazon.com, <https://www.amazon.com/USTECH-Slide-n-Adjust-Multi-Position-Expandable-Organizer/dp/B07GRDTRFM?th=1> (Year: 2018).*

Primary Examiner — Steven J Czyz

(74) Attorney, Agent, or Firm — Weide & Miller, Ltd.

(57) **CLAIM**

The ornamental design for an adjustable shoe rack, as shown and described.

DESCRIPTION

FIG. 1 is a rear perspective view of an adjustable shoe rack, showing the new design with environment.

FIG. 2 is a top view of the adjustable shoe rack, shown without environment.

FIG. 3 is a rear view of the adjustable shoe rack of FIG. 1.

FIG. 4 is a bottom view of the adjustable shoe rack of FIG. 1.

FIG. 5 is a left-side view of the adjustable shoe rack of FIG. 1.

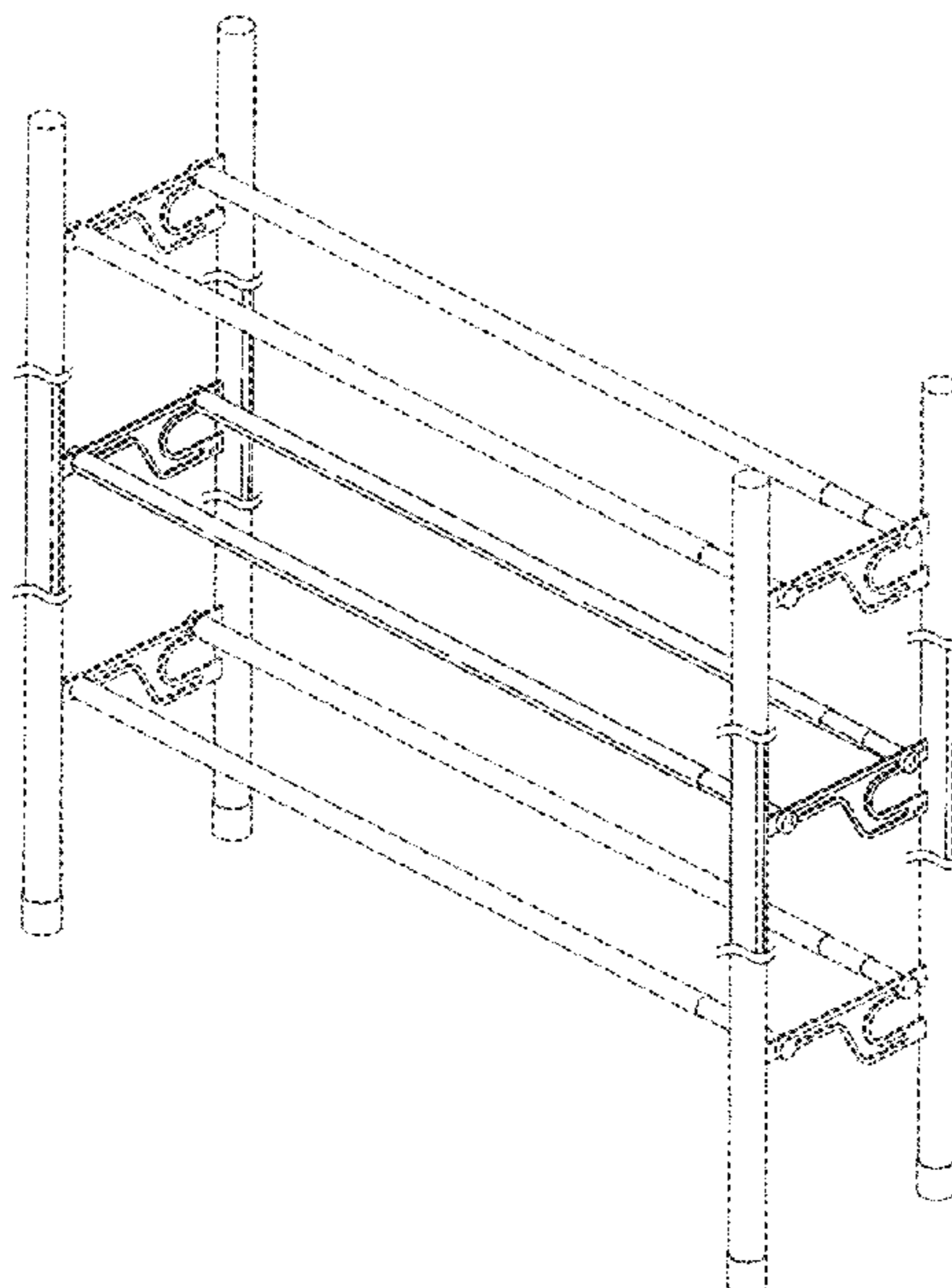
FIG. 6 is a right-side view of the adjustable shoe rack of FIG. 1; and,

FIG. 7 is a front view of the adjustable Shoe Rack of FIG. 1.

The broken lines depict environment that forms no part of the claimed design.

The adjustable shoe rack is shown with symbolic breaks in its length. The appearance of any portion of the article between the break lines forms no part of the claimed design.

1 Claim, 3 Drawing Sheets



(56)

References Cited

U.S. PATENT DOCUMENTS

5,695,073	A *	12/1997	Klein	A47B 87/0207	10,092,095	B2 *	10/2018	Zhu	A47B 43/00
					211/35	10,092,099	B1 *	10/2018	Linari	A47B 61/04
D398,787	S *	9/1998	Malik	D6/682	10,098,460	B1 *	10/2018	Brinton, Jr.	A47B 61/003
5,816,419	A	10/1998	Lamson			D840,728	S *	2/2019	Hsu	D6/675.2
D403,880	S *	1/1999	Malik	D6/681.1	10,531,735	B1 *	1/2020	Lucio	A47B 57/04
5,992,647	A *	11/1999	Malik	G11B 23/0236	10,561,242	B1 *	2/2020	Ignacio	A47B 57/04
					211/40	D911,084	S *	2/2021	Sabounjian	D6/675.2
D426,726	S *	6/2000	Fenwick, Jr.	D6/678.4	D912,447	S *	3/2021	Wang	A47F 7/08
6,234,328	B1	5/2001	Mason								D6/681
D457,353	S *	5/2002	Klein	D6/682.2	D920,012	S *	5/2021	Huang	A47B 45/00
D458,772	S *	6/2002	Klein	D6/681.1						D6/675.1
D461,333	S *	8/2002	Malik	D6/678.4	D935,242	S *	11/2021	Huang	A47B 61/04
D462,539	S *	9/2002	Segall	D6/681.1						D6/675.1
D470,338	S *	2/2003	Licari	D6/675.5	D939,253	S *	12/2021	Huang	D6/675.2
D473,733	S *	4/2003	Malik	D6/672	D939,254	S *	12/2021	Huang	A47B 96/024
D481,560	S *	11/2003	Vidmar	D8/381						D6/675.2
D488,003	S *	4/2004	Malik	D6/675.1	2004/0035806	A1 *	2/2004	Klein	A47F 5/01
D493,289	S *	7/2004	Klein	D6/320						211/35
D530,540	S *	10/2006	Stravitz	D6/675.4	2004/0118791	A1 *	6/2004	Rimback	A47F 7/08
D546,080	S *	7/2007	Chen	D6/323						211/119.004
7,249,679	B2 *	7/2007	Klein	A47F 7/08	2004/0124165	A1 *	7/2004	Miller	A47B 45/00
					211/175						211/175
7,249,680	B2	7/2007	Wang			2004/0245192	A1 *	12/2004	Hu	A47F 7/08
D587,490	S *	3/2009	Siegel	D6/675.2						211/118
D598,218	S *	8/2009	Siegel	D6/513	2006/0049121	A1 *	3/2006	Klein	A47B 61/04
D707,978	S *	7/2014	Ruiz	D6/320						211/35
D723,295	S *	3/2015	Ruiz	A47B 96/063	2006/0144805	A1 *	7/2006	Wang	A47B 96/024
					D6/320						211/37
D730,664	S *	6/2015	Klein	D6/675.1	2011/0155677	A1 *	6/2011	Fernandez	A47B 45/00
D787,242	S *	5/2017	Hsu	A47B 47/045						211/183
					D6/675.2	2011/0290750	A1 *	12/2011	Lim	A47B 47/045
D830,087	S *	10/2018	Greenspon	A47B 43/00						211/153
					D6/675	2019/0098995	A1 *	4/2019	Brown	A47B 57/545
						2020/0008577	A1 *	1/2020	Lim	A47B 96/063
						2021/0244179	A1 *	8/2021	Felsenthal	A47F 7/08

* cited by examiner

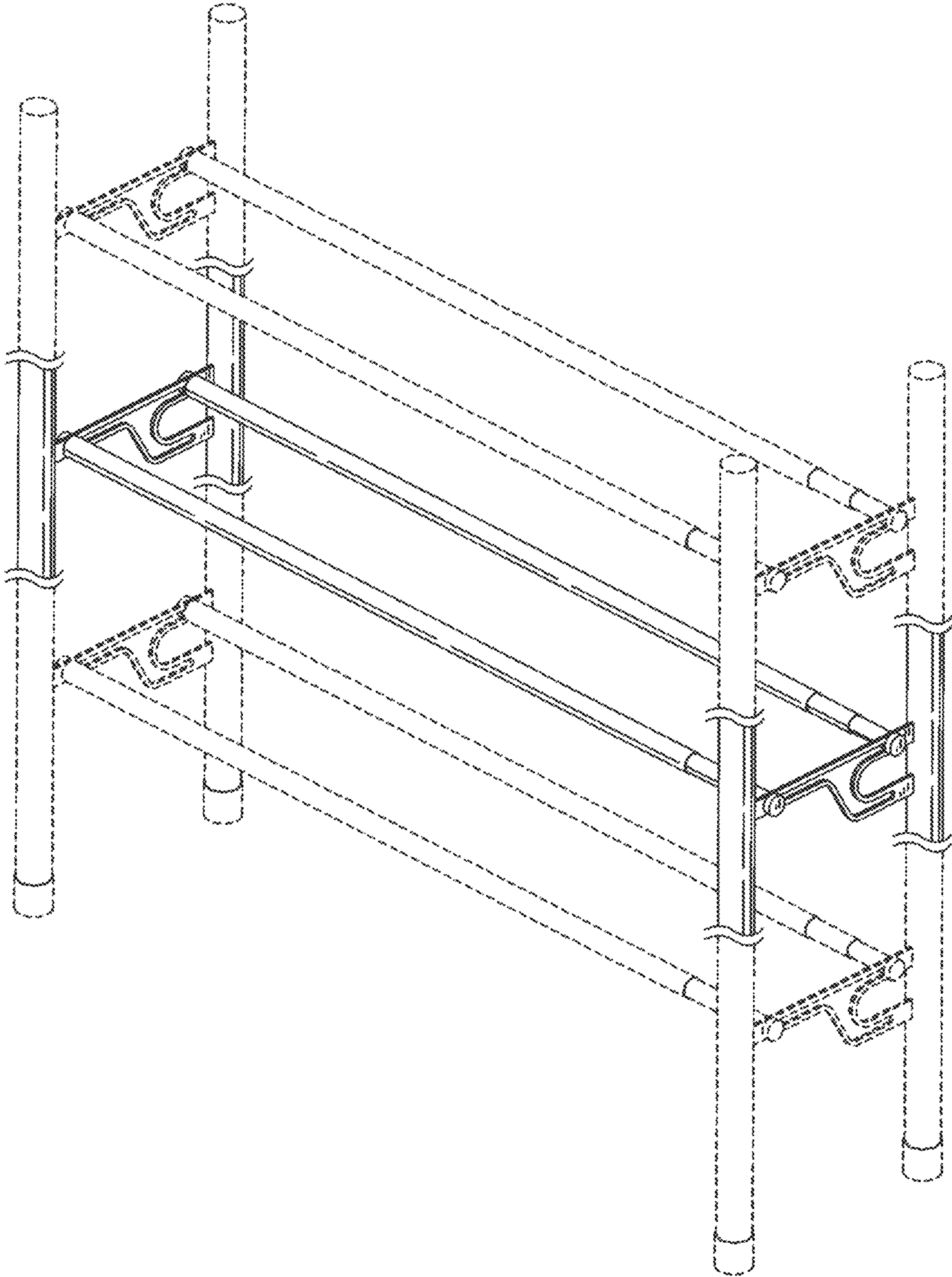


FIG. 1

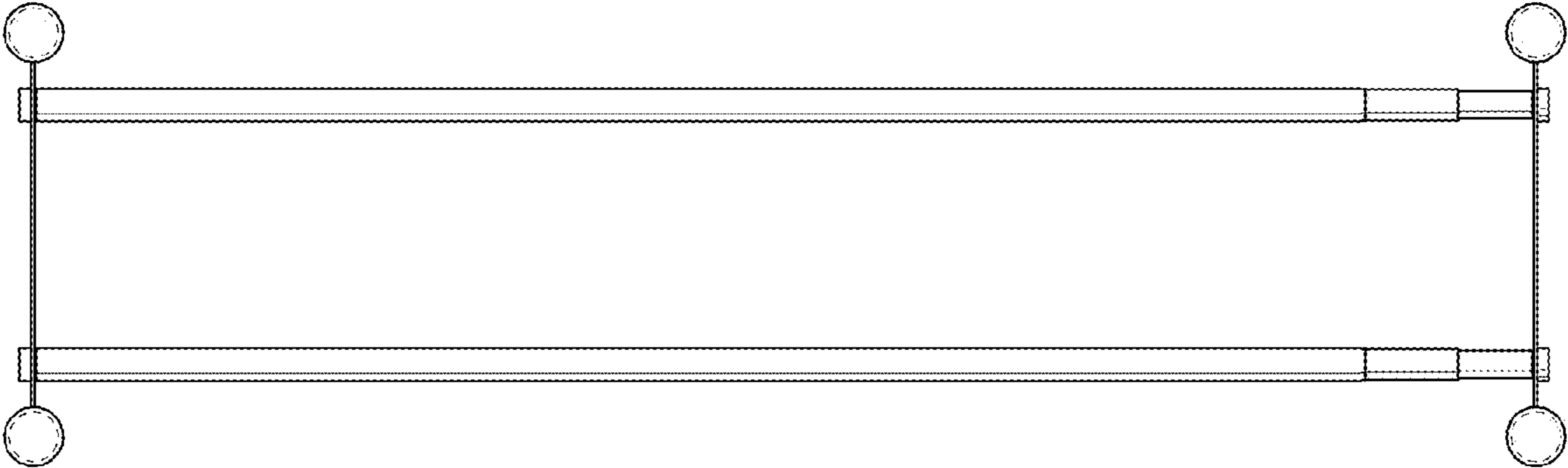


FIG. 2

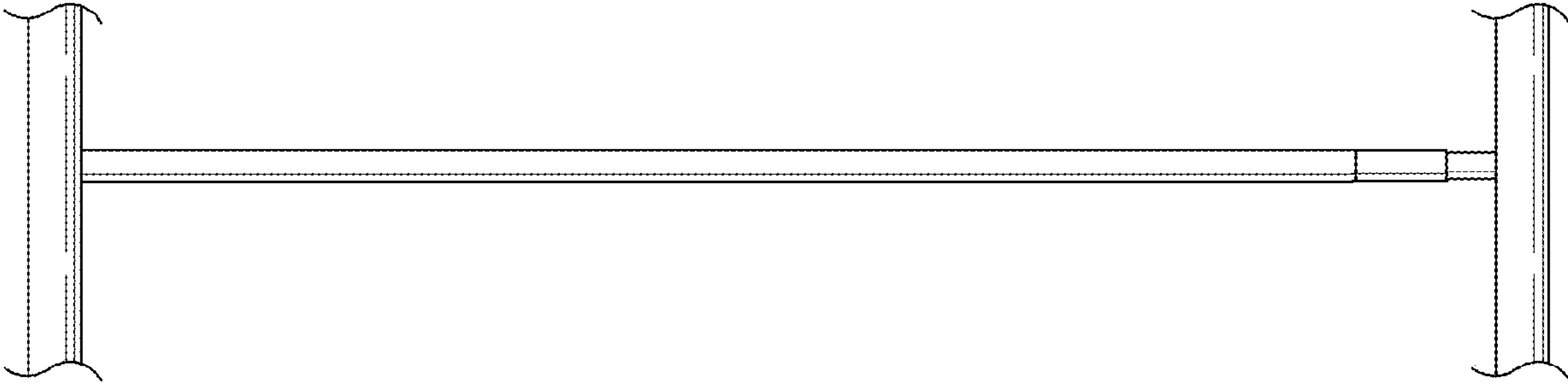


FIG. 3

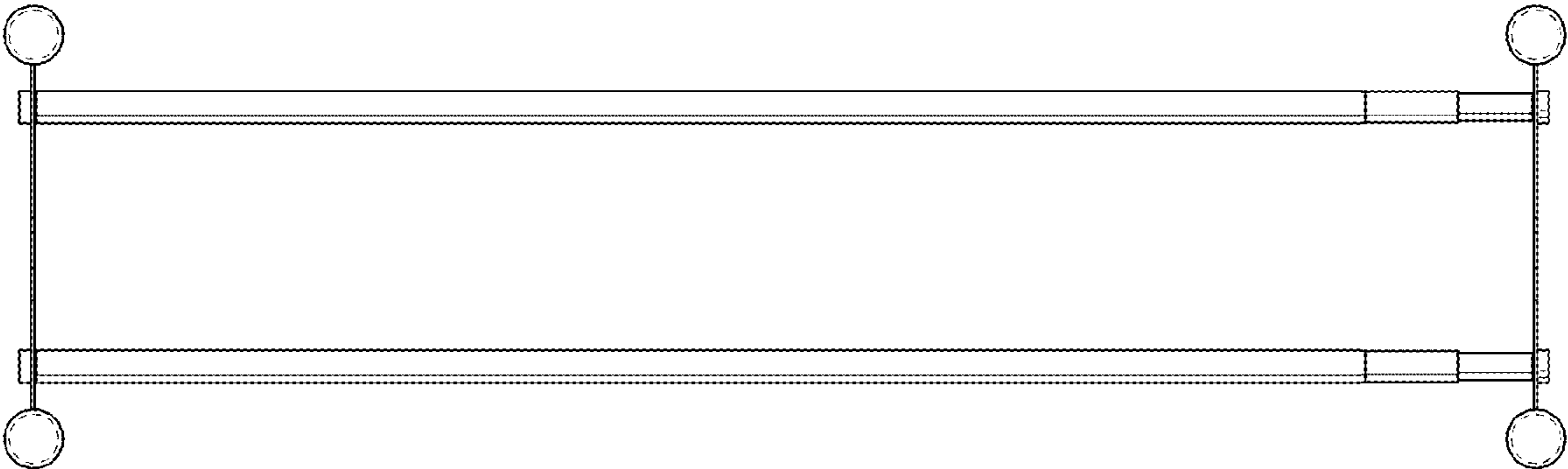


FIG. 4

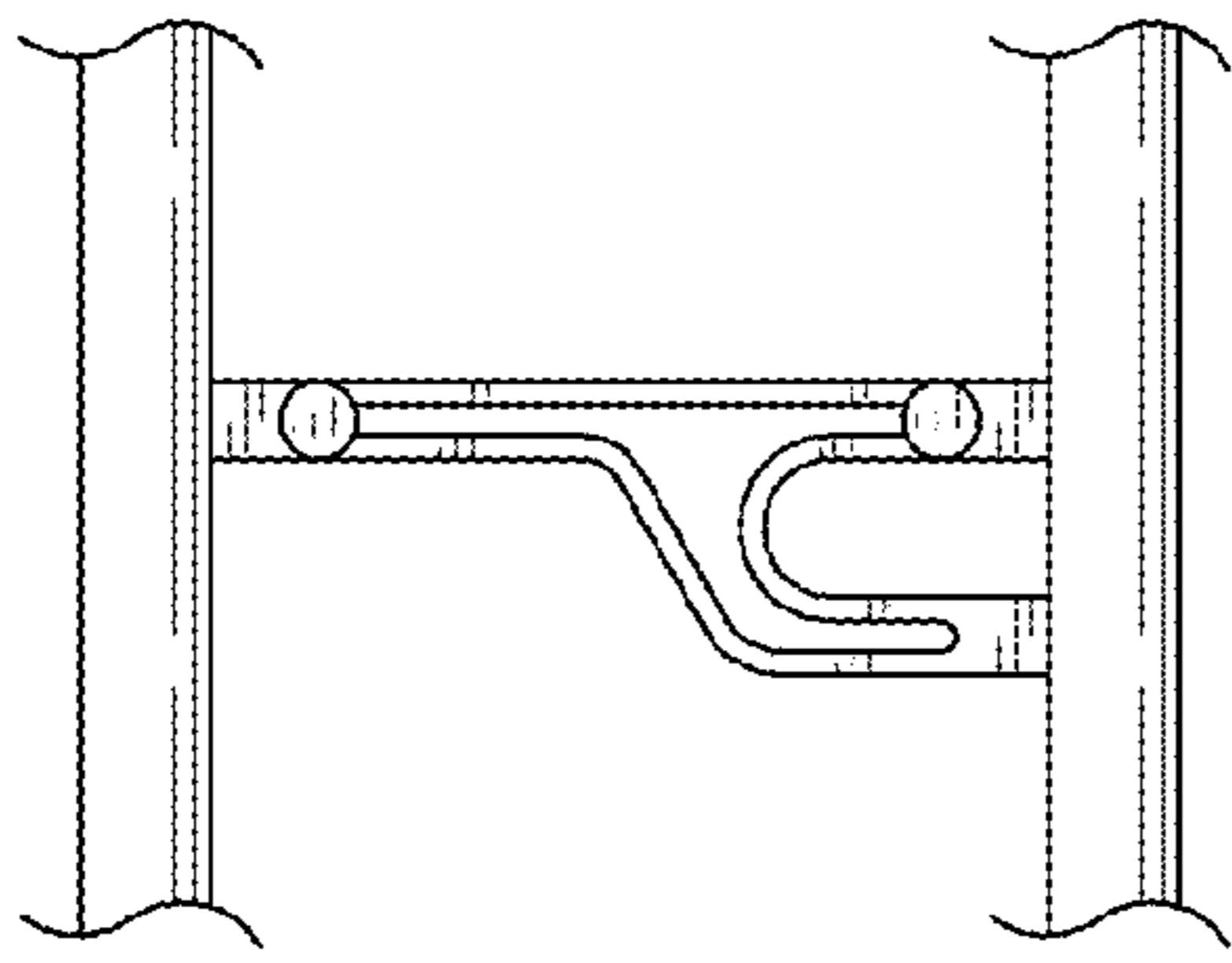


FIG. 5

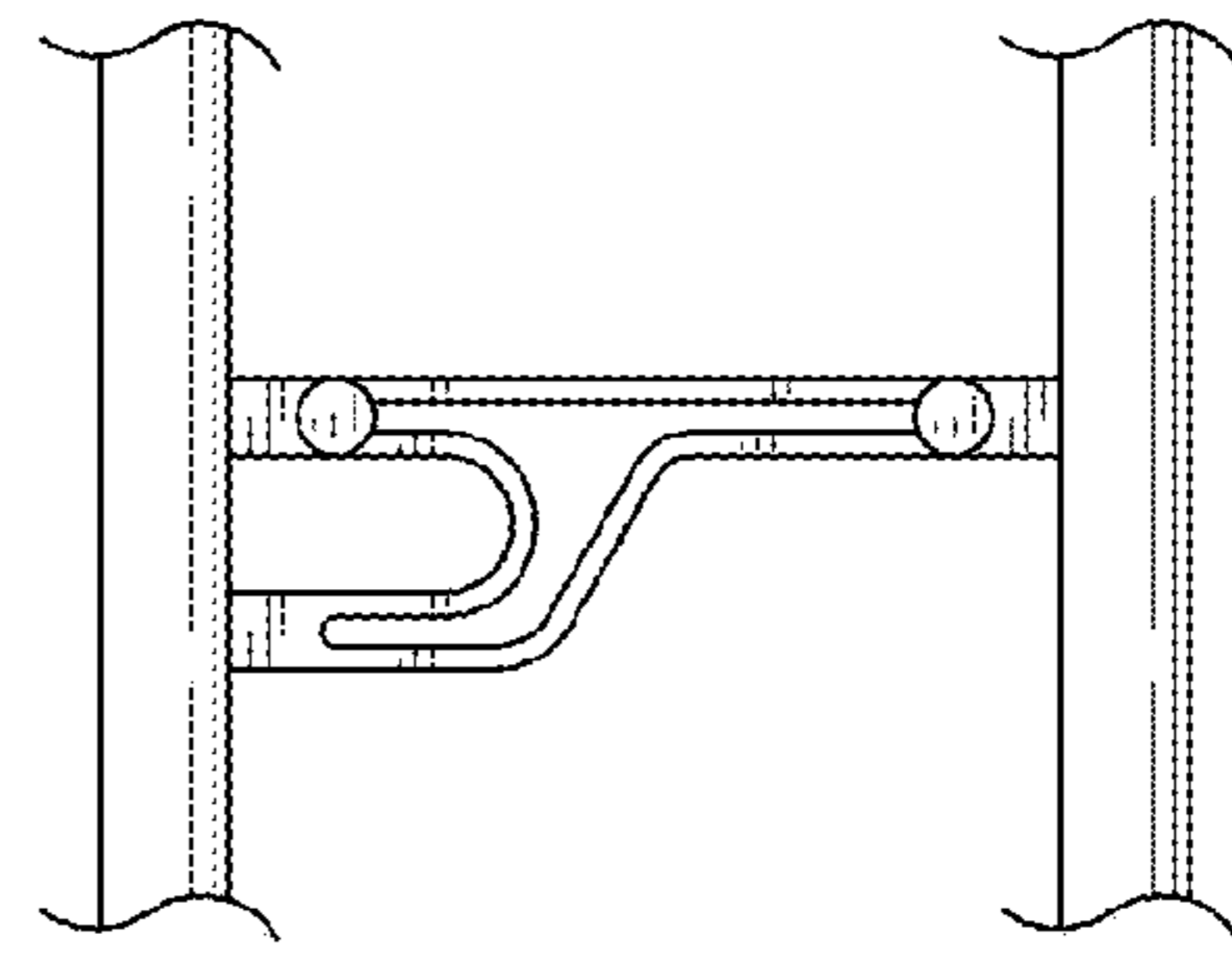


FIG. 6

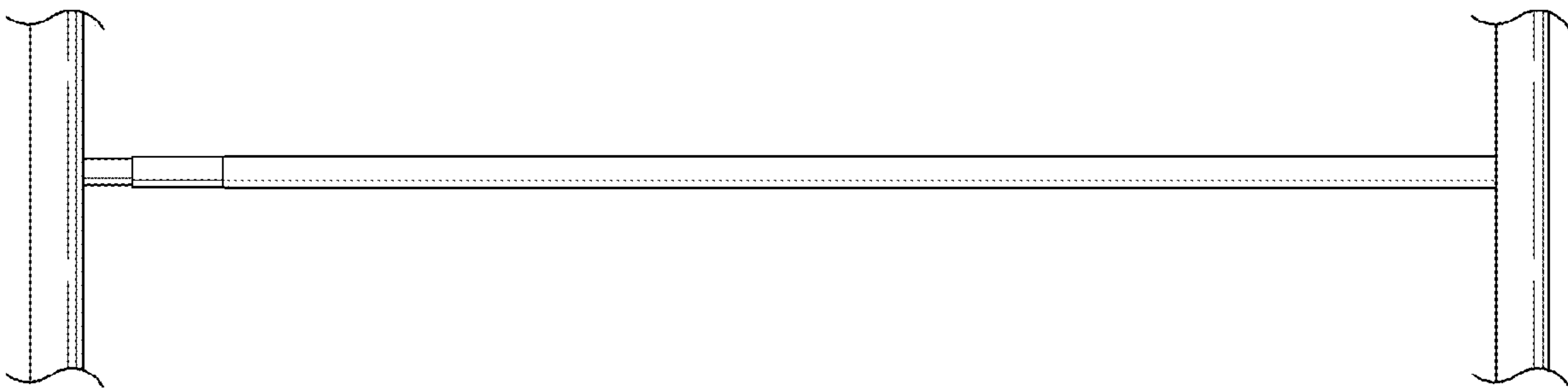


FIG. 7