



US00D977879S

(12) **United States Design Patent**  
**Lei**

(10) **Patent No.:** **US D977,879 S**

(45) **Date of Patent:** **\*\* Feb. 14, 2023**

(54) **DESK**

(71) Applicant: **US Clivia Trading Inc.**, Alhambra, CA (US)

(72) Inventor: **Qinghu Lei**, Alhambra, CA (US)

(\*\*) Term: **15 Years**

(21) Appl. No.: **29/835,813**

(22) Filed: **Apr. 21, 2022**

(51) **LOC (14) Cl.** ..... **06-03**

(52) **U.S. Cl.**  
USPC ..... **D6/648**

(58) **Field of Classification Search**

USPC ..... D6/641, 648, 648.1, 648.2, 648.3, 648.4, D6/652, 655, 655.1, 655.11, 655.12, D6/655.14, 655.15, 655.17, 655.18, D6/655.19, 685, 695, 695.4, 695.5  
CPC . A47B 2200/0003; A47B 13/02; A47B 13/06; A47B 13/00; A47B 21/00

See application file for complete search history.

(56) **References Cited**

**U.S. PATENT DOCUMENTS**

D880,905 S	*	4/2020	Huang	.....	D6/648
D899,154 S	*	10/2020	Huang	.....	D6/648
D910,342 S		2/2021	Li		
D917,934 S	*	5/2021	Chu	.....	D6/648
D936,393 S		11/2021	Li		
D954,472 S	*	6/2022	Li	.....	D6/648

**OTHER PUBLICATIONS**

“Teraves Reversible L Shaped Desk.” Found online Nov. 18, 2022 at www.amazon.com. Product first available Jun. 30, 2019. Retrieved from URL: https://www.amazon.com/dp/B07VYH8RZV (Year: 2019).\*

“Weeholm Reversible L Shaped Desk.” Found online Nov. 18, 2022 at www.amazon.com. Product first available Aug. 8, 2019. Retrieved from URL: https://www.amazon.com/Weeholm-Reversible-Shelves-Computer-Workstation/dp/B0912RYPR3 (Year: 2019).\*

\* cited by examiner

*Primary Examiner* — Mary Ann Calabrese

*Assistant Examiner* — Katelin G Kloberg

(74) *Attorney, Agent, or Firm* — Clement Cheng

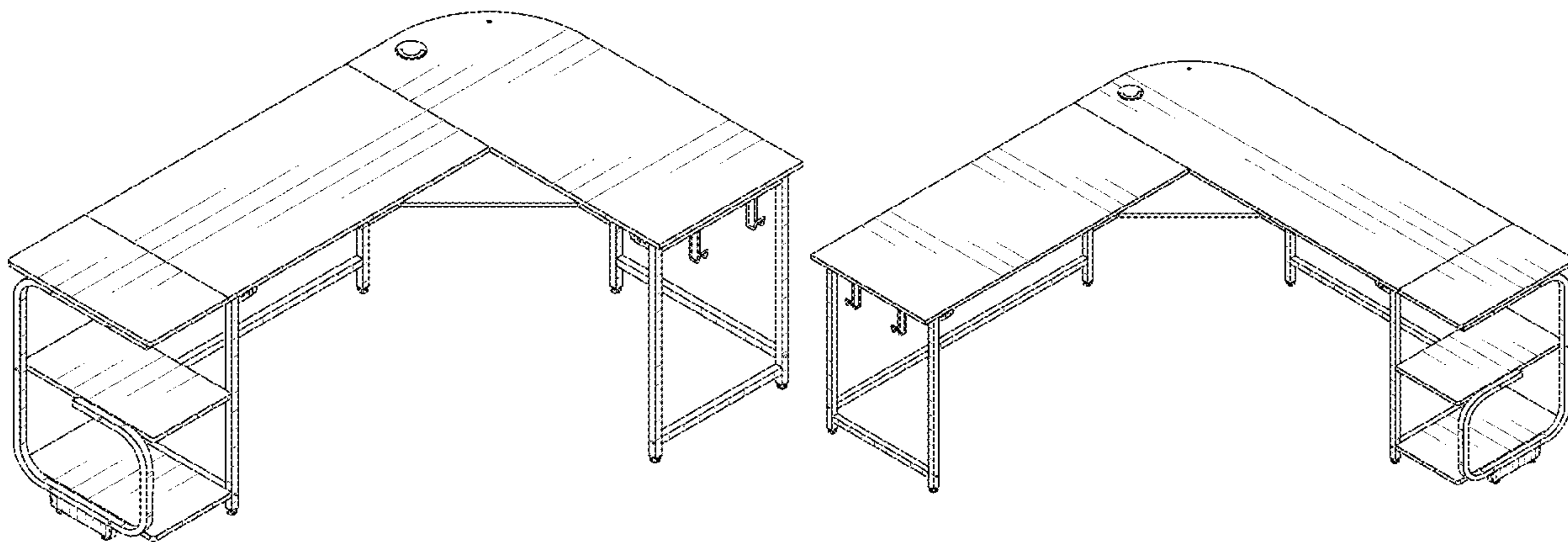
(57) **CLAIM**

The ornamental design for a desk, as shown and described.

**DESCRIPTION**

FIG. 1 is a front perspective view of a desk, showing a first embodiment of my new design;  
FIG. 2 is a bottom perspective view of the desk shown in FIG. 1.  
FIG. 3 is a left side view of the desk shown in FIG. 1.  
FIG. 4 is a right side view of the desk shown in FIG. 1.  
FIG. 5 is a front view of the desk shown in FIG. 1.  
FIG. 6 is a back view of the desk shown in FIG. 1.  
FIG. 7 is a top view of the desk shown in FIG. 1.  
FIG. 8 is a bottom view of the desk shown in FIG. 1.  
FIG. 9 is a front perspective view of a desk, showing a second embodiment of my new design;  
FIG. 10 is a bottom perspective view of a desk shown in FIG. 9  
FIG. 11 is a front view of a desk shown in FIG. 9  
FIG. 12 is a back view of a desk shown in FIG. 9  
FIG. 13 is a left view of a desk shown in FIG. 9  
FIG. 14 is a right view of a desk shown in FIG. 9  
FIG. 15 is a top view of a desk shown in FIG. 9; and,  
FIG. 16 is a bottom view of a desk shown in FIG. 9.

**1 Claim, 16 Drawing Sheets**



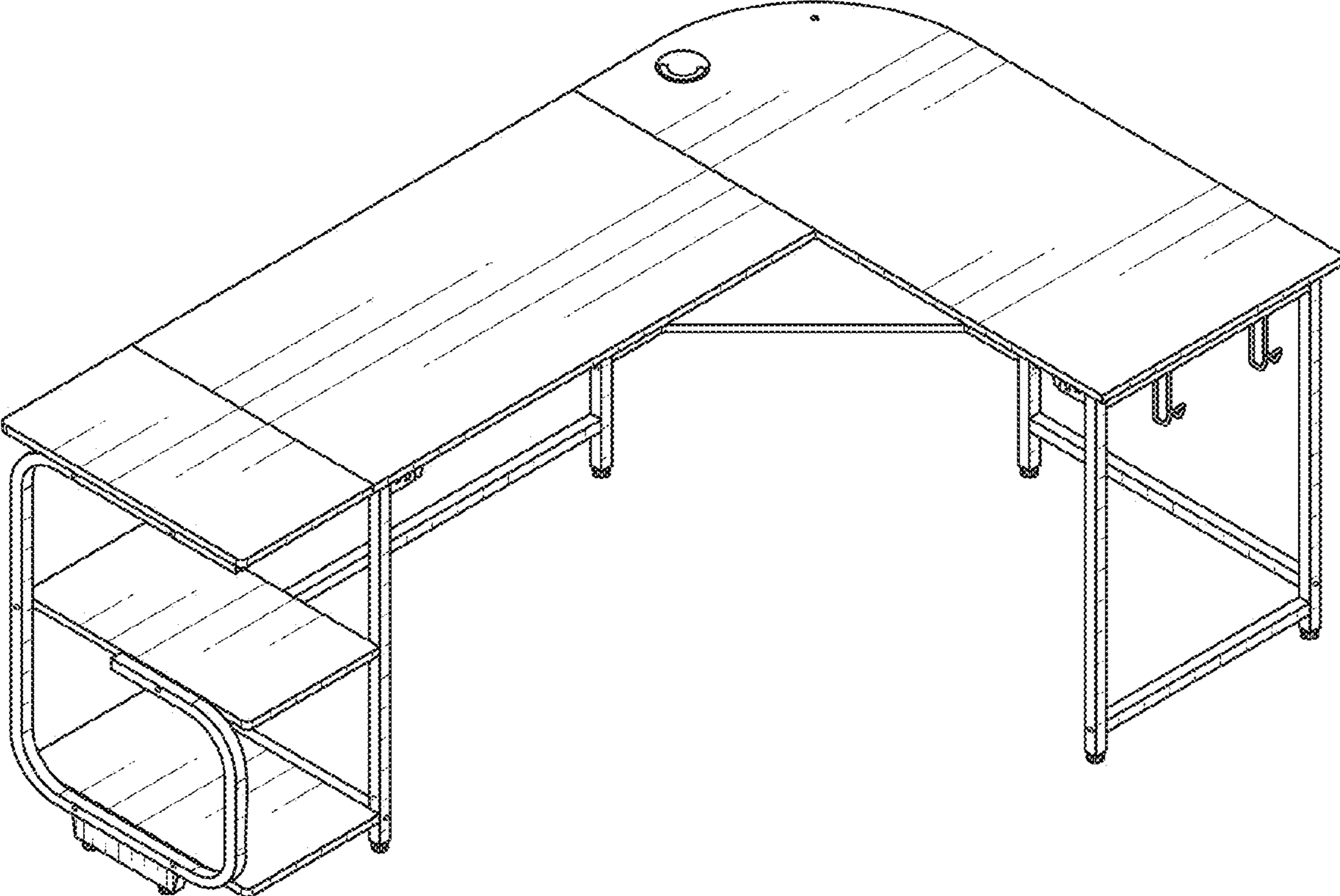


FIG. 1

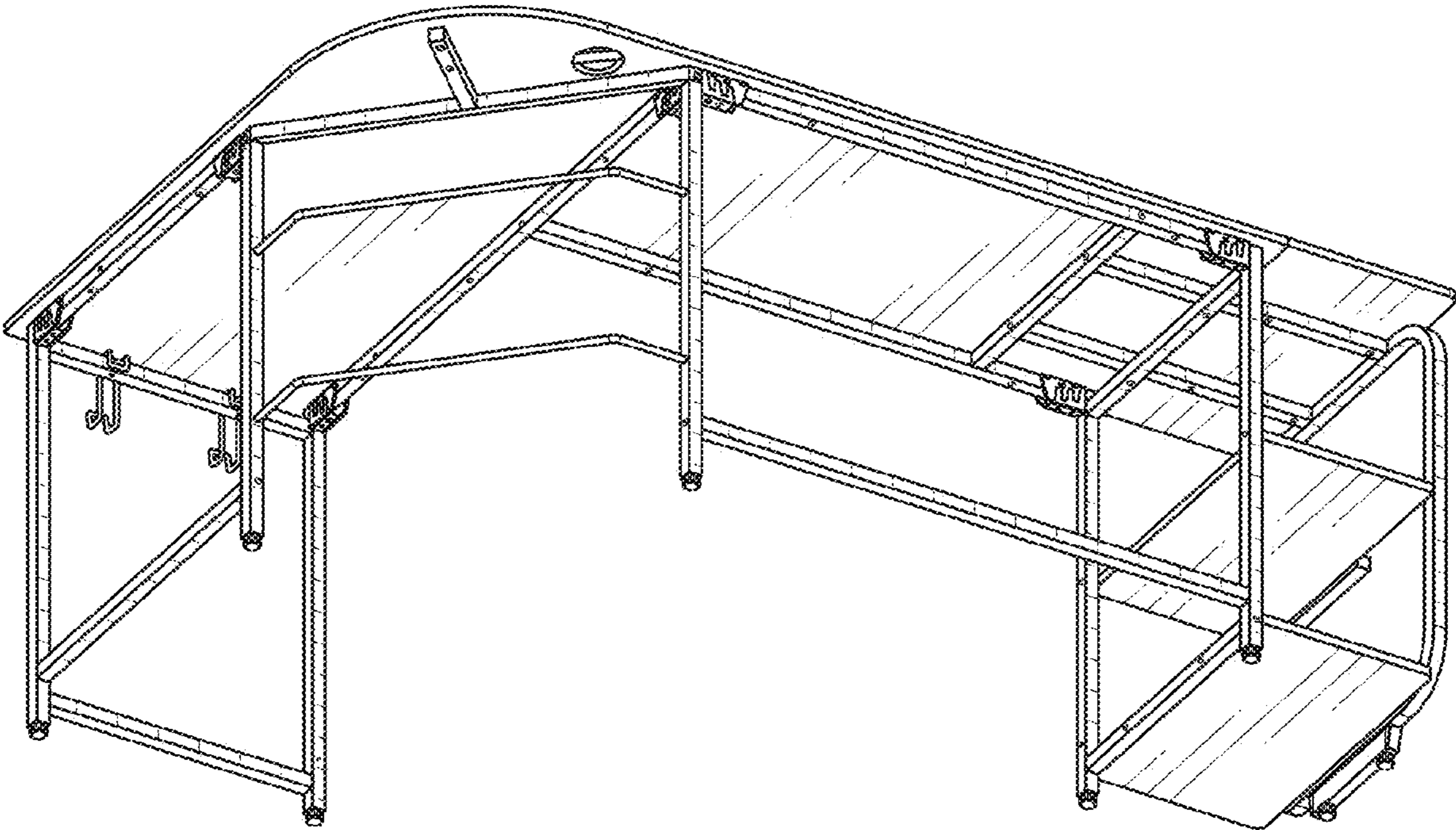


FIG. 2

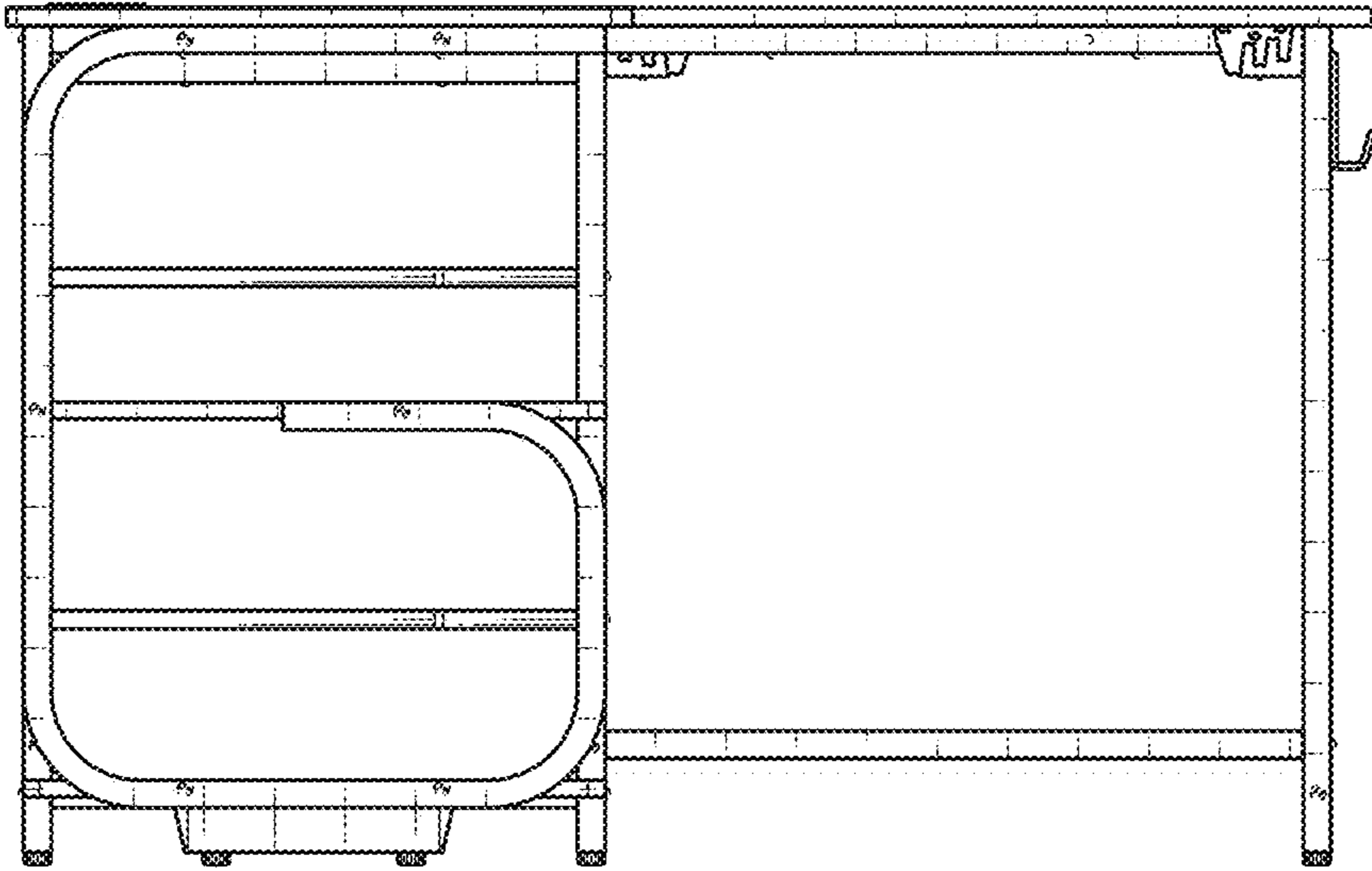


FIG. 3

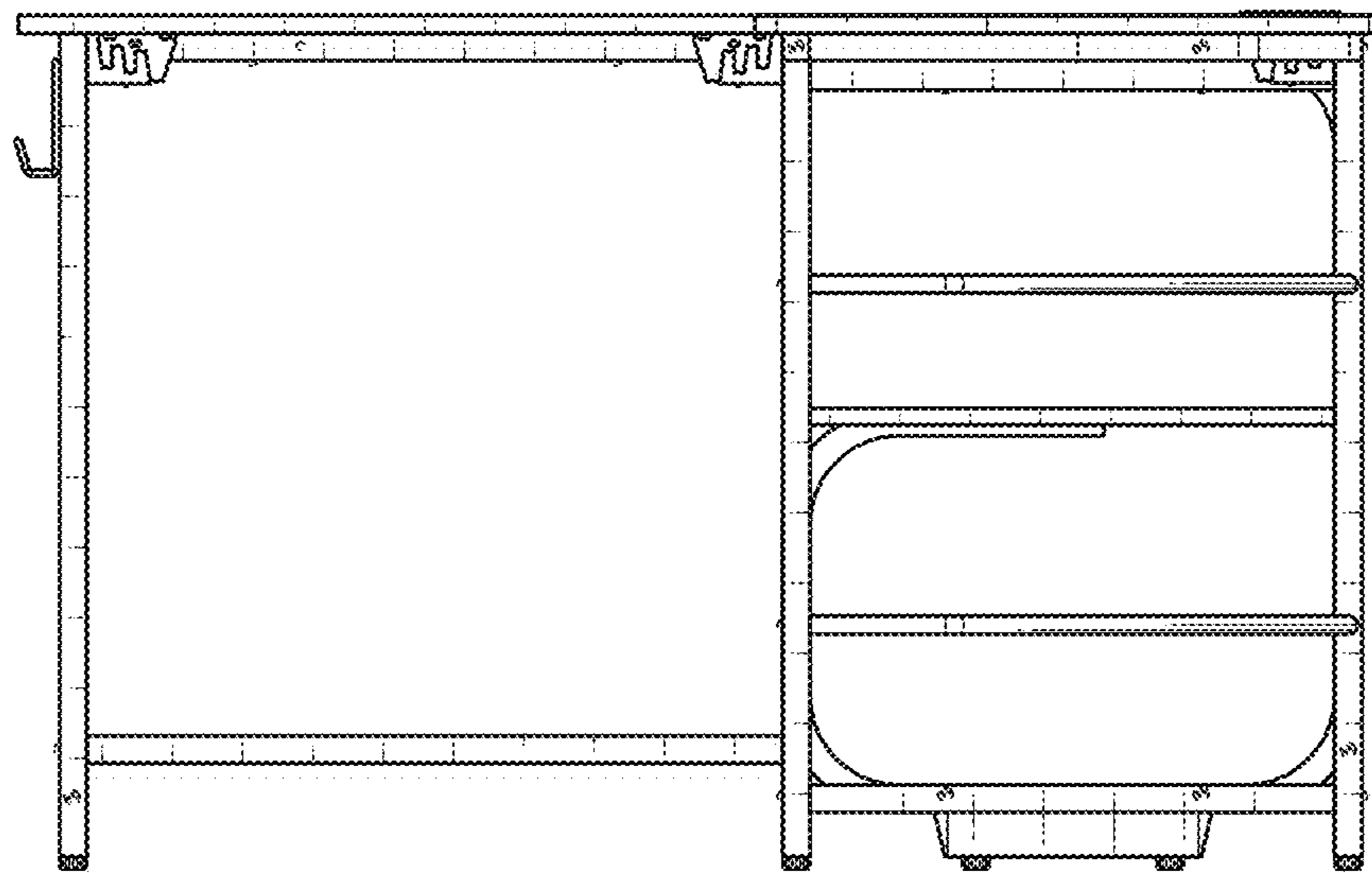


FIG. 4

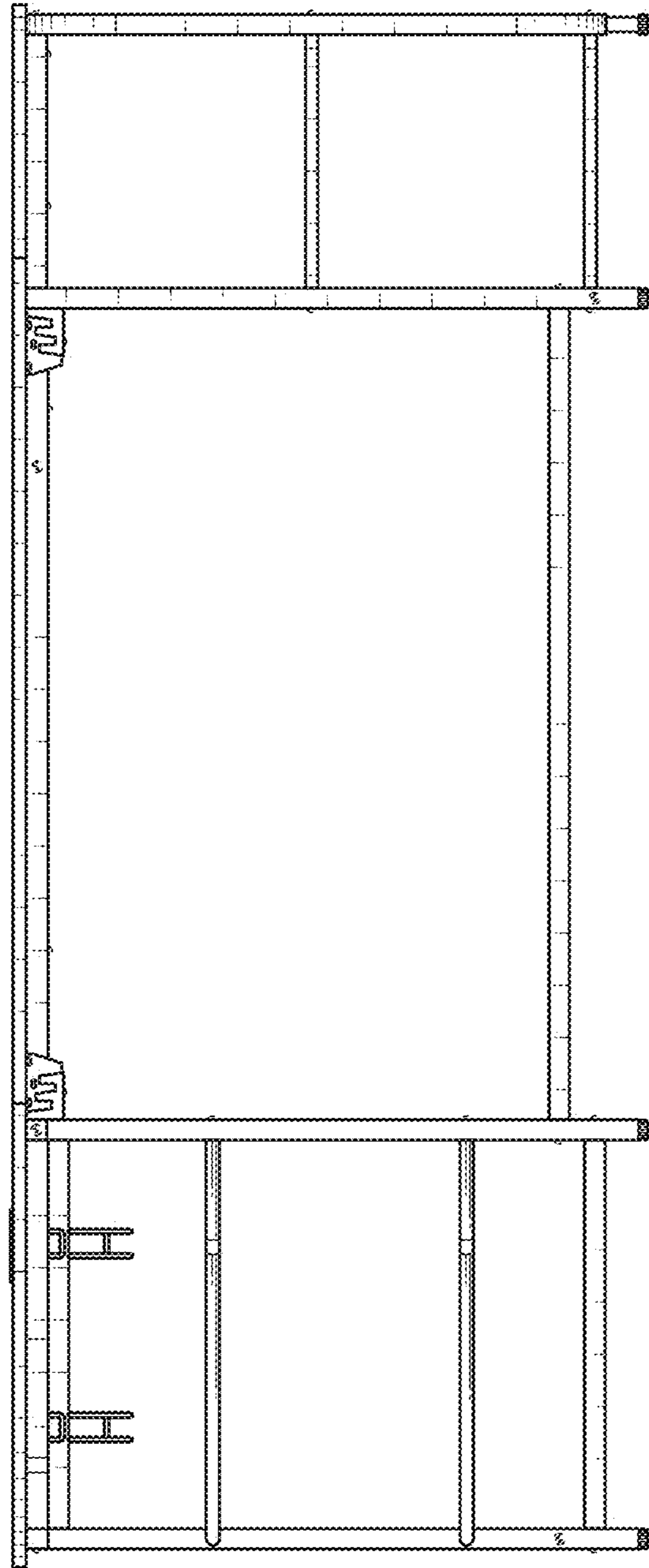


FIG. 5

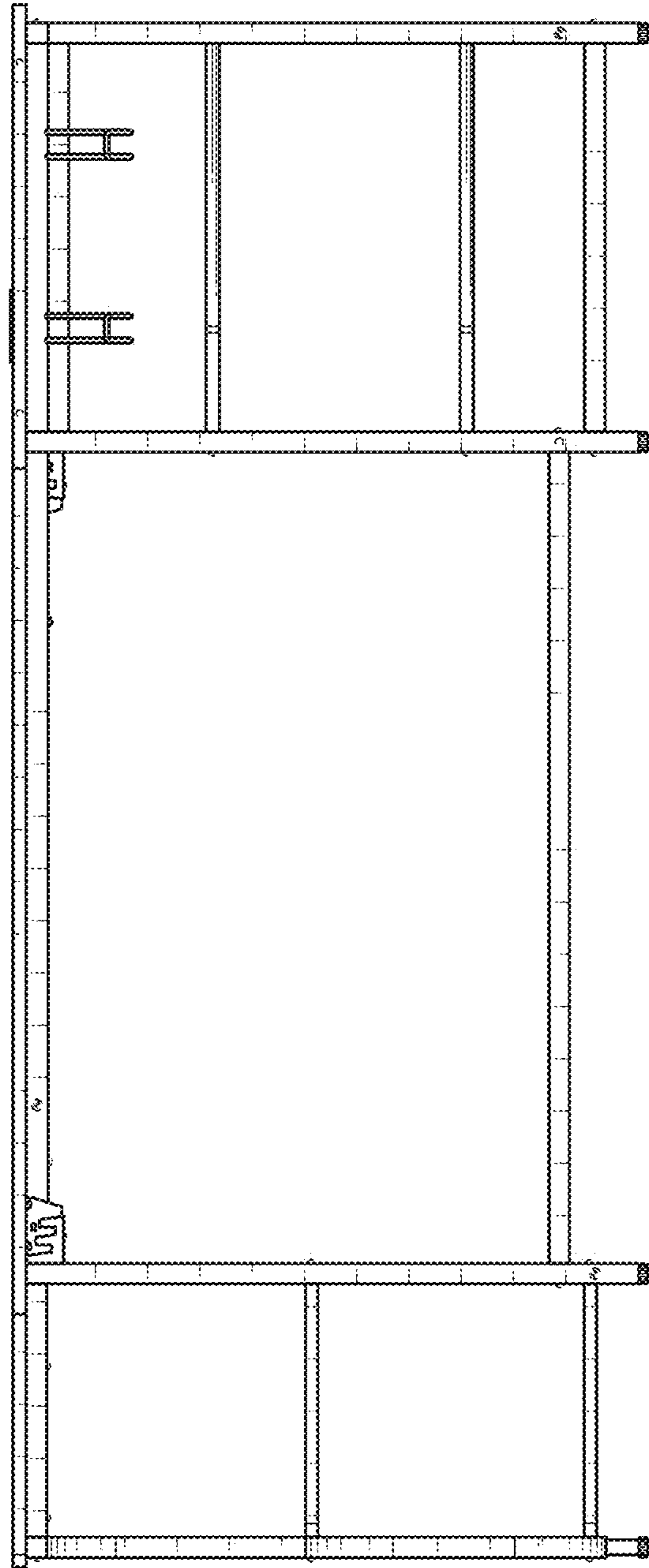


FIG. 6

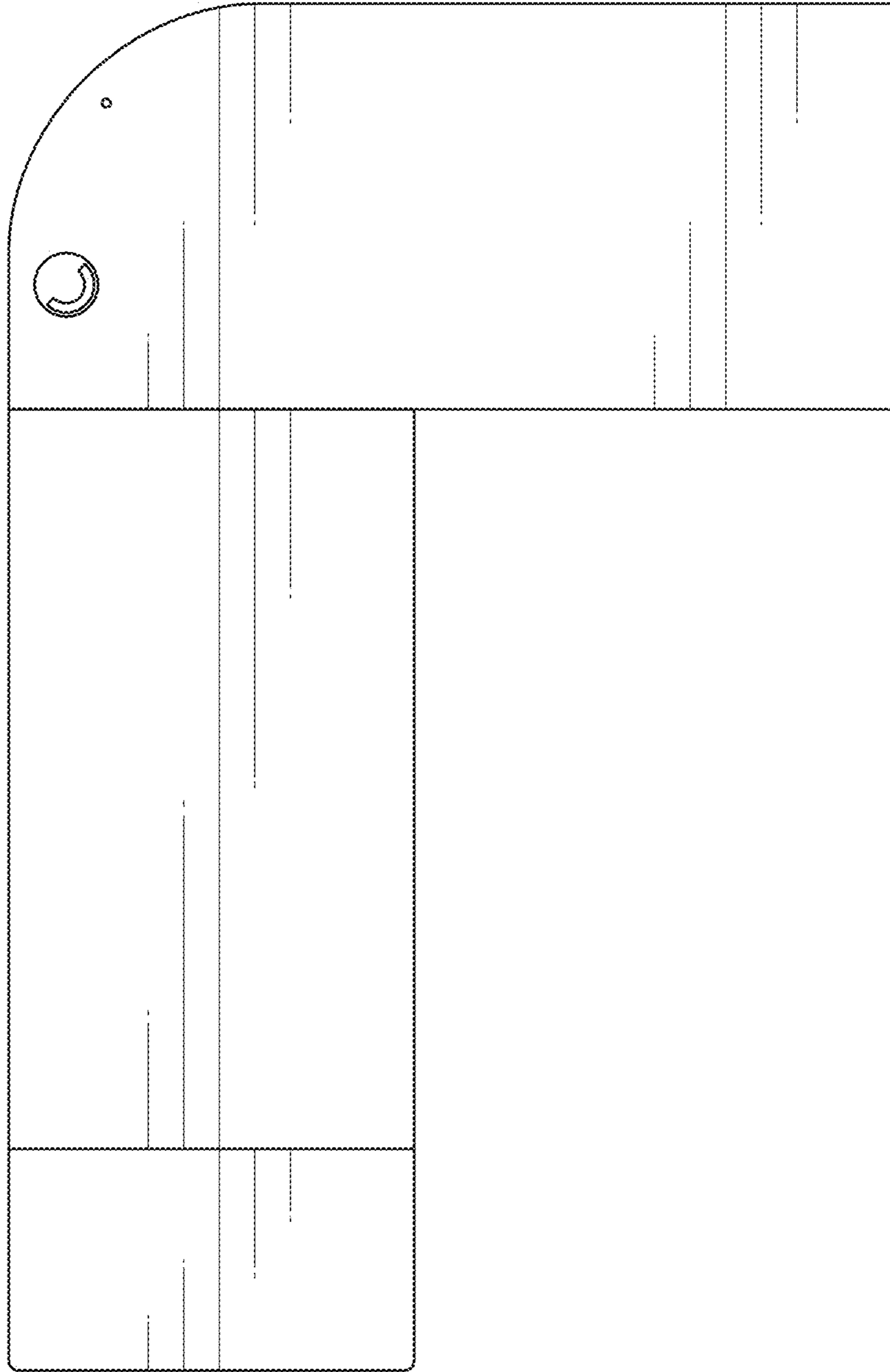


FIG. 7



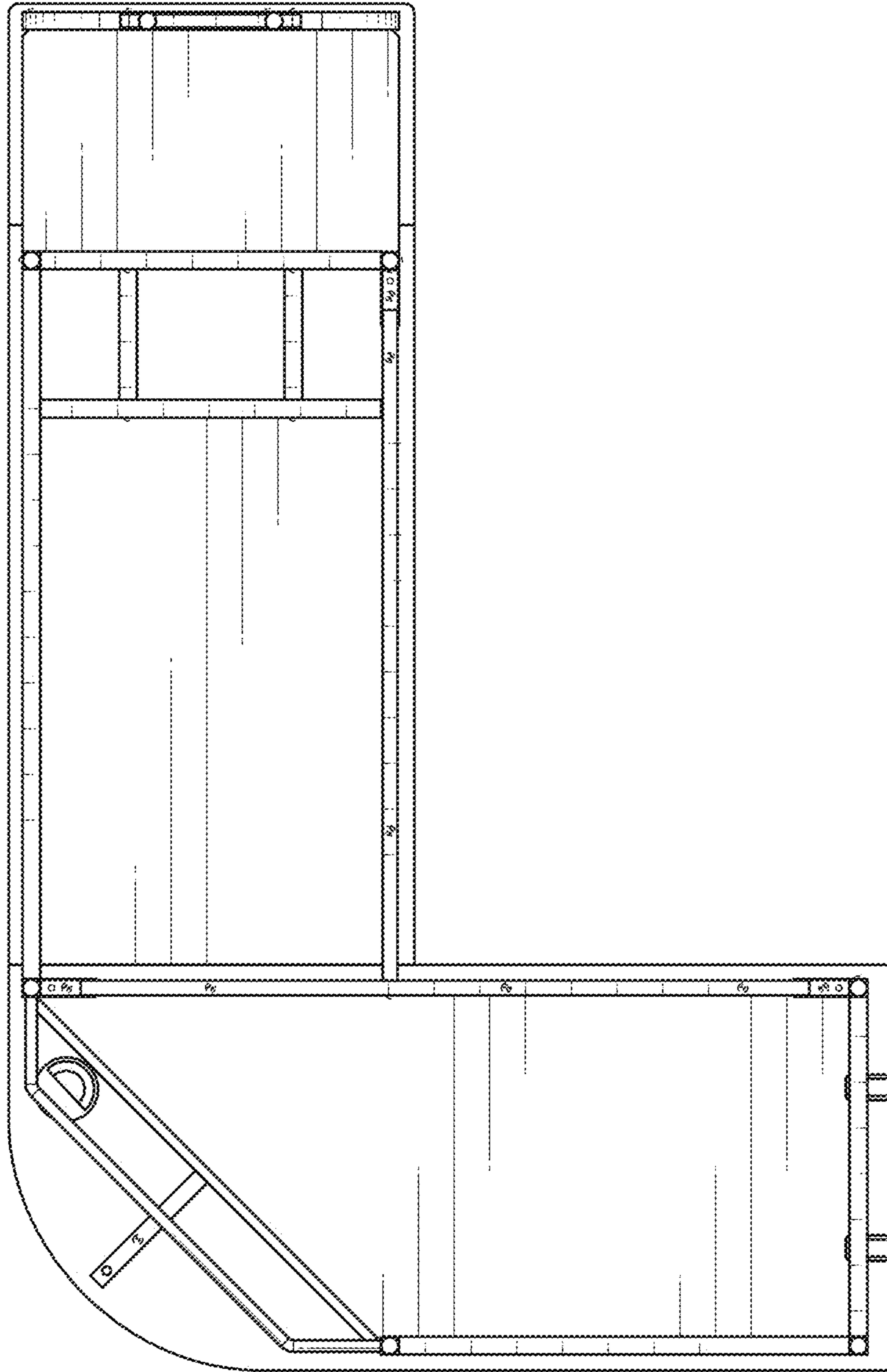


FIG. 8

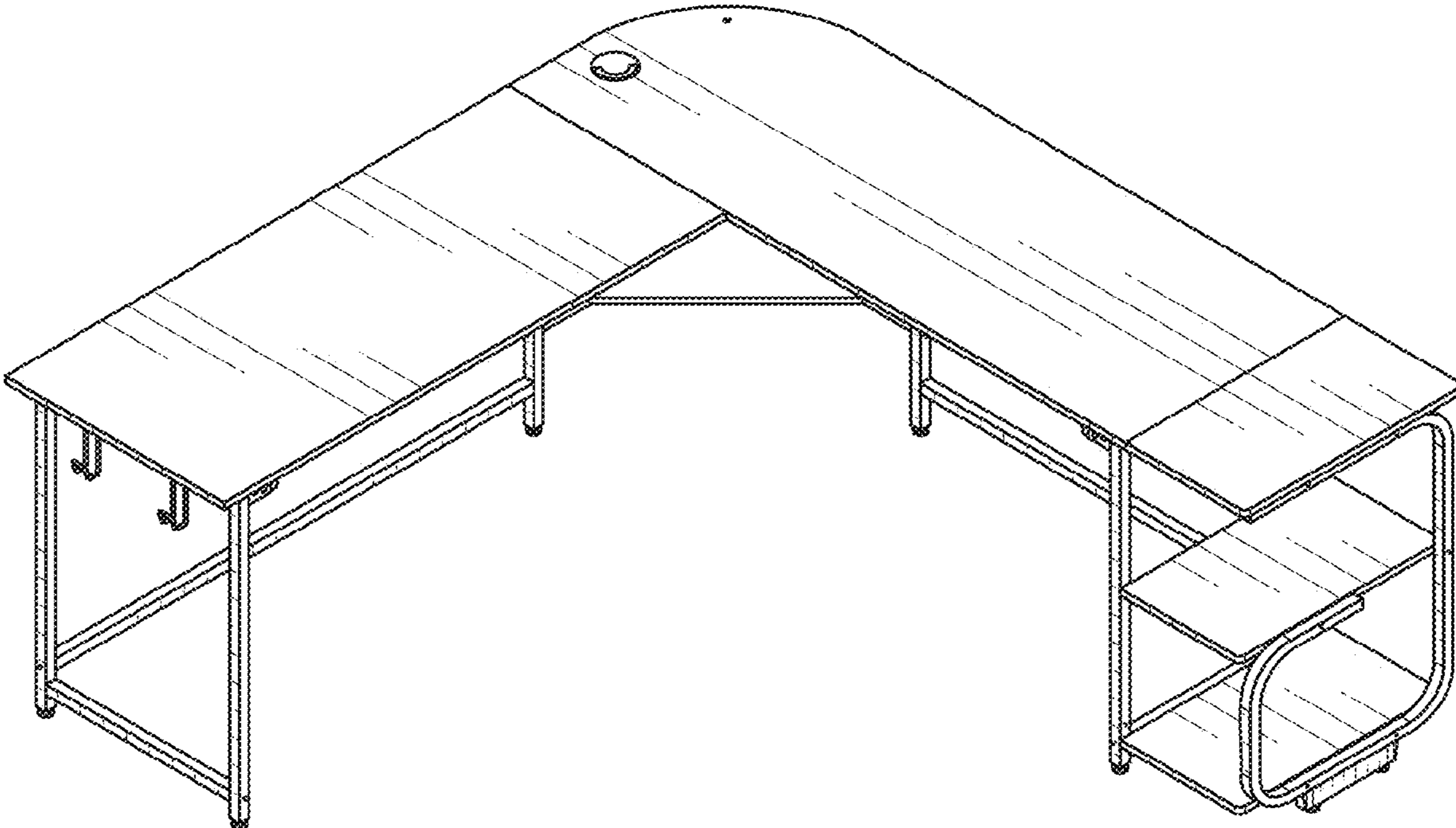


FIG. 9

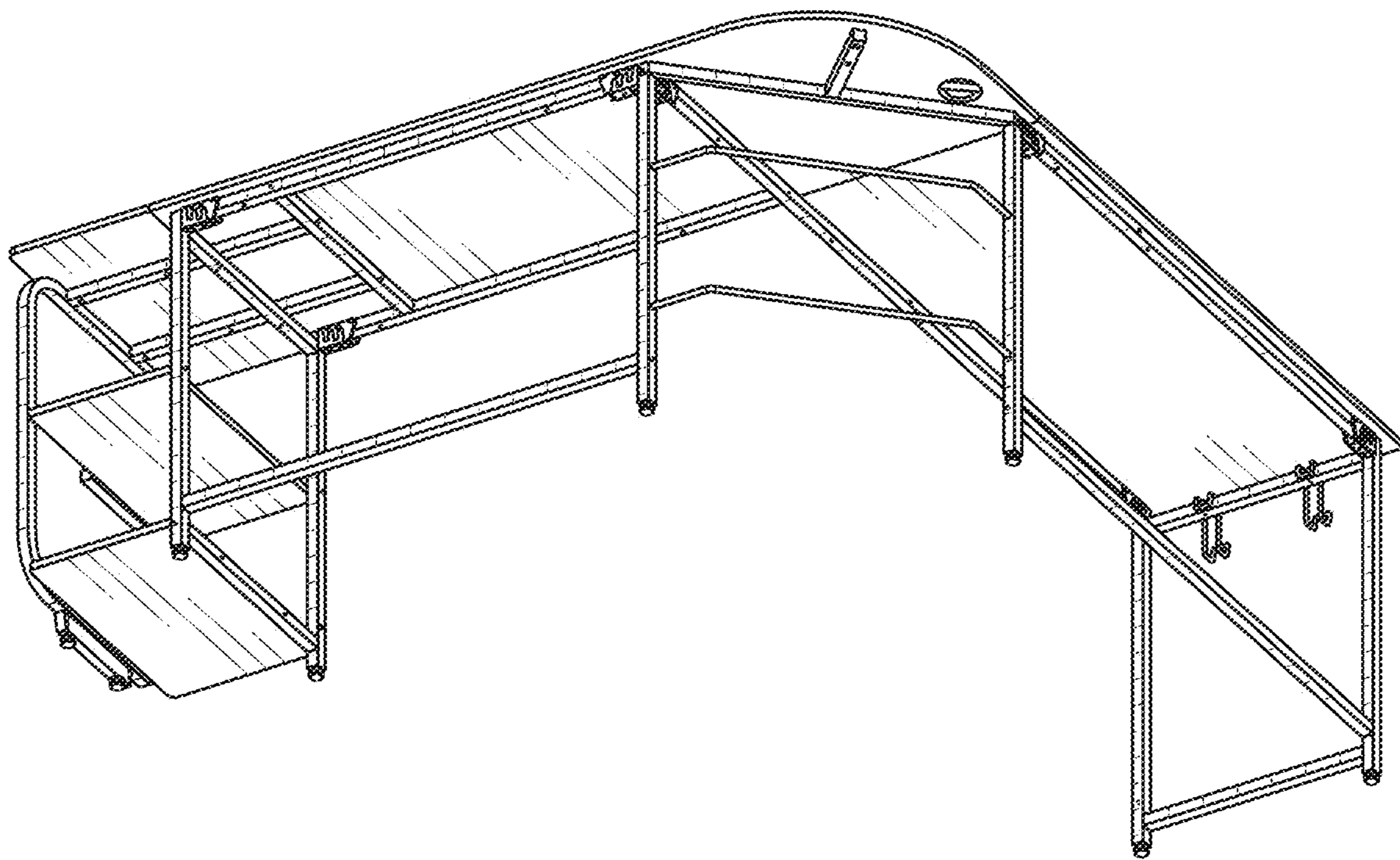


FIG. 10

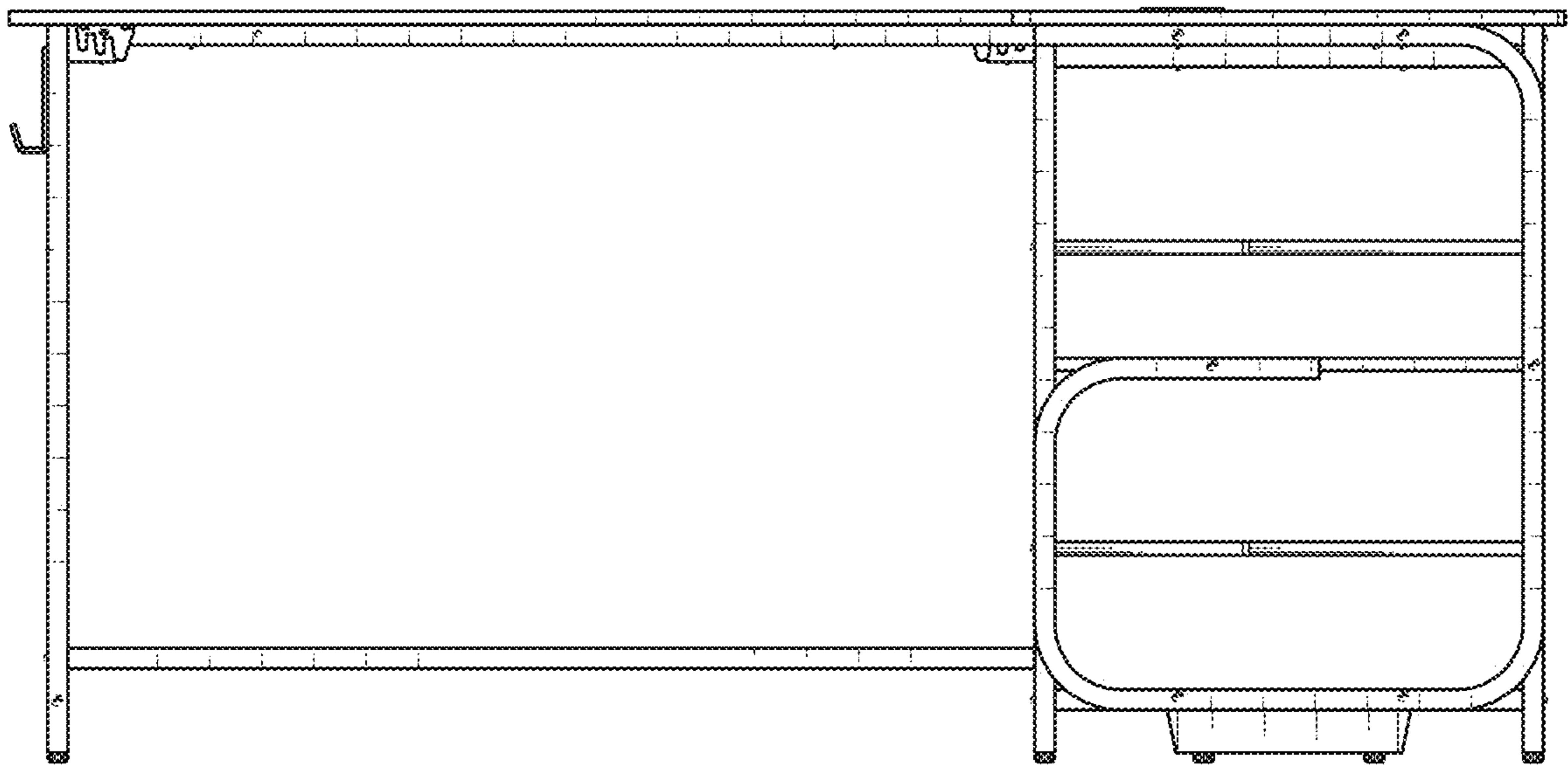


FIG. 11

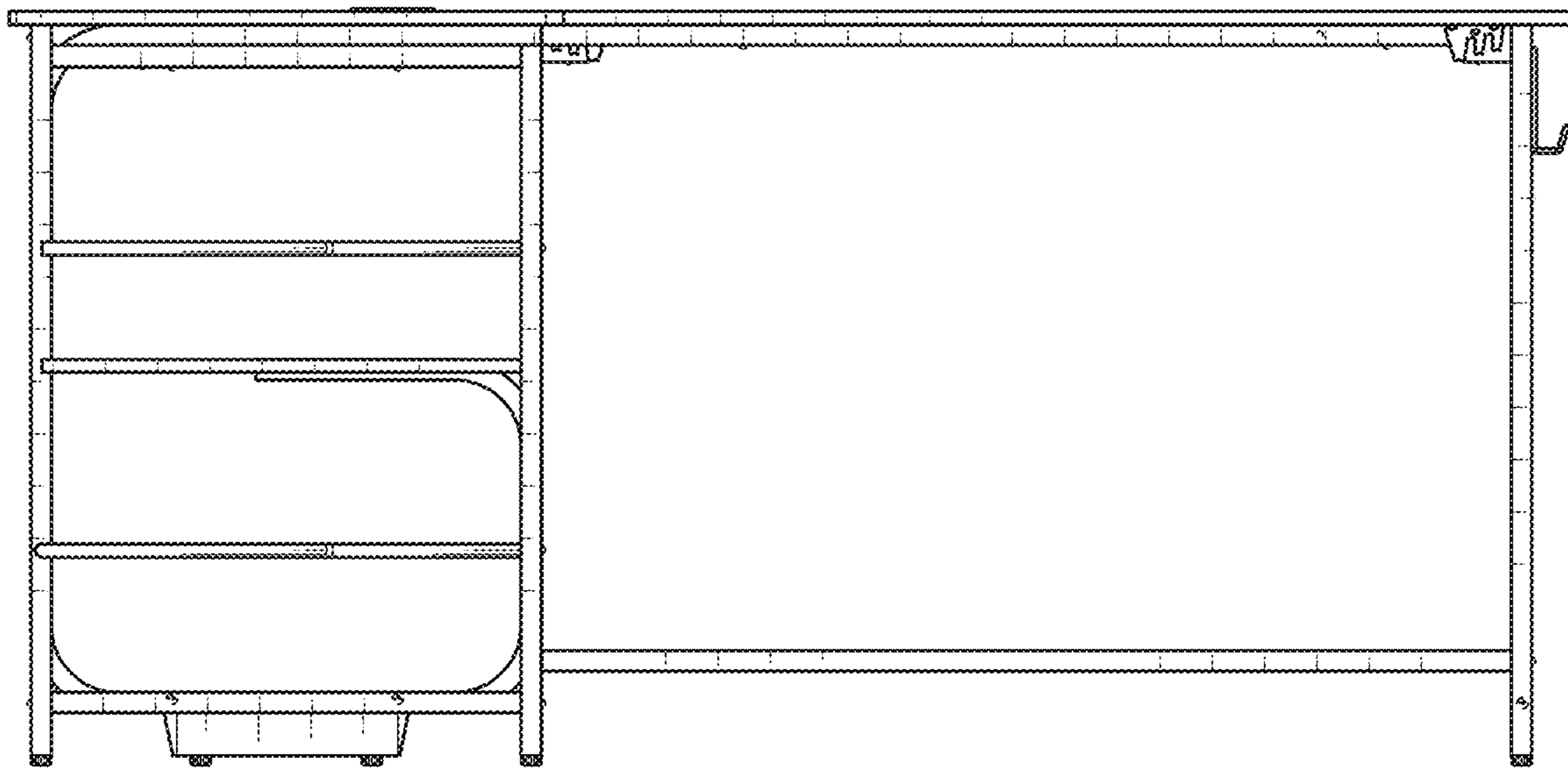


FIG. 12

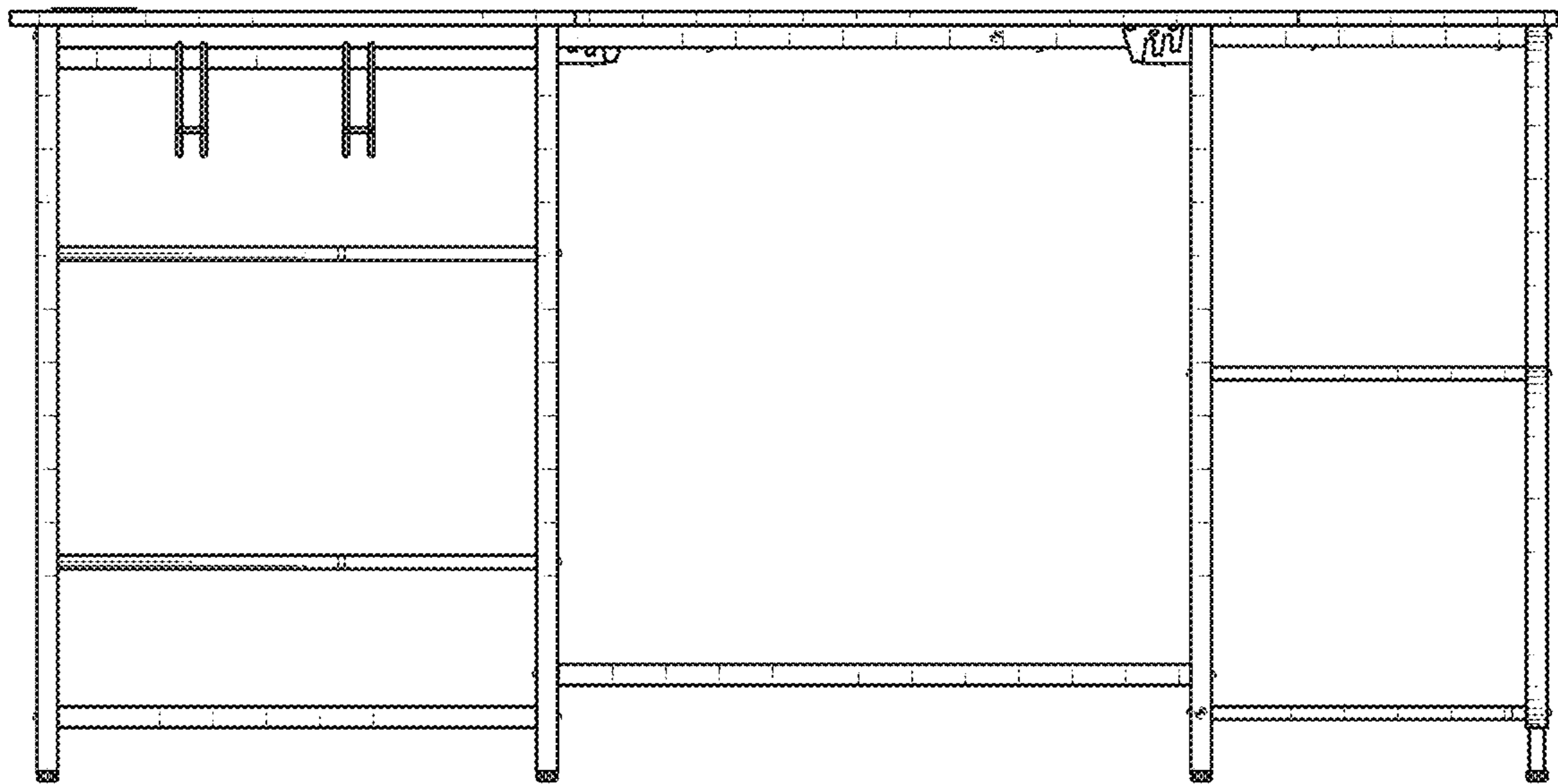


FIG. 13

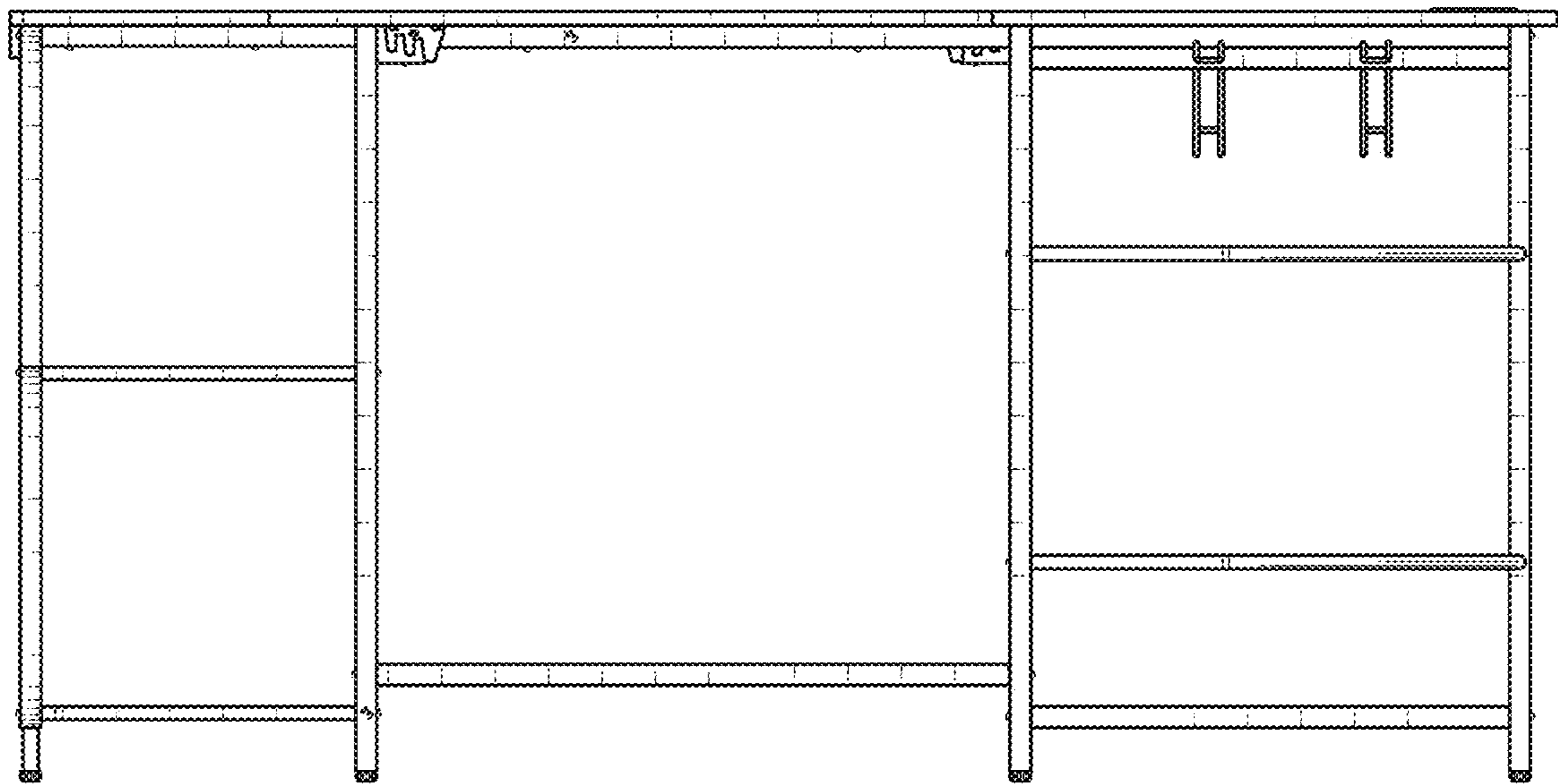


FIG. 14

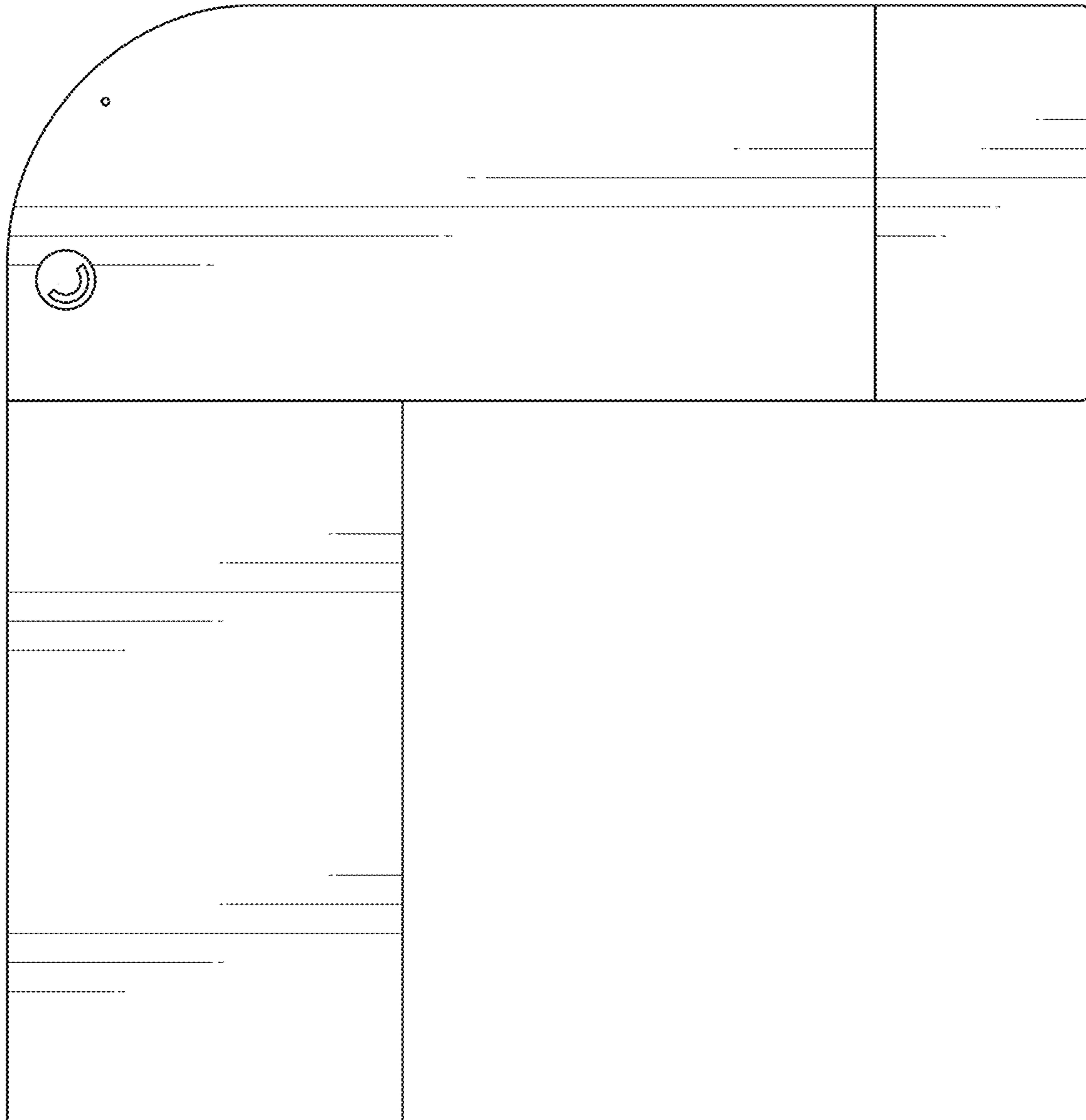


FIG. 15



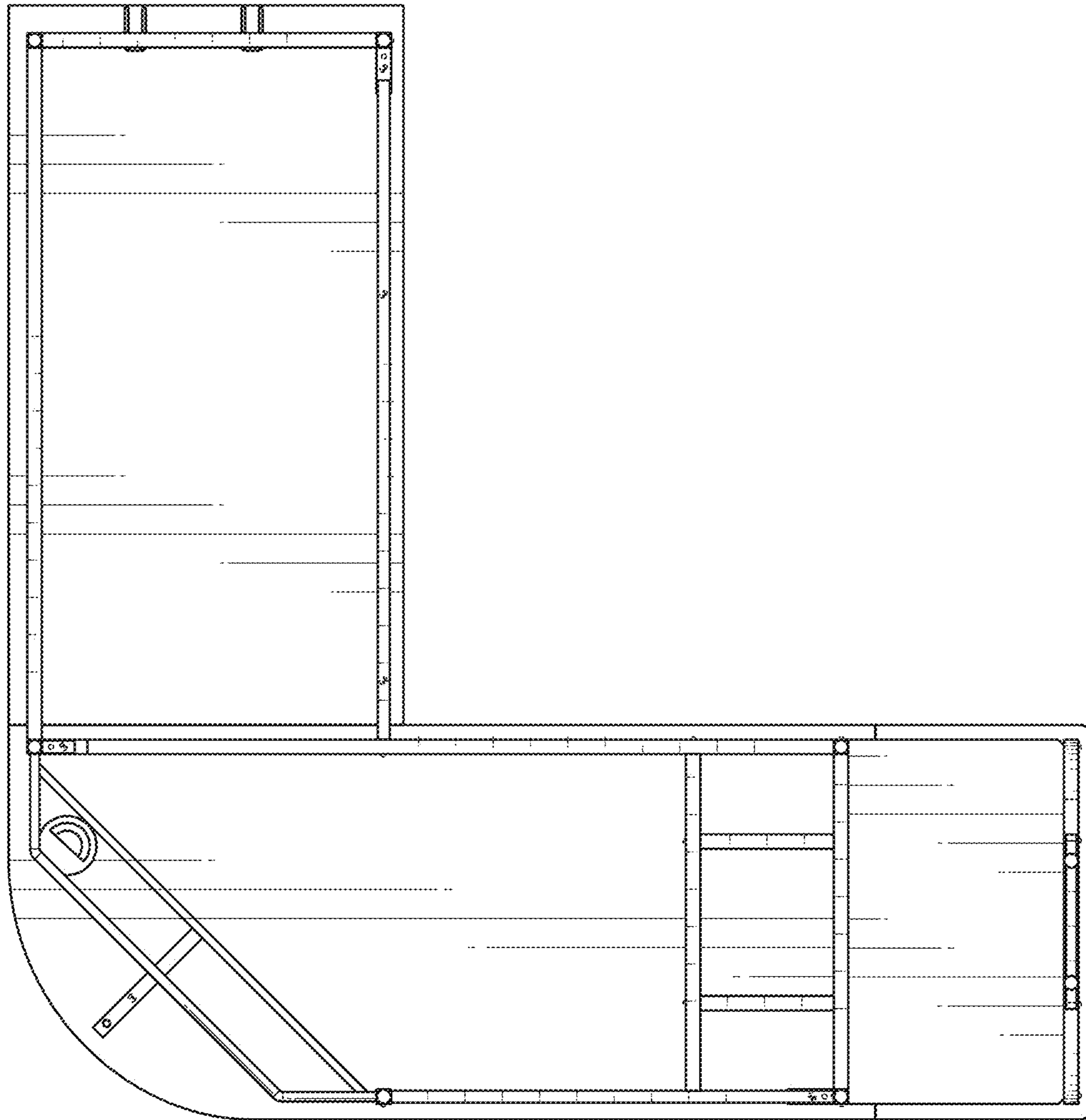


FIG. 16