



US00D977878S

(12) **United States Design Patent**
Deng

(10) **Patent No.:** **US D977,878 S**
(45) **Date of Patent:** **** Feb. 14, 2023**

(54) **SHEET FASTENER**

FOREIGN PATENT DOCUMENTS

(71) Applicant: **Jiemei Deng**, Zhaoqing (CN)

CN 304696964 * 6/2018
JP D1635089 * 7/2019

(72) Inventor: **Jiemei Deng**, Zhaoqing (CN)

(**) Term: **15 Years**

OTHER PUBLICATIONS

(21) Appl. No.: **29/812,365**

Mendeng Bed Sheet Straps, Amazon.com, date reviewed Oct. 30, 2020, date retrieved Sep. 26, 2022—29802791—https://amzn.to/3SwlFxp (Year: 2020).*

(22) Filed: **Oct. 20, 2021**

(Continued)

(51) **LOC (14) Cl.** **06-13**

(52) **U.S. Cl.**
USPC **D6/607**

Primary Examiner — Jennifer L Rempfer
Assistant Examiner — Danielle Nichole Bowly

(58) **Field of Classification Search**
USPC D6/326, 328, 602, 607; D8/394, 395;
D2/943, 944; D21/839
CPC A47C 21/022; A47C 21/02
See application file for complete search history.

(57) **CLAIM**

The ornamental design for a sheet fastener, as shown and described.

(56) **References Cited**

U.S. PATENT DOCUMENTS

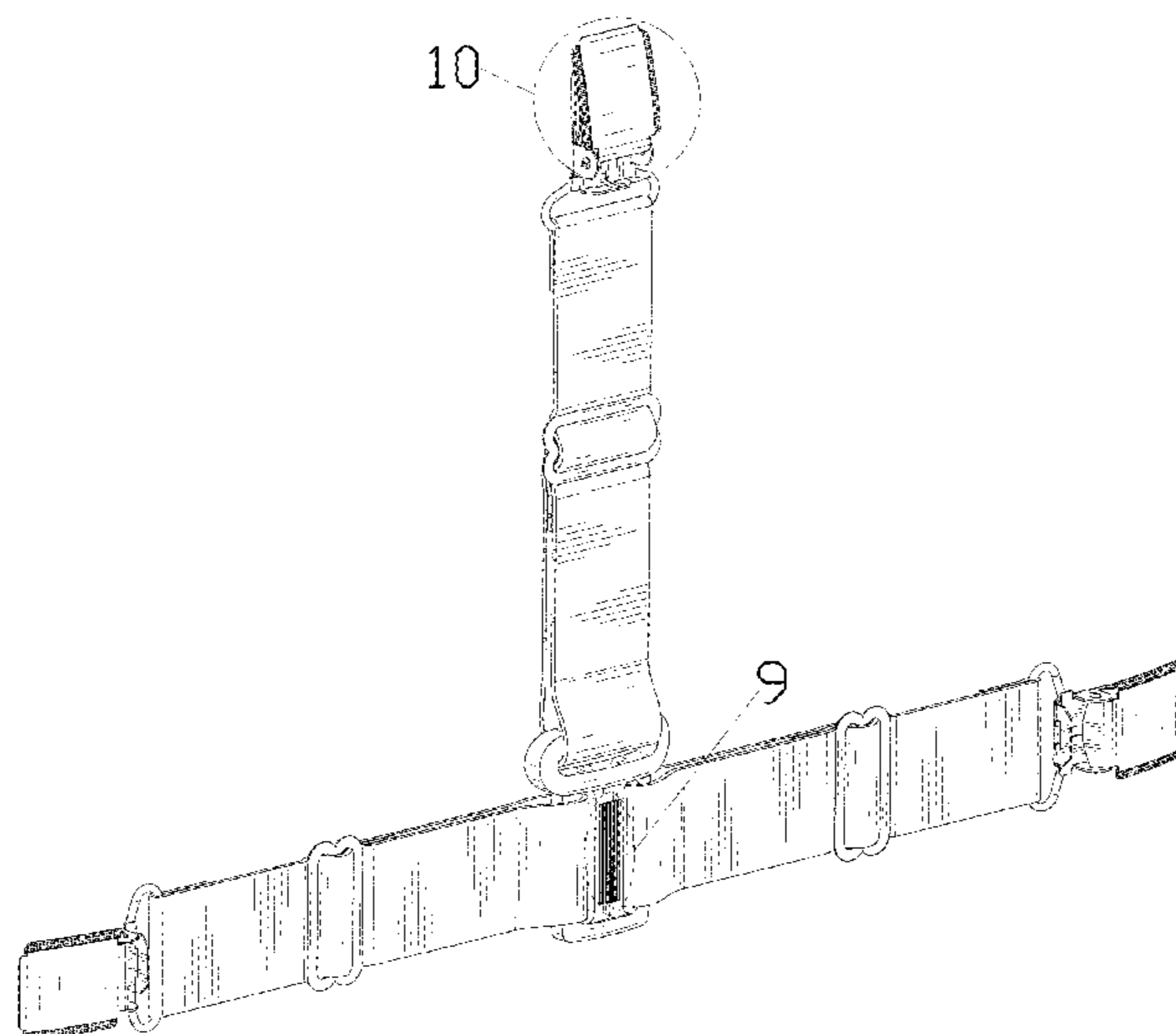
557,456	A *	3/1896	Utter	A47C 21/022	24/72.5
D59,961	S *	12/1921	Humbird	D6/607	
D294,910	S *	3/1988	Garding	D6/607	
4,891,856	A *	1/1990	Thornhill	A47G 9/04	5/498
5,148,560	A *	9/1992	Torres	A47C 21/022	24/72.5
D386,929	S *	12/1997	Jaeger	D6/607	
D387,602	S *	12/1997	Cerdan	D6/607	
D448,230	S *	9/2001	Gillin	D6/607	
D463,325	S *	9/2002	Savoia	D11/200	
D481,579	S *	11/2003	Colbert	D6/607	
D761,042	S *	7/2016	Whaley	D6/607	
D769,030	S	10/2016	Acres			
9,468,308	B2 *	10/2016	Funger	A47C 31/11	
D799,859	S *	10/2017	Whaley	D6/607	
D883,079	S *	5/2020	Kou	D8/394	
D946,312	S *	3/2022	Li	D6/607	
2002/0062522	A1 *	5/2002	Deckert	A47D 15/02	5/504.1

DESCRIPTION

FIG. 1 is a perspective view of a sheet fastener showing my new design;
FIG. 2 is another perspective view thereof;
FIG. 3 is a front elevational view thereof;
FIG. 4 is a rear elevational view thereof;
FIG. 5 is a left side elevational view thereof;
FIG. 6 is a right side elevational view thereof;
FIG. 7 is a top plan view thereof;
FIG. 8 is a bottom plan view thereof;
FIG. 9 is an enlarged view of portion 9 shown in FIG. 1; and,
FIG. 10 is an enlarged view of portion 10 shown in FIG. 1.
The dash-dash broken lines in the drawings depict portions of the sheet fastener that form no part of the claimed design.
The dot-dash broken lines represent boundaries of the enlarged portions and form no part of the claimed design.

(Continued)

1 Claim, 10 Drawing Sheets



(56)

References Cited

U.S. PATENT DOCUMENTS

2006/0211336 A1* 9/2006 Brigham A61M 1/804
450/86
2010/0325842 A1* 12/2010 Rivera G09F 21/02
24/3.4
2012/0005867 A1* 1/2012 Whaley A47C 21/022
24/302

OTHER PUBLICATIONS

Stars Bed Sheet Straps Set, Amazon.com, date published Aug. 25, 2020, date retrieved Sep. 26, 2022—29802791—<https://amzn.to/3EcyiLp> (Year: 2020).*

* cited by examiner

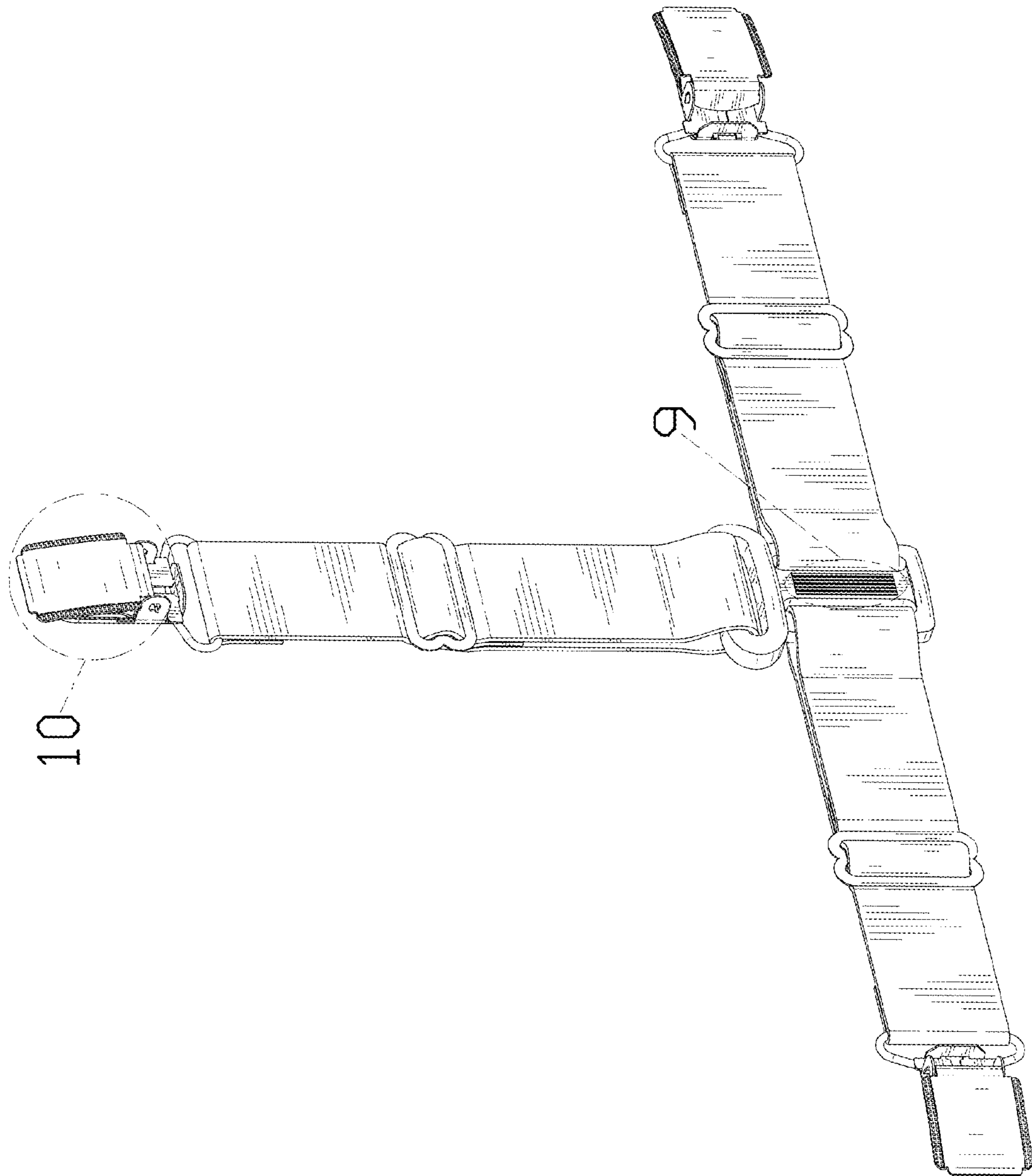


FIG. 1

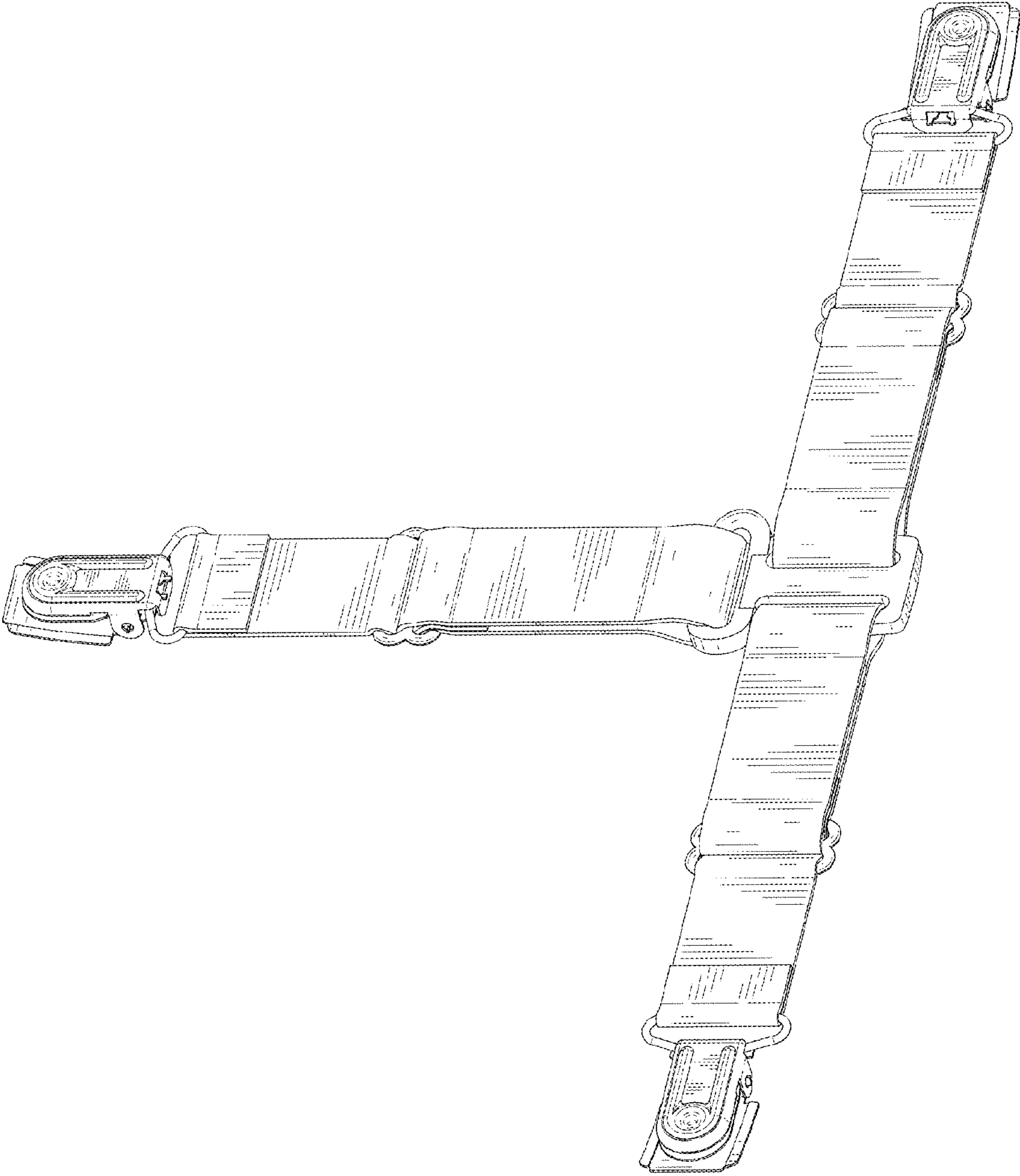


FIG. 2

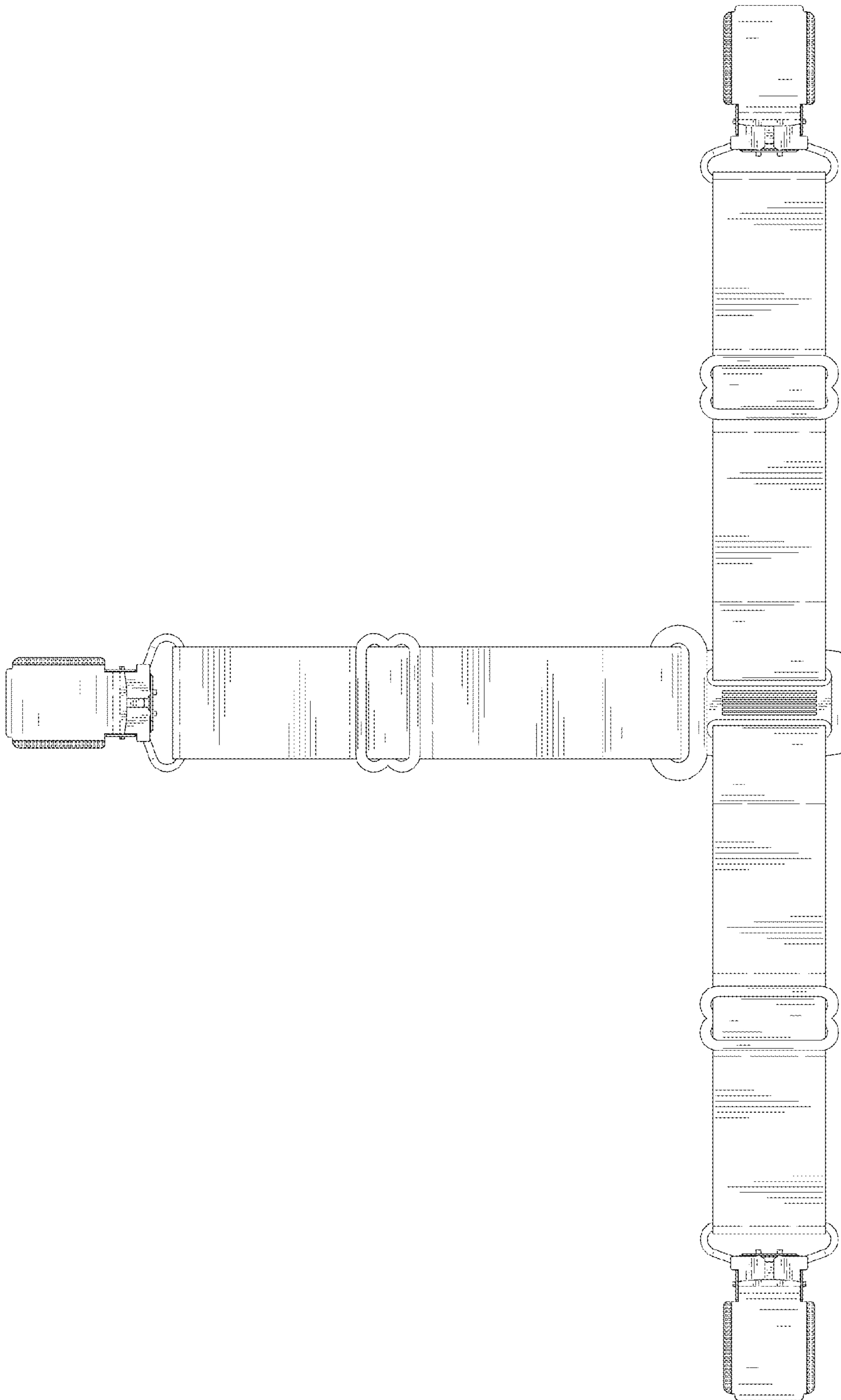


FIG. 3

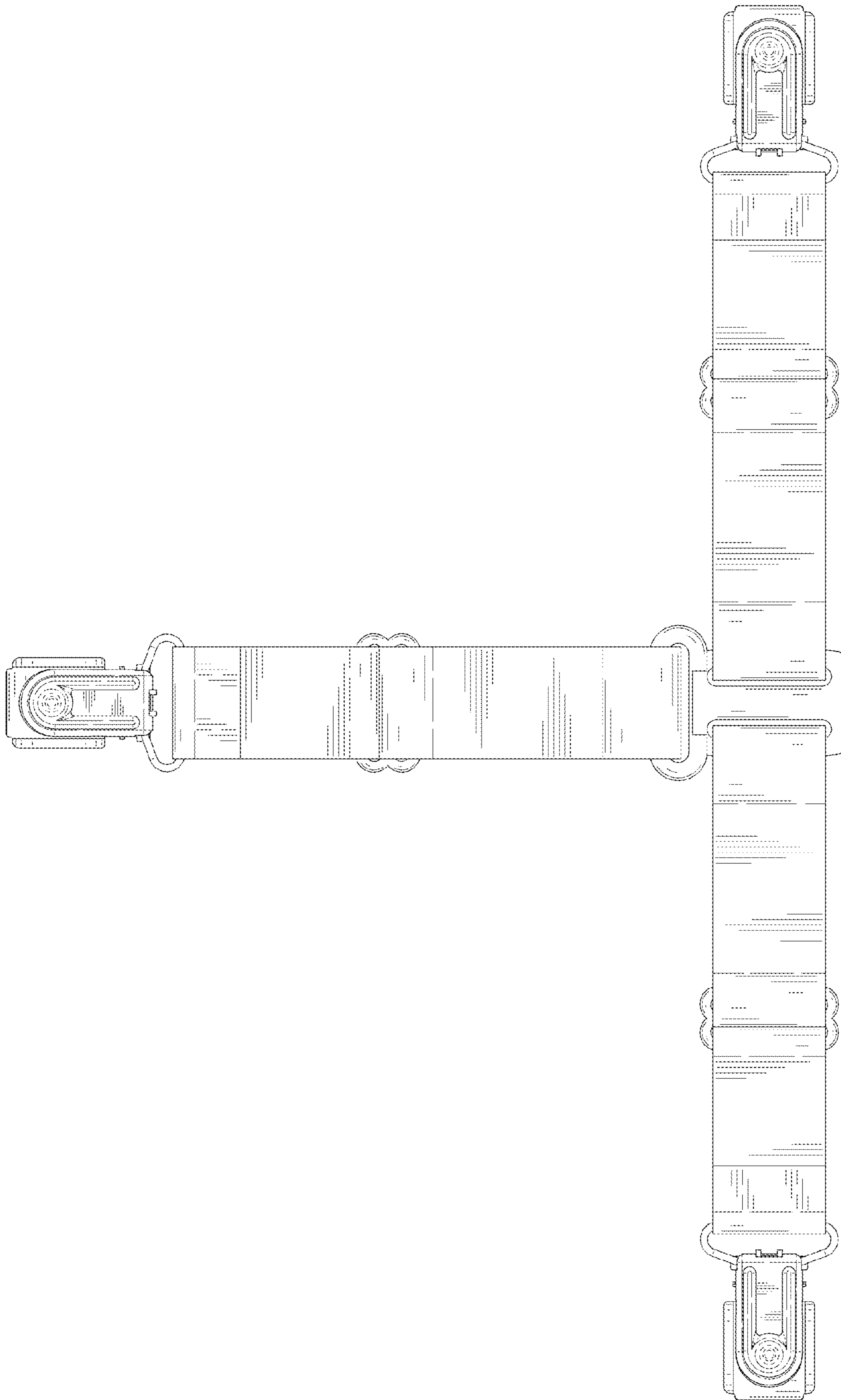


FIG. 4

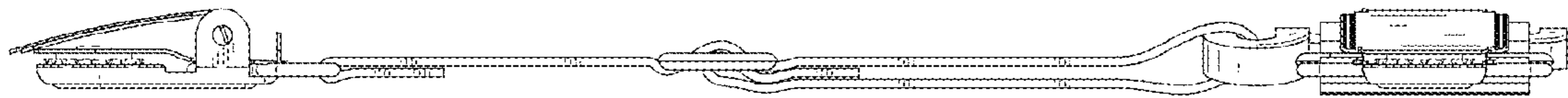


FIG. 5

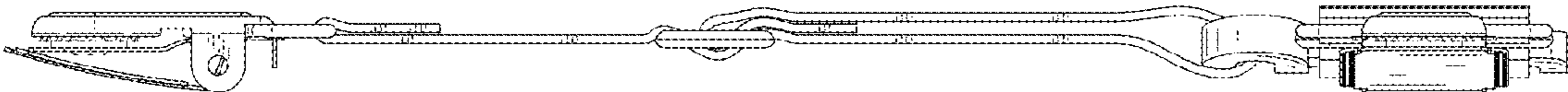


FIG. 6

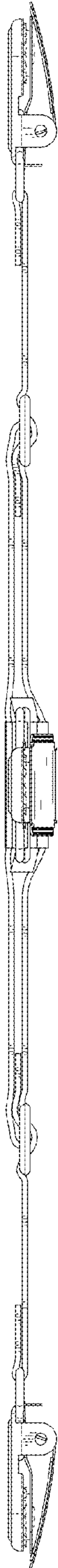


FIG. 7

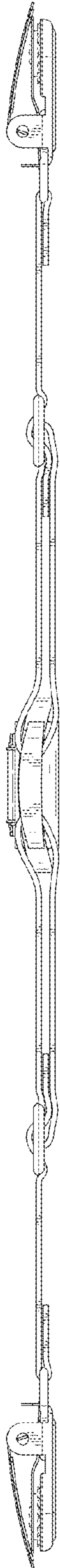


FIG. 8

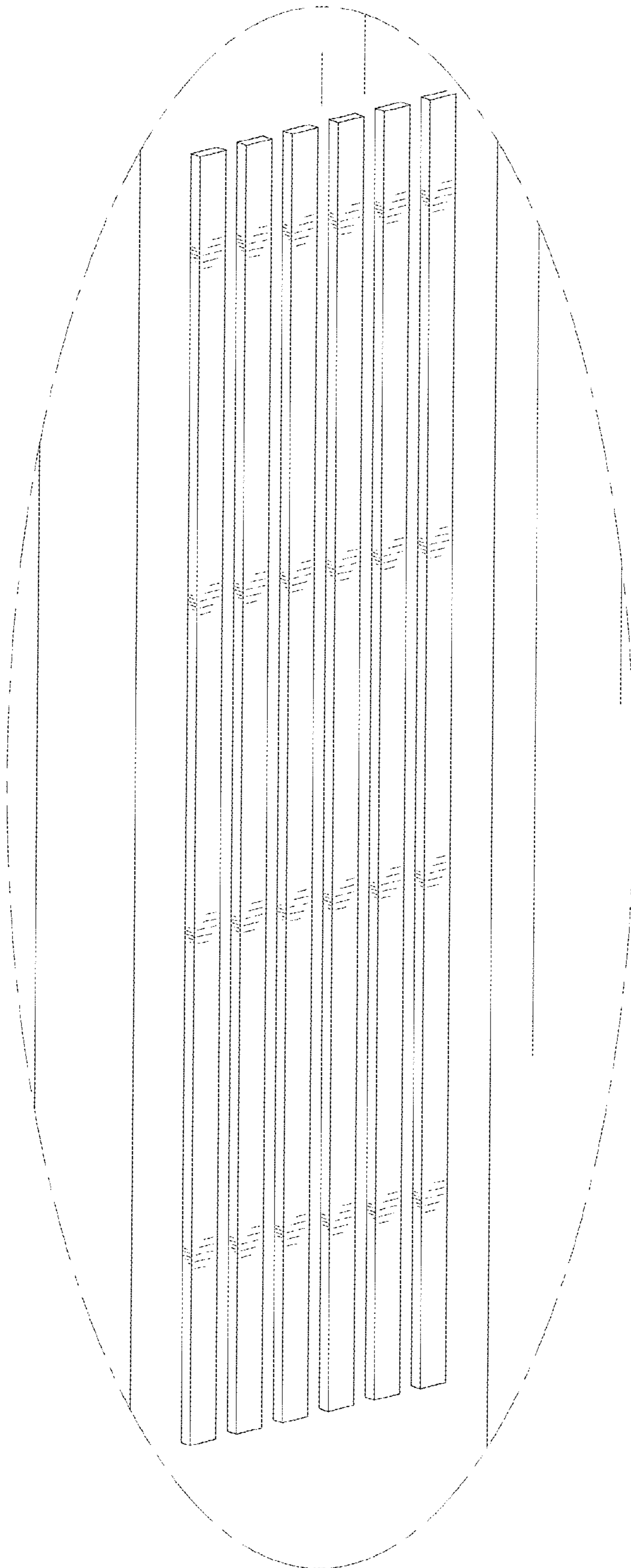


FIG. 9

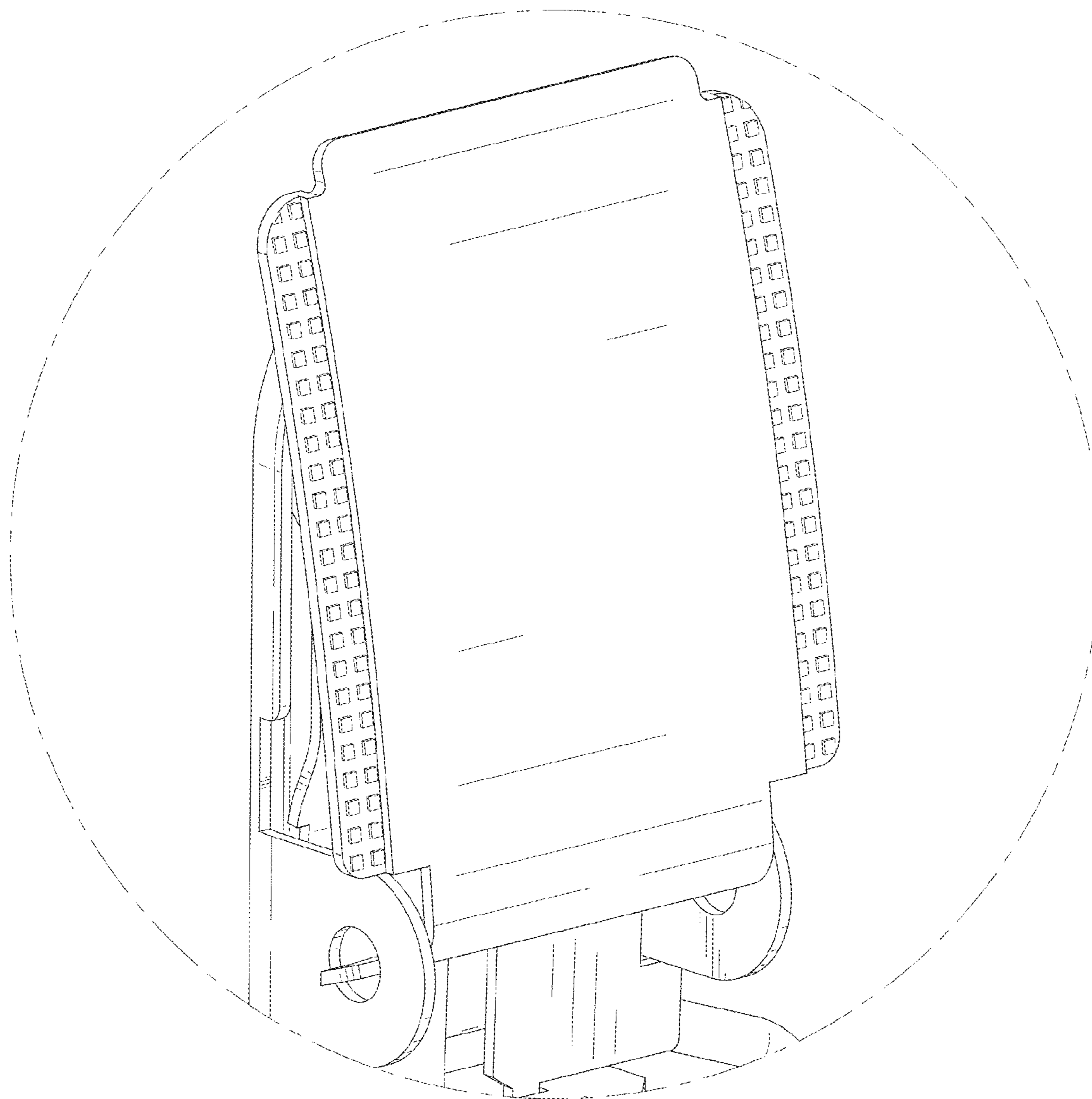


FIG. 10