



US00D977872S

(12) **United States Design Patent** (10) **Patent No.:** **US D977,872 S**
Fried (45) **Date of Patent:** **** Feb. 14, 2023**

(54) **PORTABLE AND ADJUSTABLE
LEG-SUPPORTING SEAT CUSHION**

(71) Applicant: **Brian Fried**, Melville, NY (US)

(72) Inventor: **Brian Fried**, Melville, NY (US)

(**) Term: **15 Years**

(21) Appl. No.: **29/750,111**

(22) Filed: **Sep. 11, 2020**

(51) **LOC (14) Cl.** **06-13**

(52) **U.S. Cl.**
USPC **D6/601; D6/367**

(58) **Field of Classification Search**
USPC D6/334, 353, 356, 367, 601; D22/199
CPC A47G 9/1009; A61F 5/01; A61G 5/1043;
A61G 5/1045; A61G 5/1091
See application file for complete search history.

(56) **References Cited**

U.S. PATENT DOCUMENTS

D99,556 S *	5/1936	Smith	297/411.42
D312,741 S *	12/1990	Treadwell	D6/601
D366,383 S *	1/1996	Briegleb	D6/601
D366,800 S *	2/1996	Moore, Jr.	D6/601
D377,574 S *	1/1997	Mades	D6/601
D411,065 S *	6/1999	Davis	D6/333
D557,965 S *	12/2007	Rybinski	D6/601
D591,097 S *	4/2009	DeLong	D6/601
D605,452 S *	12/2009	Chan	D6/601
D608,550 S *	1/2010	Sollberger	D6/335
D898,919 S *	10/2020	Helmick	D6/601
D955,130 S *	6/2022	Wang	D6/368
2012/0061180 A1 *	3/2012	Phillips	A01M 31/02 182/129

OTHER PUBLICATIONS

Mugita Floor Chair, Amazon Product Page. Date First Available: Dec. 29, 2021, Date Accessed: Oct. 18, 2022. Accessed on the Internet URL: <https://www.amazon.co.jp/dp/B098QK4154/> (Year: 2021).*

* cited by examiner

Primary Examiner — S. Bryan Reinholdt, Jr.

Assistant Examiner — Julia S Folkart

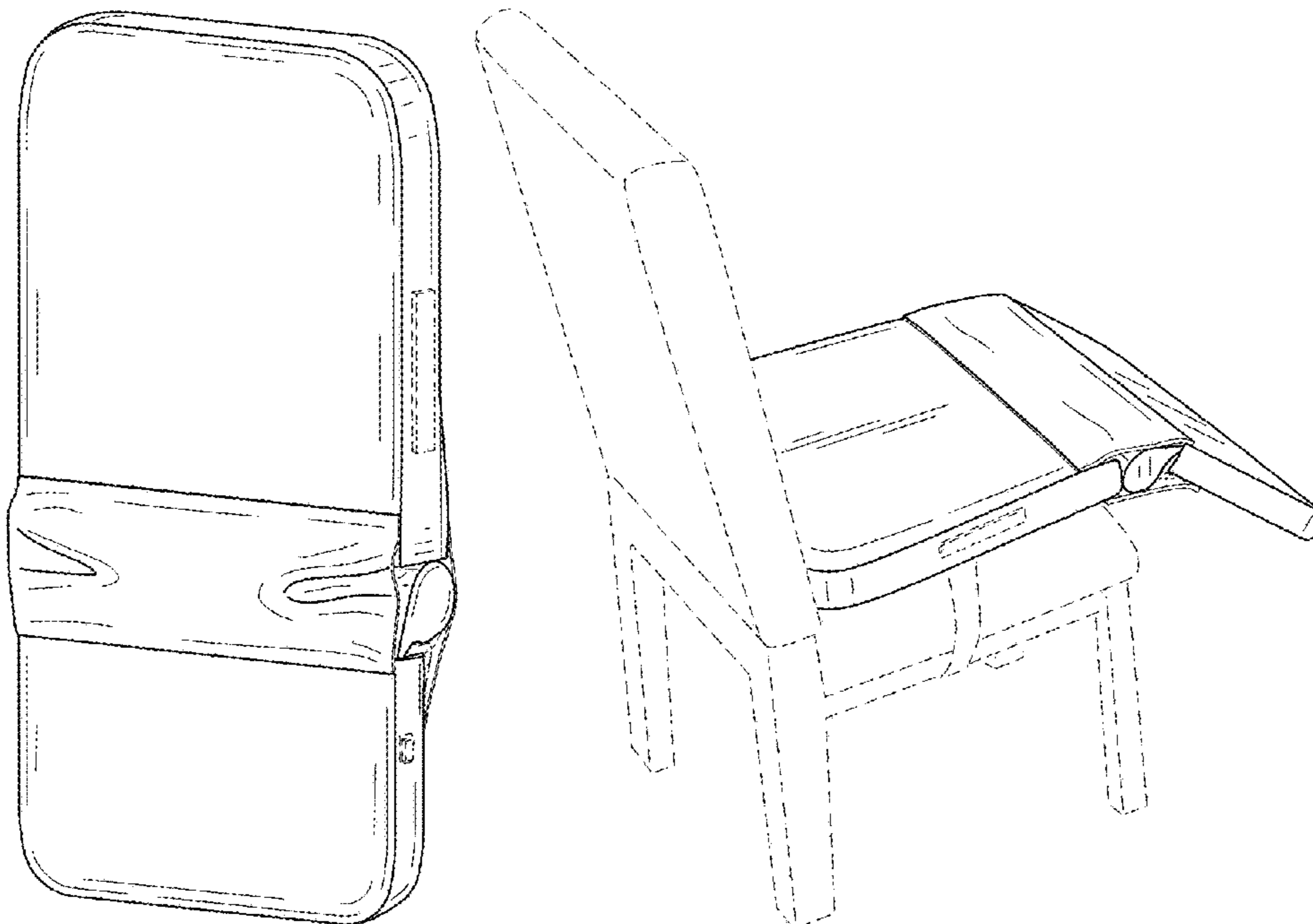
(57) **CLAIM**

The ornamental design for a portable and adjustable leg-supporting seat cushion, as shown and described.

DESCRIPTION

FIG. 1 is a perspective view of a portable and adjustable leg-supporting seat cushion showing my new design; FIG. 2 is a top plan view thereof; FIG. 3 is a bottom plan view thereof; FIG. 4 is a right-side elevational view thereof; FIG. 5 is a left-side elevational view thereof; FIG. 6 is a front elevational view thereof; FIG. 7 is a rear elevational view thereof; FIG. 8 is another perspective view thereof in a use configuration with environment; FIG. 9 is another perspective view thereof in a use configuration with environment; and, FIG. 10 is another perspective view thereof in a use configuration with environment. The broken lines used in FIGS. 1-10 depict portions of the portable and adjustable leg-supporting seat cushion that form no part of the claimed design. The broken lines used in FIGS. 8-10 depict environment of a fastening strap, user, and chair that form no part of the claimed design.

1 Claim, 7 Drawing Sheets



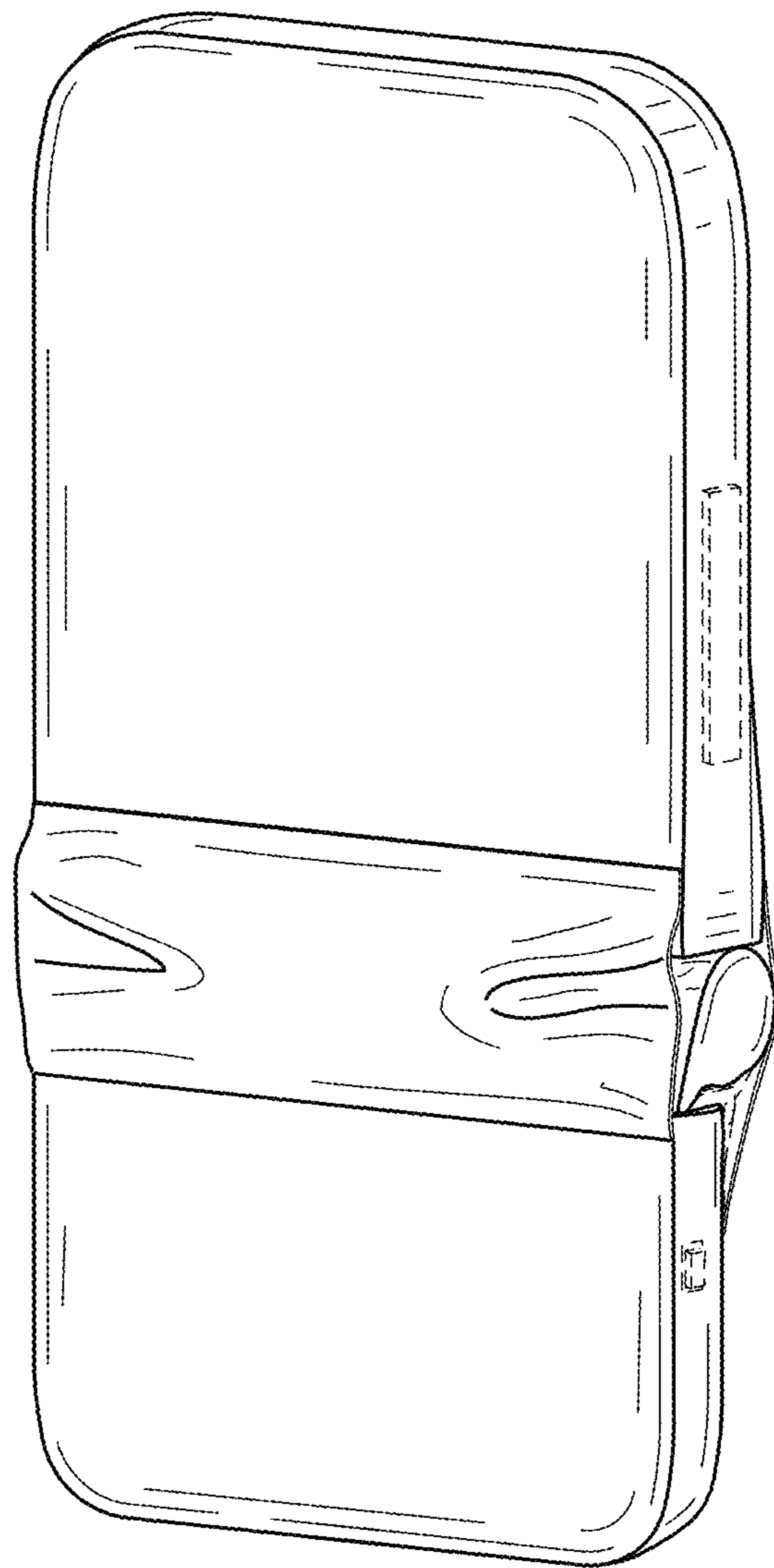


FIG. 1

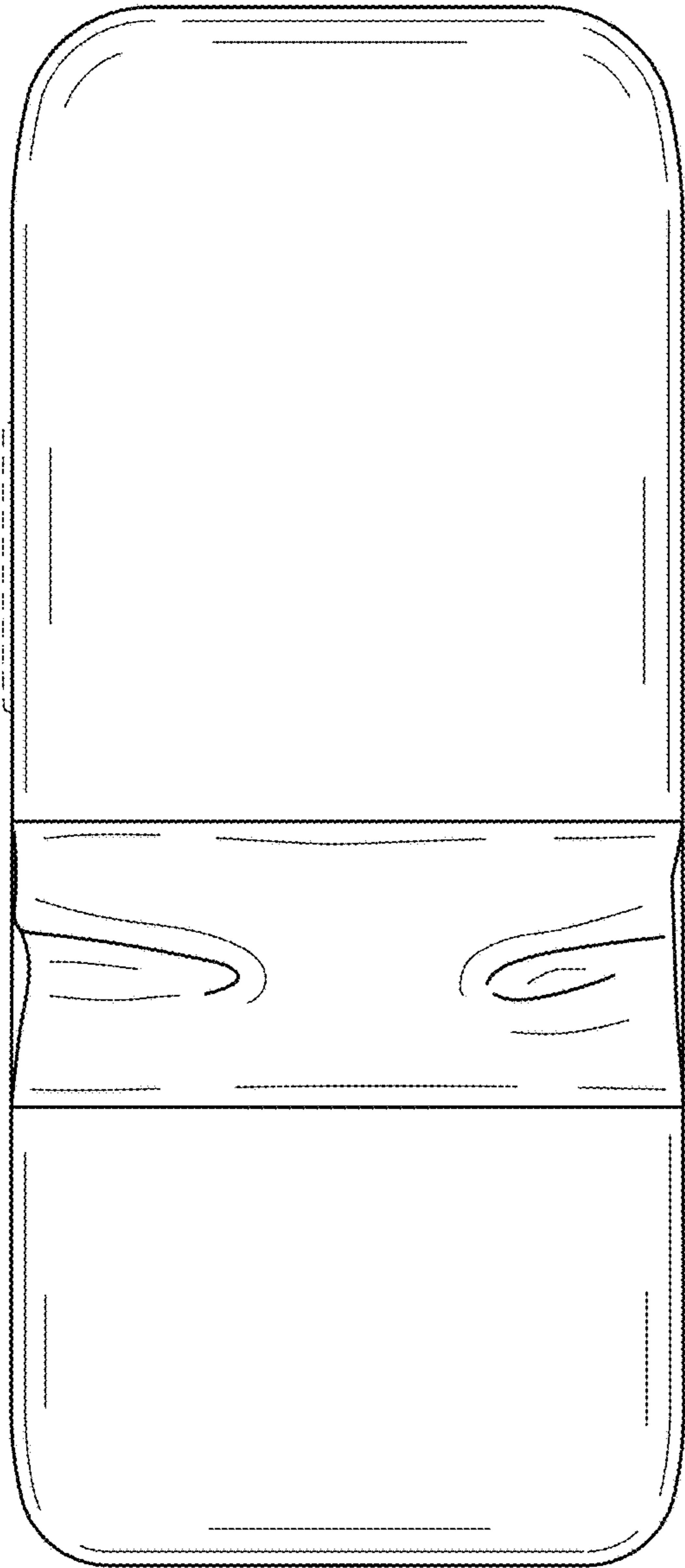


FIG. 2

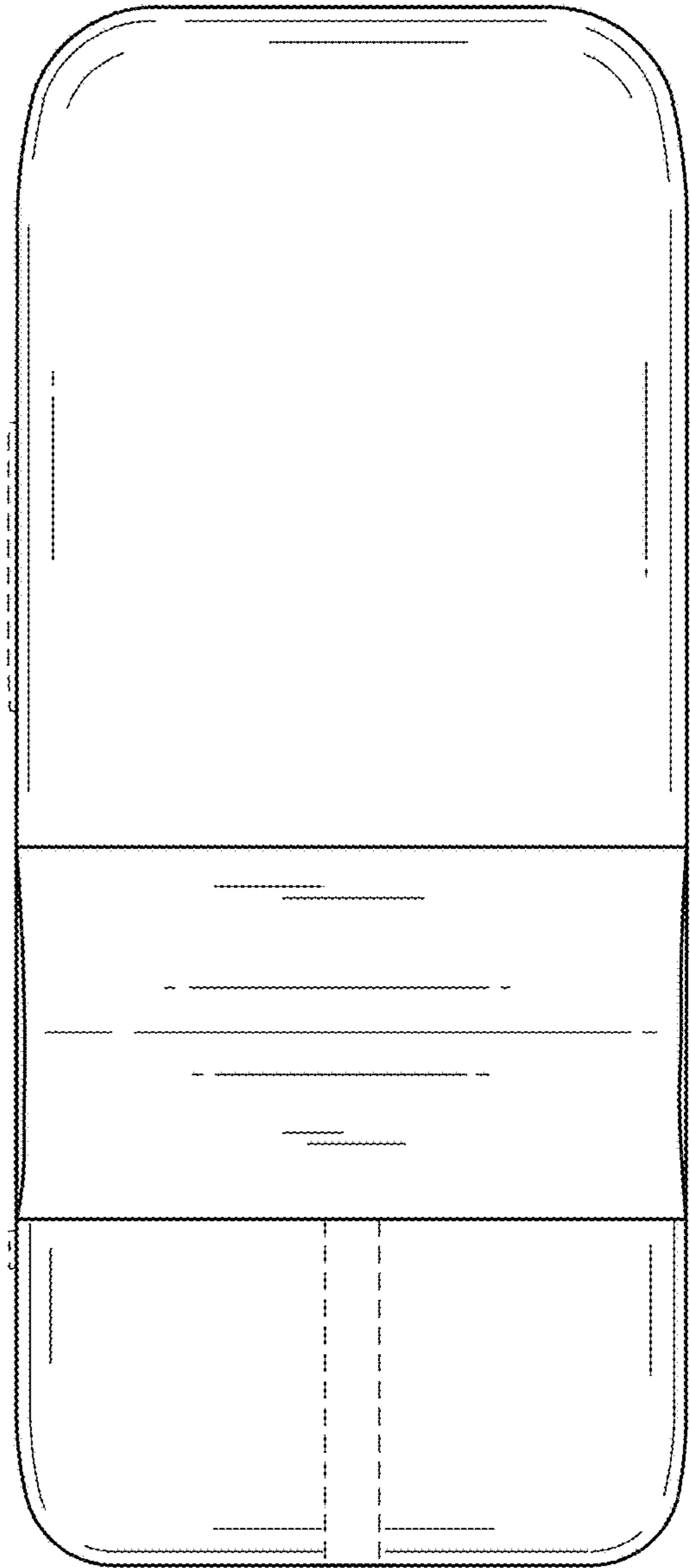


FIG. 3

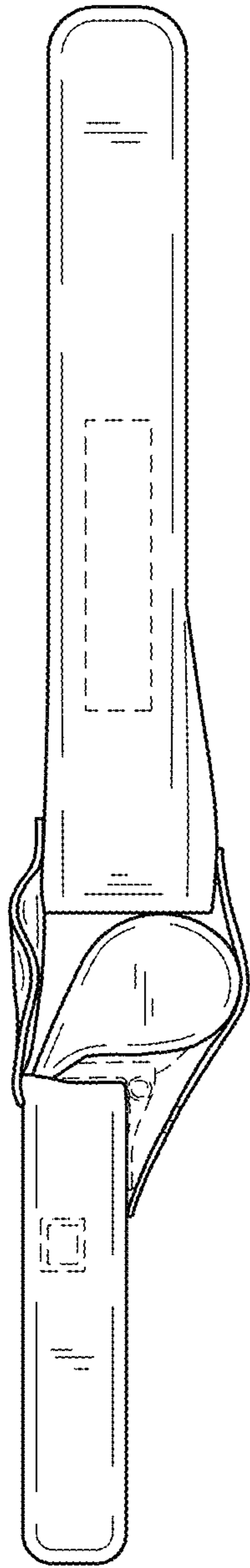


FIG. 4

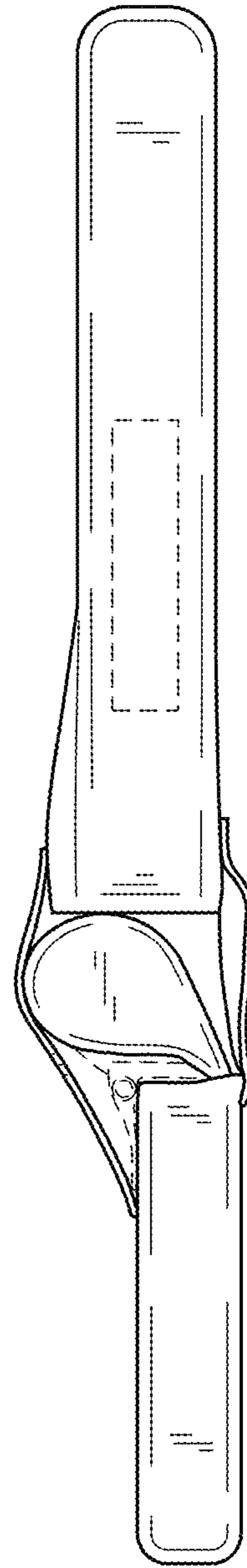


FIG. 5

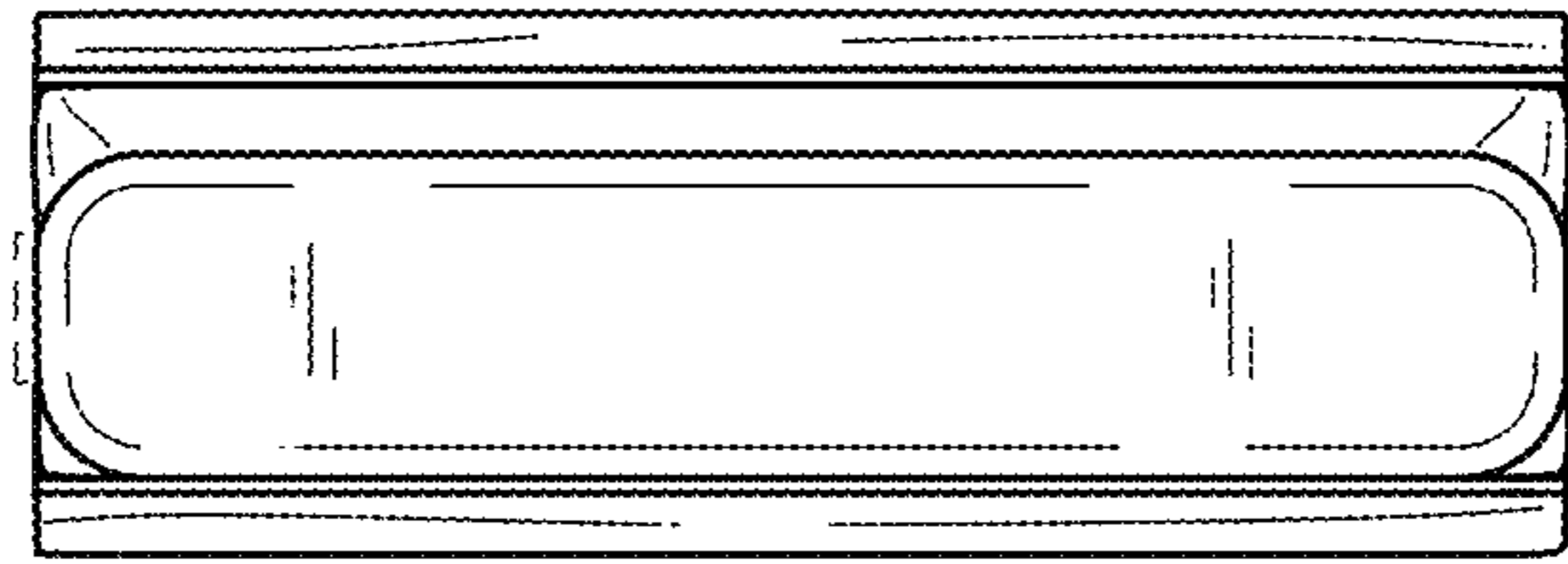


FIG. 6

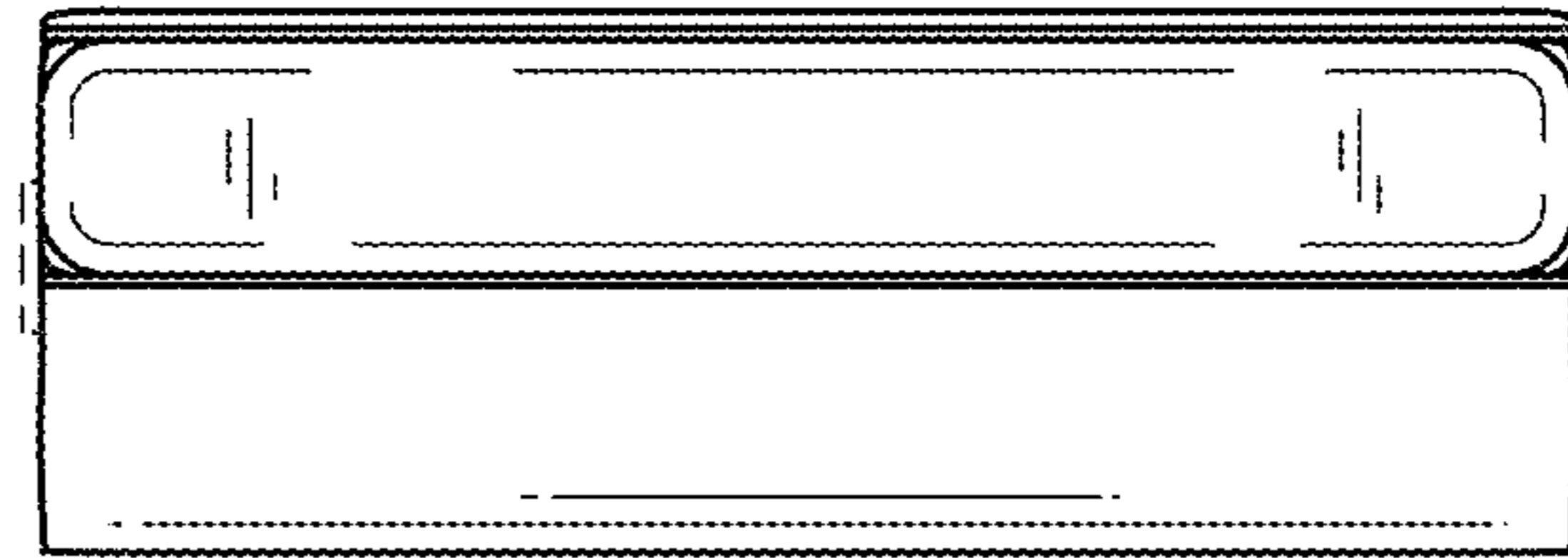


FIG. 7

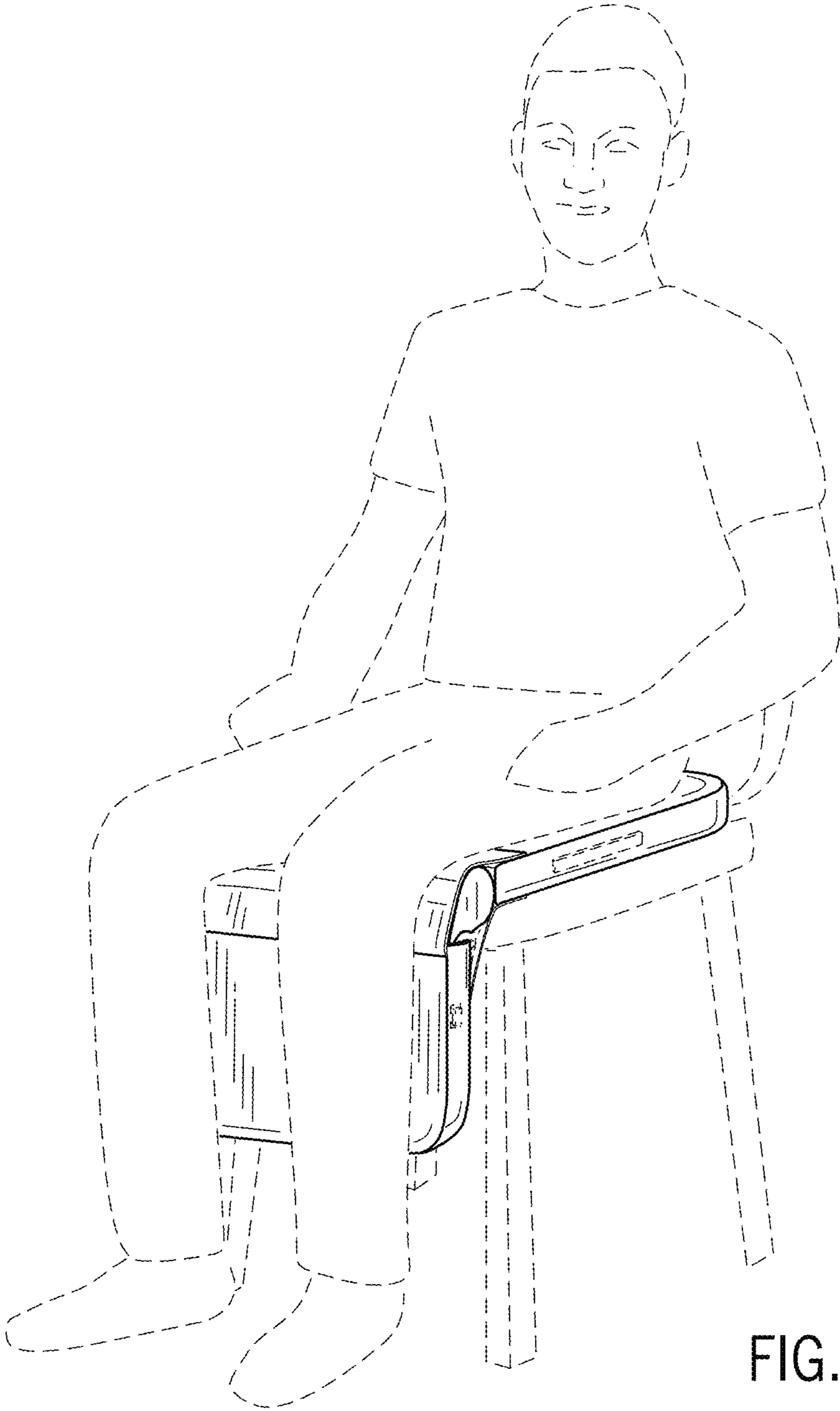


FIG. 8

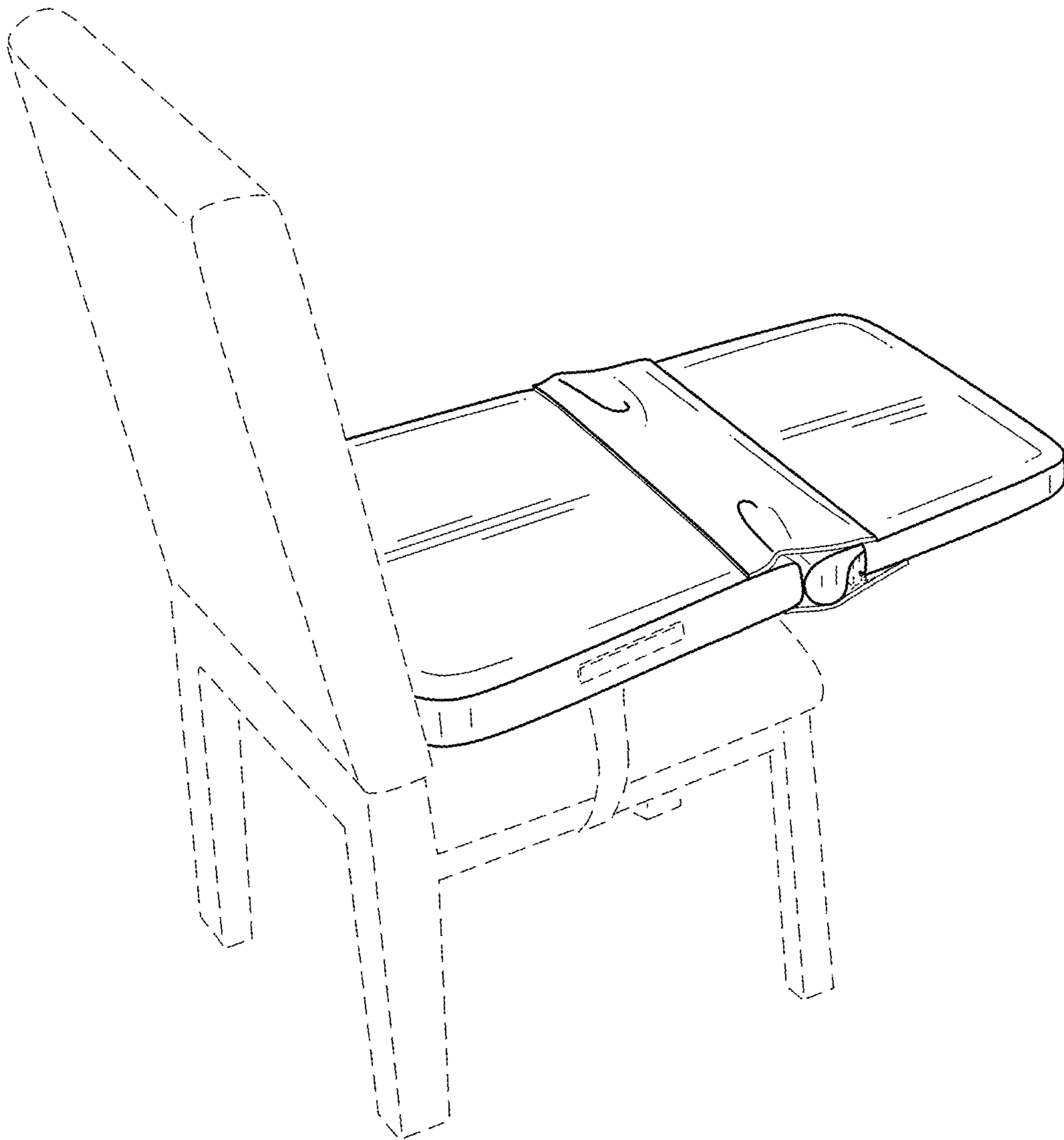


FIG. 9

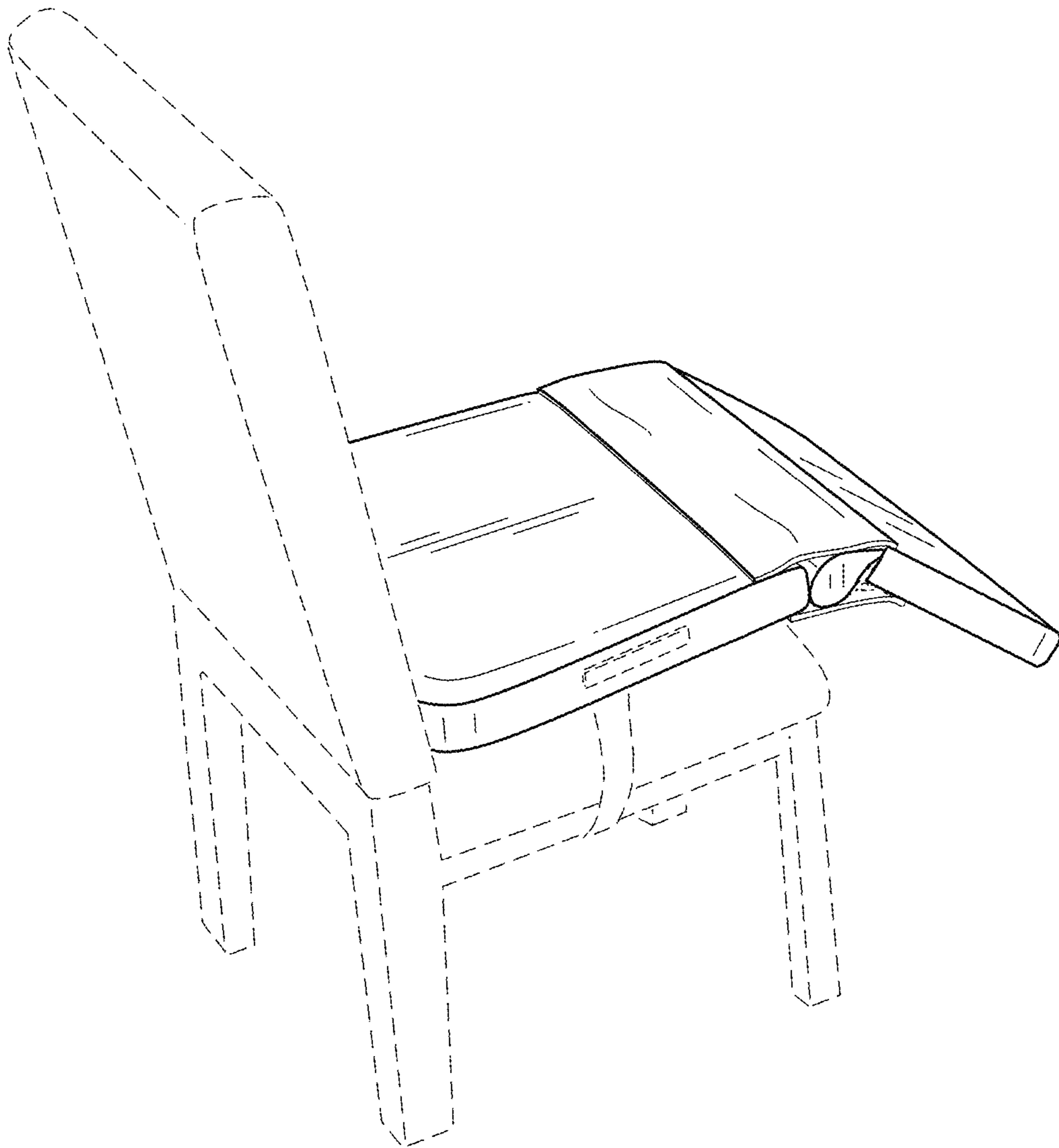


FIG. 10