



US00D977870S

(12) **United States Design Patent**
Sung

(10) **Patent No.:** **US D977,870 S**

(45) **Date of Patent:** **** Feb. 14, 2023**

- (54) **HAIR COLOR BOTTLE MIXER**
- (71) Applicant: **Hyeri Sung**, Leonia, NJ (US)
- (72) Inventor: **Hyeri Sung**, Leonia, NJ (US)
- (**) Term: **15 Years**
- (21) Appl. No.: **29/762,302**
- (22) Filed: **Dec. 15, 2020**

Related U.S. Application Data

- (63) Continuation-in-part of application No. 17/028,402, filed on Sep. 22, 2020, now abandoned.
- (51) **LOC (14) Cl.** **23-08**
- (52) **U.S. Cl.**
USPC **D6/542; D9/746**
- (58) **Field of Classification Search**
USPC D6/512, 515, 518, 522, 542, 524, 543, D6/545; D9/447, 448, 434, 436, 454, D9/529, 558, 602, 686, 689, 690; D24/130; D7/306, 312, 313, 316, 322, D7/397, 398, 589; D13/158; D23/245, D23/248, 262, 263
CPC A47K 5/1214; A47K 5/14; A47K 2210/00; B01F 25/316; B05B 11/3035; B05B 11/3001; G01F 11/028
See application file for complete search history.

(56) **References Cited**

U.S. PATENT DOCUMENTS

- 1,846,098 A * 2/1932 Goodloe A47K 5/14 422/283
- 2,429,958 A * 10/1947 Liebmann B65D 21/0217 206/520
- 3,624,789 A * 11/1971 Peyser B65D 21/022 206/508
- 5,409,128 A * 4/1995 Mitchell B65D 21/022 206/508
- D484,361 S * 12/2003 Jeung D7/300.2

- D612,915 S * 3/2010 McPheat D23/262
- D661,549 S * 6/2012 Kemper D7/505
- D738,111 S * 9/2015 Otto D9/504
- 9,642,497 B2 * 5/2017 Schlesinger B65D 81/361
- D794,475 S * 8/2017 Now D9/742
- D799,973 S * 10/2017 Sorensen D9/558

(Continued)

OTHER PUBLICATIONS

Untitled-hct.group, available in instagram.com, published Aug. 6, 2019 Year 2019 [online], Retrieved on Sep. 14, 2022 from URL: <https://www.instagram.com/p/B01qlieHAvh/> (Year: 2019).*

Primary Examiner — Vy N Koenig
Assistant Examiner — Michelle M Reeves

(57) **CLAIM**

The ornamental design for a hair color bottle mixer, as shown and described.

DESCRIPTION

FIG. 1 is a perspective view of a hair color bottle mixer according to a first embodiment of the present invention, showing the upper bottle combinable with the lower bottle in a protrusion-groove combination manner.

FIG. 2 is a front view of FIG. 1.

FIG. 3 is a rear view of FIG. 1.

FIG. 4 is a left side view of FIG. 1.

FIG. 5 is a right side view of FIG. 1.

FIG. 6 is a top view of FIG. 1.

FIG. 7 is a bottom view of FIG. 1.

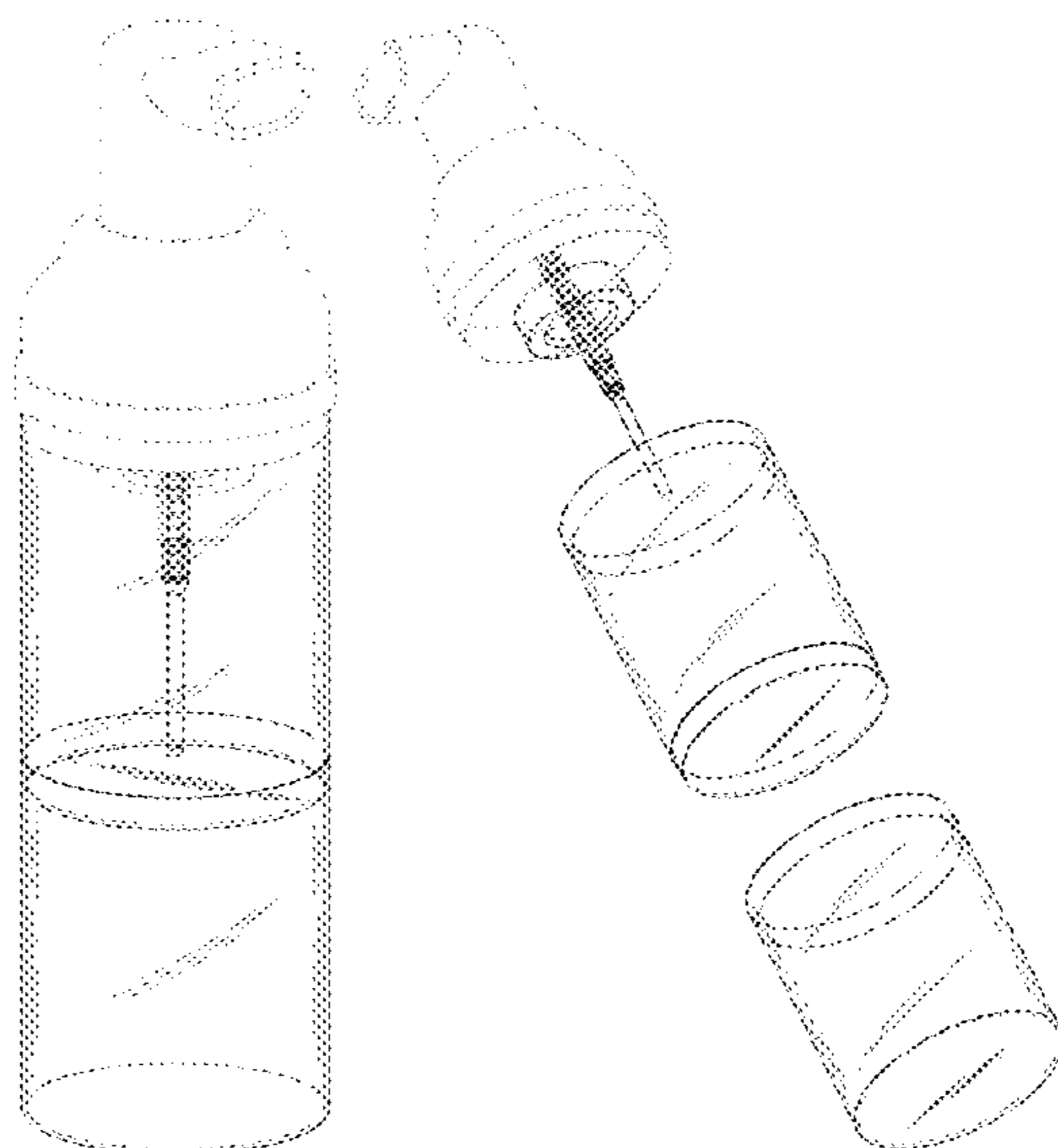
FIG. 8 is an expanded top view of FIG. 1.

FIG. 9 is an expanded bottom view of FIG. 1; and,

FIG. 10 is a perspective view of a hair color bottle mixer according to a second embodiment of the present invention, showing the tipper bottle combinable with the lower bottle by a male-female screw thread combination manner.

The broken lines shown in drawings depict environment and form no part of the claimed design.

1 Claim, 9 Drawing Sheets



(56)

References Cited

U.S. PATENT DOCUMENTS

D817,104 S *	5/2018	Ignatoff	D7/629
D822,500 S *	7/2018	Vargas-Folch	D9/690
D915,134 S *	4/2021	You	D7/400
D953,773 S *	6/2022	Ghiorghie	D6/542
2010/0025281 A1 *	2/2010	Baker	B65D 21/0231 206/509
2014/0069917 A1 *	3/2014	Meyers	B65D 21/022 220/23.88
2014/0091086 A1 *	4/2014	Sorensen	B65D 21/022 215/11.1

* cited by examiner

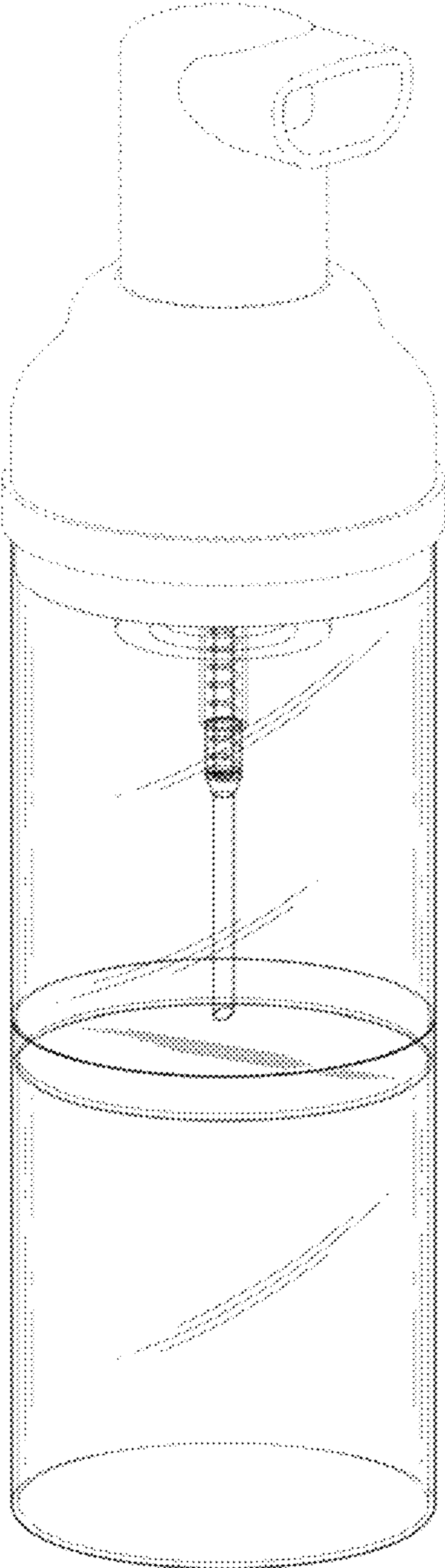


FIG. 1

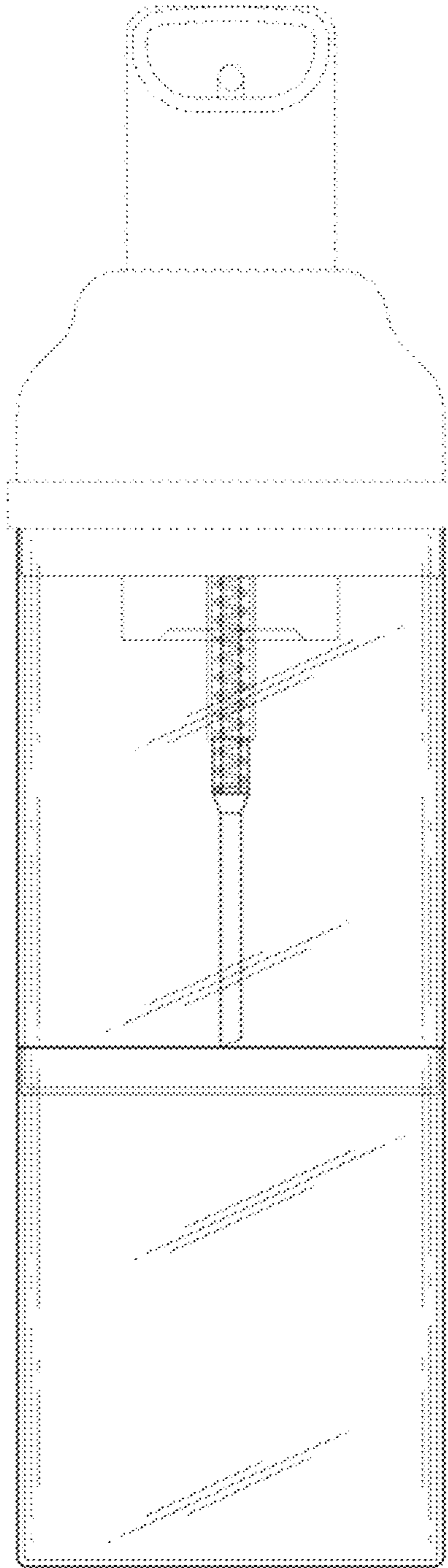


FIG. 2

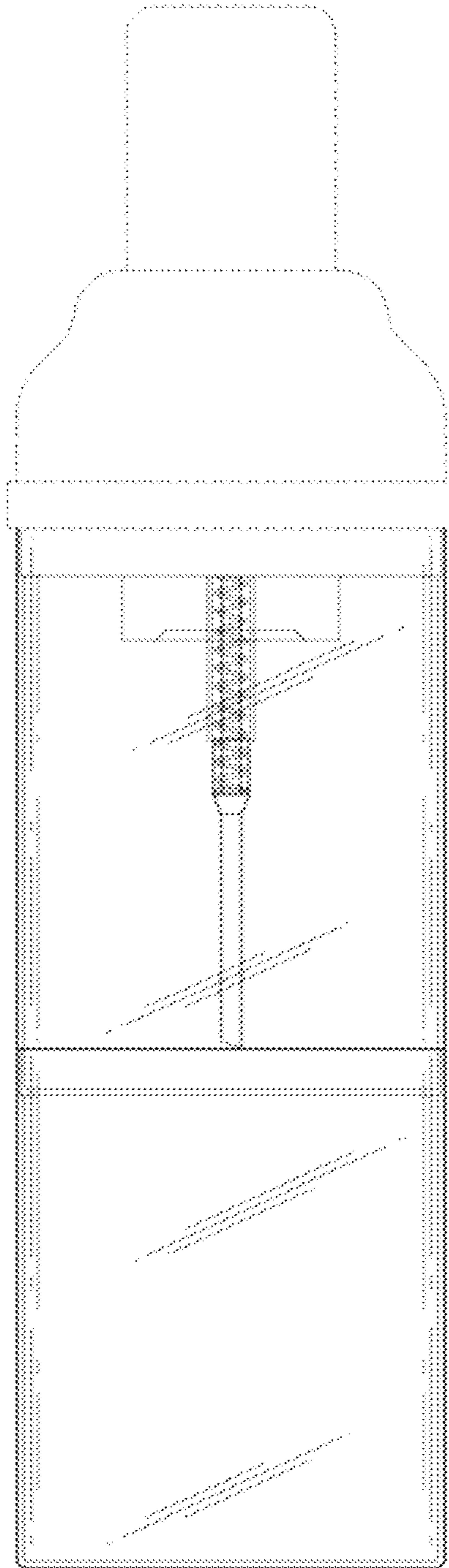


FIG. 3

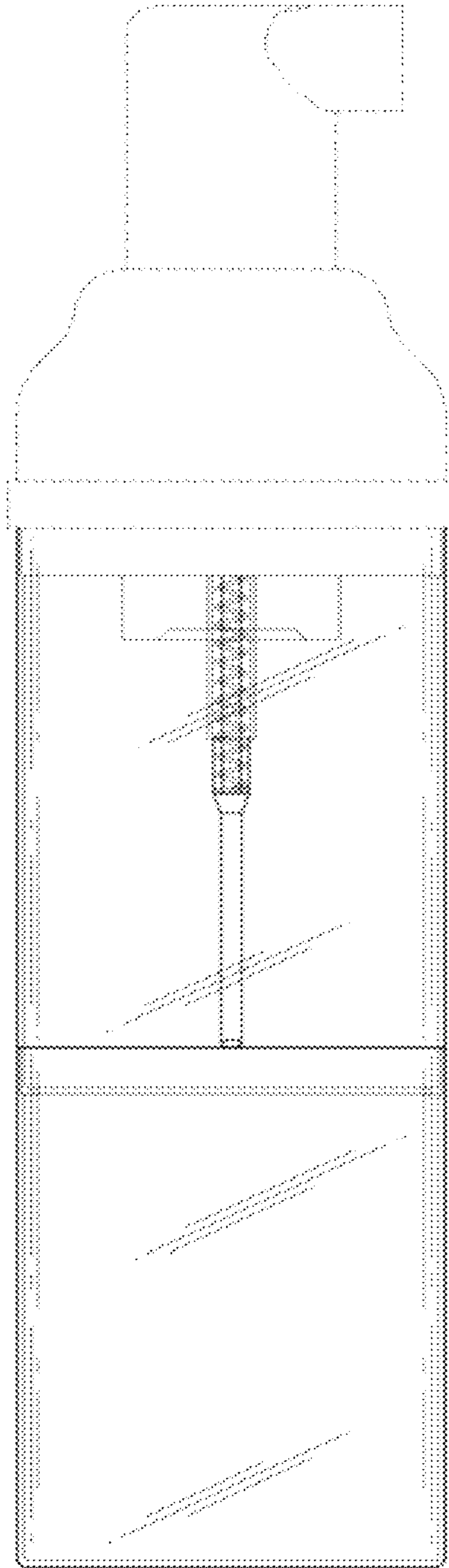


FIG. 4

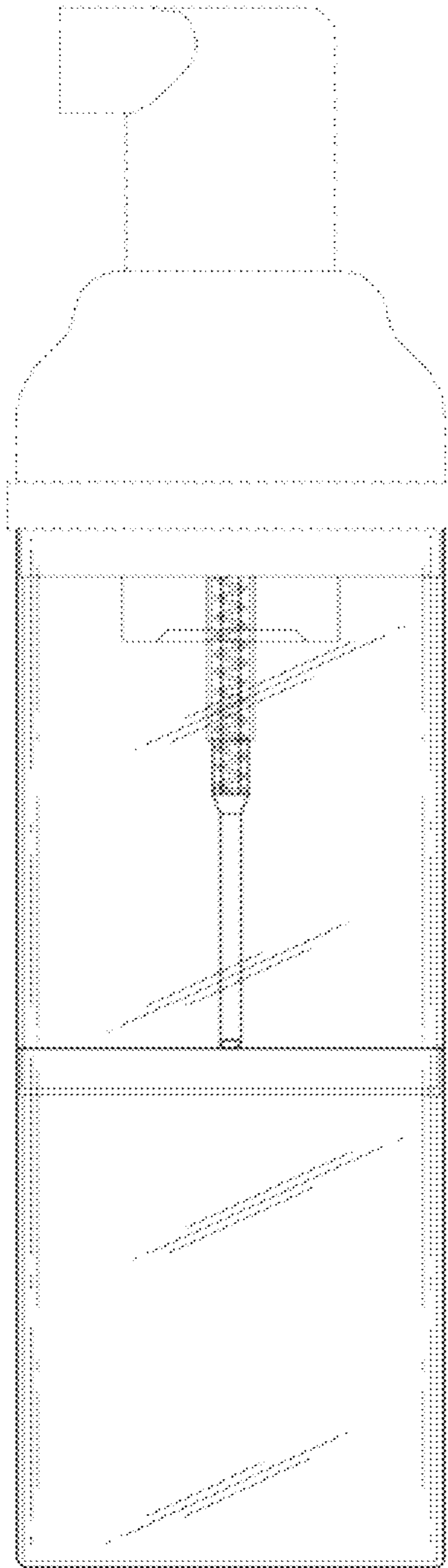


FIG. 5

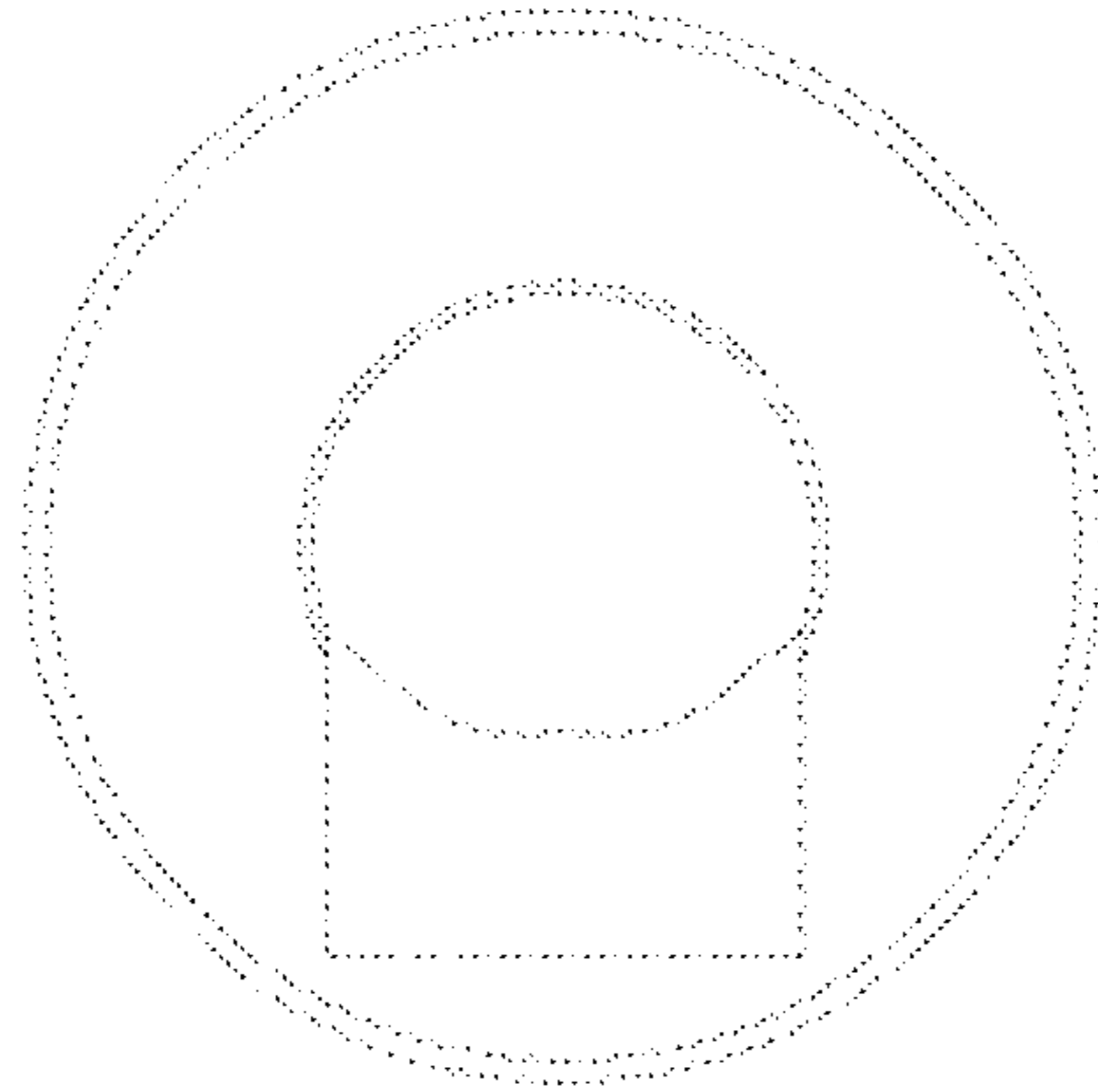


FIG. 6

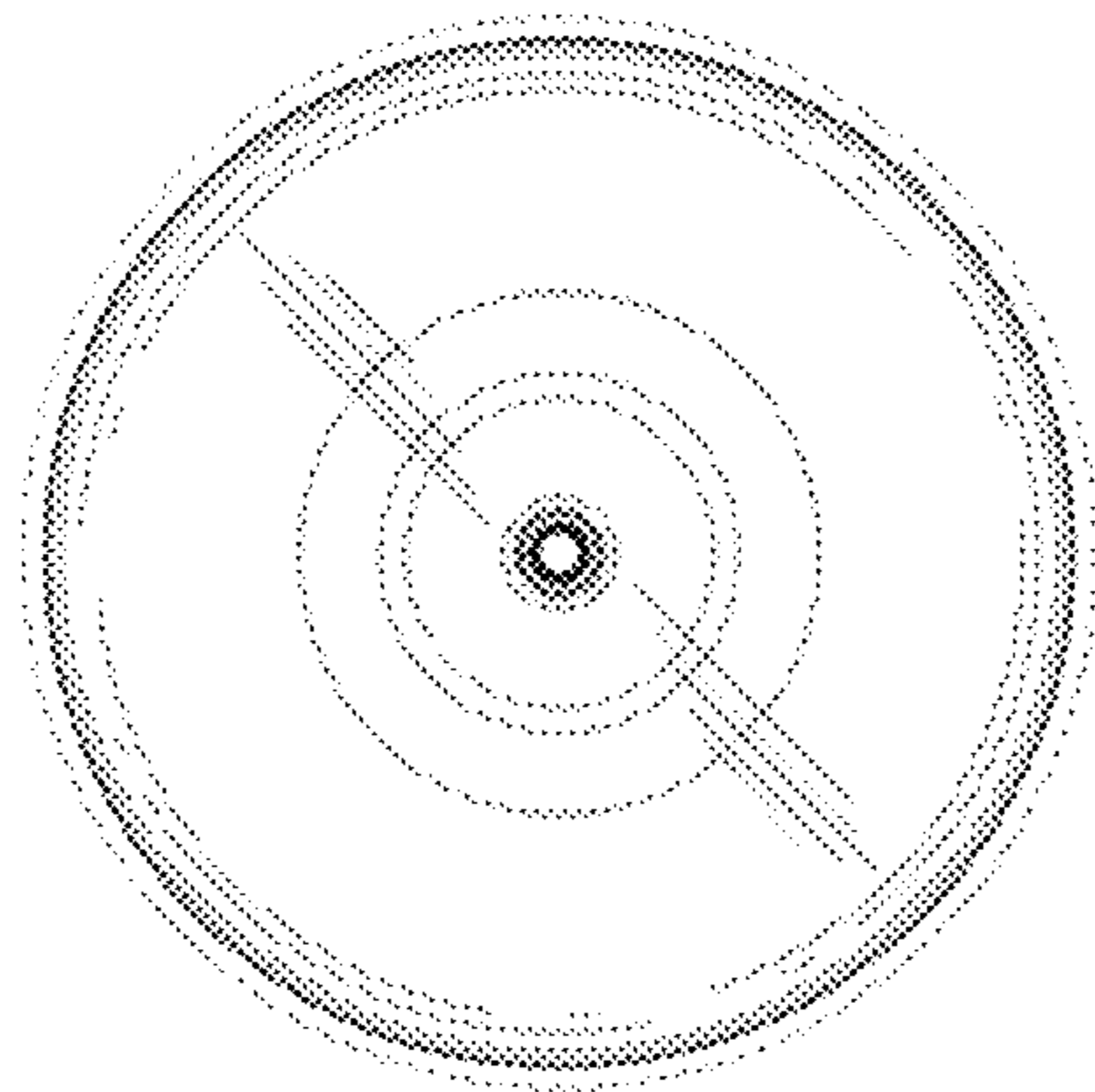


FIG. 7

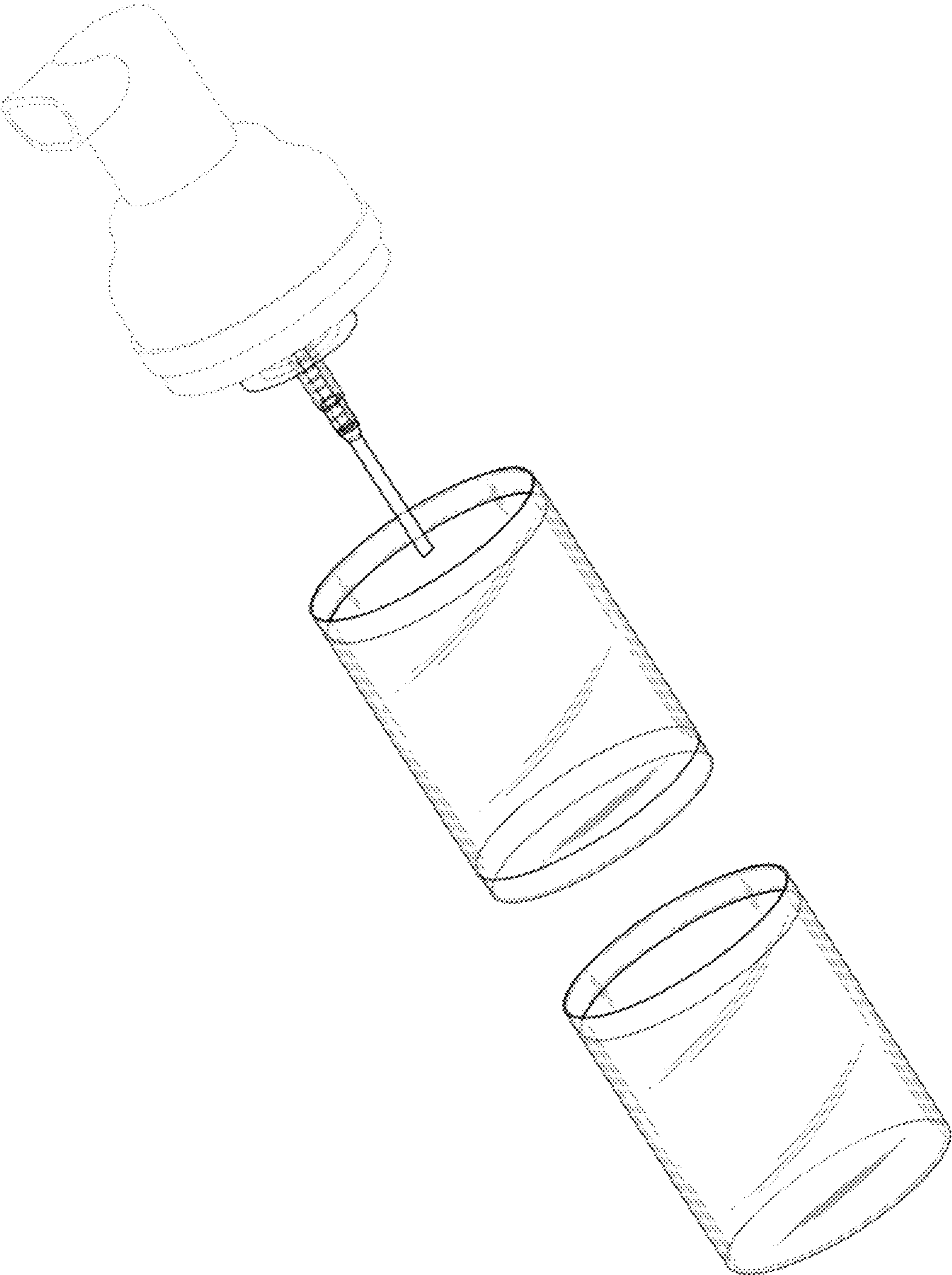


FIG. 8

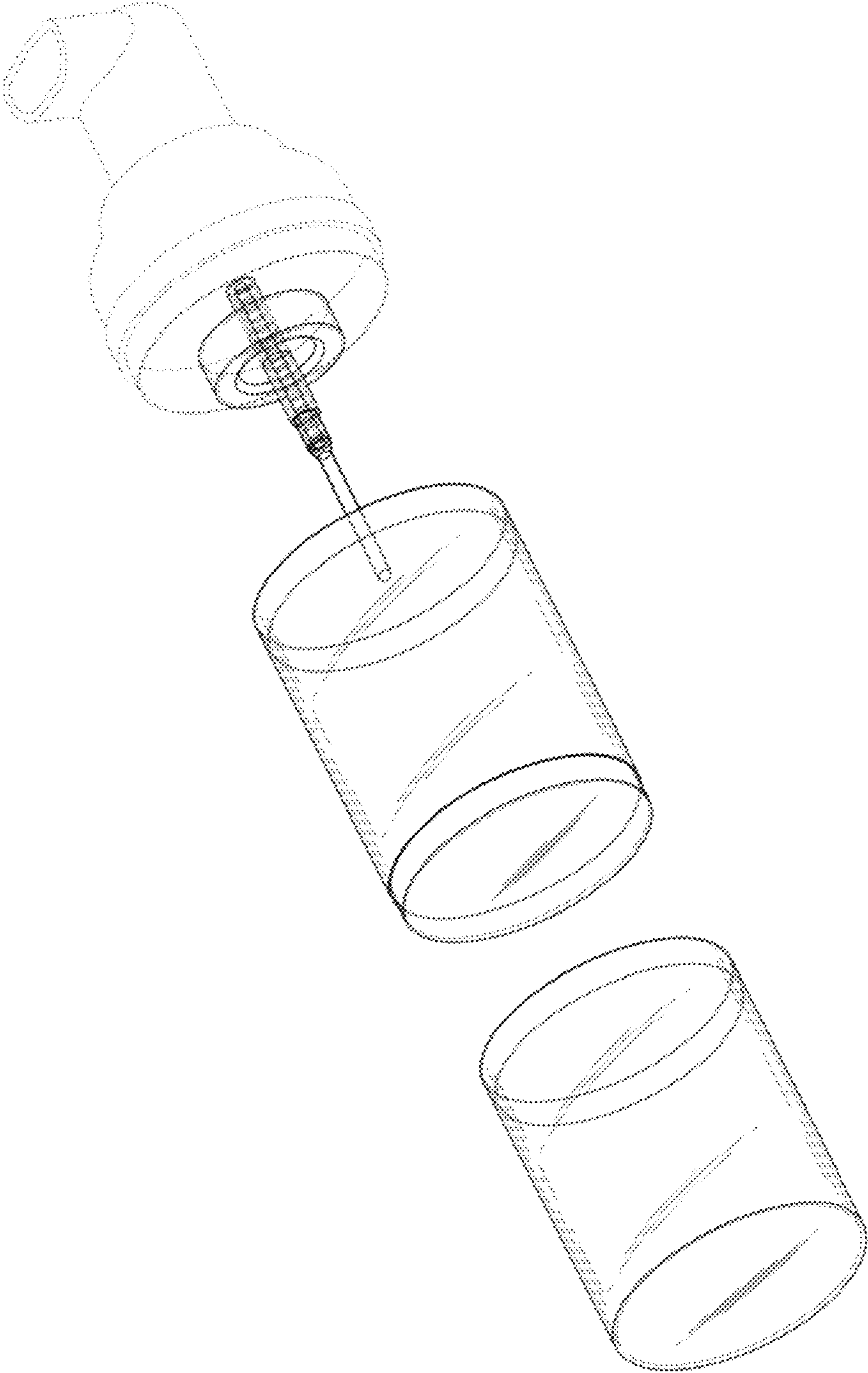


FIG. 9

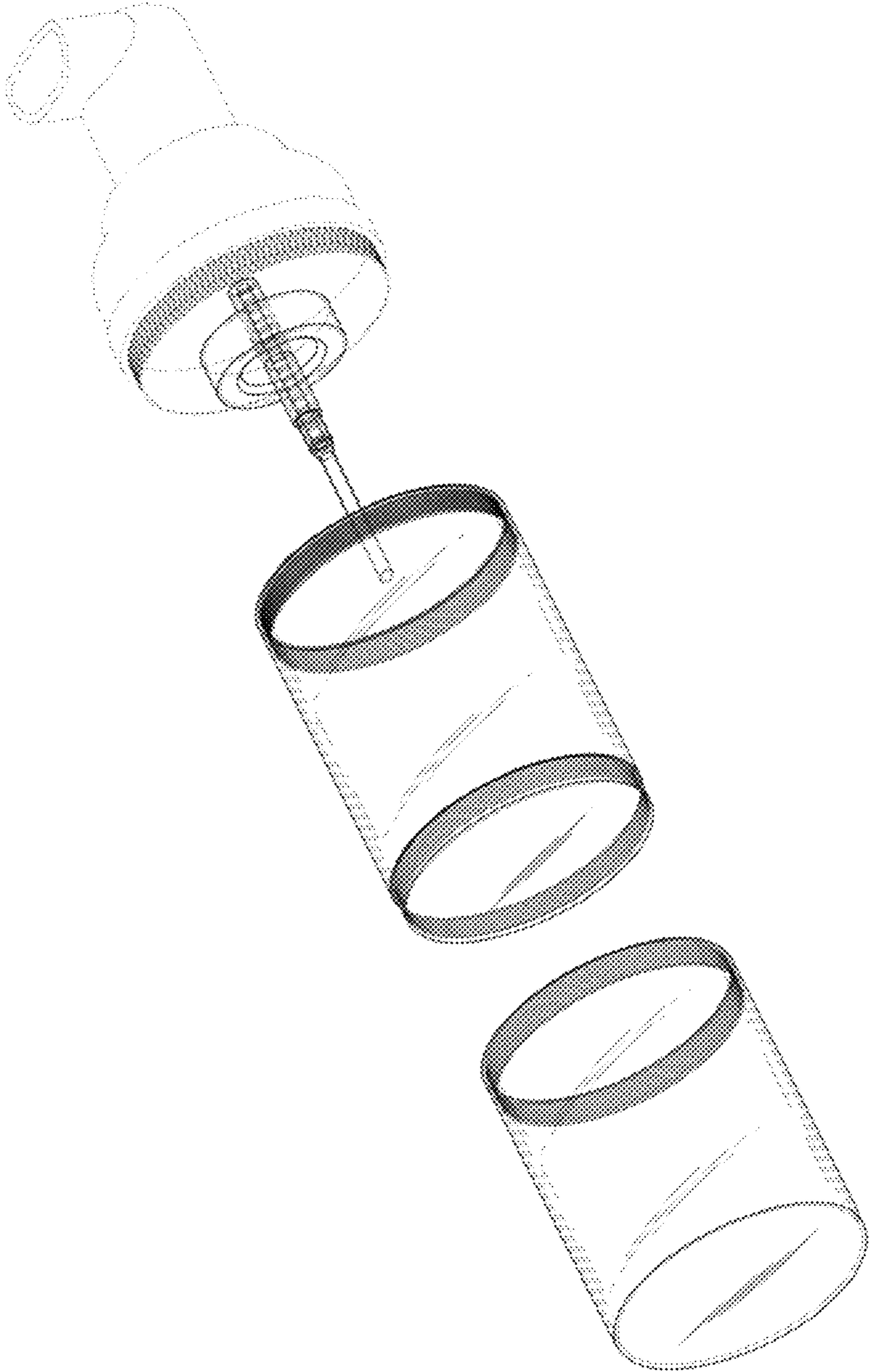


FIG. 10