



US00D977866S

(12) **United States Design Patent**
Mao et al.

(10) **Patent No.: US D977,866 S**

(45) **Date of Patent: ** Feb. 14, 2023**

(54) **BABY CHANGING TABLE**

(71) Applicant: **FU JIAN QIANG XIN BABY PRODUCTS CO., LTD.**, ZhangZhou (CN)

(72) Inventors: **Jiannan Mao**, Zhangzhou (CN); **Yongzhi Jian**, Zhangzhou (CN)

(**) Term: **15 Years**

(21) Appl. No.: **29/855,310**

(22) Filed: **Sep. 30, 2022**

(51) **LOC (14) Cl.** **06-03**

(52) **U.S. Cl.**
USPC **D6/391**

(58) **Field of Classification Search**
USPC D6/331, 333, 336, 349, 353, 368, 390, D6/391, 691, 691.6, 708.16, 718
CPC A47B 2003/025; A47B 2003/045; A47B 3/02; A47B 13/16; A47B 37/04; A47C 9/10; A47C 4/283; A47D 9/005; A47D 5/006; A47D 13/063; A47D 15/008; A47D 1/10; A45F 3/24
See application file for complete search history.

(56) **References Cited**

U.S. PATENT DOCUMENTS

5,339,470	A *	8/1994	Shamie	A47D 13/063
					5/98.1
D375,419	S *	11/1996	Levine	5/655
D593,339	S *	6/2009	Tomasi	D23/278
D637,272	S	5/2011	Du		
D905,462	S *	12/2020	Jeidel	D6/391
D923,352	S *	6/2021	Gong	D6/391
2001/0001162	A1 *	5/2001	Warner, Jr.	A47D 13/063
					5/99.1

(Continued)

FOREIGN PATENT DOCUMENTS

CN 210471648 U * 5/2020

OTHER PUBLICATIONS

Jerrybaby Multi Functional Diaper Table, retrieved from google.com/shopping, posting date unavailable, retrieved Nov. 30, 2022, URL: <https://www.google.com/shopping/product/16841132012222656948?hl=en&q=%22jerrybaby%22+multi+function+changing+table&prds=epd>: (Year: 2022).*

(Continued)

Primary Examiner — Mary Shannon Malley
Assistant Examiner — Michelle Marquart Christeon

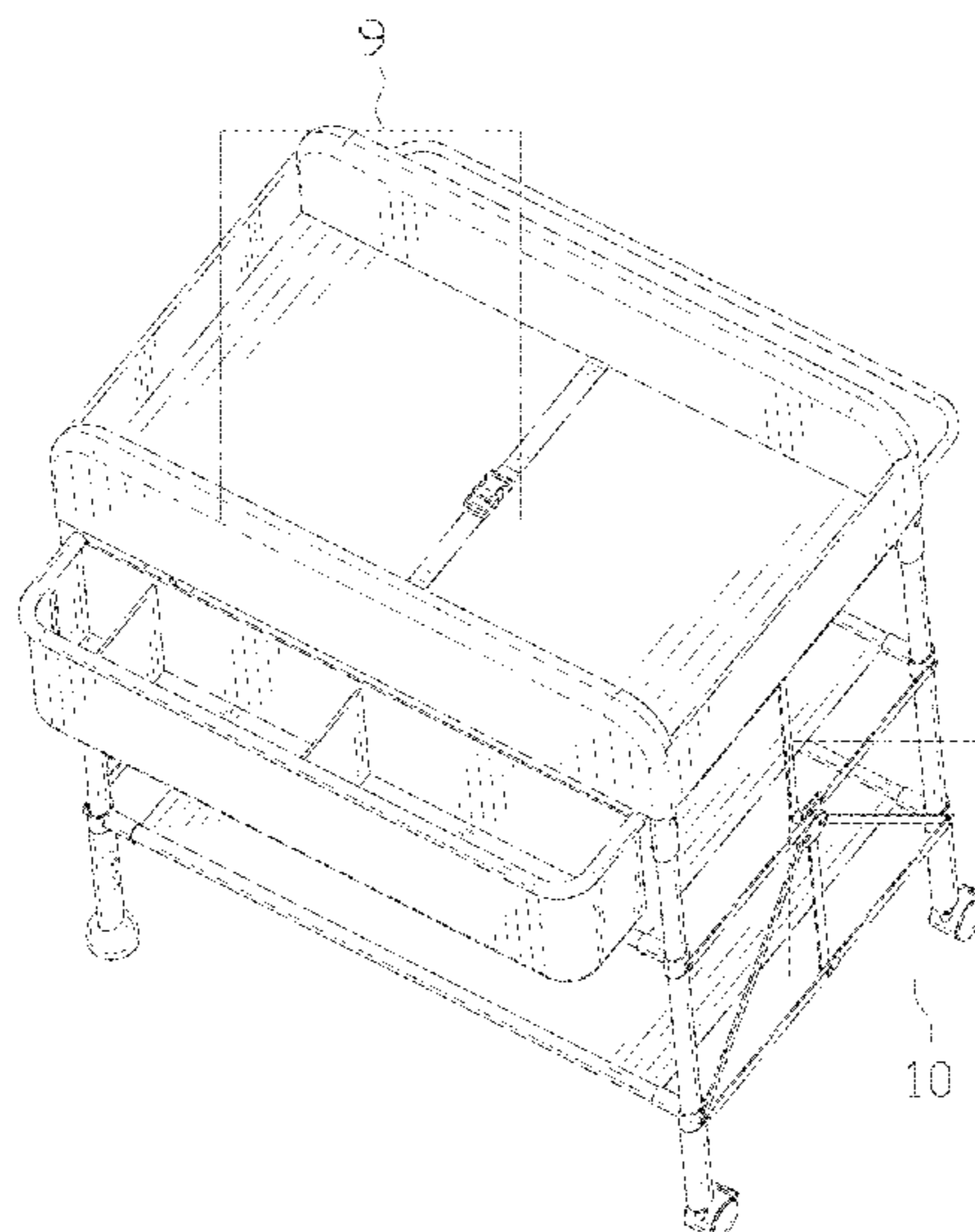
(57) **CLAIM**

The ornamental design for a baby changing table, as shown and described.

DESCRIPTION

FIG. 1 is a front and top perspective view of a baby changing table, showing my new design;
FIG. 2 is a rear and bottom perspective view thereof;
FIG. 3 is a front elevation view thereof;
FIG. 4 is a rear elevation view thereof;
FIG. 5 is a left side elevation view thereof;
FIG. 6 is a right side elevation view thereof;
FIG. 7 is a top plan view thereof;
FIG. 8 is a bottom plan view thereof;
FIG. 9 is an enlarged perspective view of detail “9” identified in FIG. 1;
FIG. 10 is an enlarged perspective view of detail “10” identified in FIG. 1;
FIG. 11 is an enlarged perspective view of detail “11” identified in FIG. 2; and,
FIG. 12 is another perspective view thereof, shown in an alternative position.
The dashed lines in the figures illustrate portions of the baby changing table that form no part of the claimed design. The dash dot dash lines in FIGS. 1, 2, 9, 10 and 11 are for the purpose of illustrating the enlarged views indicators and form no part of the claimed design.

1 Claim, 12 Drawing Sheets



(56)

References Cited

U.S. PATENT DOCUMENTS

2008/0098530 A1* 5/2008 Chen A47D 13/063
5/655
2009/0113624 A1* 5/2009 Tuckey A47D 5/00
5/655
2010/0162484 A1* 7/2010 Thomas A47D 5/00
5/93.1
2017/0105583 A1* 4/2017 Taft A47K 3/024
2018/0146795 A1* 5/2018 Longenecker A47D 5/006
2019/0086254 A1* 3/2019 Eggert-Crowe G01G 19/413

OTHER PUBLICATIONS

Egree Changing Table, retrieved from amazon.com, review date Oct. 2, 2020, online, retrieved Dec. 2, 2022, URL:<https://www.amazon.com/EGREE-Changing-Station-Adjustable-Organizer/dp/B086ZWD5JX/>(Year: 2022).*

Beka Changing Table, retrieved from amazon.com, first question answered Oct. 25, 2022, online, retrieved Dec. 2, 2022, URL:<https://www.amazon.ca/BEKA-Portable-Adjustable-Organizer-Waterproof/dp/B0B9Y7YQGT/>(Year: 2022).*

ZXXL Changing Table, retrieved from amazon.co.uk, posting date Sep. 23, 2020, online, retrieved Nov. 16, 2022, URL:<https://www.amazon.co.uk/ZXXL-Changing-Adjustable-Folding-Portable/dp/B08JSF6VVQ?th=1> (Year: 2020).*

Sweeby Changing Table, retrieved from amazon.com, posting date Feb. 14, 2022, online, retrieved Dec. 2, 2022, URL:<https://www.amazon.com/dp/B09D7GBT18/> (Year: 2022).*

* cited by examiner

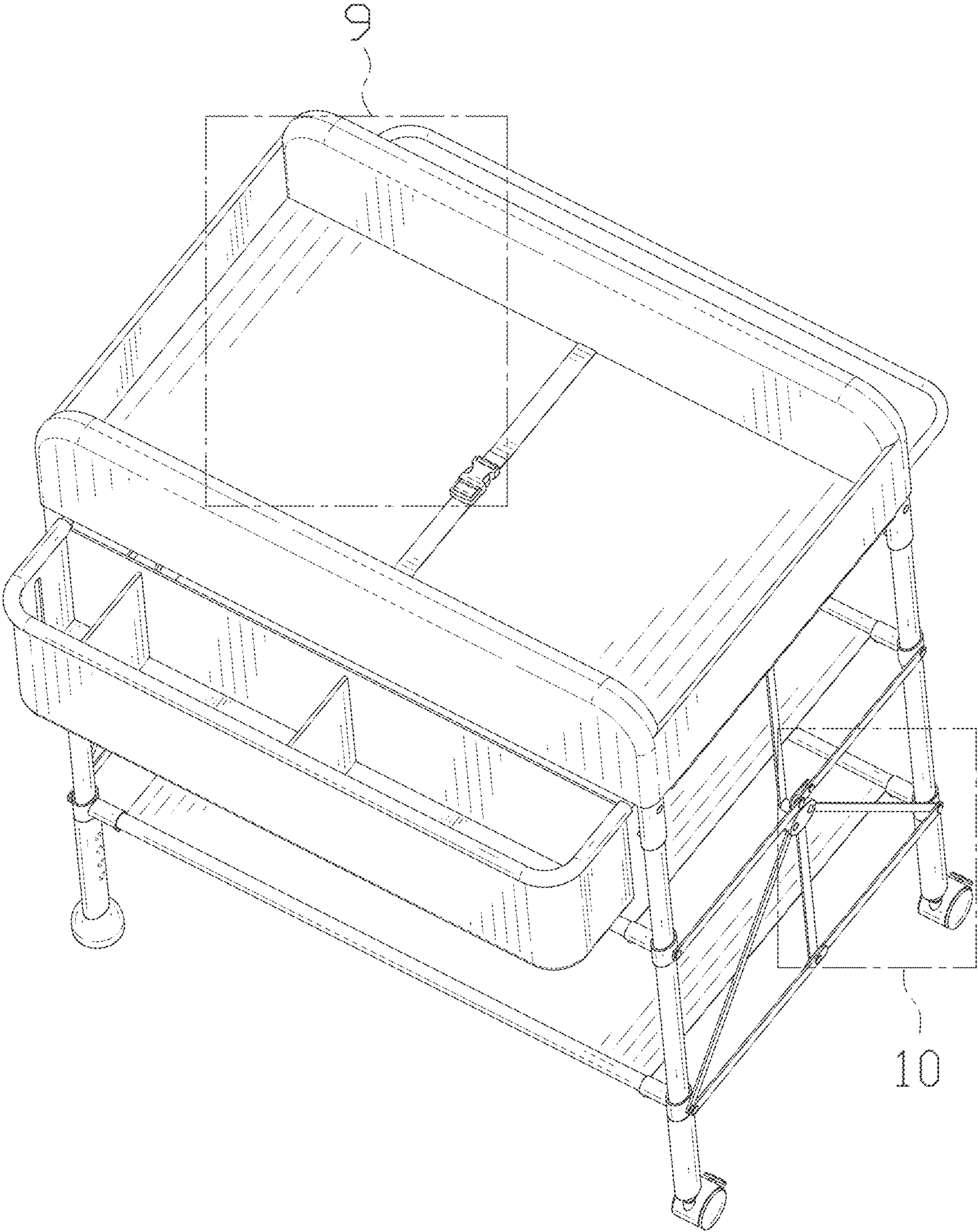


FIG. 1

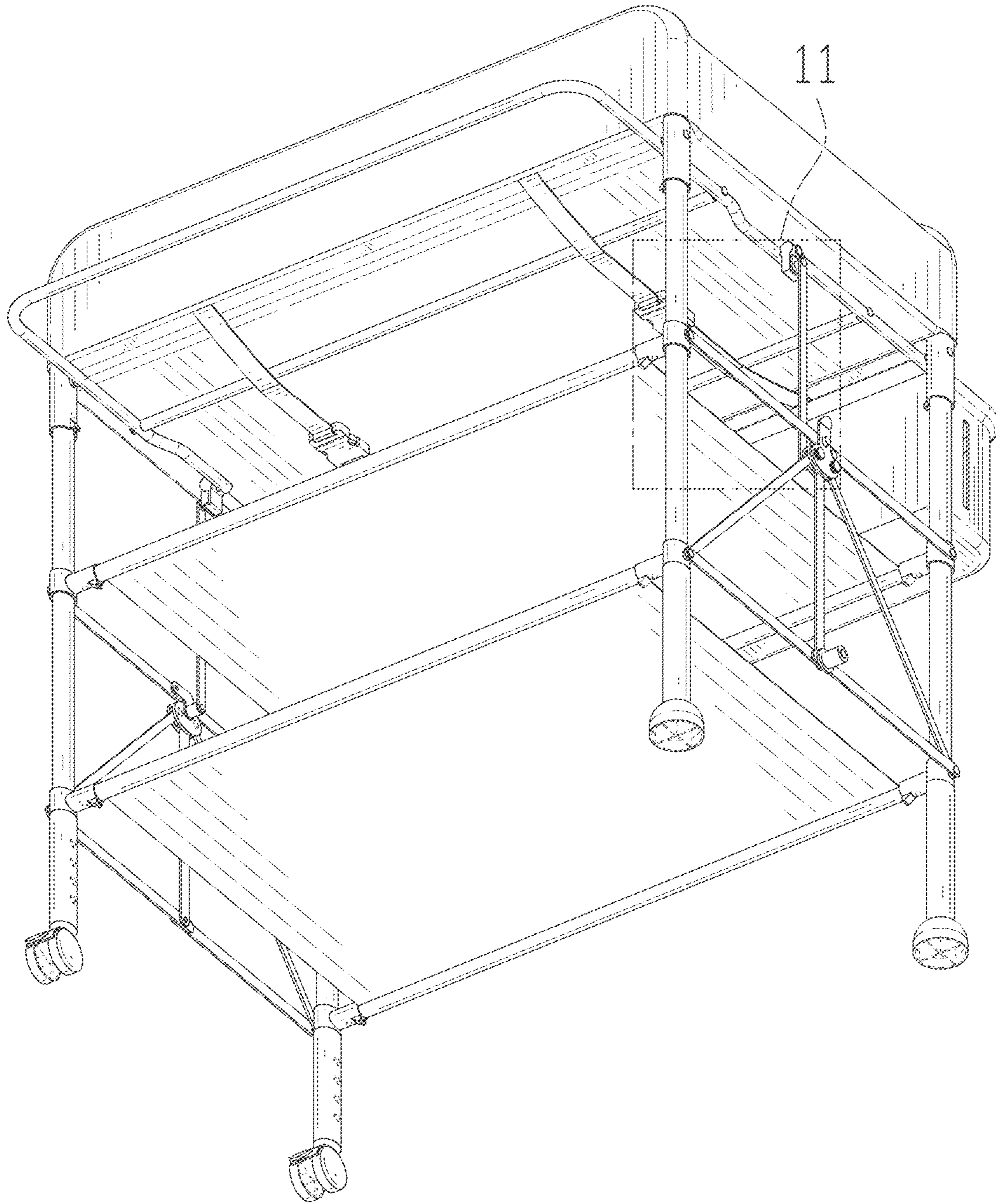


FIG. 2

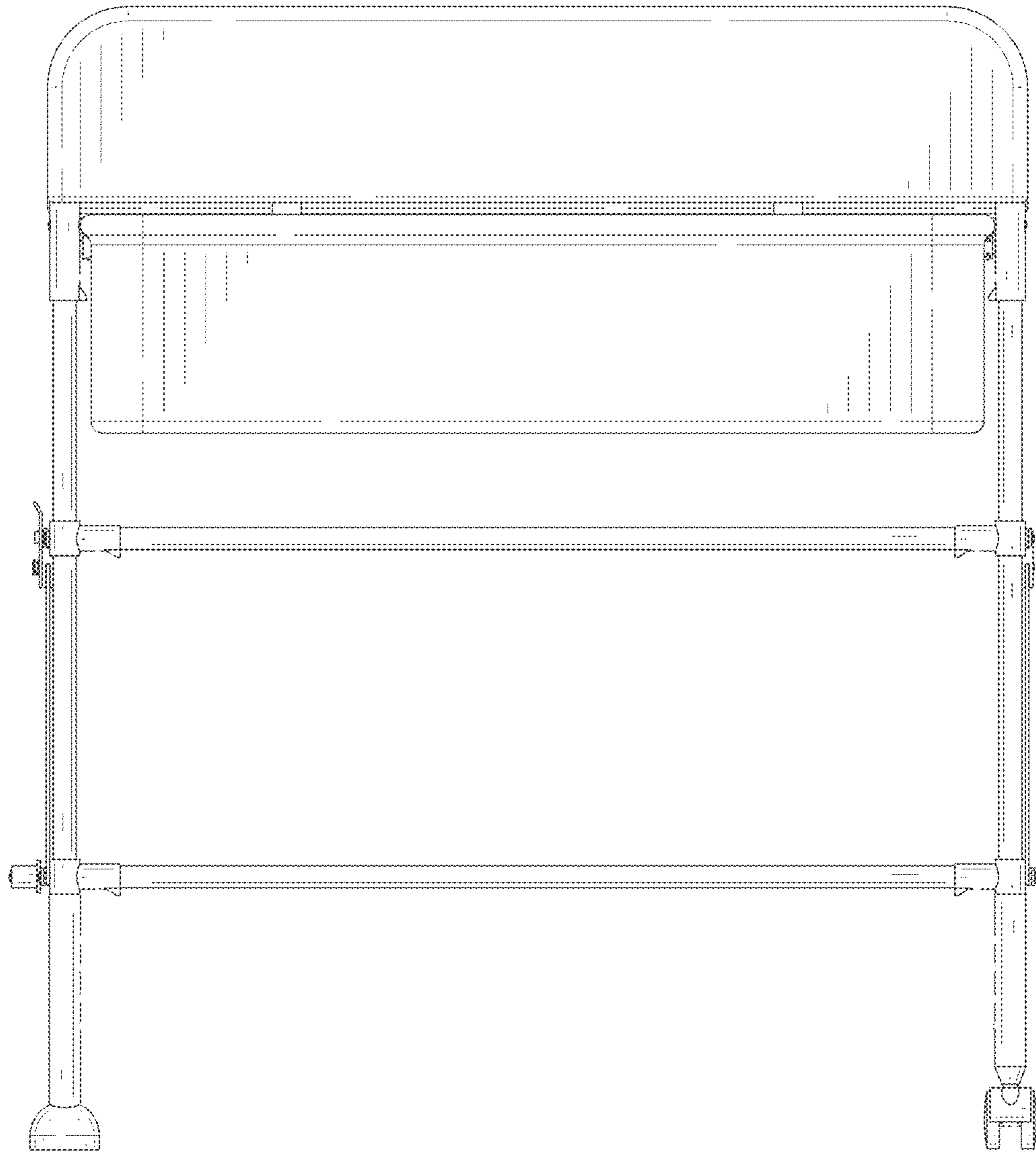


FIG. 3

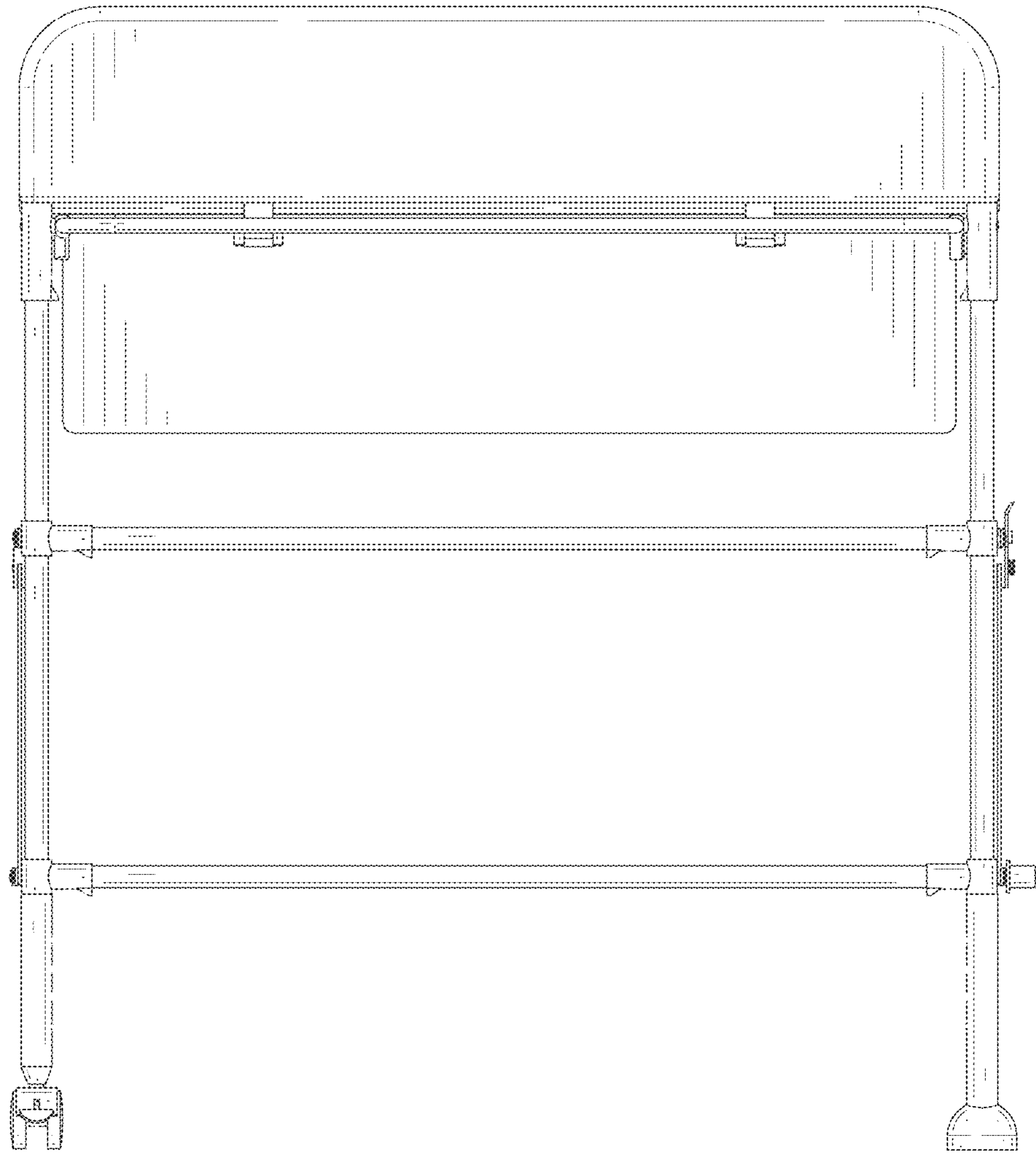


FIG. 4

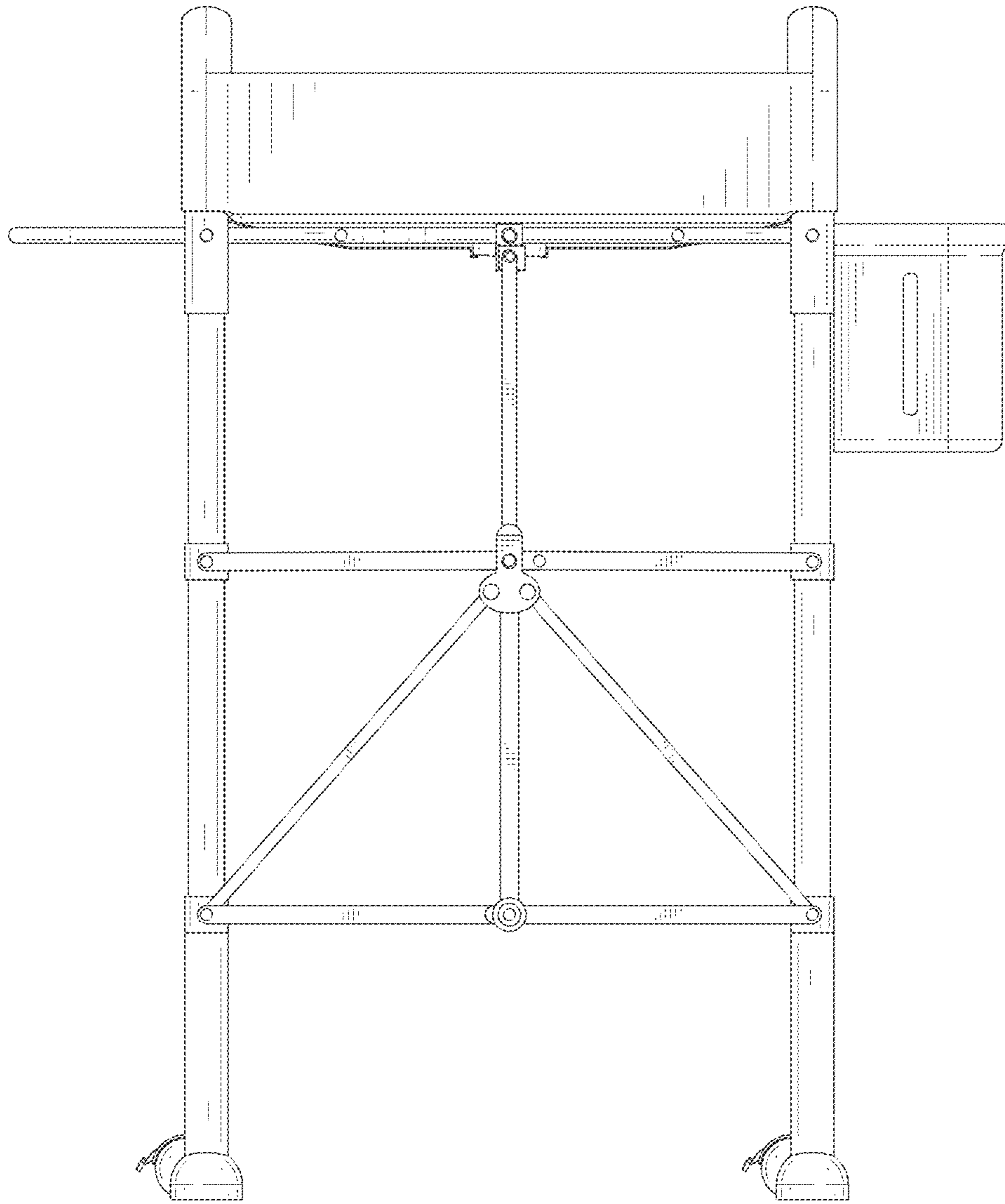


FIG. 5

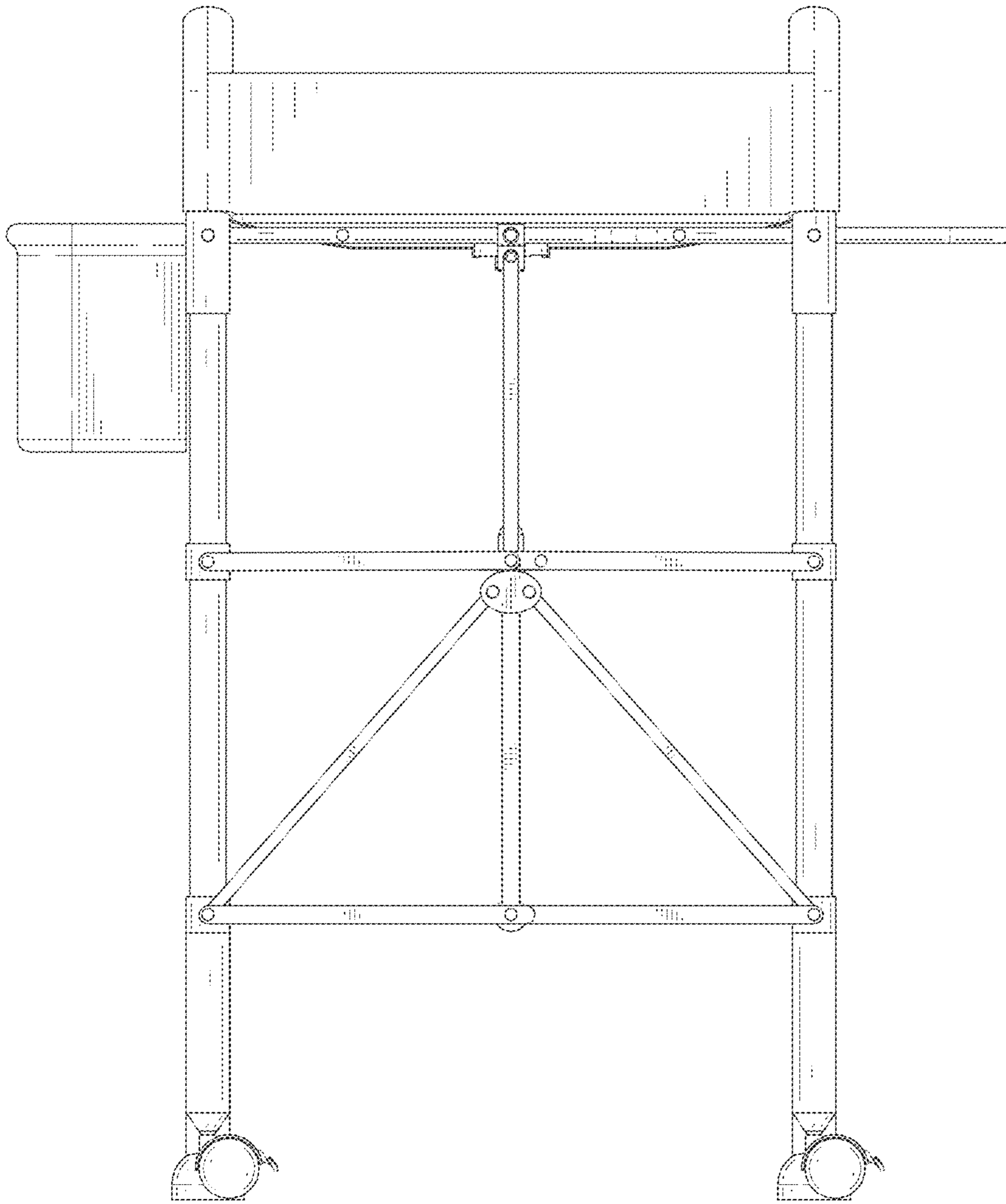


FIG. 6

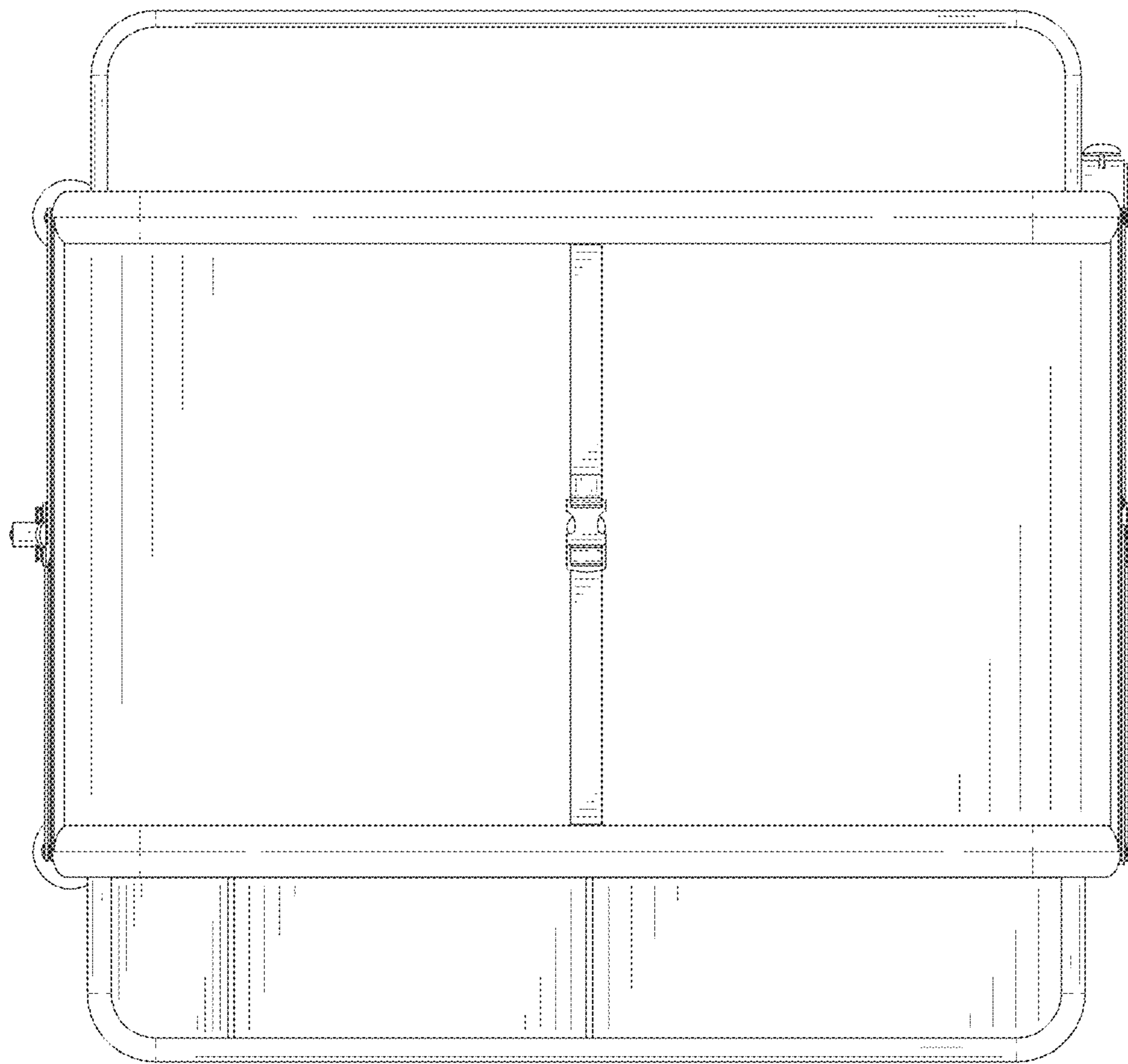


FIG. 7

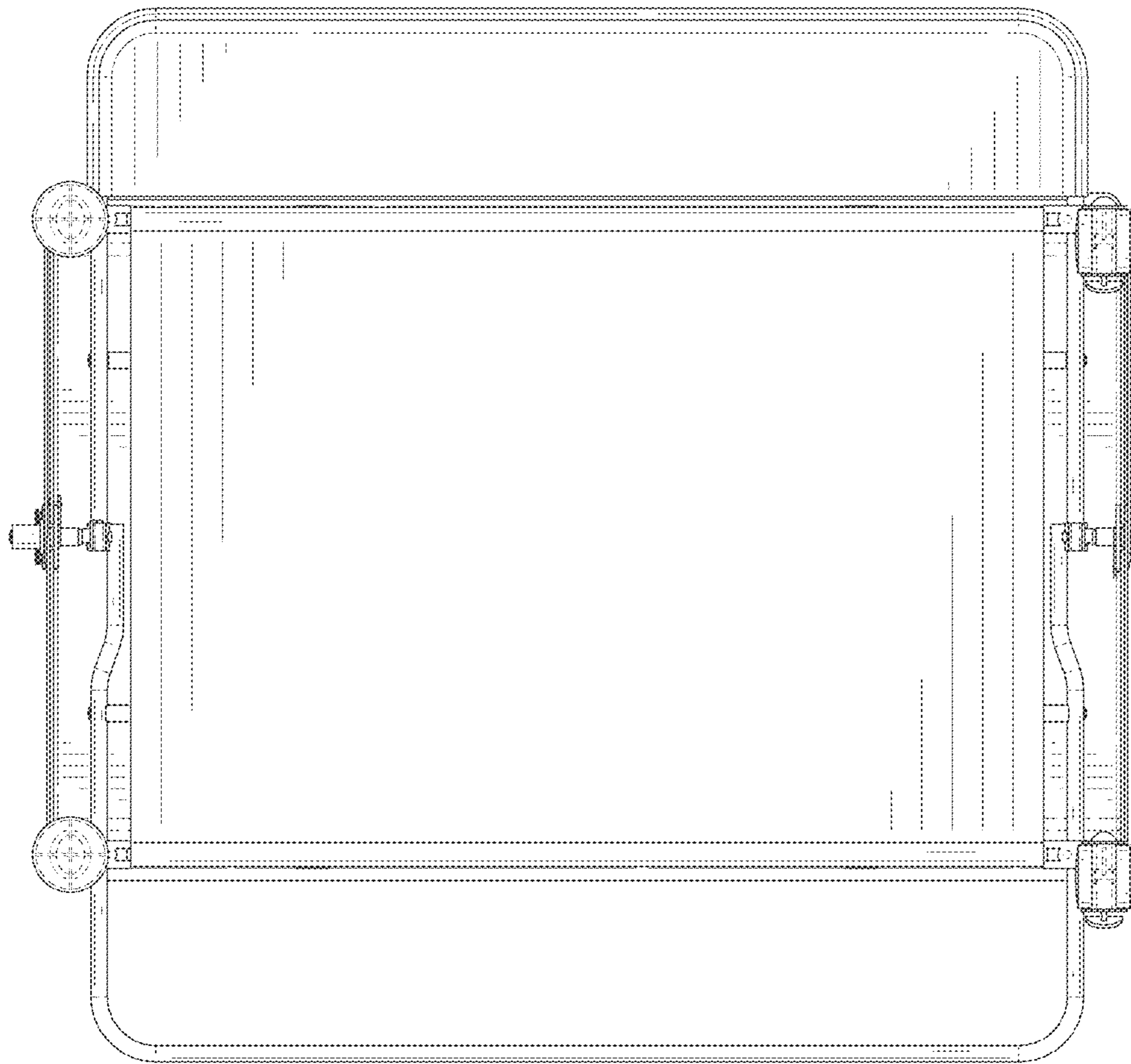


FIG. 8

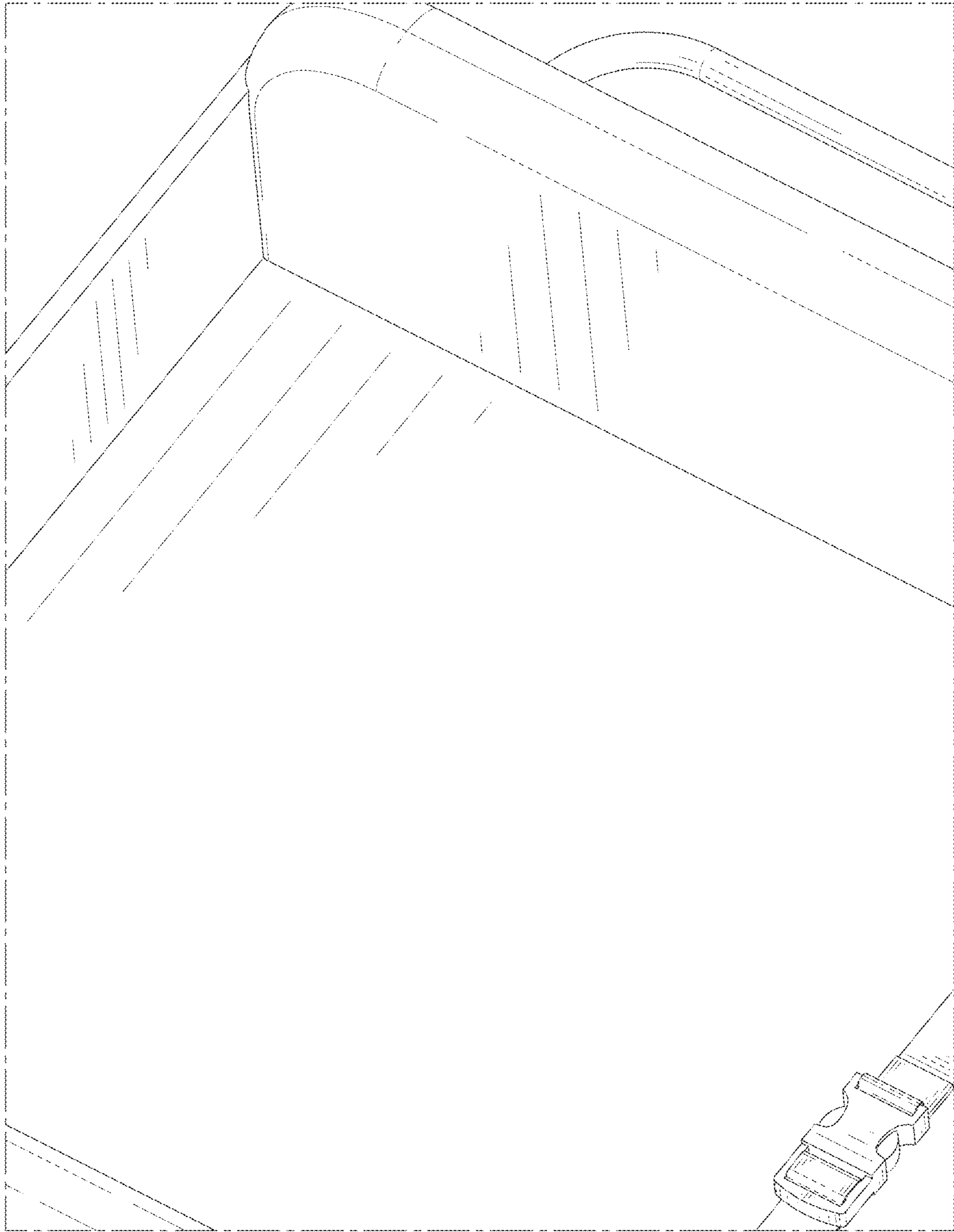


FIG. 9

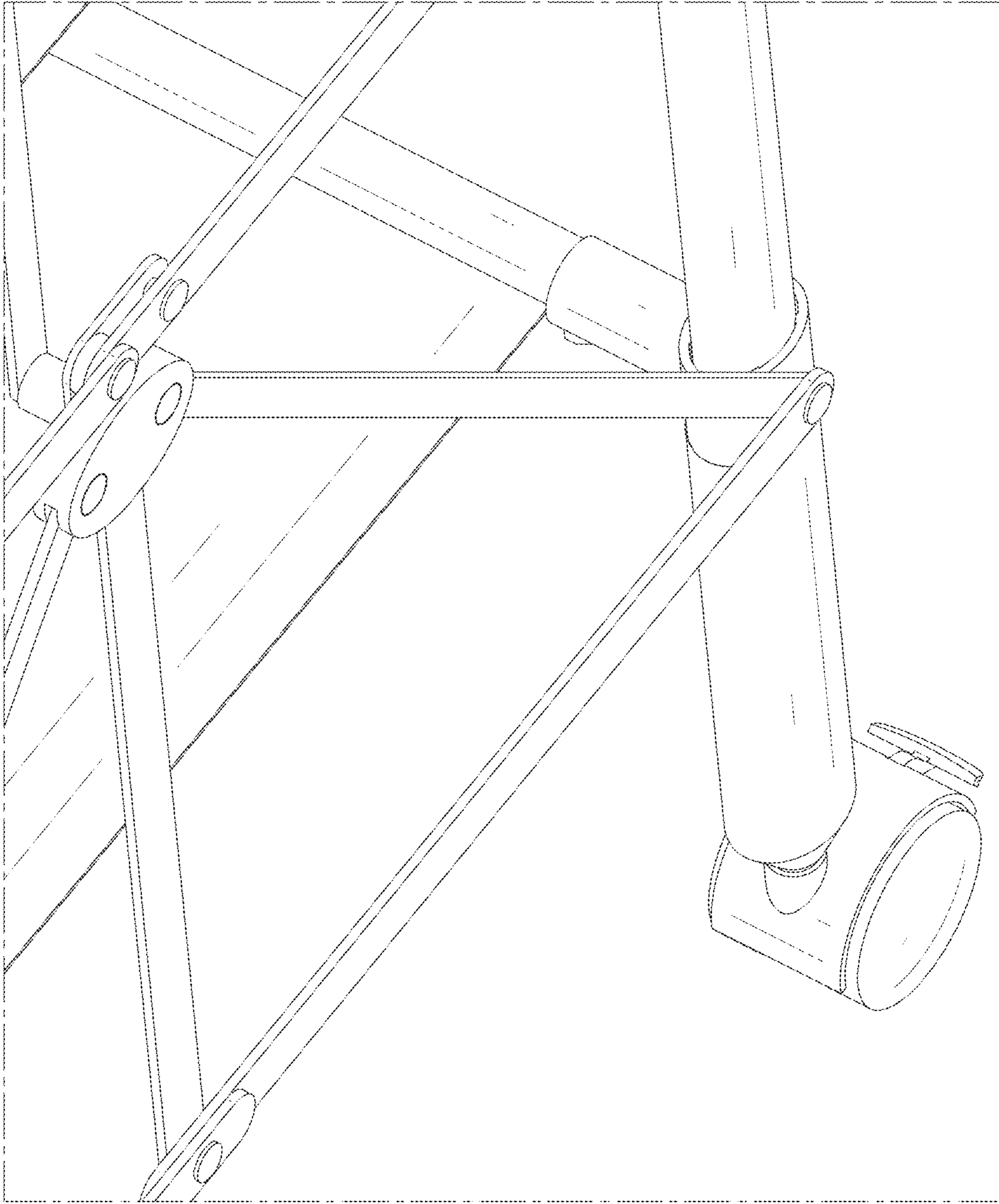


FIG. 10

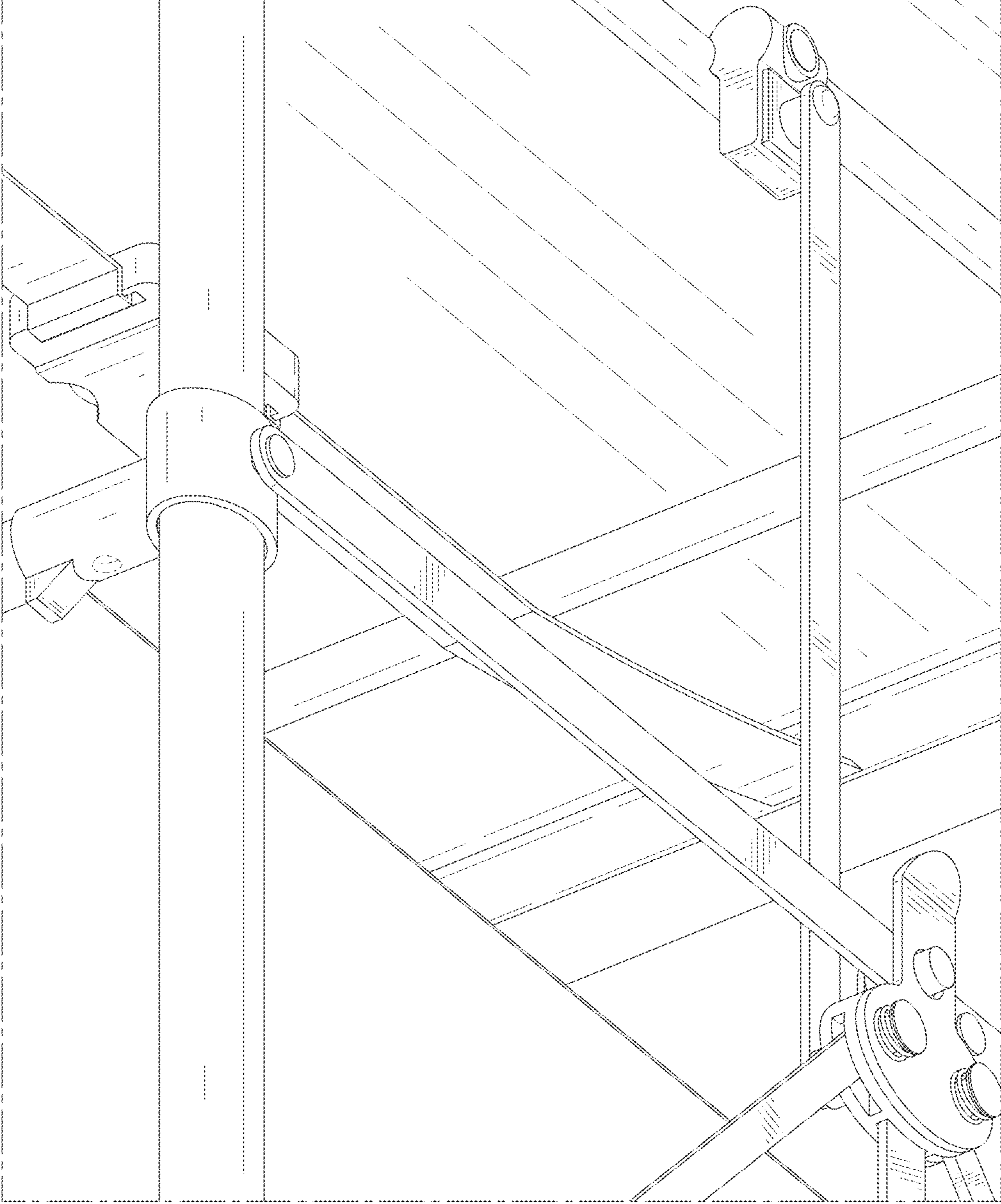


FIG. 11

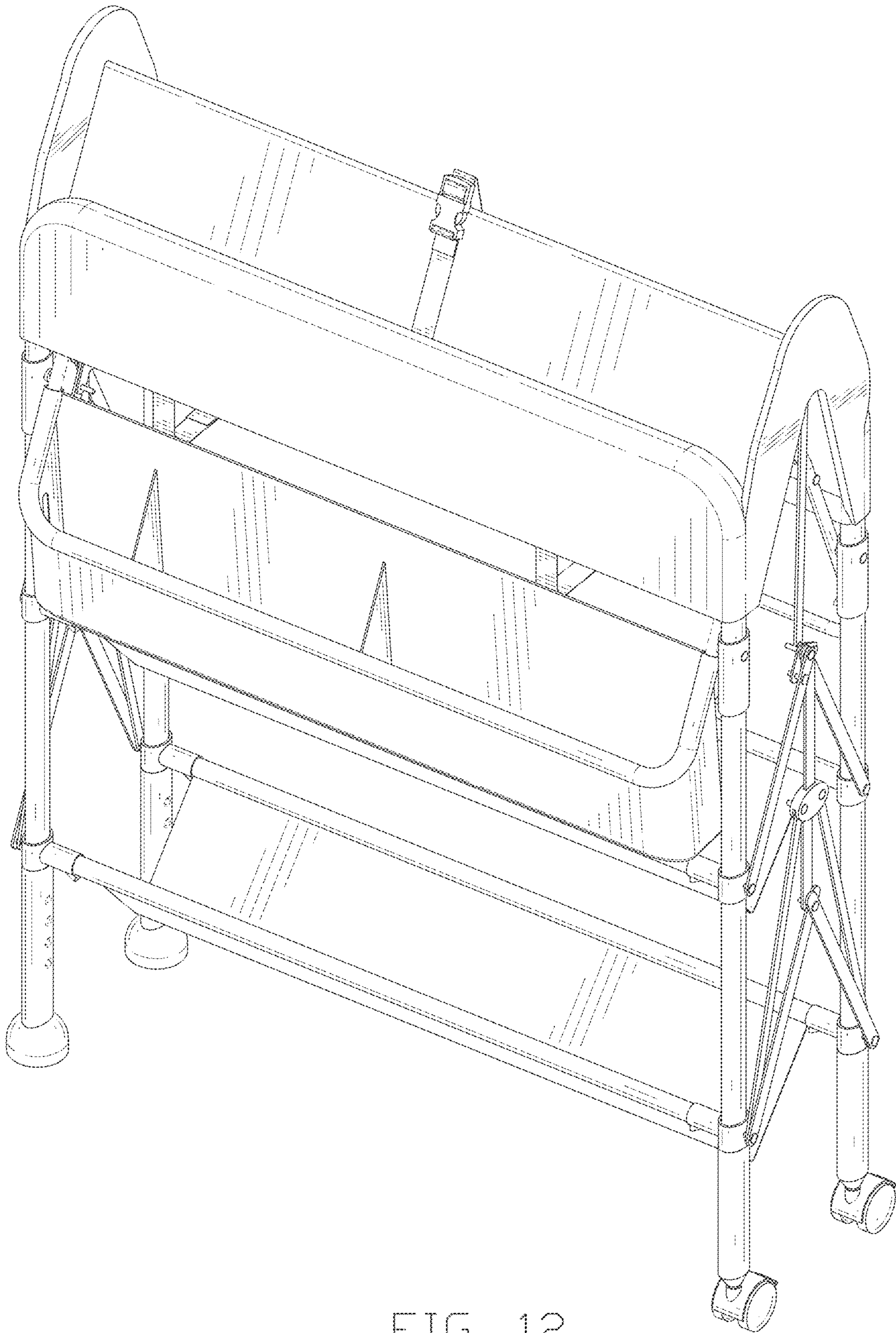


FIG. 12