



US00D977864S

(12) **United States Design Patent** (10) **Patent No.:** **US D977,864 S**
Doshi et al. (45) **Date of Patent:** **** Feb. 14, 2023**

(54) **SOFA**

(71) Applicant: **ARPER S.P.A.**, Monastier di Treviso (IT)

(72) Inventors: **Nipa Devendra Doshi**, Treviso (IT);
Jonathan Towse Levien, Treviso (IT)

(73) Assignee: **ARPER S.P.A.**, Monastier di Treviso (IT)

(**) Term: **15 Years**

(21) Appl. No.: **35/514,823**

(22) Filed: **Jul. 14, 2022**

(80) **Hague Agreement Data**

Int. Filing Date: **Jul. 14, 2022**

Int. Reg. No.: **DM/222174**

Int. Reg. Date: **Jul. 14, 2022**

Int. Reg. Pub. Date: **Jul. 29, 2022**

(30) **Foreign Application Priority Data**

Mar. 17, 2022 (WO) WIPO114838

(51) **LOC (14) Cl.** **06-01**

(52) **U.S. Cl.**
USPC **D6/381**

(58) **Field of Classification Search**
USPC D6/381
CPC A47C 17/00; A47C 17/02; A47C 17/04
See application file for complete search history.

(56) **References Cited**

U.S. PATENT DOCUMENTS

D552,865 S *	10/2007	Natuzzi	D6/381
D621,174 S *	8/2010	Kanhasamy	D6/381
D702,961 S *	4/2014	Natuzzi	D6/381
D718,552 S *	12/2014	Kanhasamy	D6/381
D731,192 S *	6/2015	Sorel	D6/338
D849,439 S *	5/2019	Williams, Jr.	D6/381
D874,176 S *	2/2020	Williams, Jr.	D6/381
D878,795 S *	3/2020	Lipparini	D6/377
D904,772 S *	12/2020	Kanhasamy	D6/381
D948,234 S *	4/2022	Høfeldt	D6/377
D960,603 S *	8/2022	Høfeldt	D6/377

* cited by examiner

Primary Examiner — Charles D Hanson

(74) *Attorney, Agent, or Firm* — Ferguson Case Orr Paterson

(57) **CLAIM**

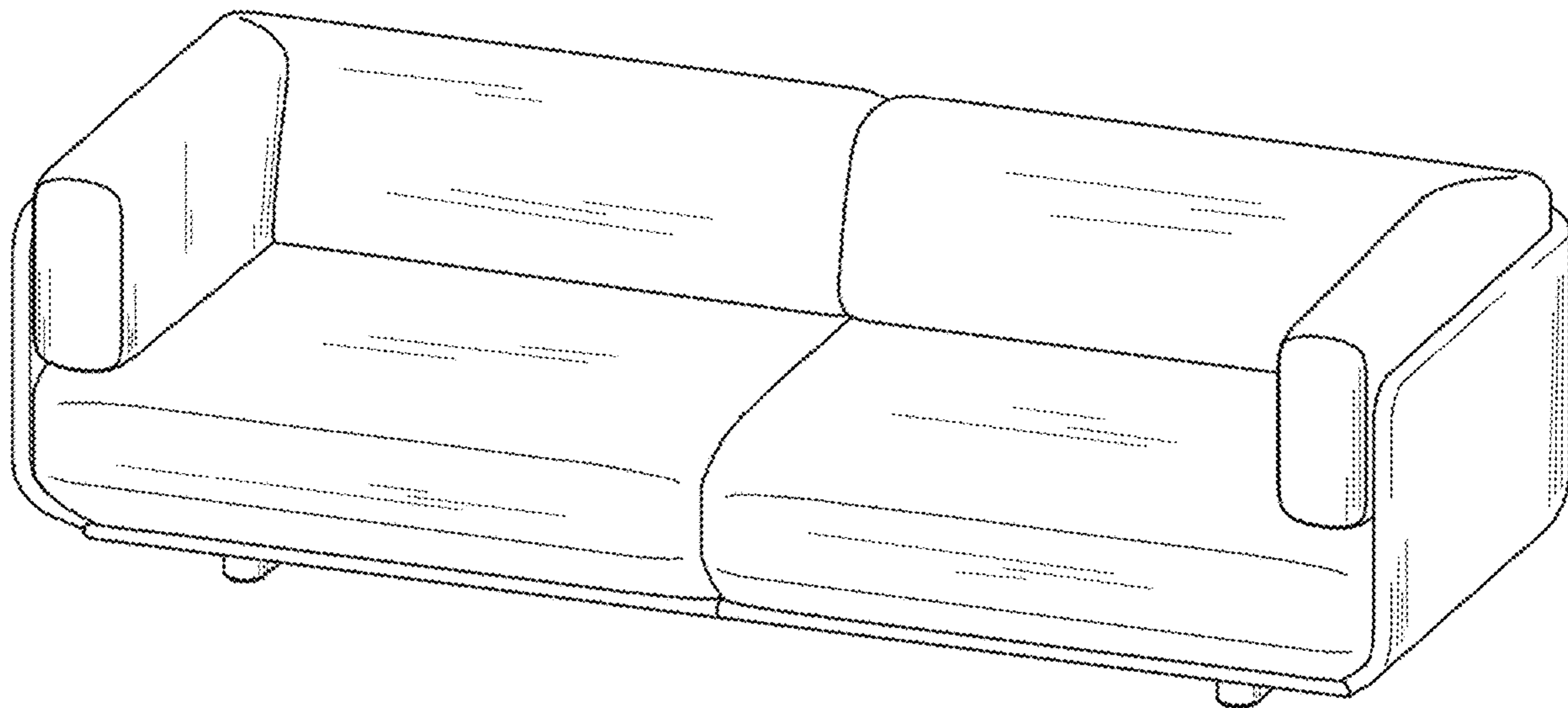
The ornamental design for a sofa, as shown and described.

DESCRIPTION

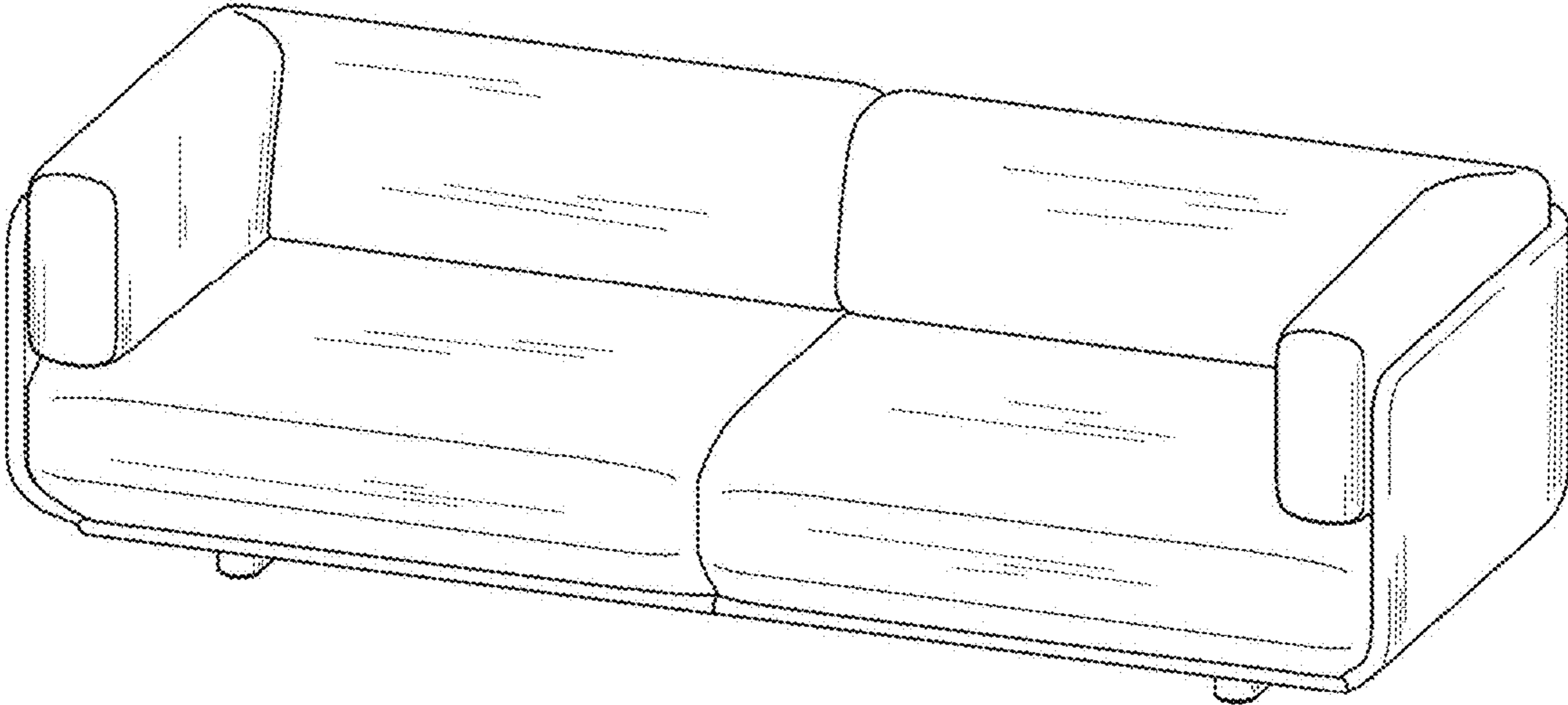
1. Sofa

Fig. 1.1 is a perspective view of the design; fig. 1.2 is a left view thereof; fig. 1.3 is a right view thereof; fig. 1.4 is a front view thereof; fig. 1.5 is a rear view thereof; fig. 1.6 is a top view thereof; fig. 1.7 is a bottom view thereof.

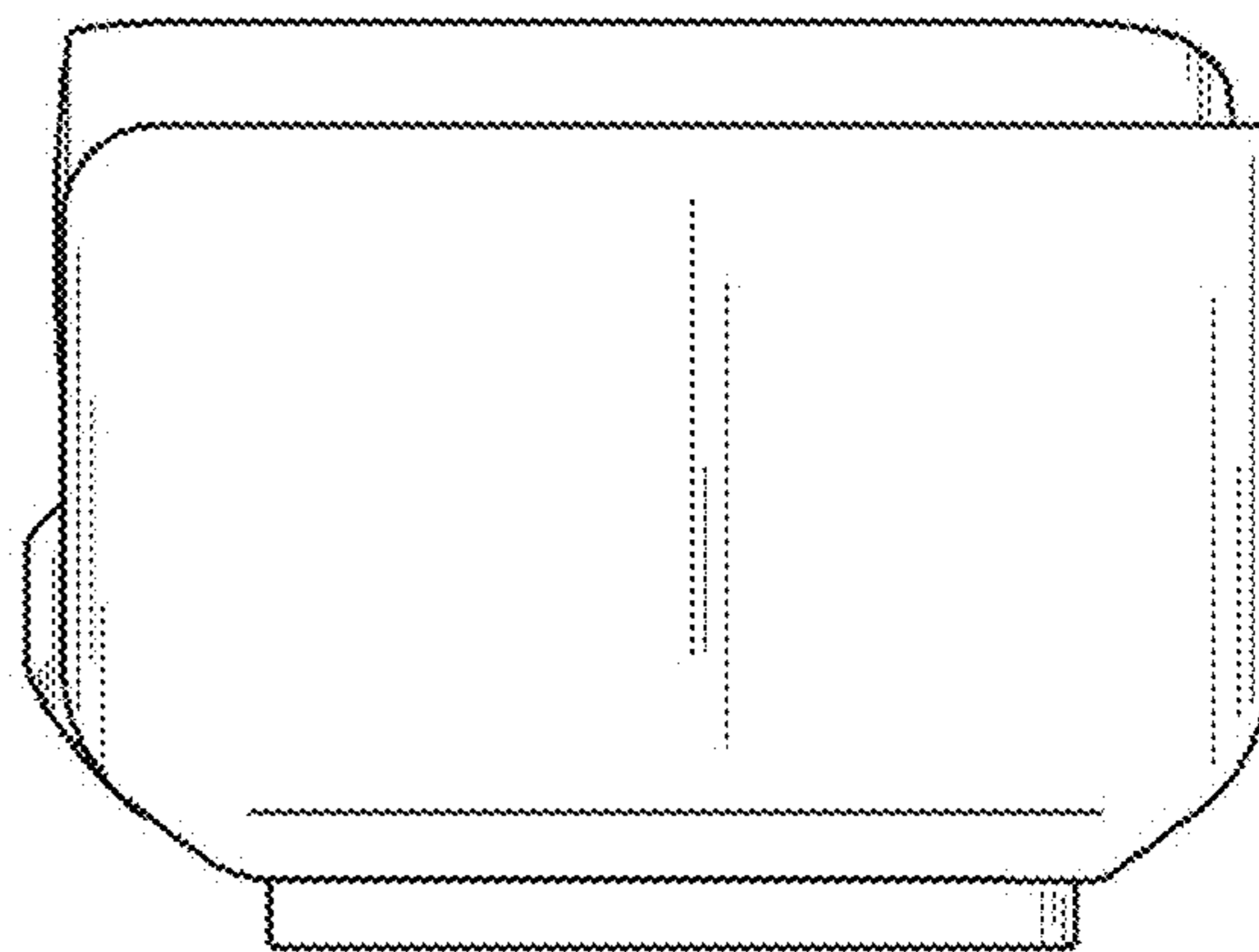
1 Claim, 7 Drawing Sheets



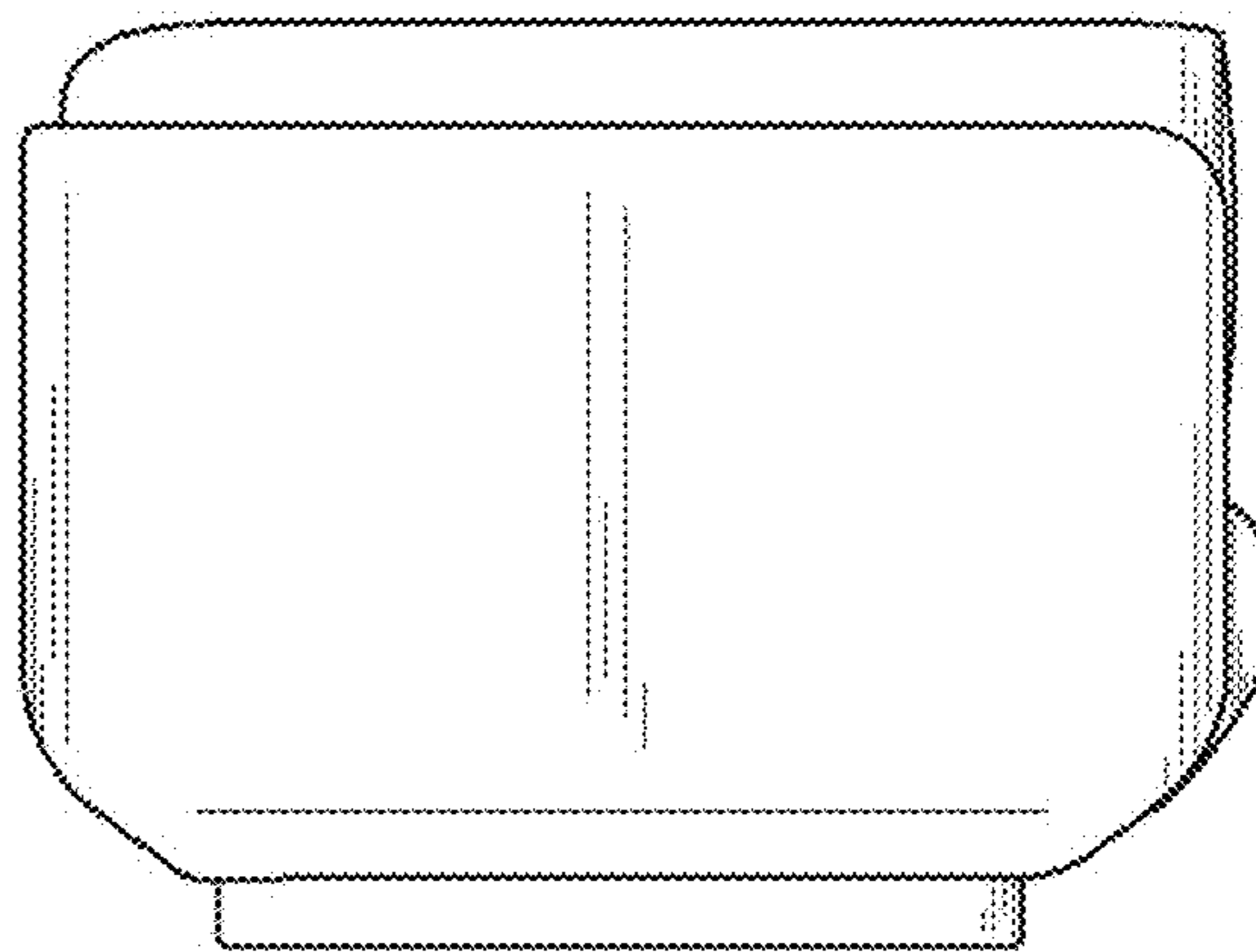
1.1



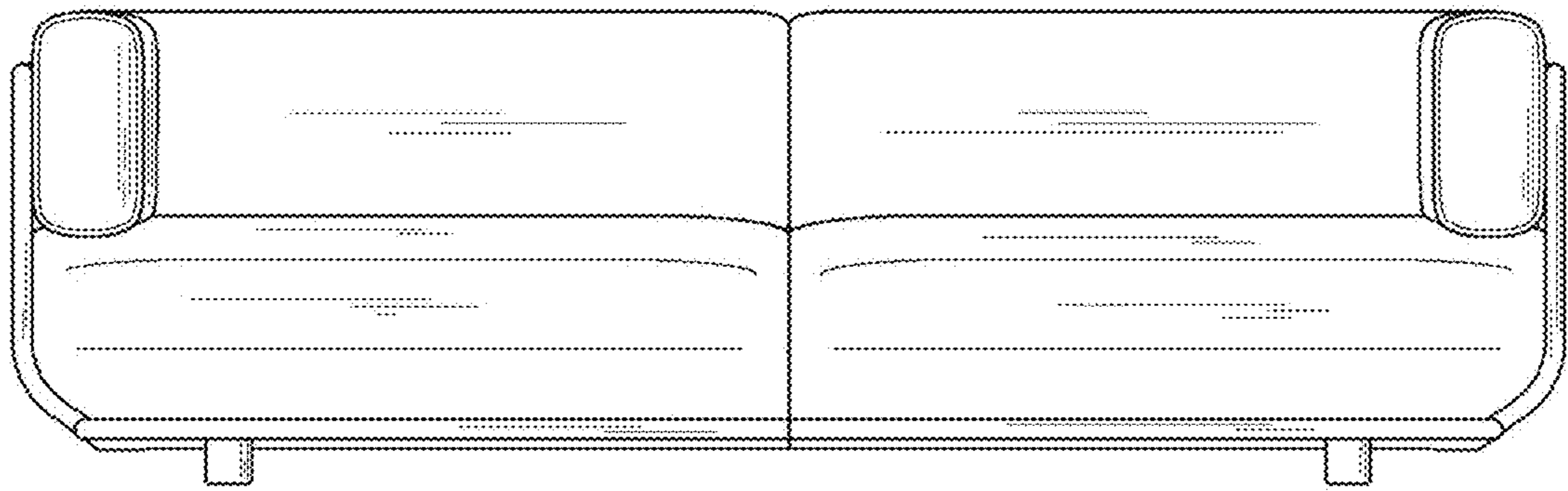
1.2



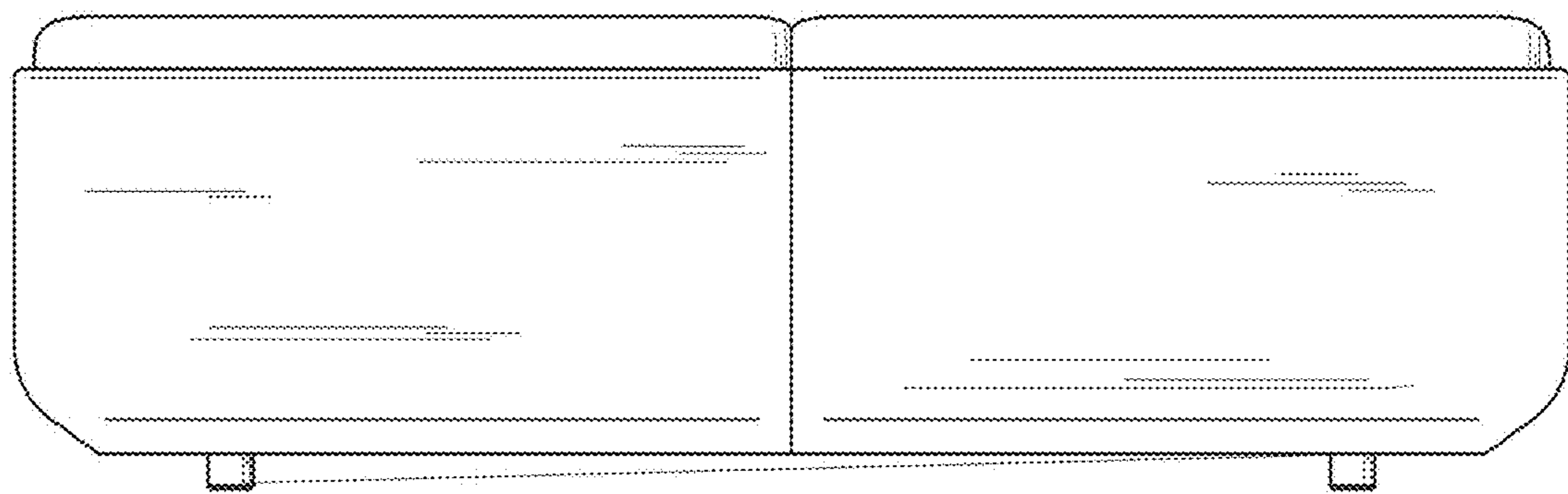
1.3



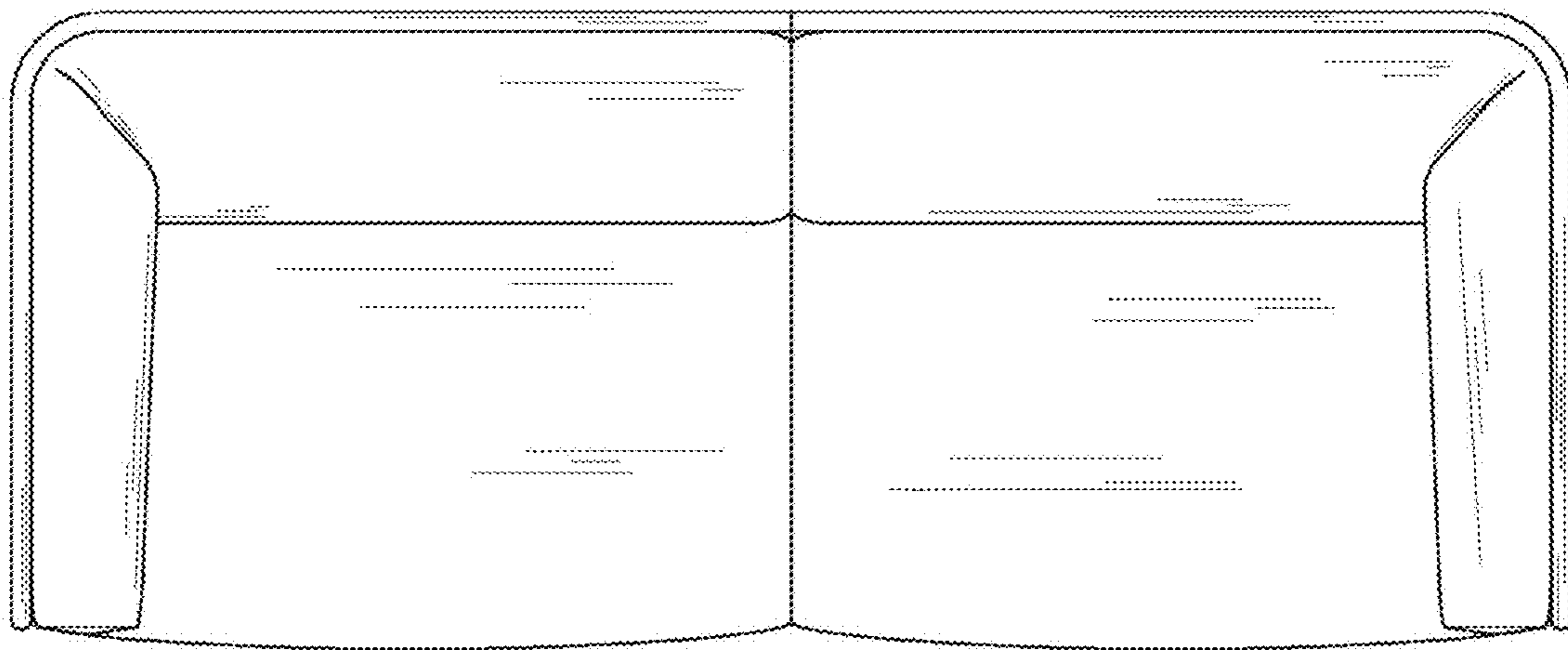
1.4



1.5



1.6



1.7

