



US00D977862S

(12) **United States Design Patent** (10) **Patent No.:** **US D977,862 S**
Beamer et al. (45) **Date of Patent:** **** *Feb. 14, 2023**

(54) **FURNITURE**

(71) Applicant: **HERMAN MILLER, INC.**, Zeeland, MI (US)

(72) Inventors: **Stephanie Beamer**, Brooklyn, NY (US); **Crystal Ellis**, Brooklyn, NY (US); **Hillary Petrie**, Brooklyn, NY (US)

(73) Assignee: **MillerKnoll, Inc.**, Zeeland, MI (US)

(*) Notice: This patent is subject to a terminal disclaimer.

(**) Term: **15 Years**

(21) Appl. No.: **29/748,190**

(22) Filed: **Aug. 27, 2020**

(51) **LOC (14) Cl.** **06-01**

(52) **U.S. Cl.**

USPC **D6/381**; D6/334

(58) **Field of Classification Search**

USPC D6/334-337, 349, 369, 374, 375, 377, D6/381

CPC .. A47C 7/24; A47C 7/54; A47C 7/541; A47C 7/546; A47C 17/00; A47C 17/02; A47C 17/04; A47C 17/045; A47C 17/12; A47C 17/13; A47C 17/132; A47C 17/134; A47C 17/136; A47C 17/16; A47C 17/162; A47C 17/17

See application file for complete search history.

(56) **References Cited**

U.S. PATENT DOCUMENTS

D220,997 S *	6/1971	Milburn et al.	D6/335
D267,056 S *	11/1982	Lopez-Benitez	D6/373
D360,310 S *	7/1995	Starnberg	D6/334
D427,445 S	7/2000	Gomez		
D448,946 S *	10/2001	Goetz	D6/381
D484,712 S	1/2004	Gomez		

D484,713 S *	1/2004	Gomez	D6/381
D485,086 S *	1/2004	Gomez	D6/381
D536,190 S *	2/2007	Oldham	D6/381

(Continued)

OTHER PUBLICATIONS

Ryker white sofa [online], [site visited 08/112/2021]. Available from internet, URL: <<https://www.cb2.com/ryker-white-sofa/s108061>> (Year: 2021).*

(Continued)

Primary Examiner — Cynthia Ramirez

Assistant Examiner — Xavier Marti-Santos

(74) *Attorney, Agent, or Firm* — Michael Best & Friedrich LLP

(57) **CLAIM**

We claim the ornamental design for furniture, as shown and described.

DESCRIPTION

FIG. 1 is a perspective view of furniture according to an embodiment of the invention.

FIG. 2 is a front view of the furniture of FIG. 1.

FIG. 3 is a rear view of the furniture of FIG. 1.

FIG. 4 is a first side view of the furniture of FIG. 1.

FIG. 5 is a second side view of the furniture of FIG. 1.

FIG. 6 is a top view of the furniture of FIG. 1.

FIG. 7 is a bottom view of the furniture of FIG. 1.

FIG. 8 is a perspective of furniture according to another embodiment of the invention.

FIG. 9 is a front view of the furniture of FIG. 8.

FIG. 10 is a rear view of the furniture of FIG. 8.

FIG. 11 is a first side view of the furniture of FIG. 8.

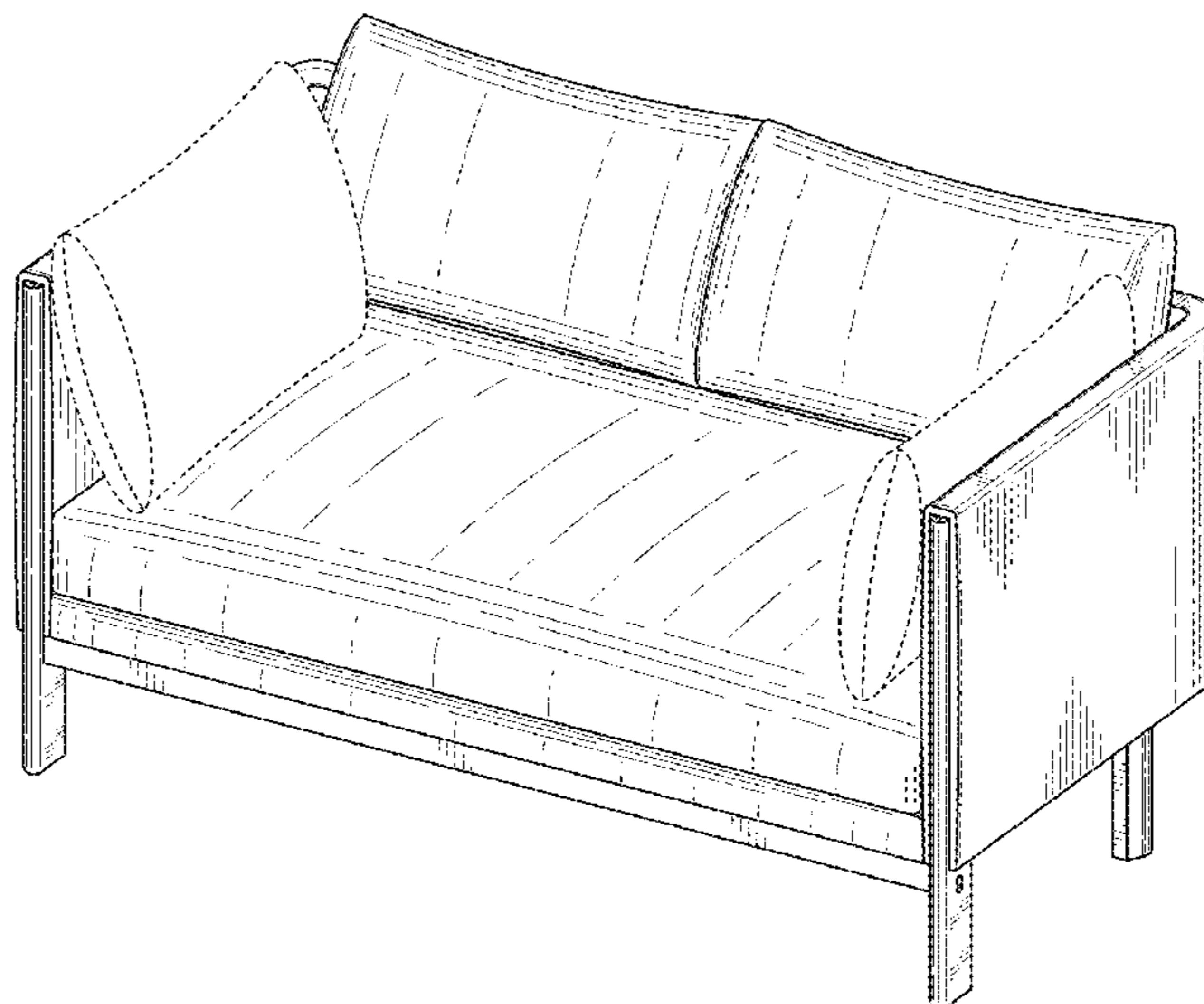
FIG. 12 is a second side view of the furniture of FIG. 8.

FIG. 13 is a top view of the furniture of FIG. 8; and,

FIG. 14 is a bottom view of the furniture of FIG. 8.

Portions of the furniture shown in broken lines are for illustrative purposes only and form no part of the claimed design.

1 Claim, 14 Drawing Sheets



(56)

References Cited

U.S. PATENT DOCUMENTS

D698,179 S	*	1/2014	Nguyen	D6/381
D726,436 S	*	4/2015	Podsiadlo	D6/381
D798,072 S	*	9/2017	Massaud	D6/334
D809,316 S		2/2018	Rockwell et al.	
D824,690 S		8/2018	Hale	
D871,791 S	*	1/2020	Carter	D6/377
D884,380 S		5/2020	Killinger	
D889,877 S	*	7/2020	Hale	D6/381
D890,542 S	*	7/2020	Bellini	D6/377
D897,715 S		10/2020	Smrstick	
D914,392 S		3/2021	Banda et al.	

OTHER PUBLICATIONS

Howard sofa [online], [site visited 08/112/2021]. Available from internet, URL: <https://www.eggcollective.com/howard-sofa_h> (Year: 2021).*

Emmy Sofa [online], [site visited 08/112/2021]. Available from internet, URL: <https://www.dwr.com/living-sofas-sectionals/emmy-sofa/2516377.html?lang=en_US> (Year: 2021).*

ColourForm Sofa [online], [site visited 08/112/2021]. Available from internet, URL: <<https://www.hermanmiller.com/products/seating/lounge-seating/colourform-sofa-group/>> (Year: 2021).*

* cited by examiner

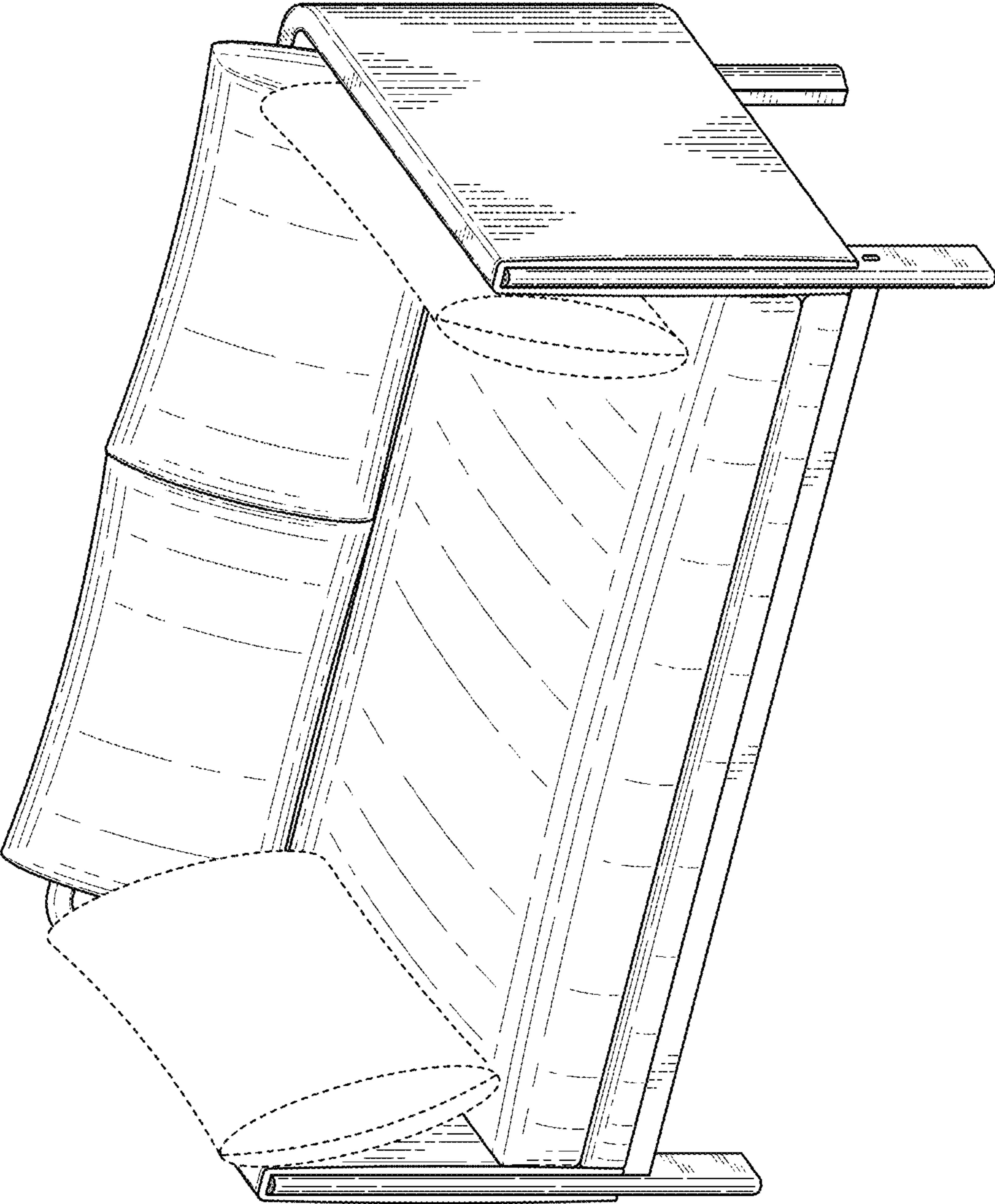


FIG. 1

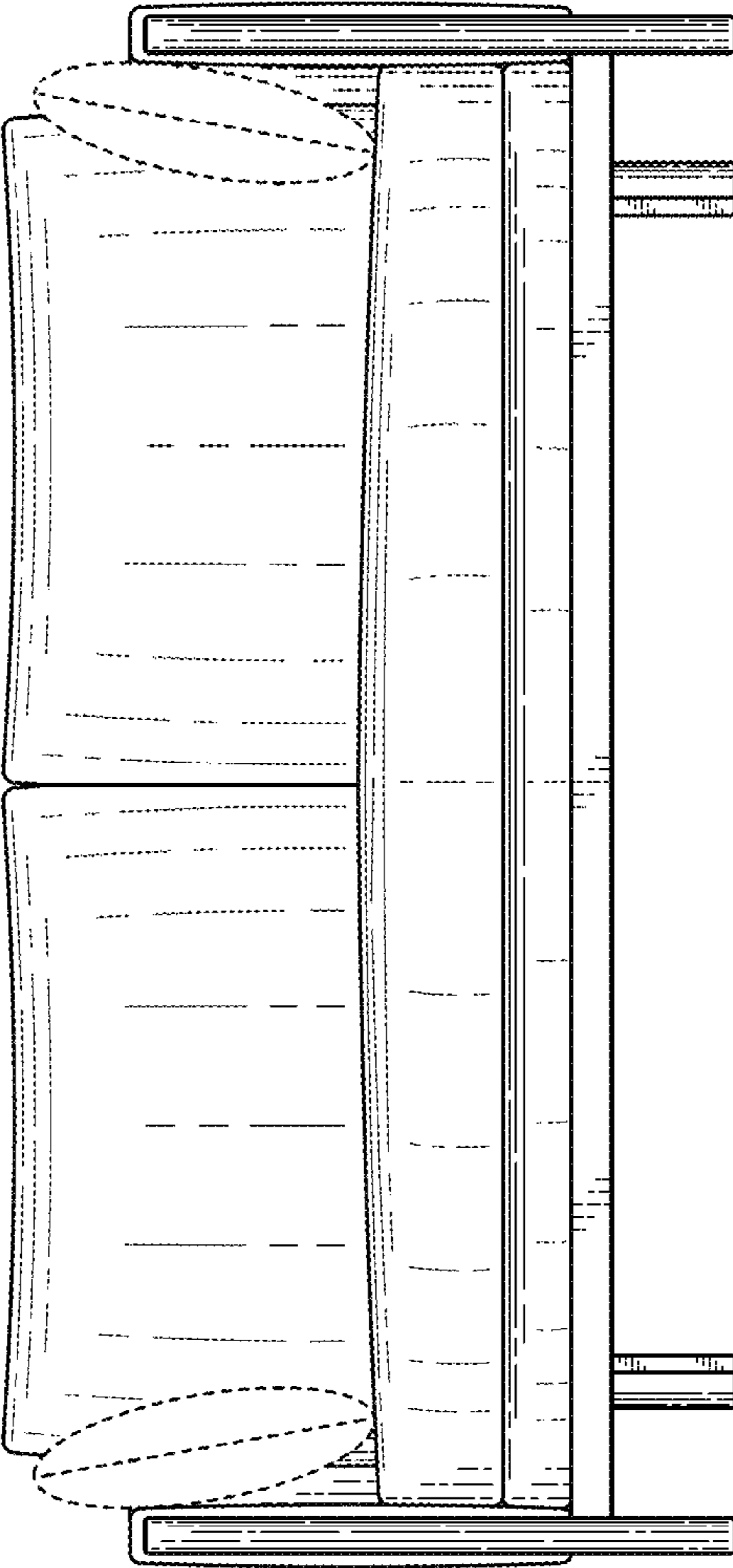


FIG. 2

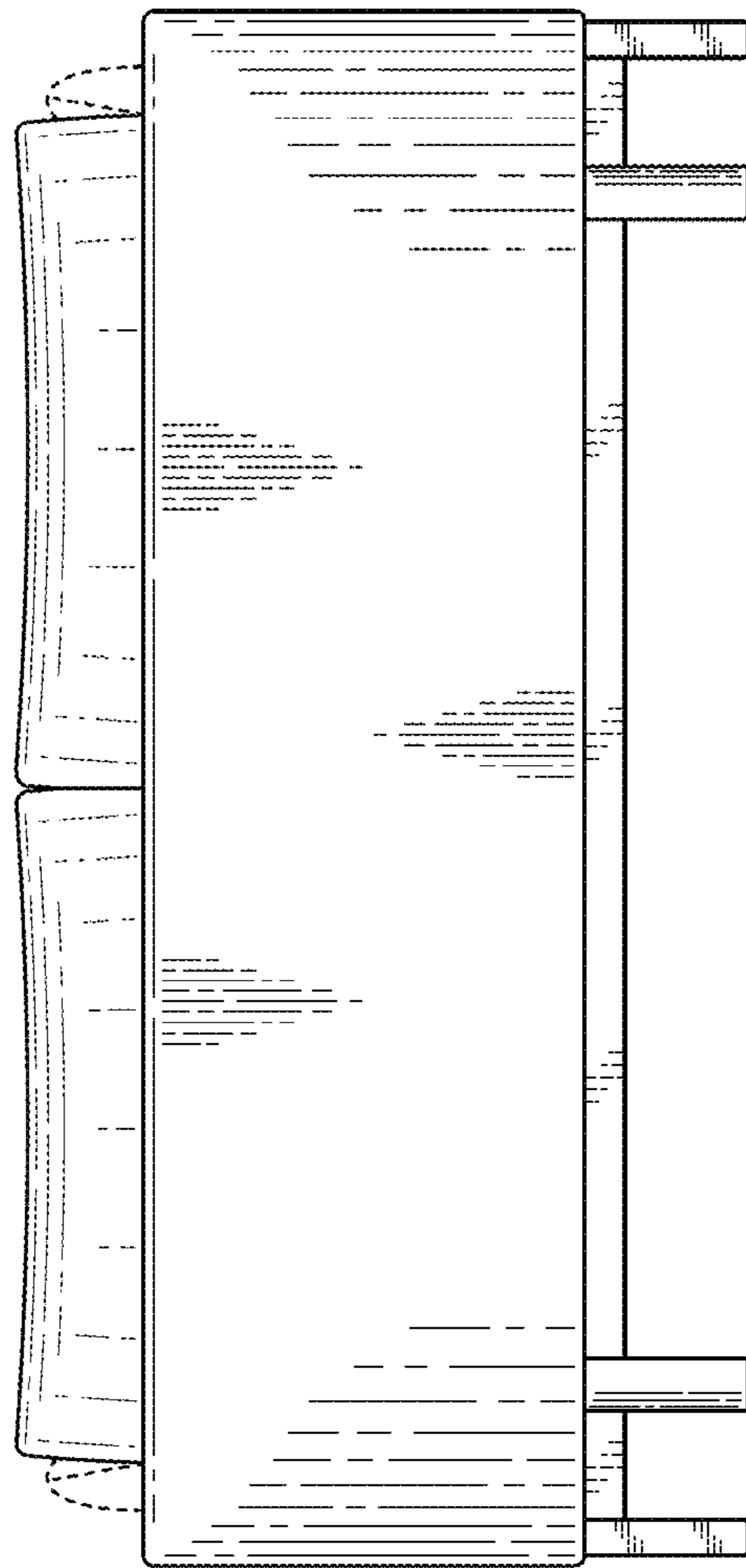


FIG. 3

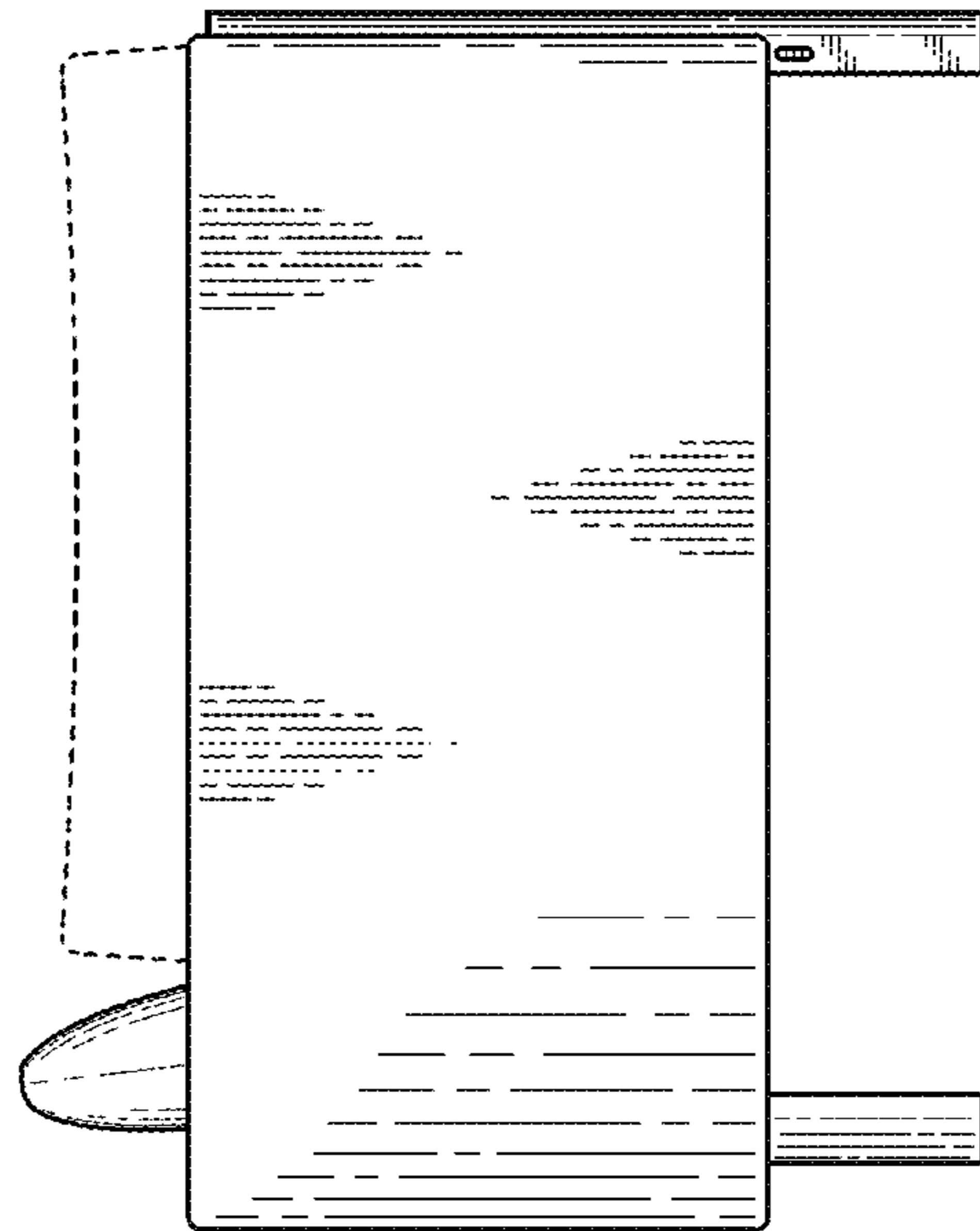


FIG. 4

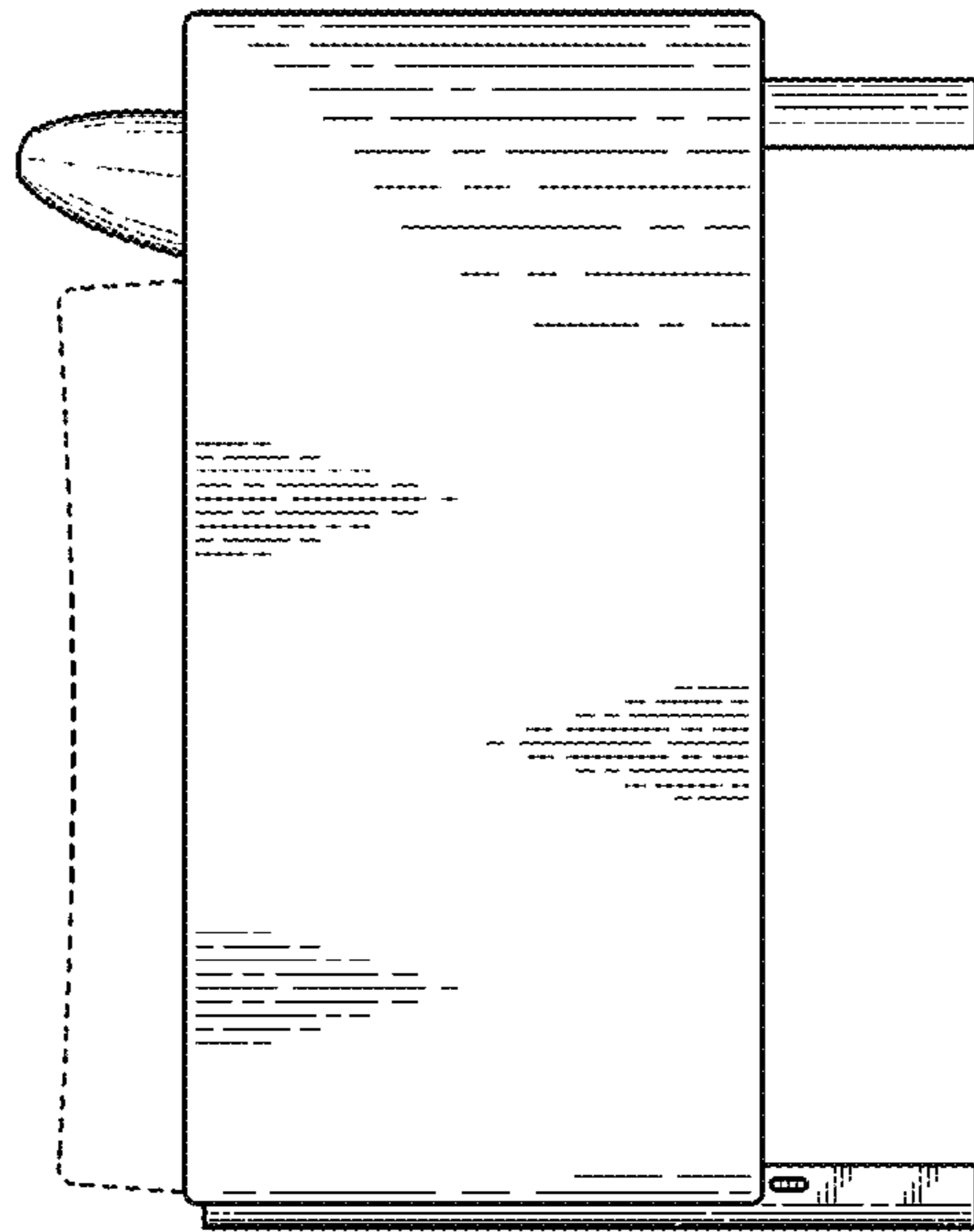


FIG. 5

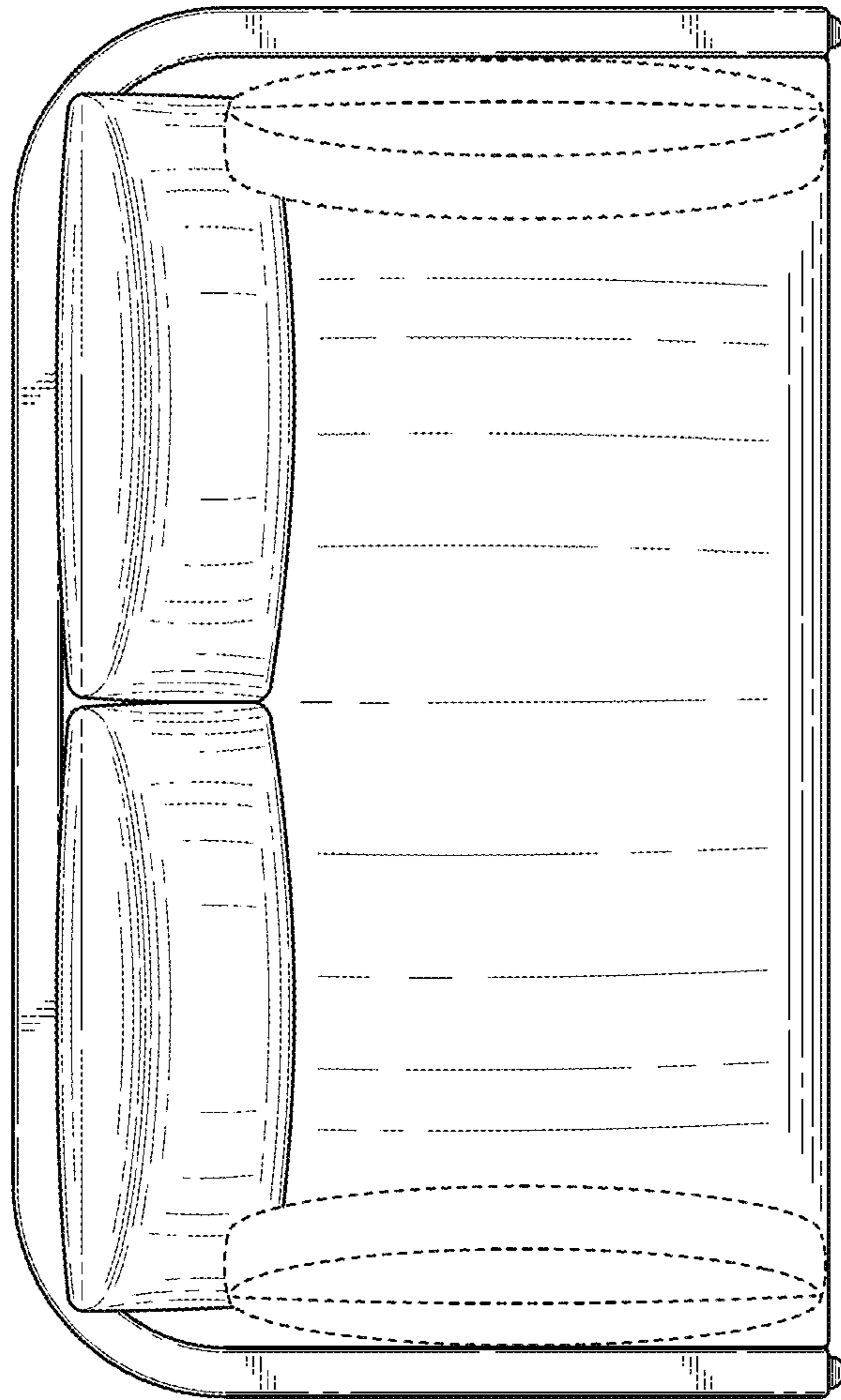


FIG. 6

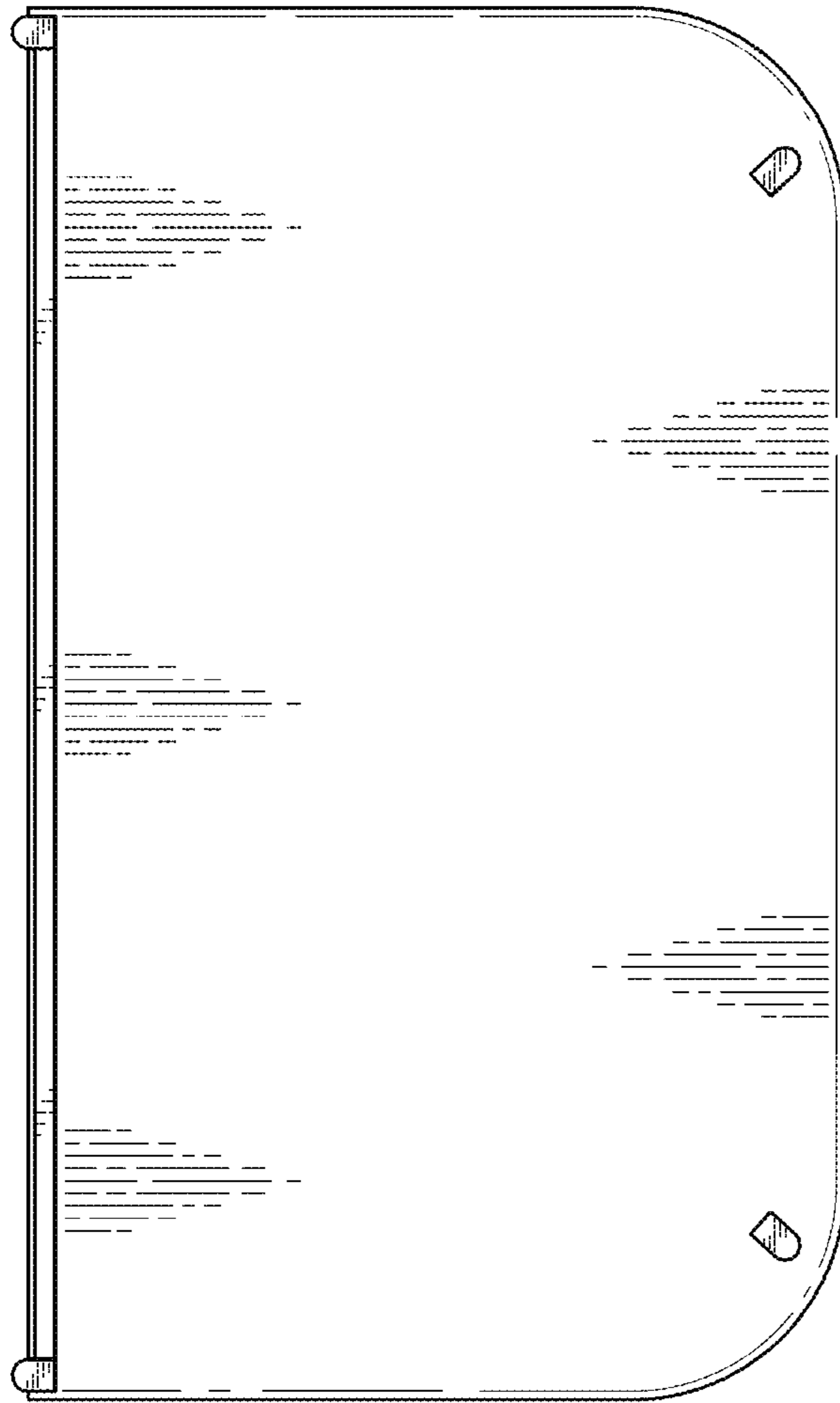


FIG. 7

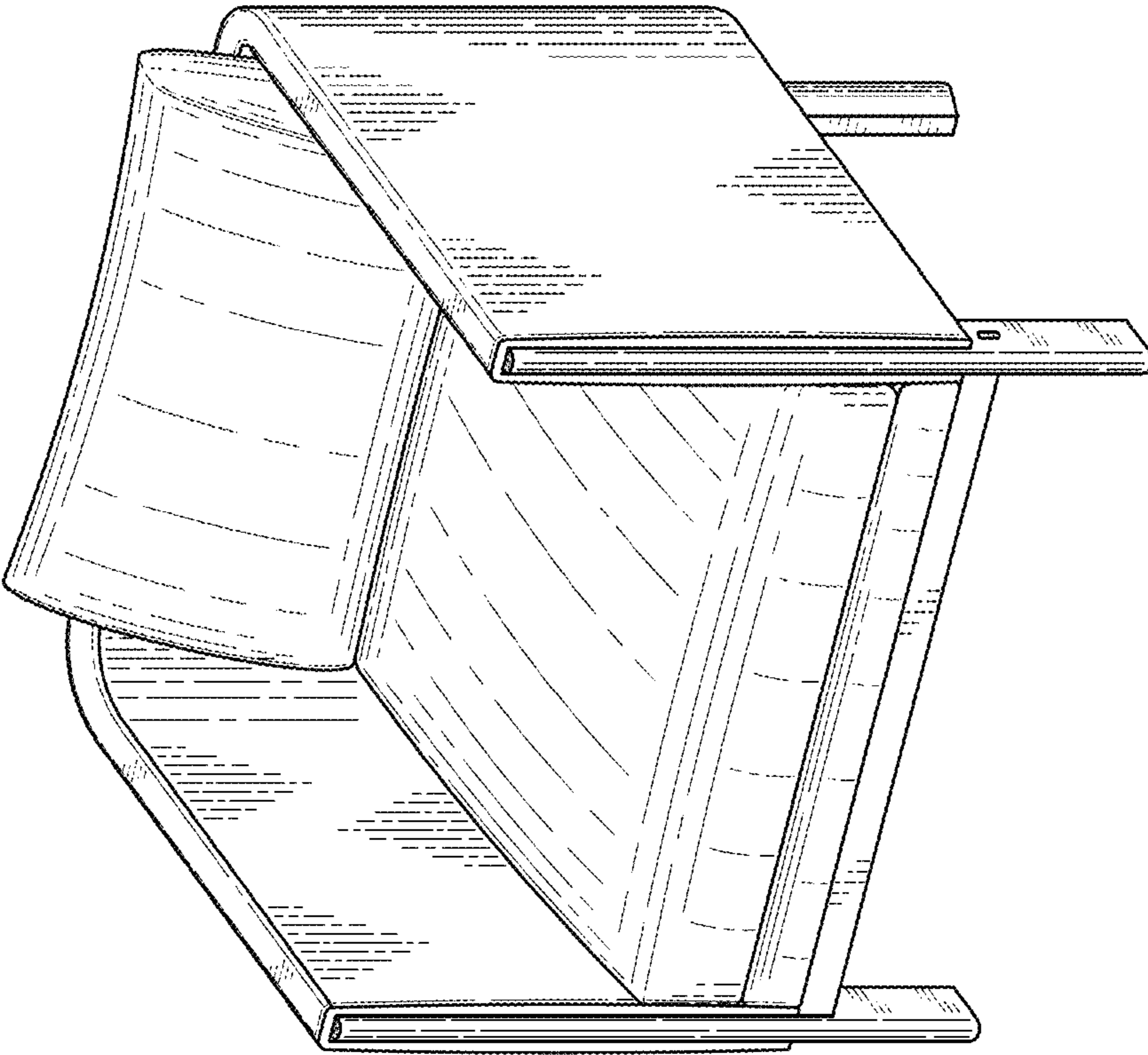


FIG. 8

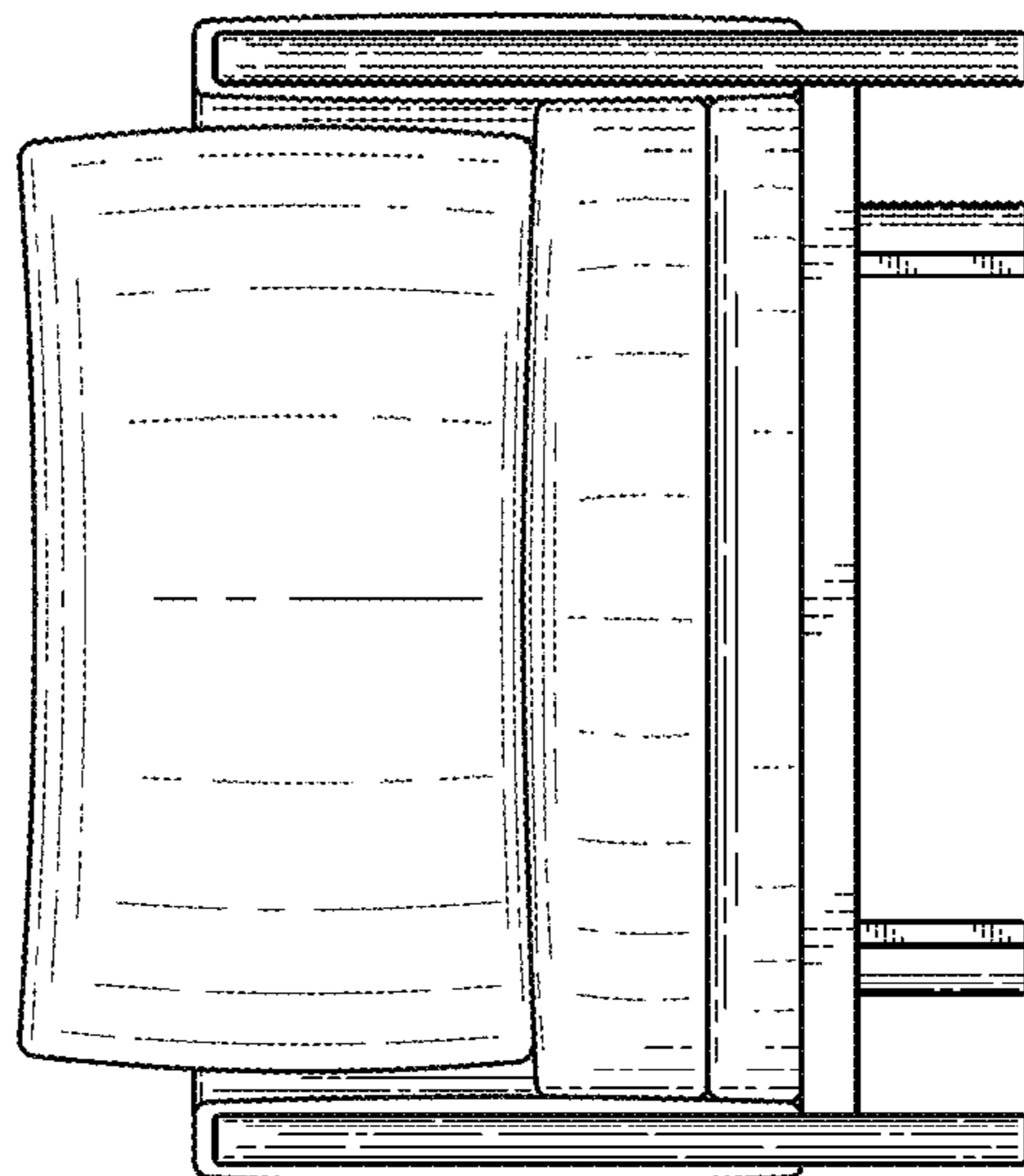


FIG. 9

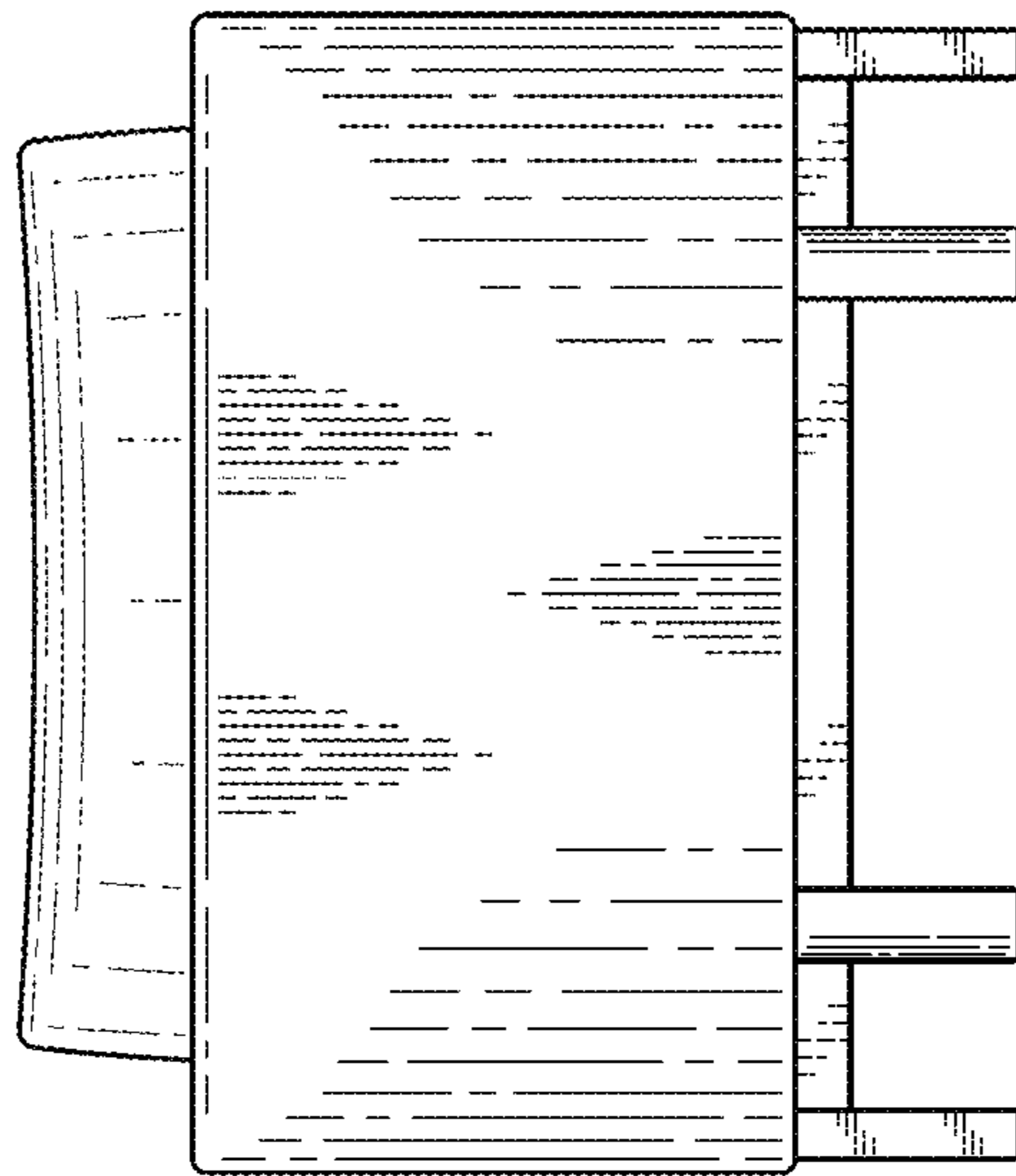


FIG. 10

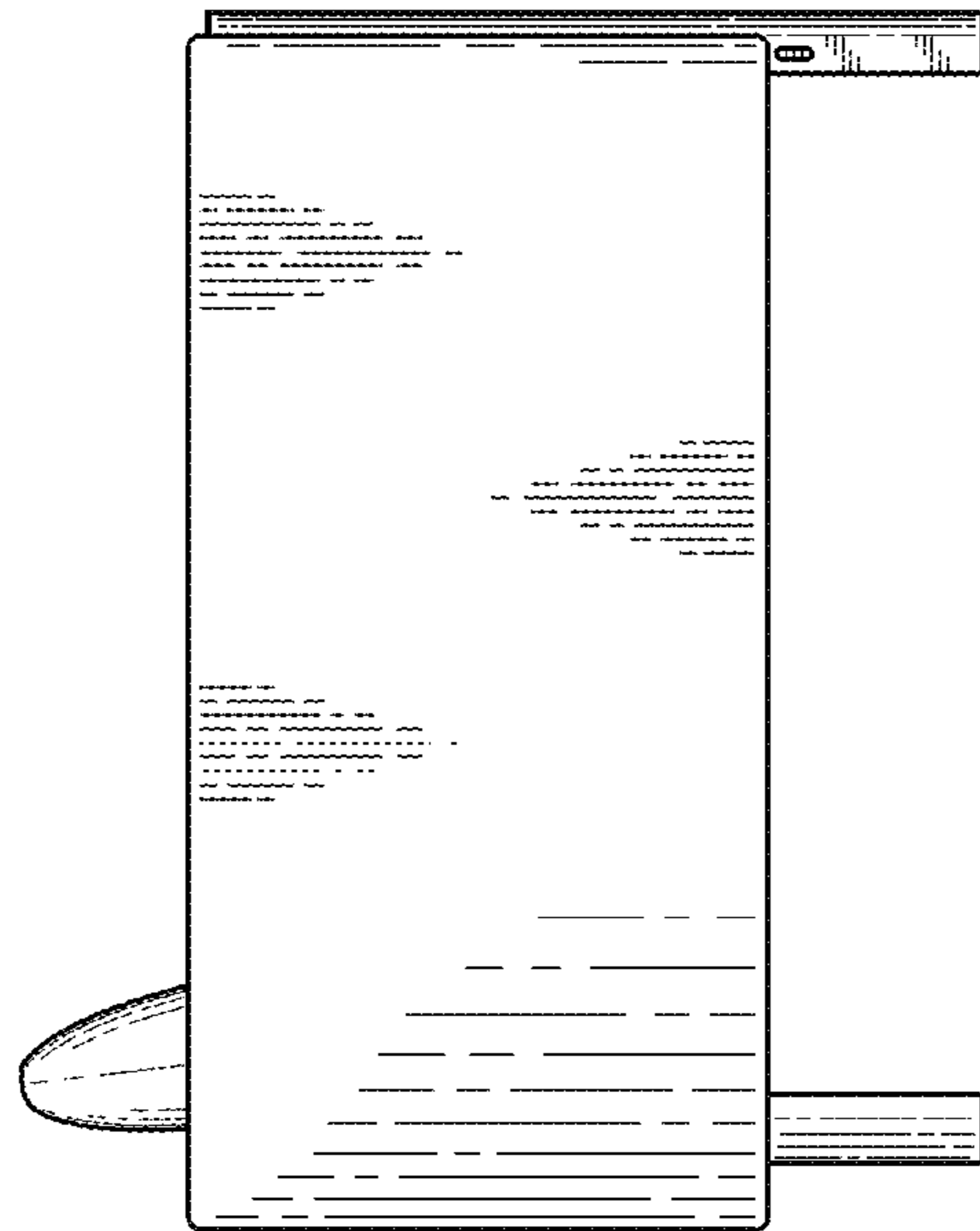


FIG. 11

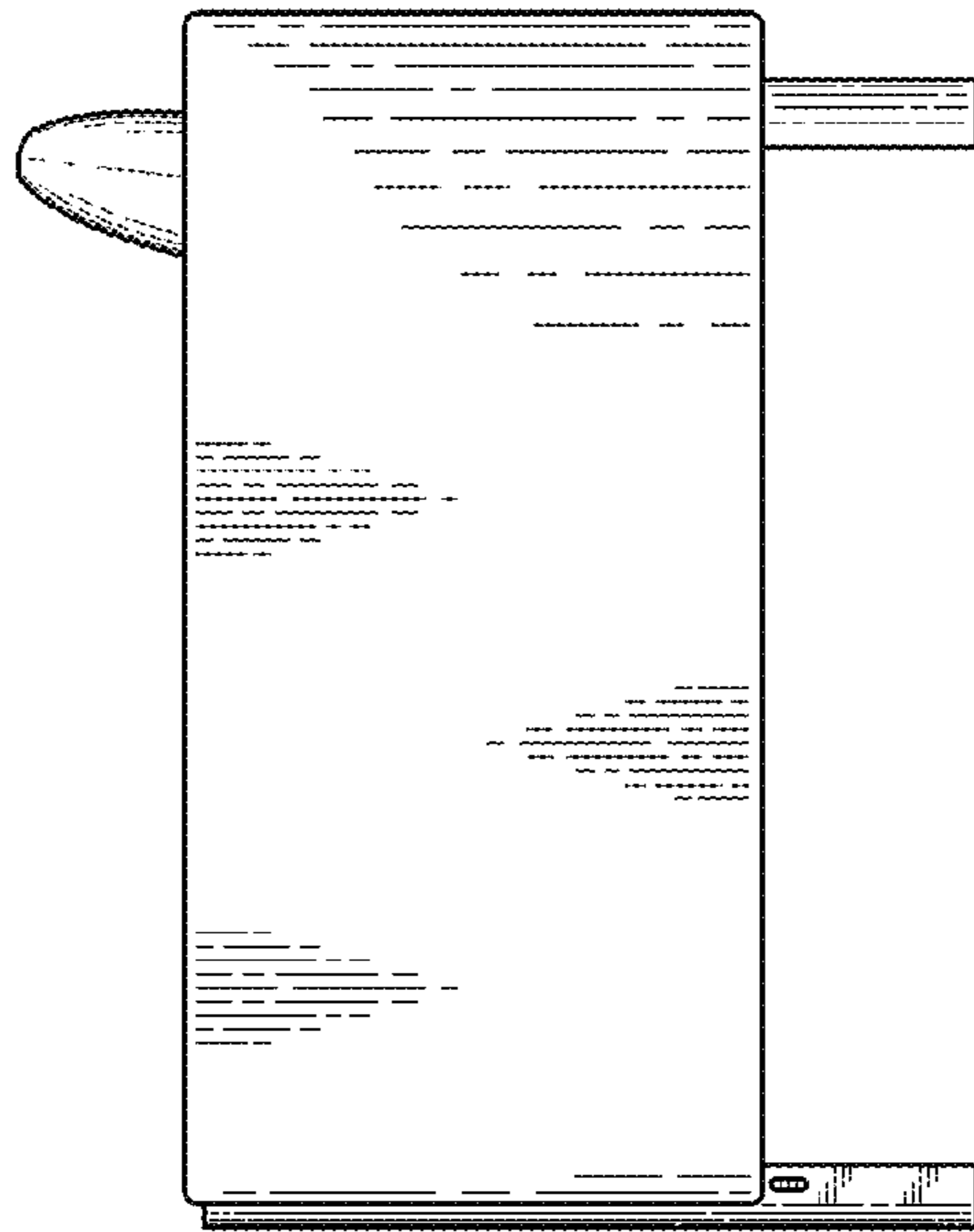


FIG. 12

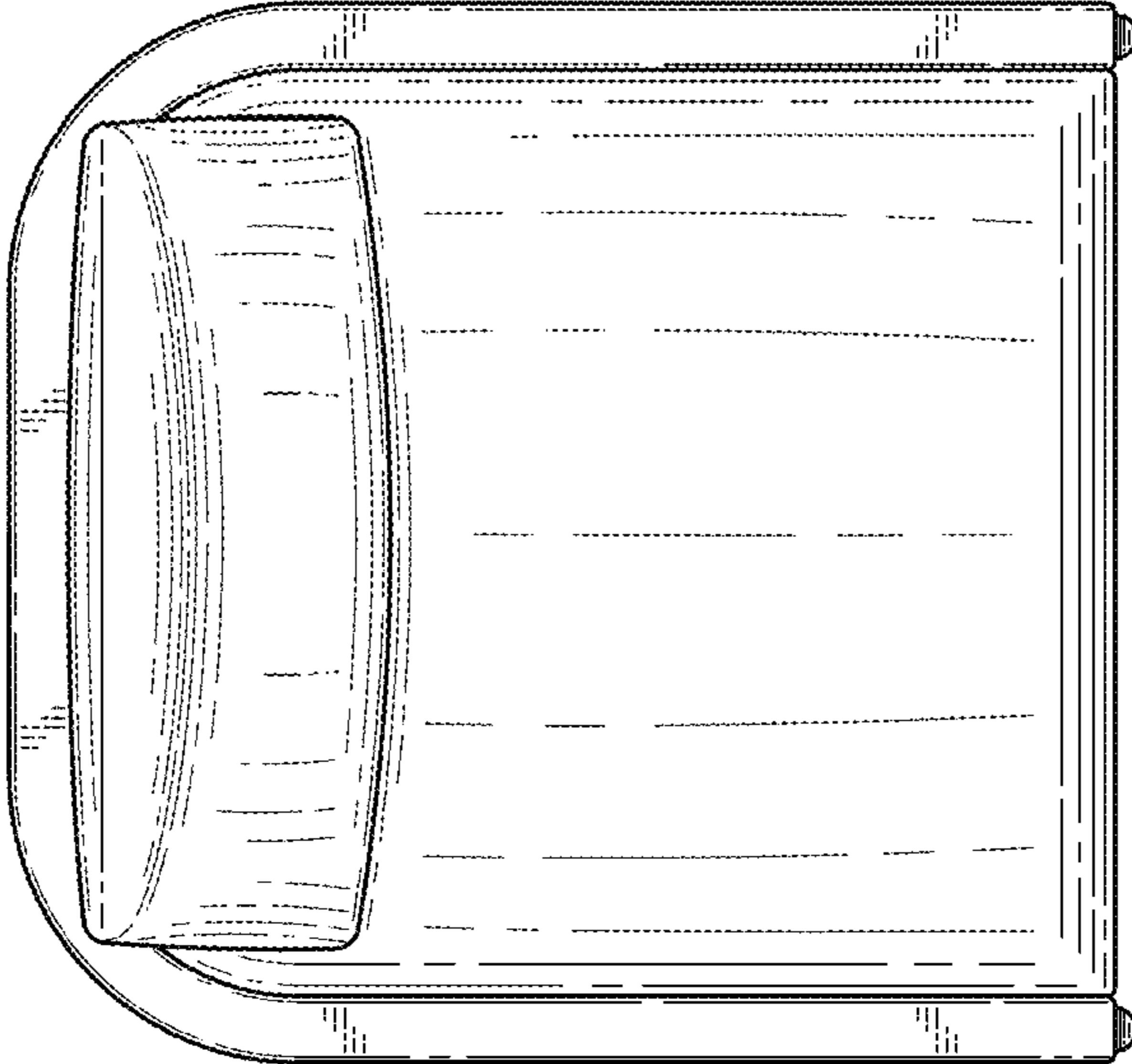


FIG. 13

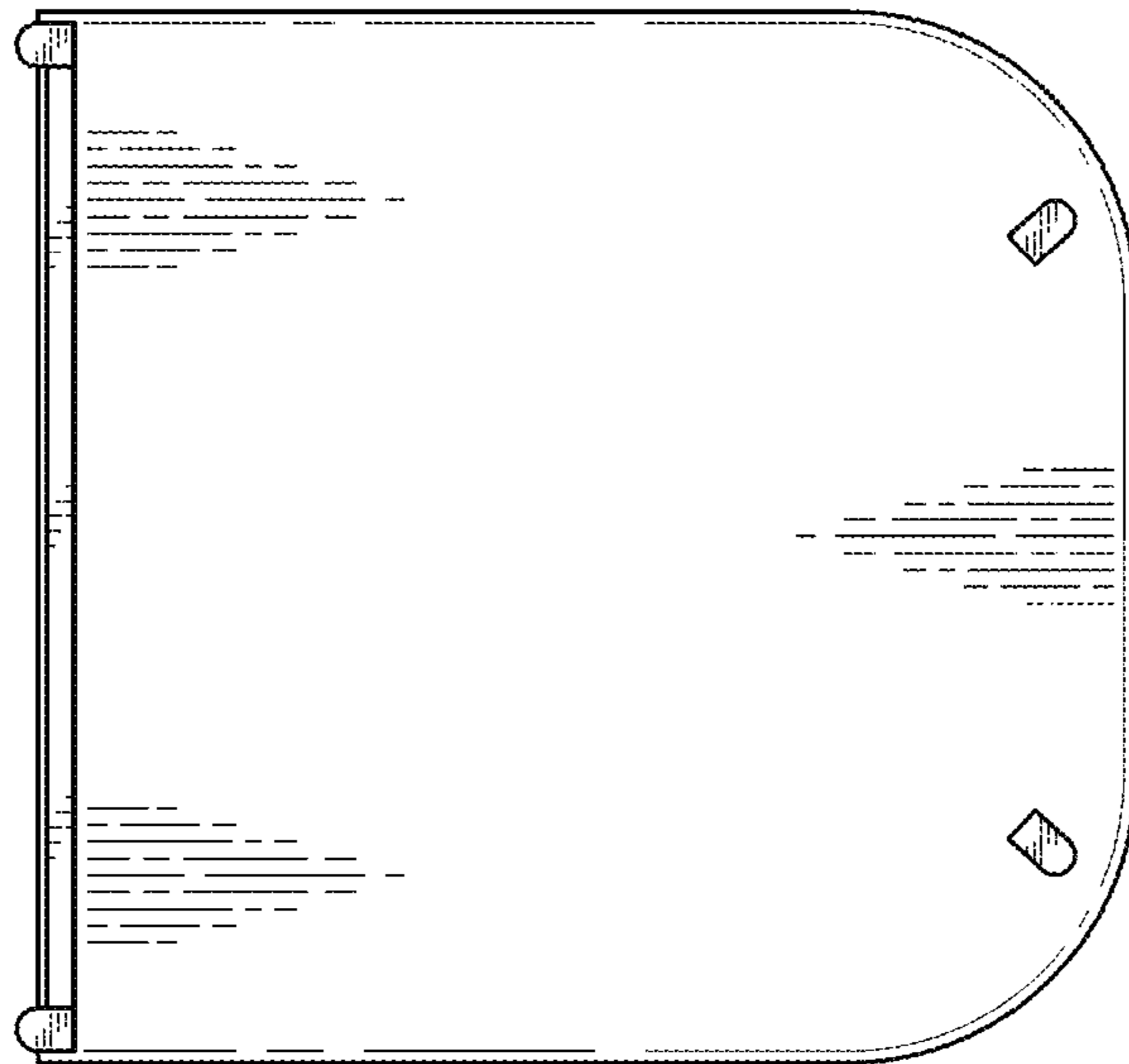


FIG. 14