



US00D977857S

(12) **United States Design Patent**  
**Chang**

(10) **Patent No.:** **US D977,857 S**

(45) **Date of Patent:** **\*\* Feb. 14, 2023**

(54) **CAMPING CHAIR**

(71) Applicant: **Hsiu-Ming Chang**, Tainan (TW)

(72) Inventor: **Hsiu-Ming Chang**, Tainan (TW)

(\*\*) Term: **15 Years**

(21) Appl. No.: **29/766,406**

(22) Filed: **Jan. 15, 2021**

(51) **LOC (14) Cl.** ..... **06-01**

(52) **U.S. Cl.**  
USPC ..... **D6/368; D6/353**

(58) **Field of Classification Search**  
USPC ..... D6/353, 363, 374, 368, 708.16, 716.1,  
D6/367, 375  
CPC .... A47C 4/02; A47C 4/28; A47C 4/30; A47C  
4/42; A47C 3/18  
See application file for complete search history.

(56) **References Cited**

**U.S. PATENT DOCUMENTS**

2,712,349	A *	7/1955	Le Voir	.....	A47C 5/06 297/440.11
4,258,951	A *	3/1981	Groom	.....	A47C 4/286 297/16.2
D261,332	S *	10/1981	Rohr	.....	D6/363
4,605,261	A *	8/1986	Lee	.....	A47C 4/286 297/16.2
D433,244	S *	11/2000	Zheng	.....	D6/367
D610,817	S *	3/2010	Degenhardt	.....	D6/334
D833,768	S *	11/2018	Jin	.....	D6/368
D848,829	S *	5/2019	Zhu	.....	D8/382
D889,155	S *	7/2020	Xia	.....	D6/368
D891,808	S *	8/2020	Zhu	.....	D6/376
D911,733	S *	3/2021	Sullivan	.....	D6/375

D927,210	S *	8/2021	Chang	.....	D6/368
D927,211	S *	8/2021	Chang	.....	D6/368
2012/0104805	A1 *	5/2012	Lah	.....	A47C 9/105 297/16.1
2016/0113402	A1 *	4/2016	Lee	.....	A47C 4/42 297/16.2
2017/0311723	A1 *	11/2017	Lenhart	.....	A47C 4/42
2021/0196048	A1 *	7/2021	Leach	.....	A47C 4/286
2022/0000268	A1 *	1/2022	Davis	.....	A47C 4/34

**OTHER PUBLICATIONS**

Yizi Lite 750g Hiking Backpacking Chair, available in Amazon.com, date first available Apr. 13, 2021 [online], Retrieved on Feb. 22, 2022 from URL: <https://www.amazon.com/Ultralight-Backpacking-Lightweight-Portable-Collapsible/dp/B08Q3FYCJS> (Year: 2021).\*

\* cited by examiner

*Primary Examiner* — Vy N Koenig  
*Assistant Examiner* — Michelle M Reeves

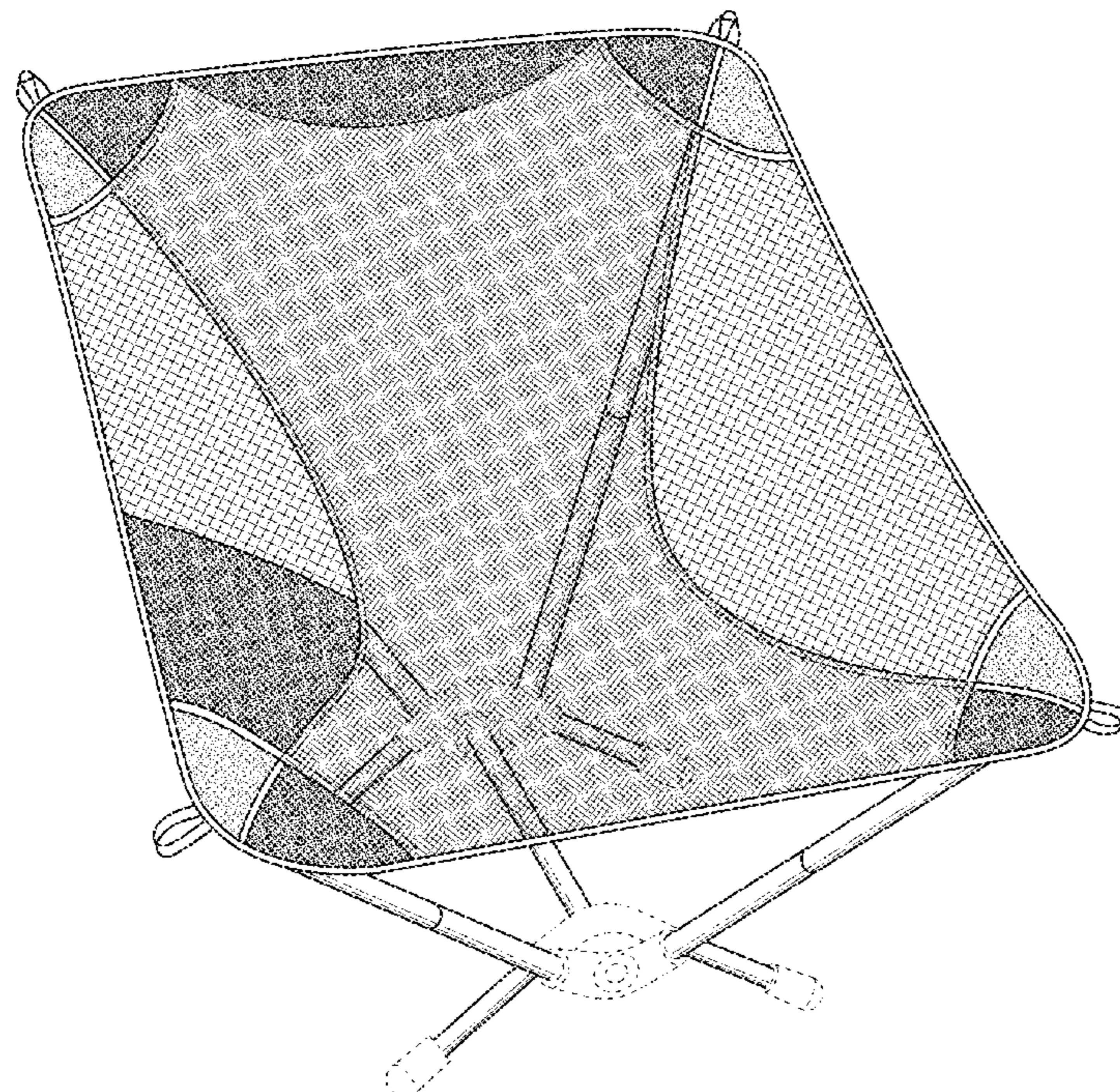
(57) **CLAIM**

The ornamental design for a camping chair, as shown and described.

**DESCRIPTION**

FIG. 1 is a perspective view of a camping chair showing my new design;  
FIG. 2 is a front elevational view thereof;  
FIG. 3 is a rear elevational view thereof;  
FIG. 4 is a left side elevational view thereof;  
FIG. 5 is a right side elevational view thereof;  
FIG. 6 is a top plan view thereof; and,  
FIG. 7 is a bottom plan view thereof.  
The broken lines shown in FIGS. 1-7 depict environmental subject matter and form no part of the claimed design.

**1 Claim, 7 Drawing Sheets**



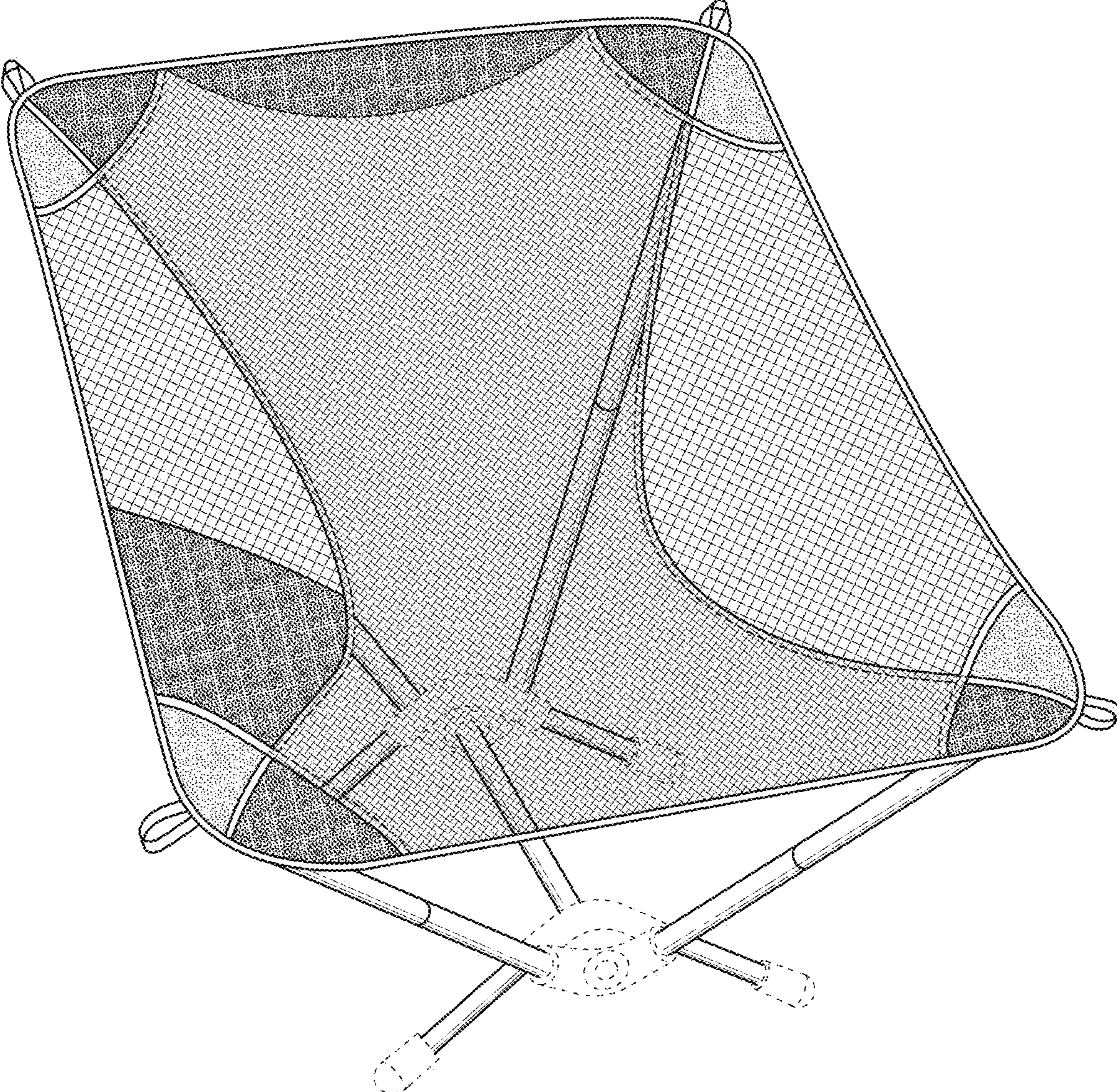


FIG. 1

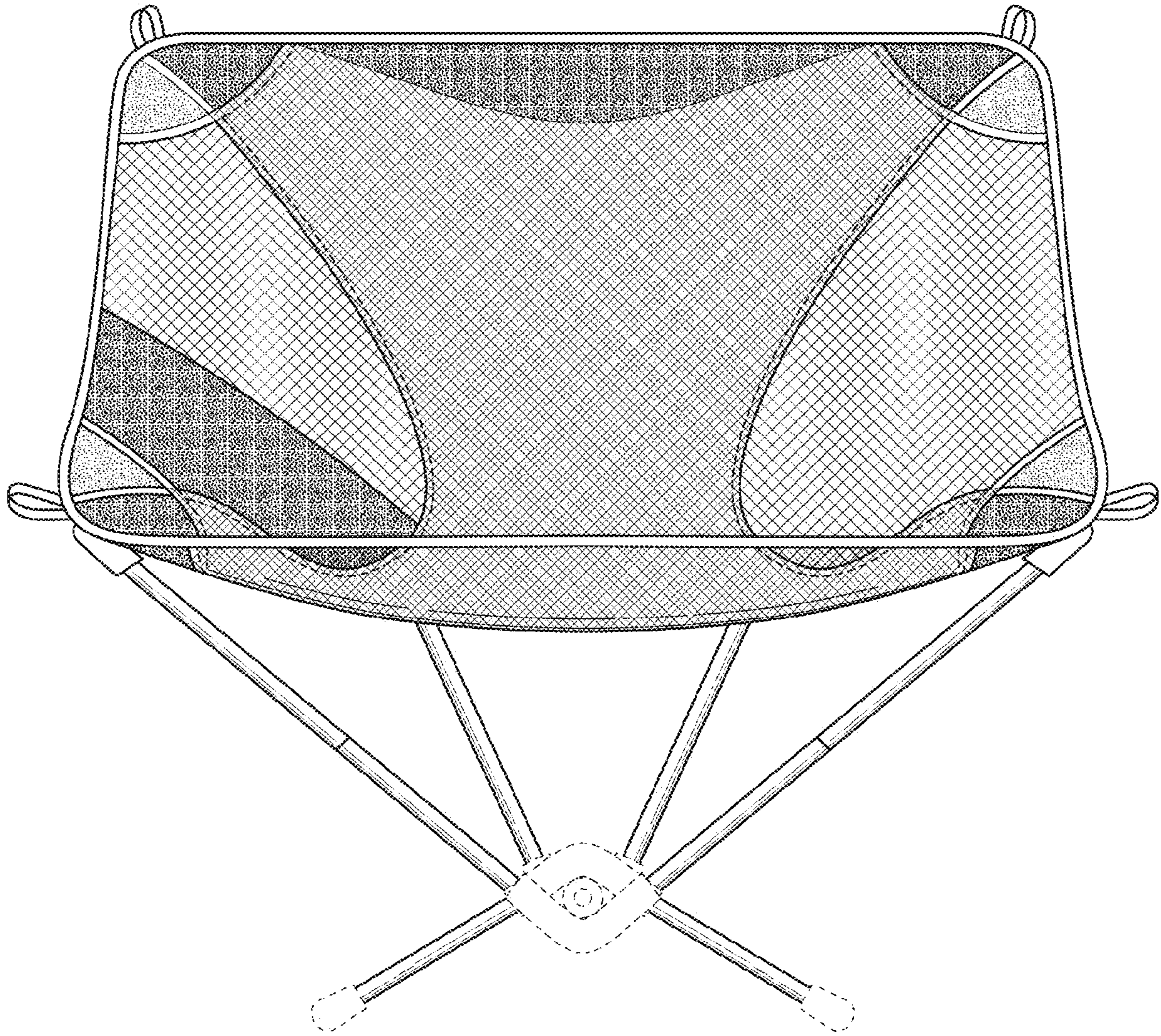


FIG. 2



FIG. 3

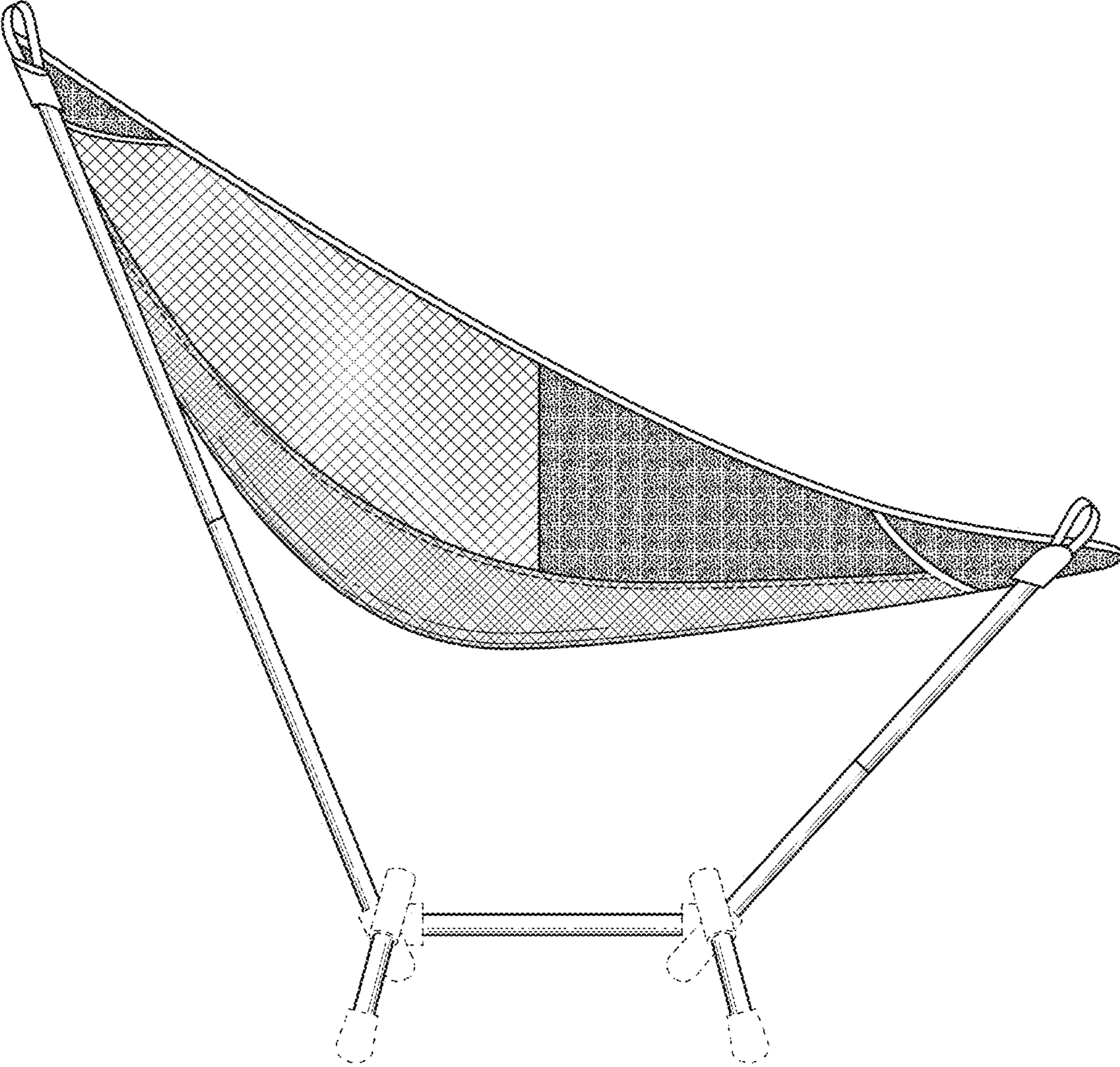


FIG. 4



FIG. 5

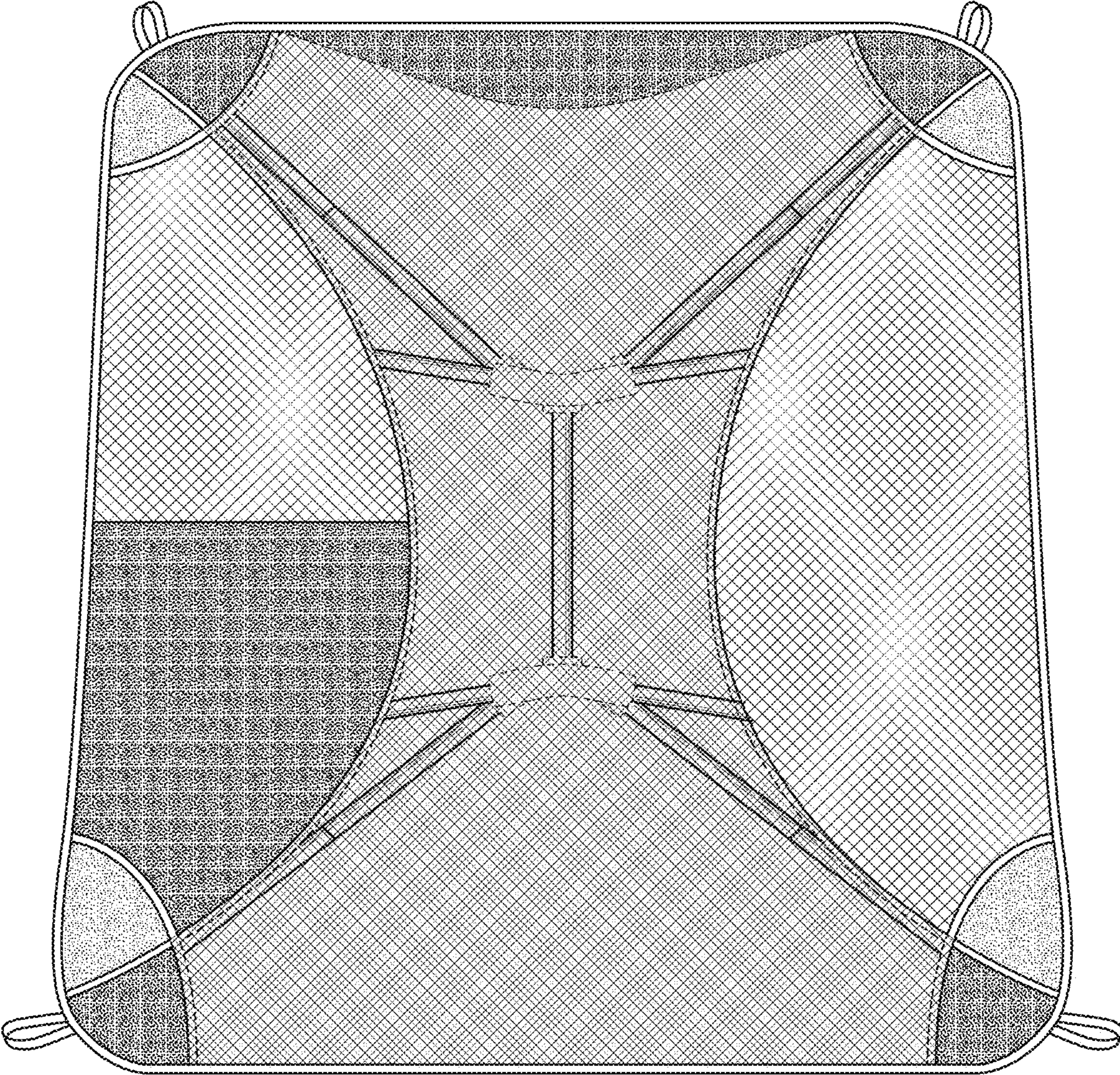


FIG. 6

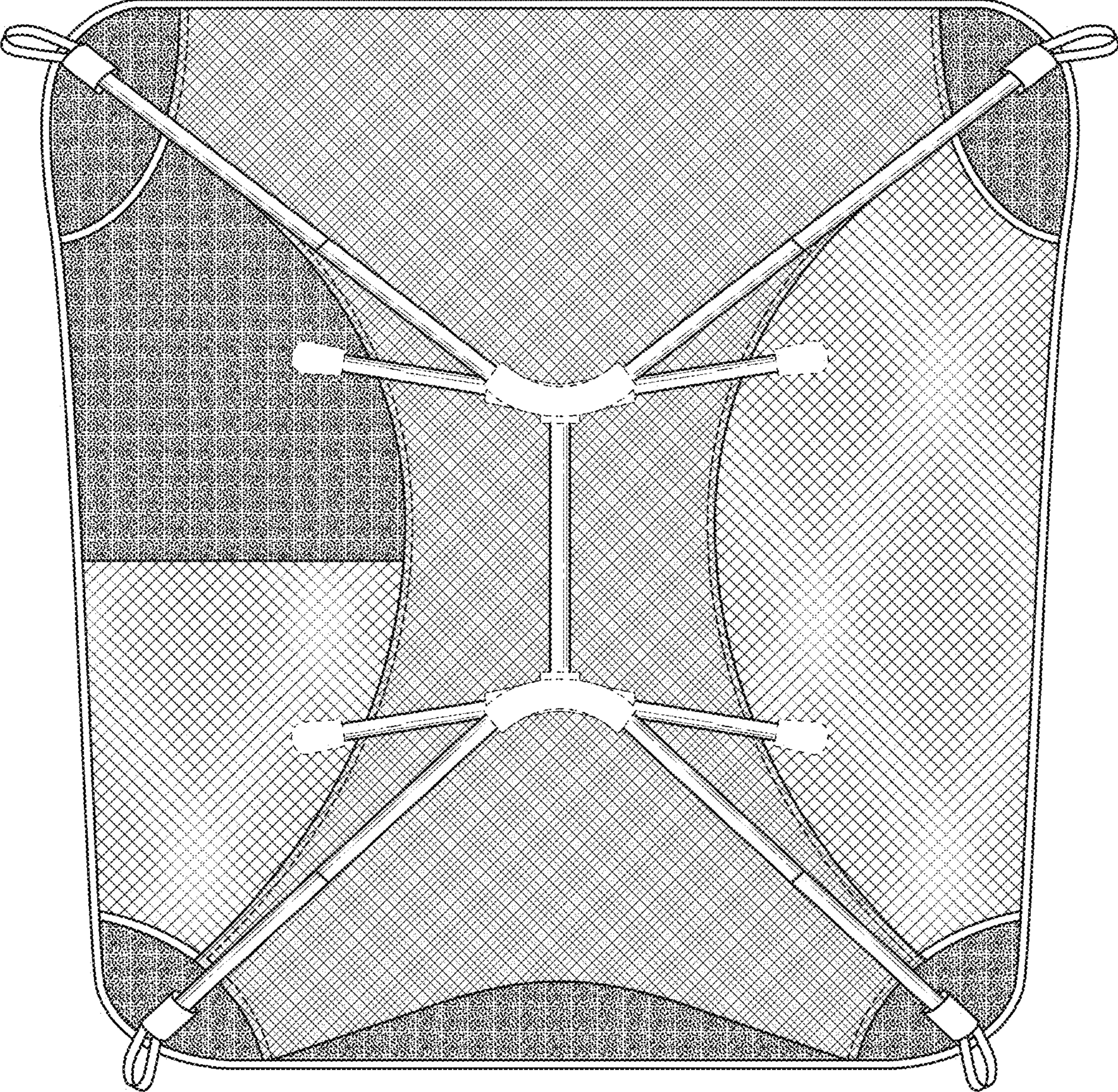


FIG. 7