



US00D977856S

(12) **United States Design Patent**
Zuo

(10) **Patent No.:** **US D977,856 S**

(45) **Date of Patent:** **** Feb. 14, 2023**

- (54) **CHAIR**
- (71) Applicant: **FOSHAN CITY YALONG
HARDWARE FURNITURE CO.,
LTD., Foshan (CN)**
- (72) Inventor: **Bagen Zuo, Foshan (CN)**
- (**) Term: **15 Years**
- (21) Appl. No.: **35/514,862**
- (22) Filed: **Jul. 12, 2022**
- (80) **Hague Agreement Data**
Int. Filing Date: **Jul. 12, 2022**
Int. Reg. No.: **DM/222317**
Int. Reg. Date: **Jul. 12, 2022**
Int. Reg. Pub. Date: **Aug. 5, 2022**
- (51) **LOC (14) Cl.** **06-01**
- (52) **U.S. Cl.**
USPC **D6/365**
- (58) **Field of Classification Search**
USPC D6/364, 365
CPC A47C 1/04; A47C 1/06; A47C 1/10
See application file for complete search history.
- (56) **References Cited**

U.S. PATENT DOCUMENTS

D56,169 S *	8/1920	Jones et al.	D6/365
1,612,416 A *	12/1926	Casale	A47C 1/06 297/238
1,699,460 A *	1/1929	Bayard	A47C 1/06 248/398
1,756,756 A *	4/1930	Mitchell	A47C 3/26 248/422
1,843,564 A *	2/1932	Koken	A47C 1/06 297/344.13
1,948,786 A *	2/1934	Dorrell	A47C 3/30 297/232

3,271,070 A *	9/1966	Dlouhy	A47C 1/11 108/26
6,115,856 A *	9/2000	Najar	A47C 1/04 4/523
D605,865 S *	12/2009	Igarashi	D6/365
D605,866 S *	12/2009	Igarashi	D6/365
D650,603 S *	12/2011	Petrucelli	D6/364
D651,423 S *	1/2012	Petrucelli	D6/364
9,809,174 B1 *	11/2017	Torres	A47C 7/72
10,123,622 B1 *	11/2018	Hall	A47C 1/06
10,292,501 B1 *	5/2019	Brown	A47C 7/004
2006/0261659 A1 *	11/2006	Dykes	A47C 7/541 297/411.37
2007/0017018 A1 *	1/2007	Jenkins	A45D 19/10 4/523
2013/0207440 A1 *	8/2013	Linhoff	A47C 1/06 297/423.1
2015/0320625 A1 *	11/2015	White	A61G 15/02 297/344.12
2016/0128482 A1 *	5/2016	Wallace	A47C 1/11 297/183.1
2016/0316912 A1 *	11/2016	Hodge	A45D 44/04
2018/0070726 A1 *	3/2018	Osweiler	A47C 1/11
2019/0200764 A1 *	7/2019	Perales Botia	A47C 1/11
2020/0336581 A1 *	10/2020	Allen	F16M 11/16
2022/0240677 A1 *	8/2022	Odum	A47C 1/06

* cited by examiner

Primary Examiner — Charles D Hanson

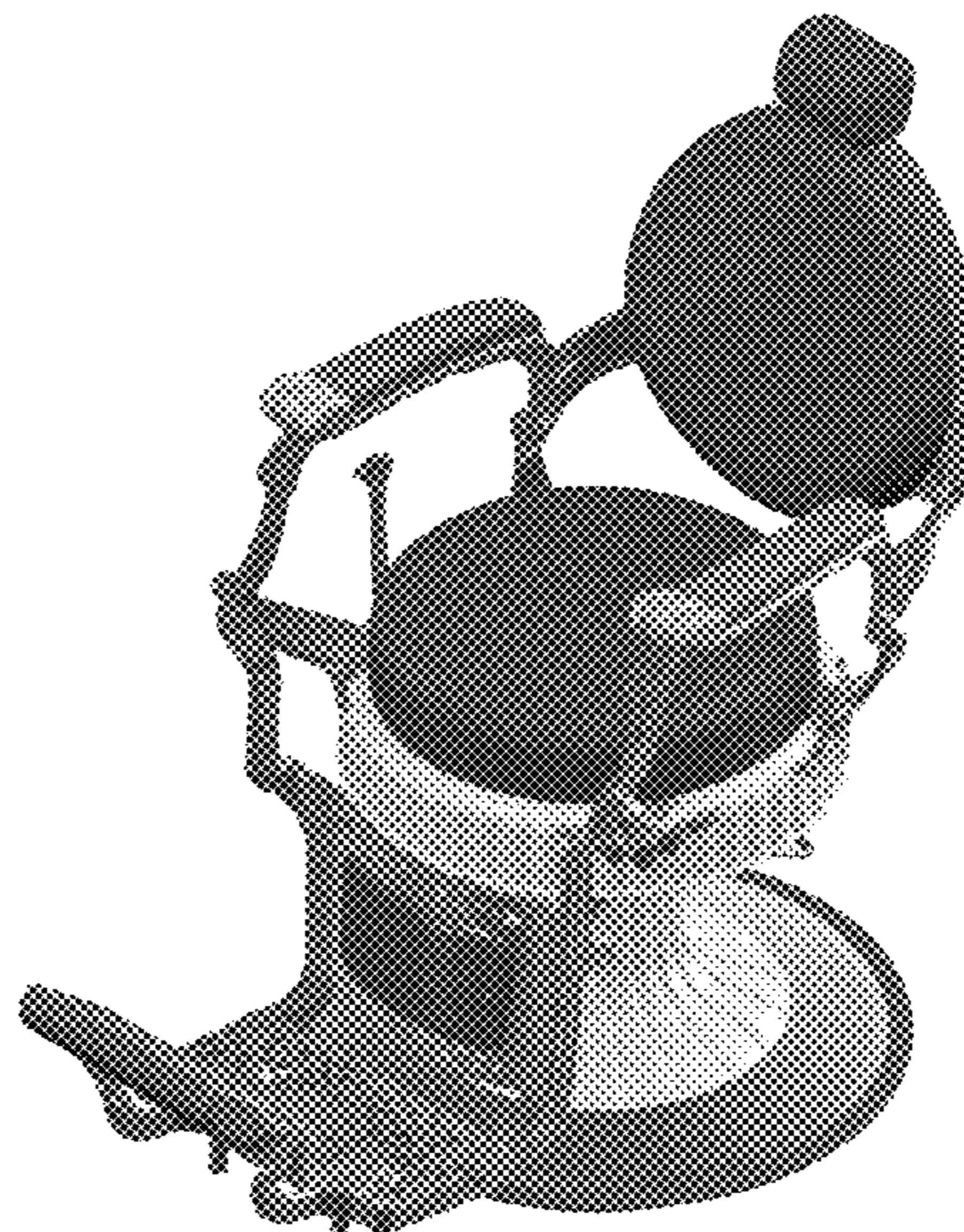
(57) **CLAIM**

The ornamental design for a chair, as shown and described.

DESCRIPTION

- 1. Chair
- 1.1 : Front
- 1.2 : Back
- 1.3 : Left
- 1.4 : Right
- 1.5 : Top
- 1.6 : Perspective
- 1.7 : View of the state in use

1 Claim, 7 Drawing Sheets



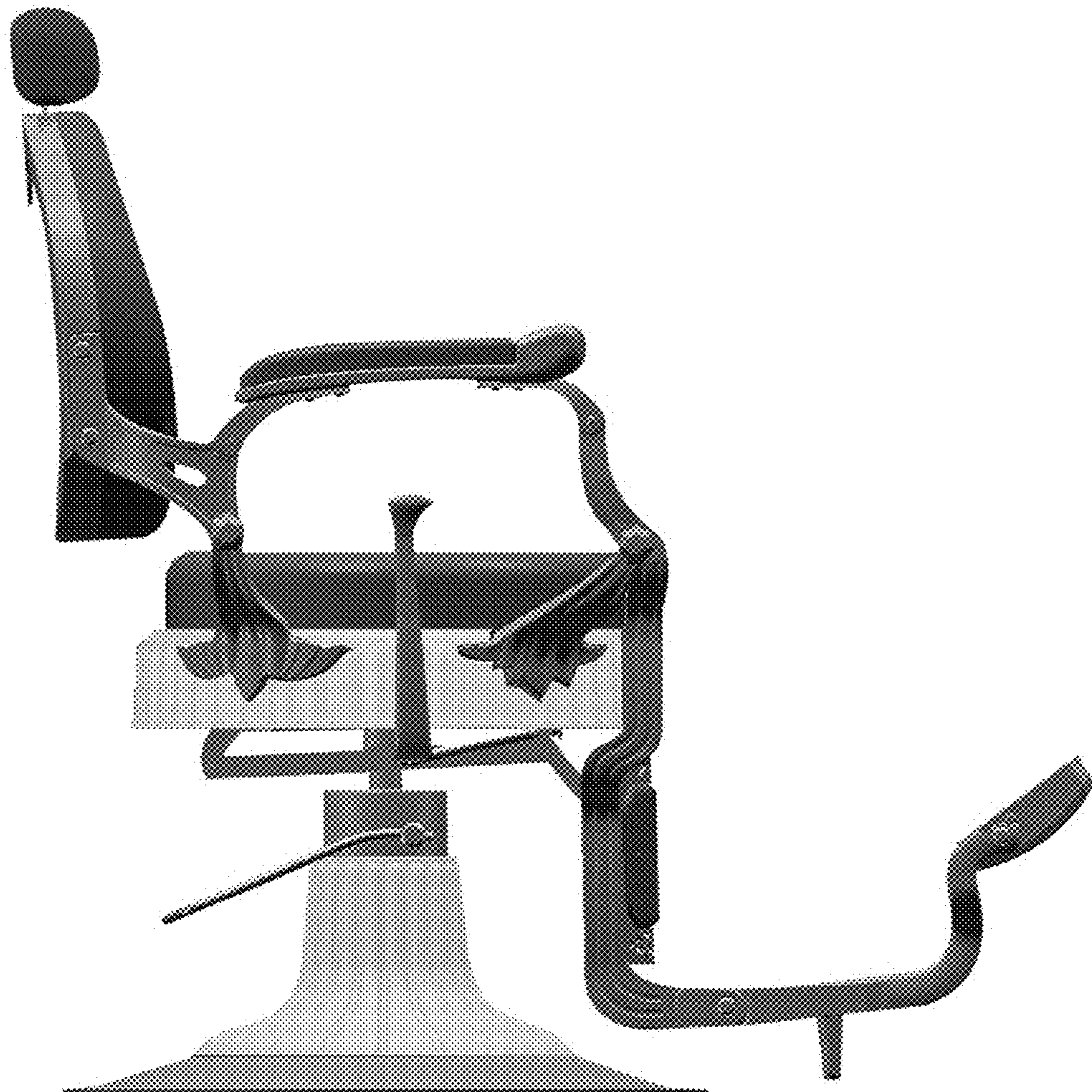
1.1



1.2



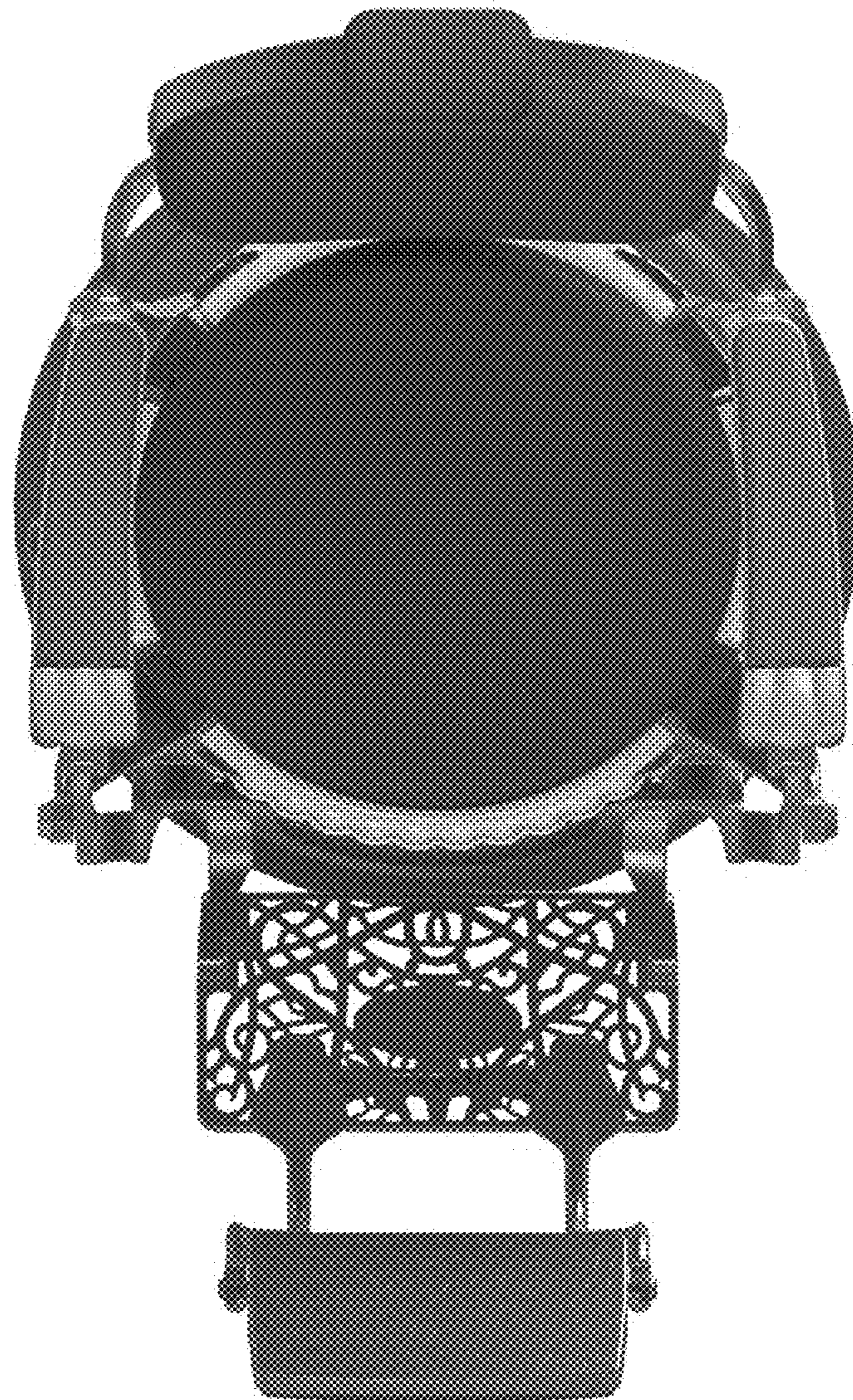
1.3



1.4



1.5



1.6



1.7

