



US00D977855S

(12) **United States Design Patent**
Zhou

(10) **Patent No.:** **US D977,855 S**

(45) **Date of Patent:** **** Feb. 14, 2023**

(54) **BAR STOOL**

(71) Applicant: **Jili Creation Technology Co., LTD.**,
Shenyang (CN)

(72) Inventor: **Yiqun Zhou**, Guangzhou (CN)

(73) Assignee: **Jili Creation Technology Co., LTD.**,
Shenyang (CN)

(**) Term: **15 Years**

(21) Appl. No.: **29/829,916**

(22) Filed: **Mar. 8, 2022**

(51) **LOC (14) Cl.** **06-01**

(52) **U.S. Cl.**
USPC **D6/360**

(58) **Field of Classification Search**
USPC D6/349, 350, 356, 360, 362, 364, 365,
D6/366, 367, 371, 372, 374, 375, 376,
D6/379, 380, 716, 716.1, 353-355
CPC A47C 1/02; A47C 1/022; A47C 1/024;
A47C 1/032; A47C 1/03255; A47C
1/034; A47C 1/035; A47C 1/04; A47C
1/06; A47C 3/18; A47C 3/20; A47C
3/025; A47C 3/026; A47C 7/18; A47C
7/24; A47C 7/36; A47C 7/46; A47C
9/007; A47C 9/02; A47C 5/04

See application file for complete search history.

(56) **References Cited**

U.S. PATENT DOCUMENTS

5,039,167 A * 8/1991 Sweet A47C 1/04
297/423.37
D634,132 S 3/2011 Schultz
D638,633 S * 5/2011 Du D6/360
D730,097 S * 5/2015 Kubryk D6/716

D730,100 S * 5/2015 Kubryk D6/716
D899,121 S * 10/2020 Yang D6/360
D905,985 S * 12/2020 Li D6/360
D906,708 S * 1/2021 Li D6/366
D919,993 S * 5/2021 Li D6/366
D921,379 S 6/2021 Li
D925,243 S * 7/2021 Li D6/366
D953,760 S * 6/2022 Wu D6/360

OTHER PUBLICATIONS

Amazon.com. https://www.amazon.com/Flash-Furniture-Contemporary-Adjustable-Barstool/dp/B08MWV766F/ref=sr_1_93?crid=1DCC5WQN79UH7&keywords=barstool&qid=1662697447&srefix=barstool%2Caps%2C79&sr=8-93&th=1. "Flash Furniture Contemporary Black Vinyl Adjustable Height Barstool". Nov. 6, 2020 (Year: 2020).*

* cited by examiner

Primary Examiner — R. Johnson

(57) **CLAIM**

The ornamental design for a bar stool, as shown and described.

DESCRIPTION

FIG. 1 is a front and top perspective view of a bar stool, showing my new design;
FIG. 2 is a front elevation view thereof;
FIG. 3 is a rear elevation view thereof;
FIG. 4 is a right side elevation view thereof;
FIG. 5 is a left side elevation view thereof;
FIG. 6 is a top plan view thereof; and,
FIG. 7 is a bottom plan view thereof.
The broken lines shown in the drawings illustrate portions of the bar stool that form no part of the claimed design.

1 Claim, 7 Drawing Sheets





FIG1

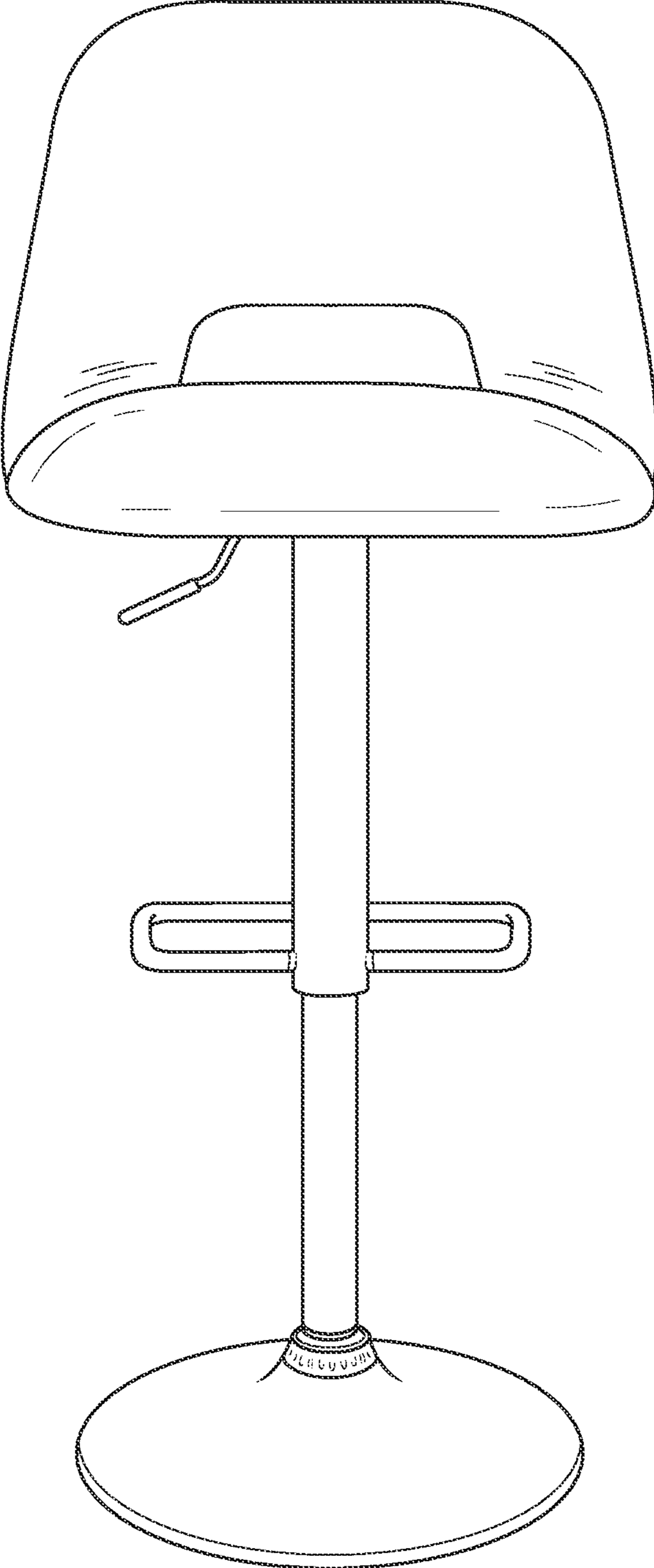


FIG2

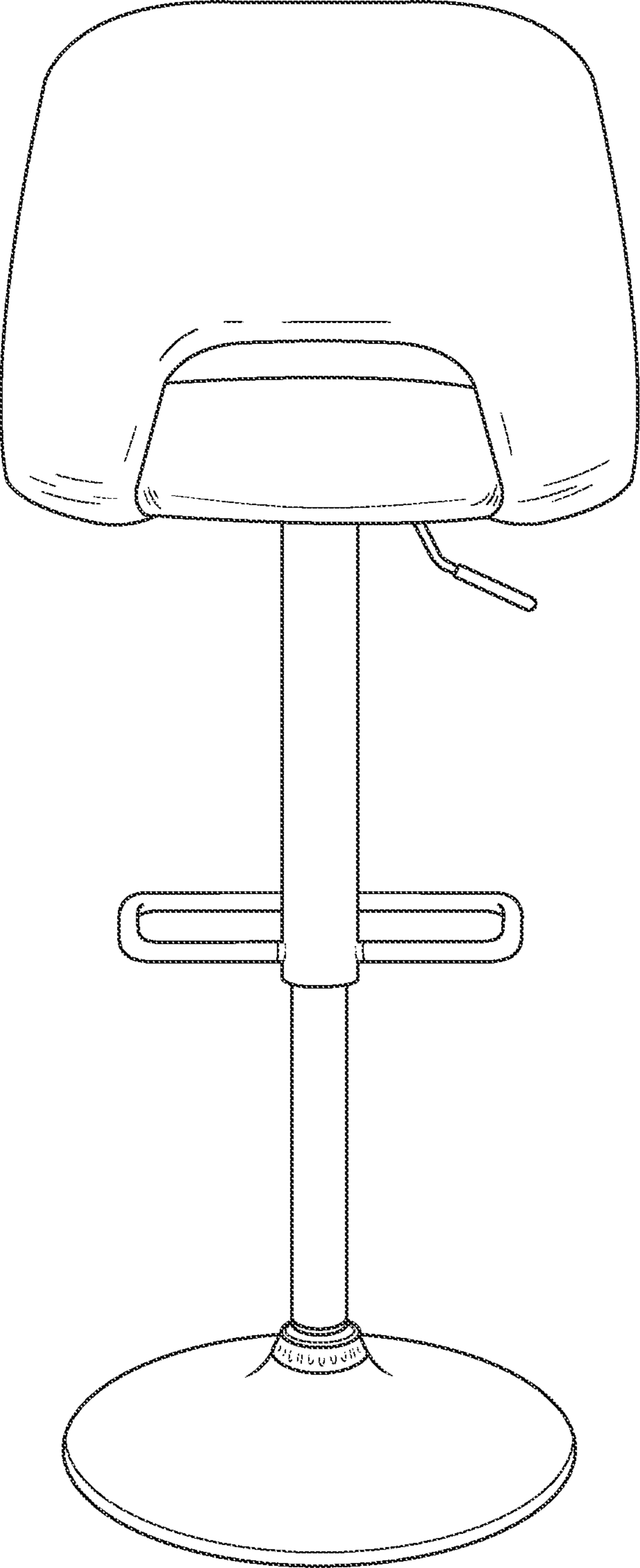


FIG3

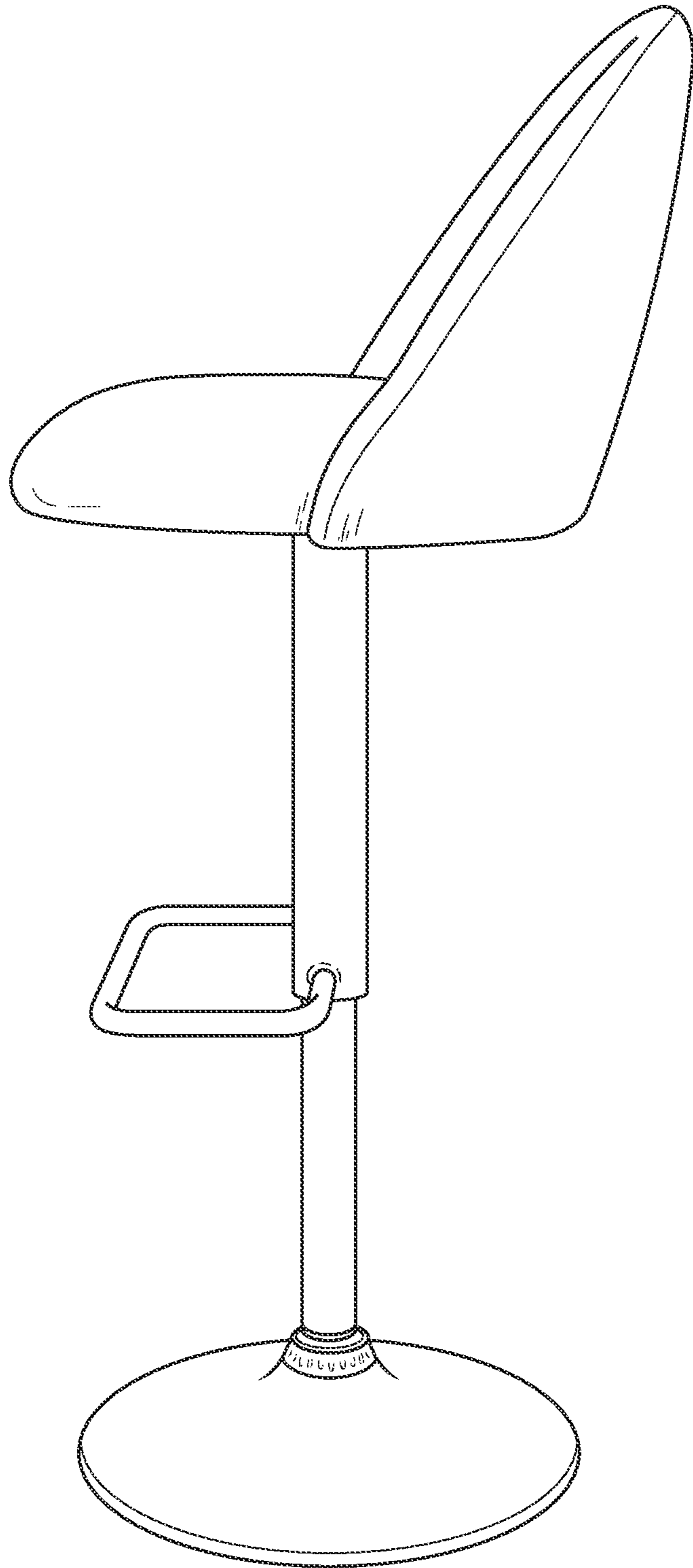


FIG4

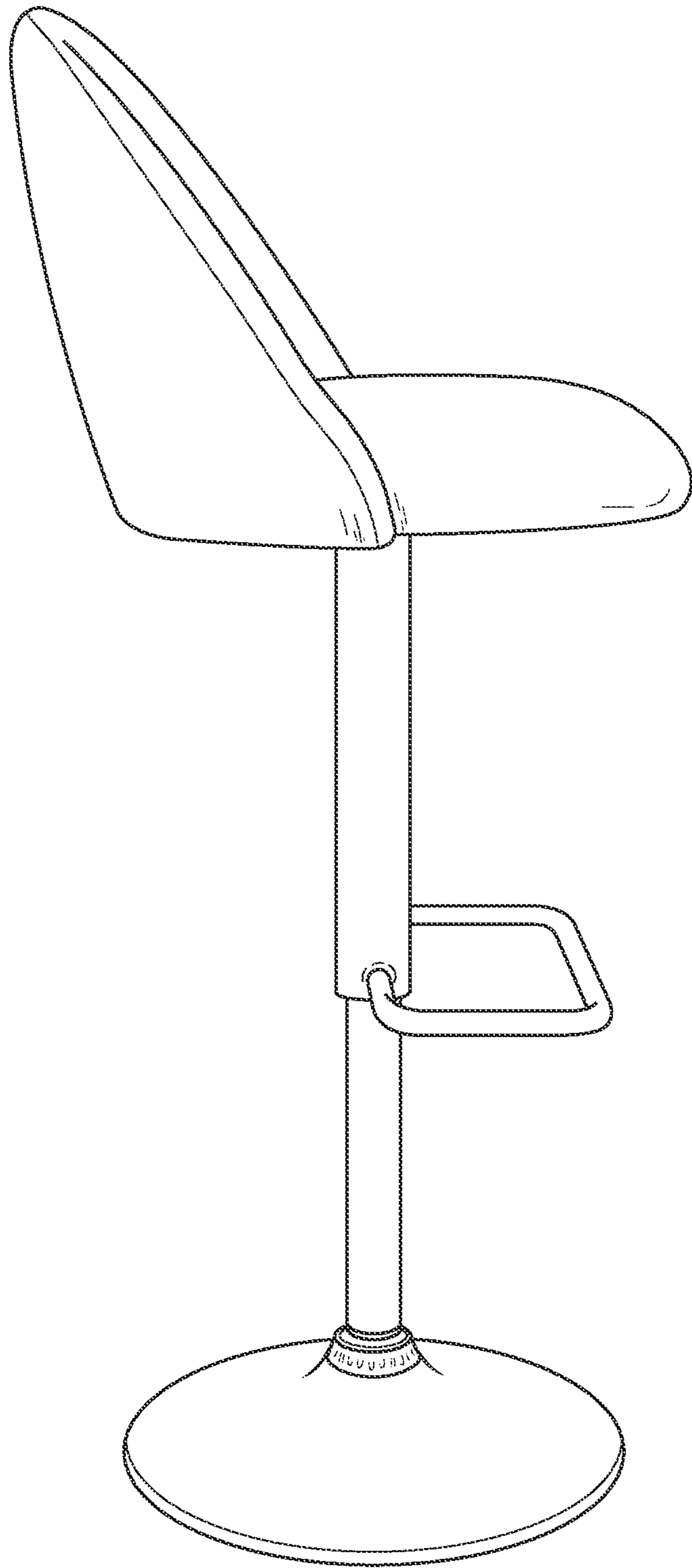


FIG5

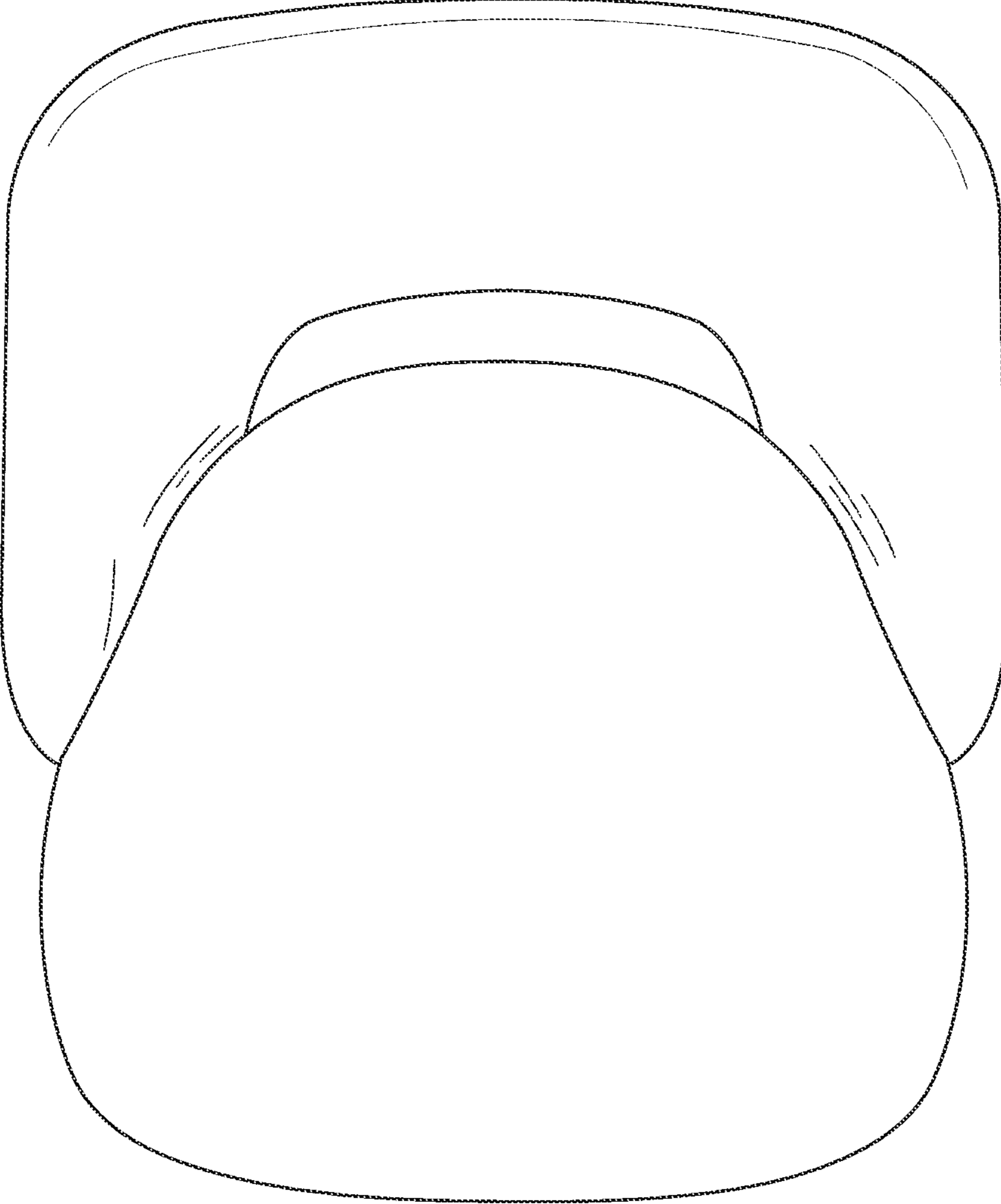


FIG6

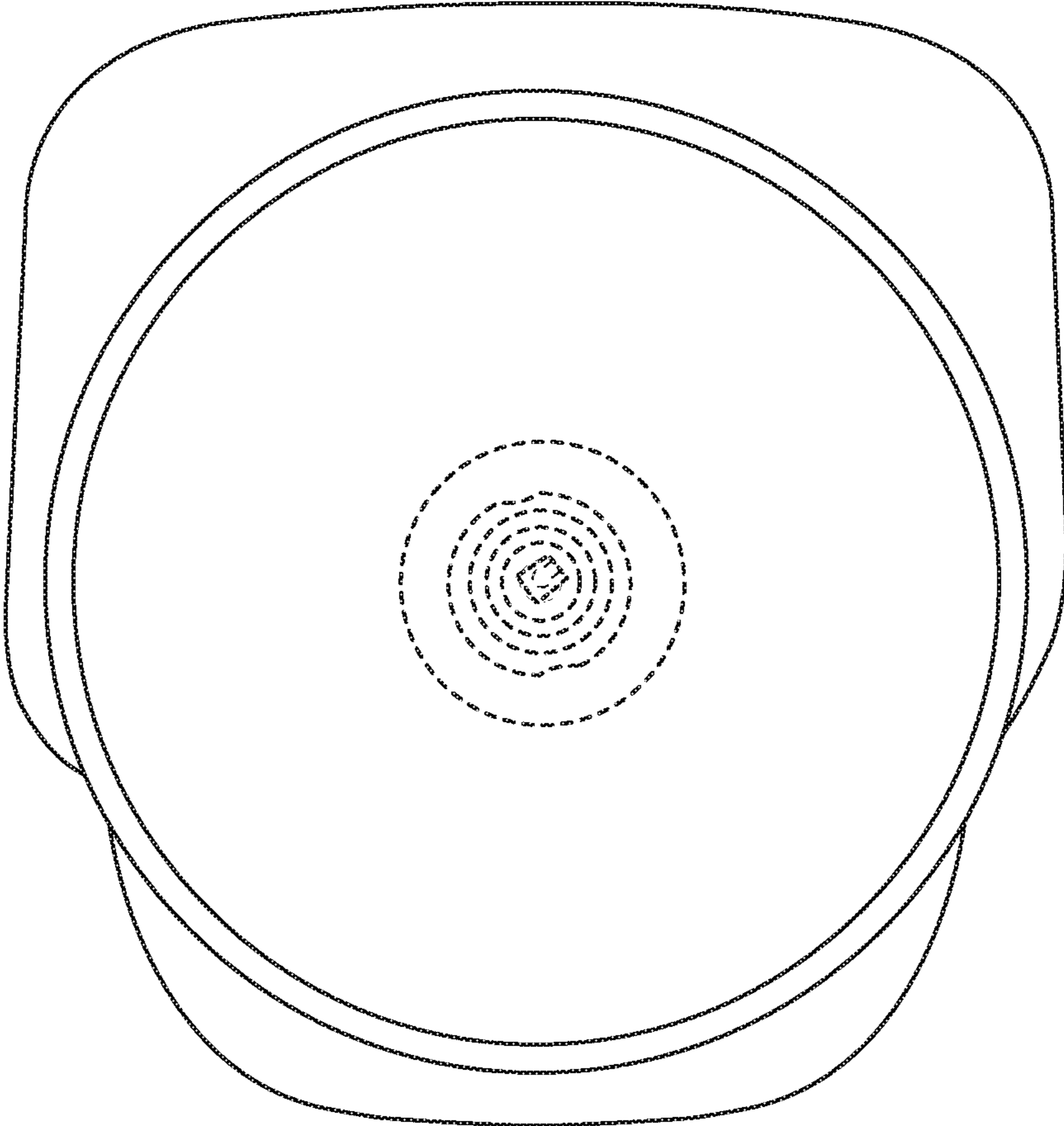


FIG7