



US00D977853S

(12) **United States Design Patent** (10) **Patent No.:** **US D977,853 S**
Chen (45) **Date of Patent:** **** Feb. 14, 2023**

(54) **BICYCLE SADDLE COVER**

(71) Applicant: **Jianxi Chen**, Shenzhen (CN)

(72) Inventor: **Jianxi Chen**, Shenzhen (CN)

(**) Term: **15 Years**

(21) Appl. No.: **29/794,245**

(22) Filed: **Jun. 11, 2021**

(51) **LOC (14) Cl.** **06-01**

(52) **U.S. Cl.**
USPC **D6/354**

(58) **Field of Classification Search**
USPC D6/354
CPC B62J 1/00; B62J 1/007; B62J 1/12
See application file for complete search history.

(56) **References Cited**

U.S. PATENT DOCUMENTS

D420,813 S *	2/2000	Yates	G09F 21/04
				D6/354
6,019,425 A *	2/2000	Yates	B62J 1/18
				297/202
D764,822 S *	8/2016	Toll	B62J 1/00
				D6/354
D885,071 S *	5/2020	Zheng	B62J 1/00
				D6/354
D905,983 S *	12/2020	Yue	B62J 1/08
				D6/354
2011/0198903 A1 *	8/2011	Sebastian	G09F 21/04
				297/219.11
2021/0114677 A1 *	4/2021	Perotto	B29C 45/14065
2021/0347427 A1 *	11/2021	Liu	B62J 1/08
2022/0153372 A1 *	5/2022	Drew	B62J 1/002

FOREIGN PATENT DOCUMENTS

CN	302873044	*	7/2014
CN	303229662	*	6/2015
CN	303229663	*	6/2015
GB	6110175	*	12/2020

OTHER PUBLICATIONS

Bikeroo Bike Seat Cushion, posted unknown [May 13, 2016], [retrieved Oct. 13, 2022]. Retrieved from internet, <https://www.amazon.com/Padded-Bike-Seat-Cushion-Cover/dp/B01F36M0QW?th=1> (Year: 2016).*

Gel Bike Seat Cover, posted unknown [Mar. 13, 2021], [retrieved Oct. 13, 2022]. Retrieved from internet, <https://www.amazon.com/YLCVBUD-Exercise-Comfortable-Stationary-Waterproof/dp/B08YW8HJSF> (Year: 2021).*

Shulemin Bike Saddle Cover, posted unknown [online], [retrieved Oct. 13, 2022]. Retrieved from internet, <https://www.walmart.com/ip/Shulemin-Bike-Saddle-Cover-Bicycle-MTB-Mountain-Road-Bike-Comfortable-Soft-Saddle-Seat-Cushion-Cover-Pad/924881829> (Year: 2022).*

* cited by examiner

Primary Examiner — Cynthia Ramirez
Assistant Examiner — Jeremy S. Swartz

(57) **CLAIM**

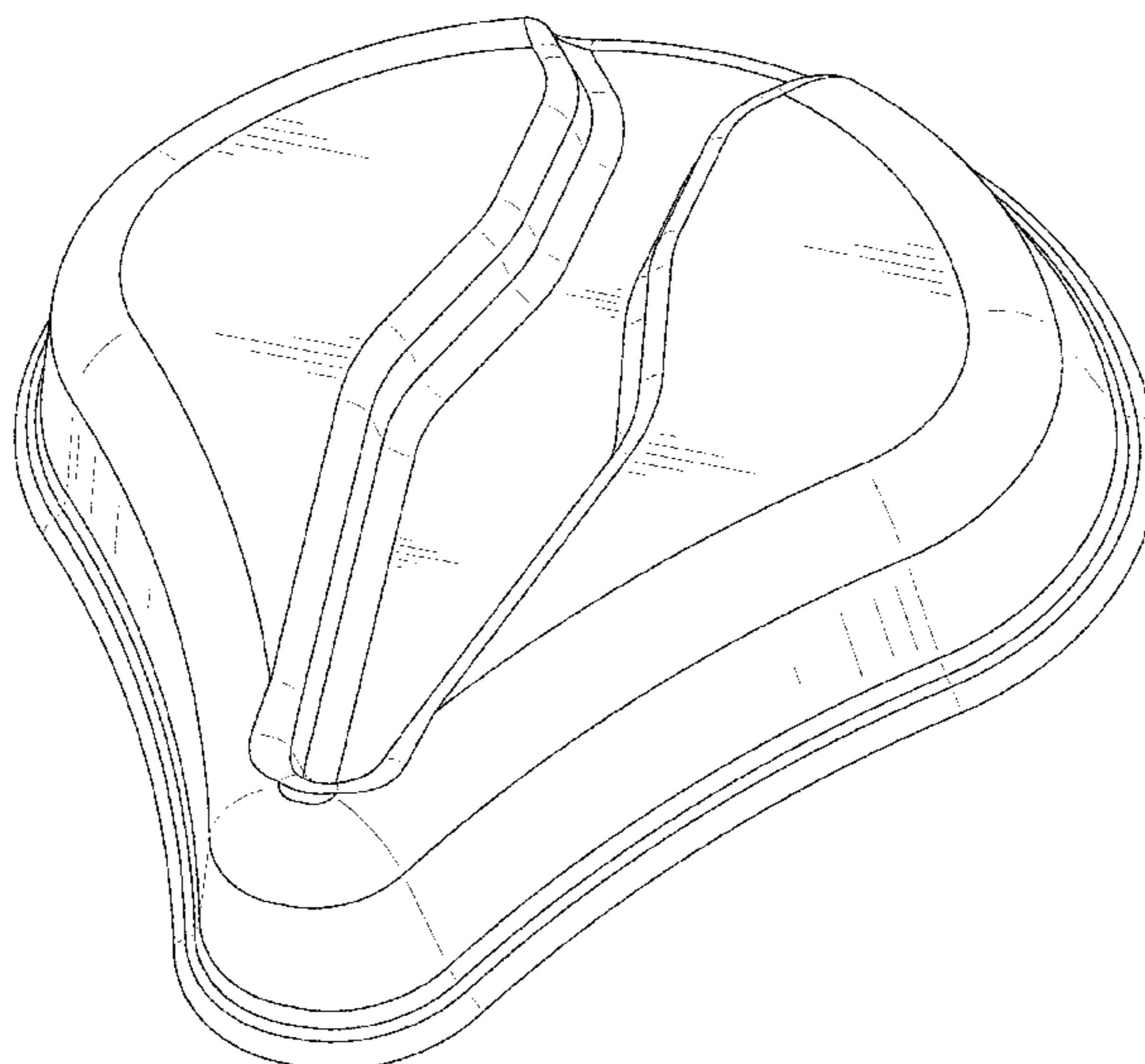
The ornamental design for a bicycle saddle cover, as shown and described.

DESCRIPTION

FIG. 1 is a perspective view of a bicycle saddle cover showing my new design;
FIG. 2 is another perspective view thereof;
FIG. 3 is a front elevational view thereof;
FIG. 4 is a rear elevational view thereof;
FIG. 5 is a left side elevational view thereof;
FIG. 6 is a right side elevational view thereof;
FIG. 7 is a top plan view thereof; and,
FIG. 8 is a bottom plan view thereof.

The broken lines in the drawings depict portions of the bicycle saddle cover that form no part of the claimed design.

1 Claim, 8 Drawing Sheets



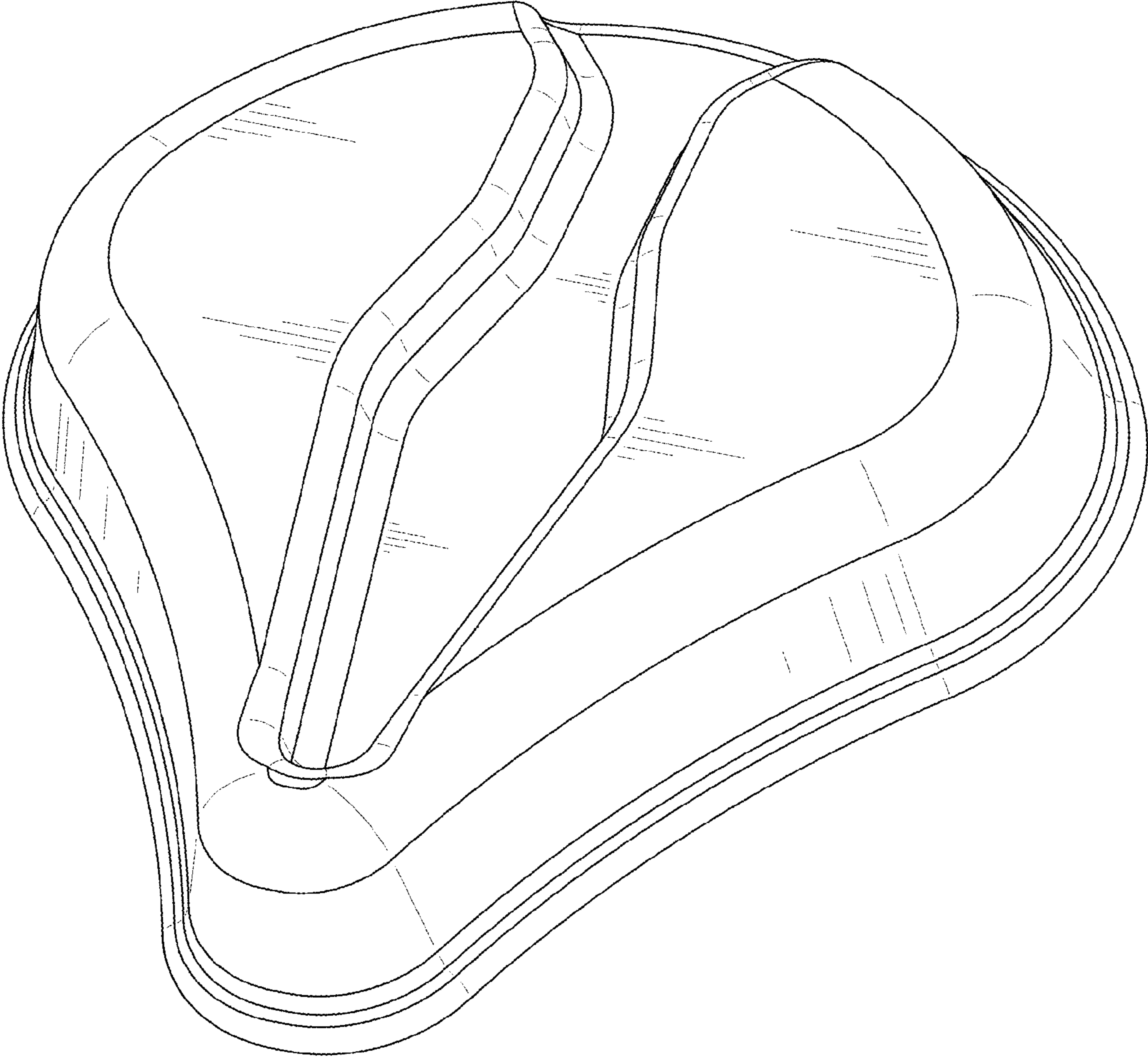


FIG. 1

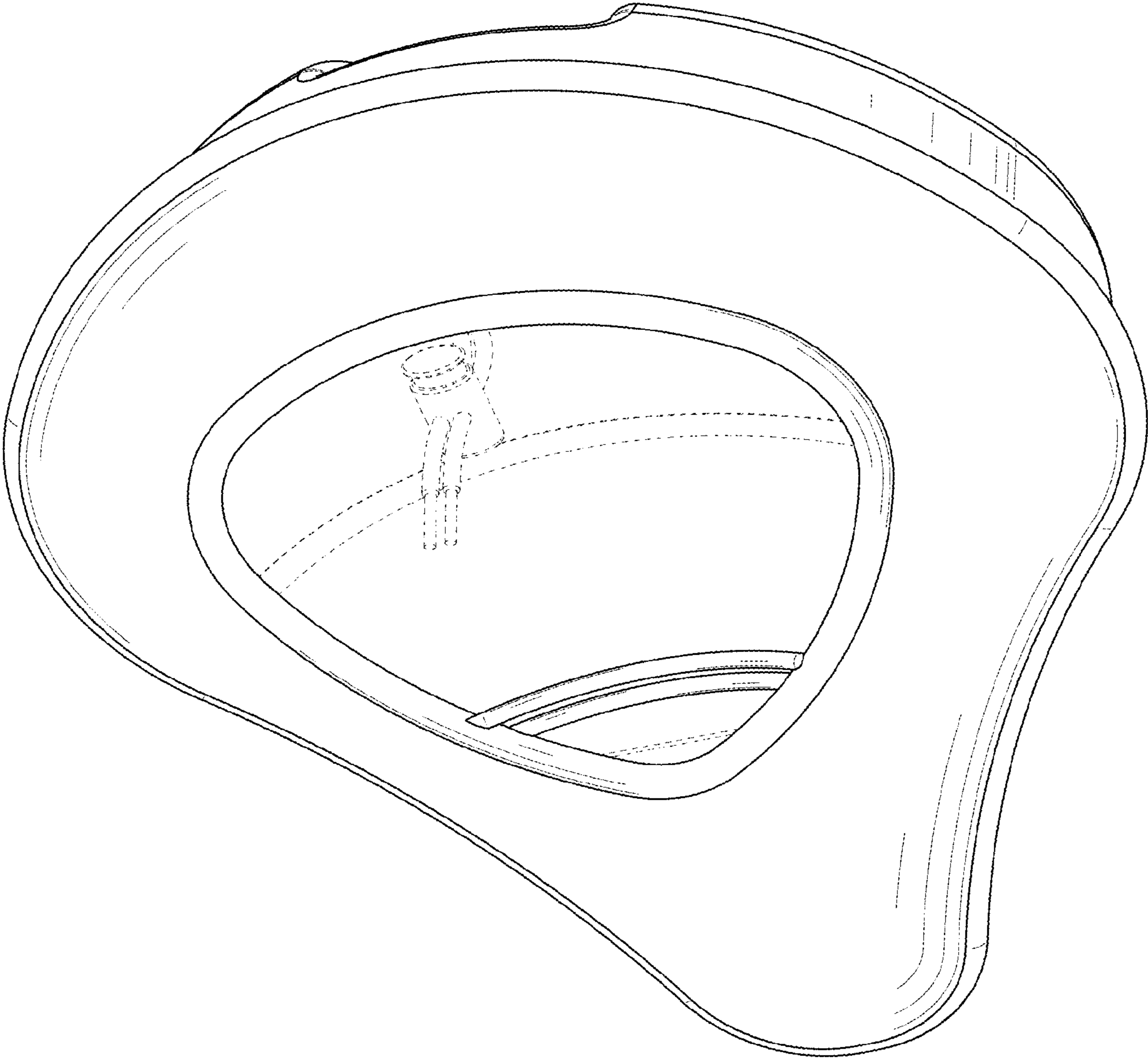


FIG. 2

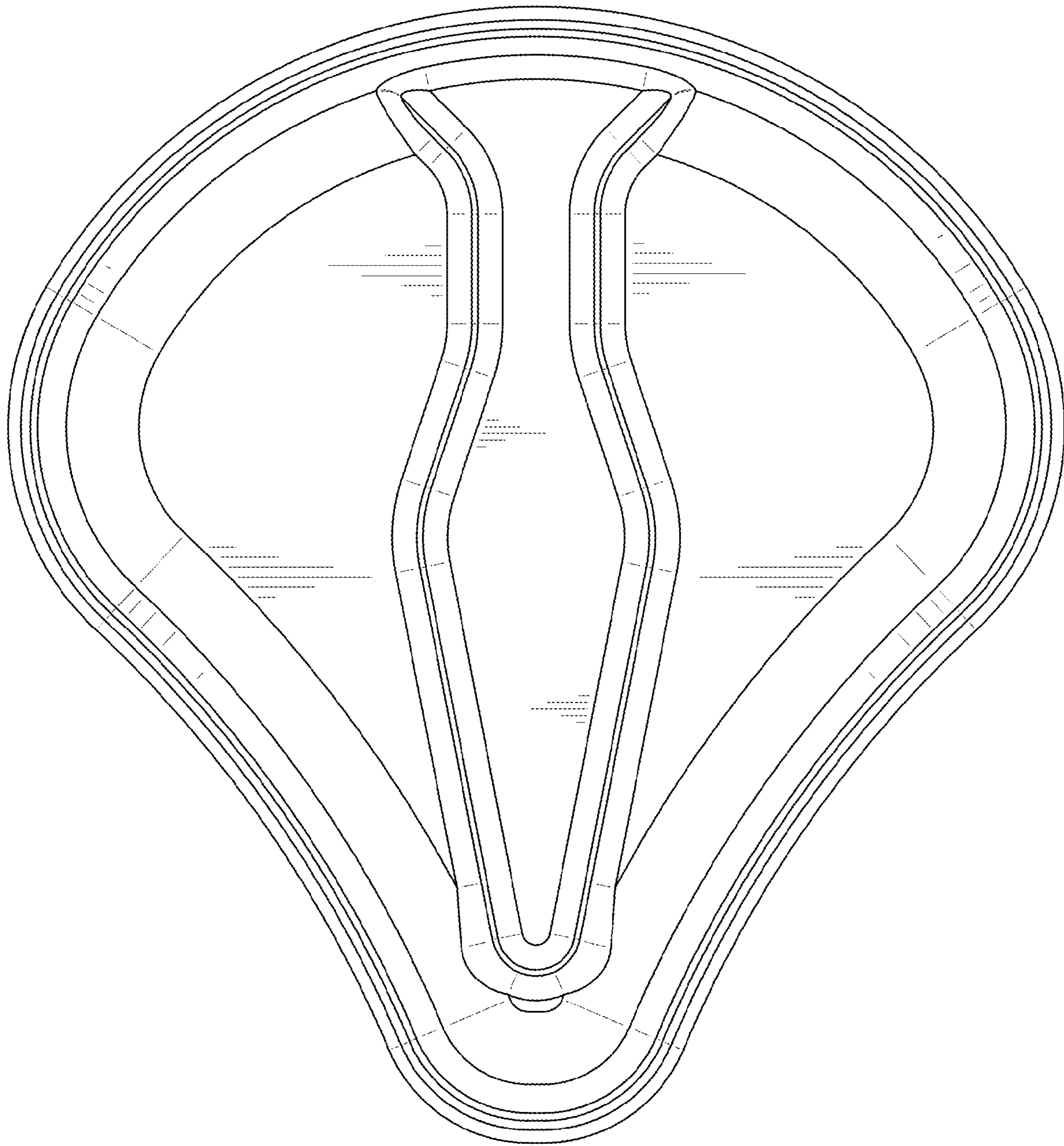


FIG. 3

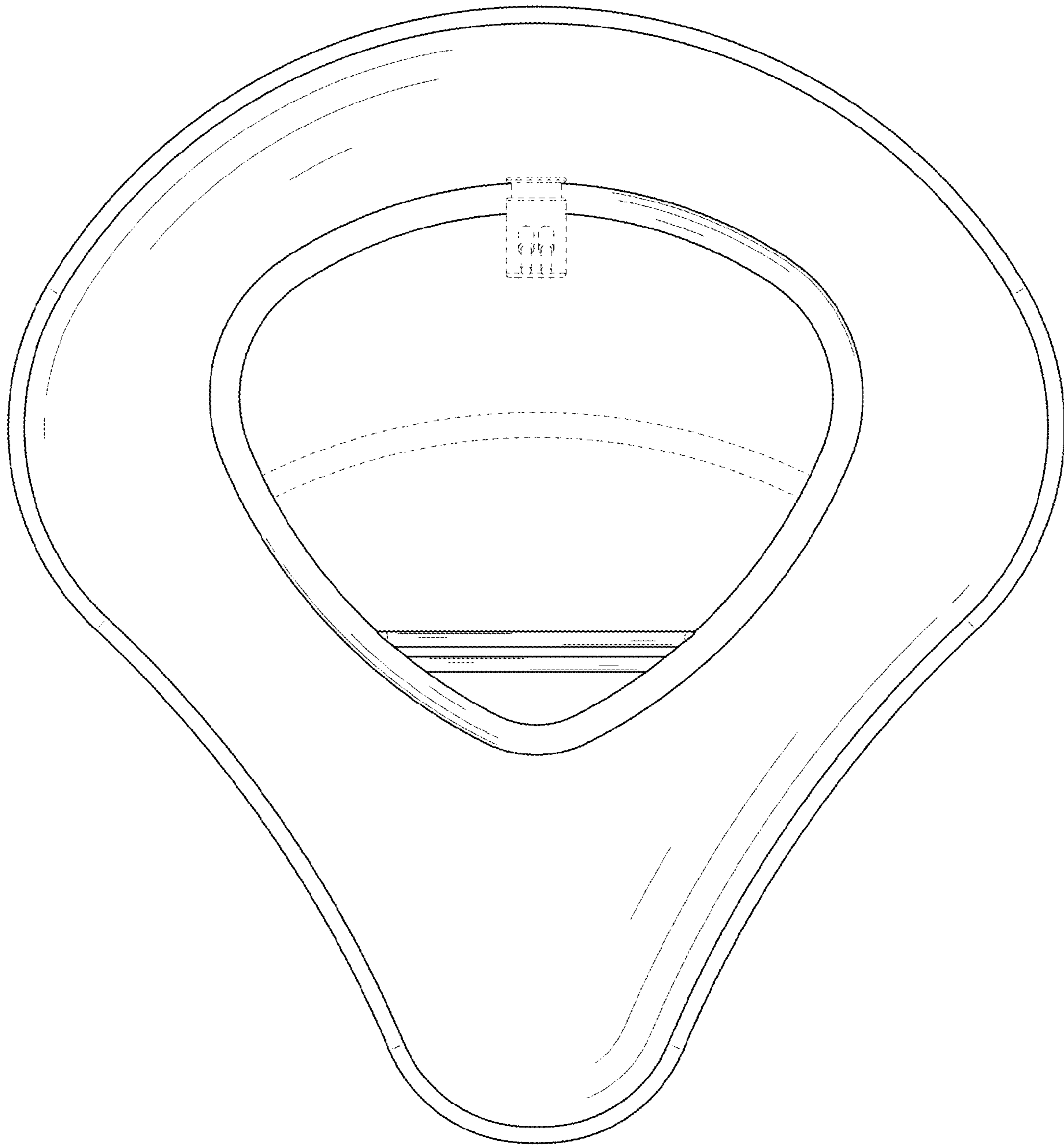


FIG. 4

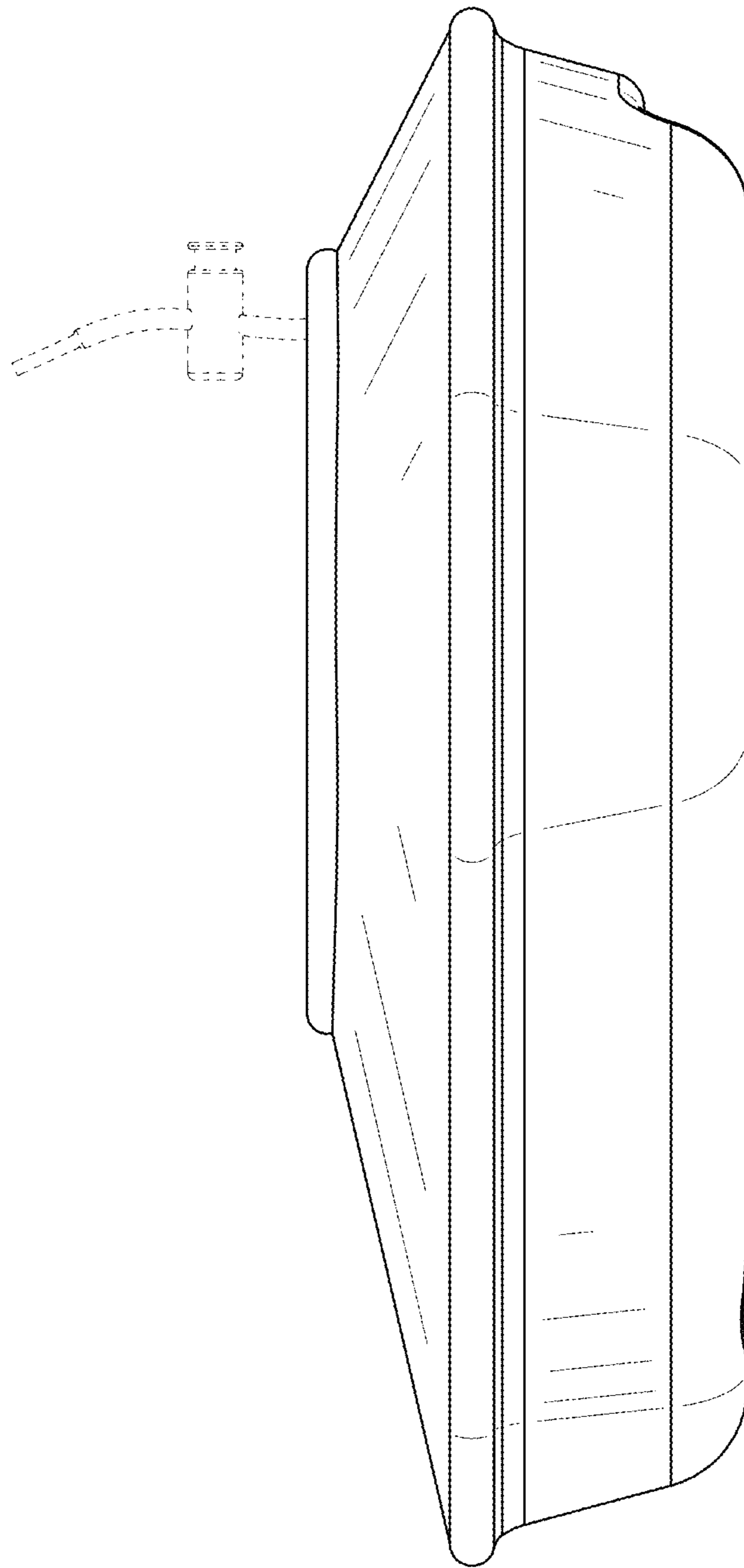


FIG. 5

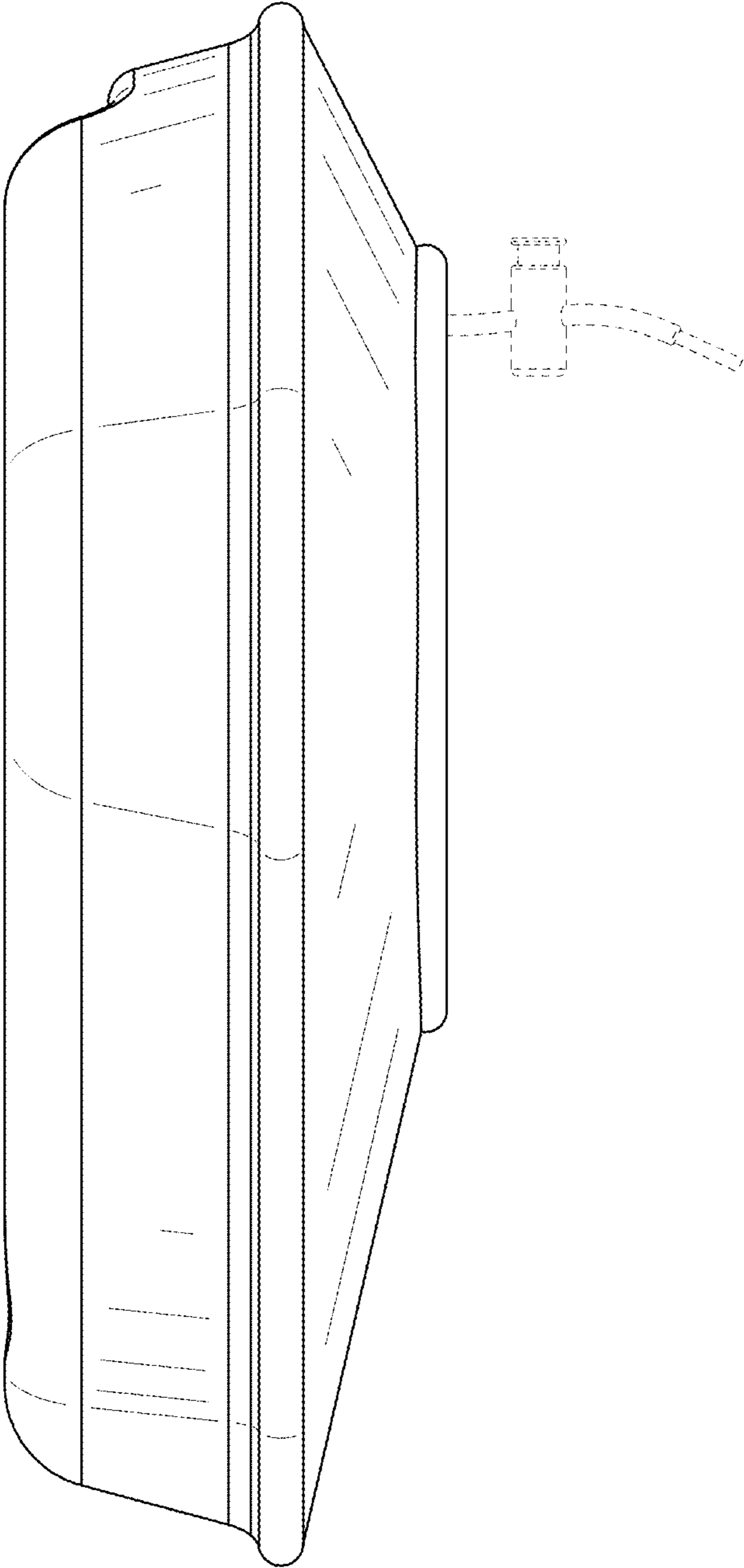


FIG. 6

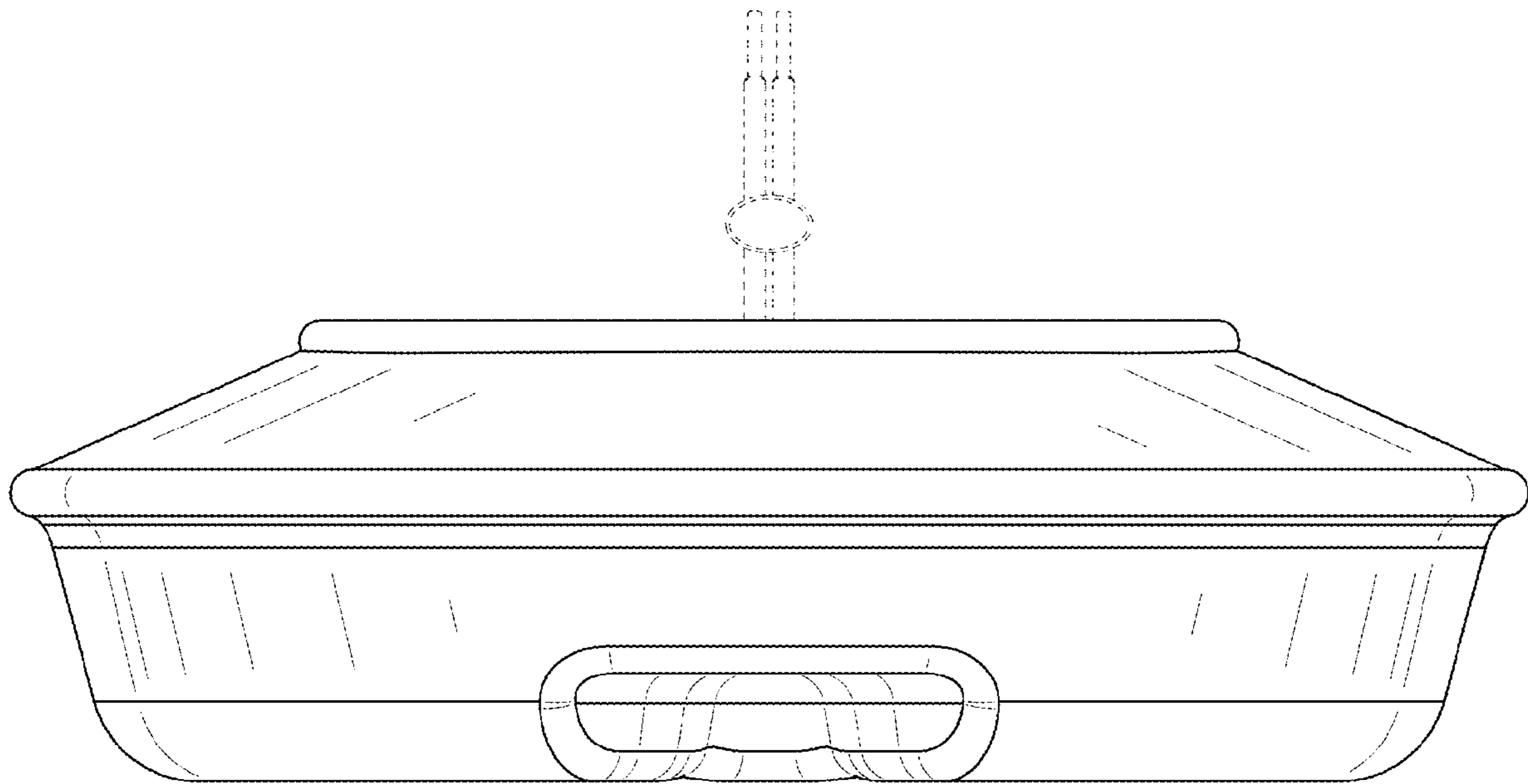


FIG. 7

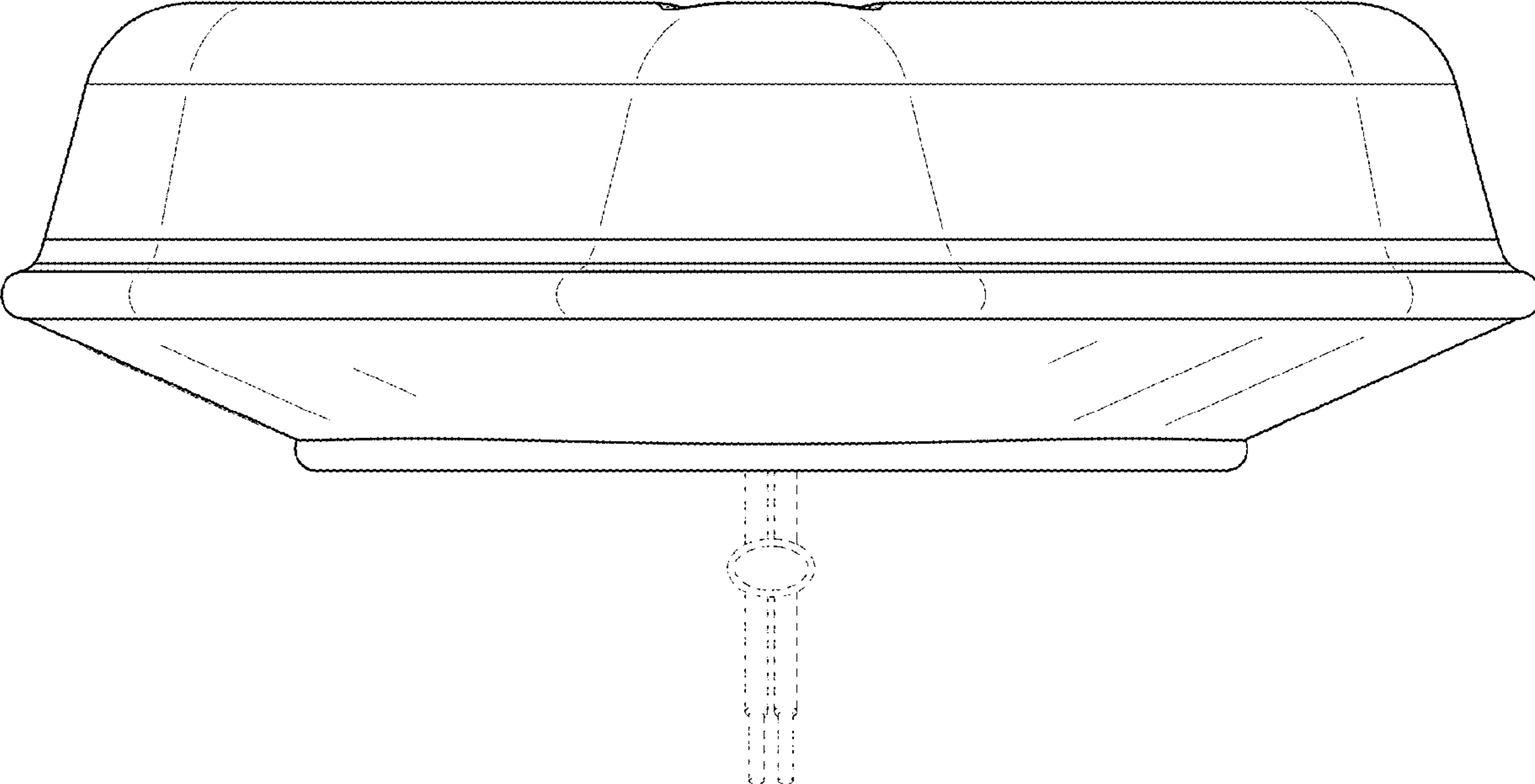


FIG. 8