



US00D977852S

(12) **United States Design Patent** (10) **Patent No.:** **US D977,852 S**  
**Sun** (45) **Date of Patent:** **\*\* Feb. 14, 2023**

(54) **FOOT STOOL**  
(71) Applicant: **AmeriBright Industries Limited**, Wan Chai (HK)  
(72) Inventor: **Weiguo Sun**, Ningbo (CN)  
(73) Assignee: **AMERIBRIGHT INDUSTRIES LIMITED**, Wan Chai (HK)

D290,556 S \* 6/1987 Strousse ..... D6/349  
D293,515 S \* 1/1988 Frinier ..... D6/349  
D347,738 S \* 6/1994 Woodward ..... D6/350  
D358,283 S \* 5/1995 Kelly ..... D6/349  
D363,824 S \* 11/1995 Lyons ..... D6/349  
D410,797 S \* 6/1999 Walters ..... D6/349  
D535,829 S \* 1/2007 Goldstein ..... D6/349  
D542,546 S \* 5/2007 Rubio ..... D6/349  
D770,192 S \* 11/2016 Cohen ..... D6/349  
D935,794 S \* 11/2021 Nardi ..... D6/349

(\*\*) Term: **15 Years**  
(21) Appl. No.: **29/753,477**  
(22) Filed: **Sep. 30, 2020**

**OTHER PUBLICATIONS**

Heavy Duty Metal Step Stool (9in.), available in Amazon.com, date first available Jul. 1, 2020 [online], Retrieved on May 25, 2022 from URL: <https://www.amazon.com/SAFETY-BEAUTY-AmeriLuck-Stainless-Constructed/dp/B08C7BMNYS?th=1> (Year: 2020).\*

(30) **Foreign Application Priority Data**

\* cited by examiner

Jul. 23, 2020 (CN) ..... 202030404361.9

(51) **LOC (14) Cl.** ..... **06-01**

*Primary Examiner* — Vy N Koenig

(52) **U.S. Cl.**

*Assistant Examiner* — Michelle M Reeves

USPC ..... **D6/349**

(74) *Attorney, Agent, or Firm* — Birch, Stewart, Kolasch & Birch, LLP

(58) **Field of Classification Search**

USPC ..... D6/334, 335, 336, 349, 350, 351, 353, D6/675, 685, 355, 657, 663, 691.7, 691; D21/522

(57) **CLAIM**

CPC . A01J 1/00; A01K 97/22; A47C 3/025; A47C 17/045; A47C 16/02

The ornamental design for a foot stool, as shown and described.

See application file for complete search history.

**DESCRIPTION**

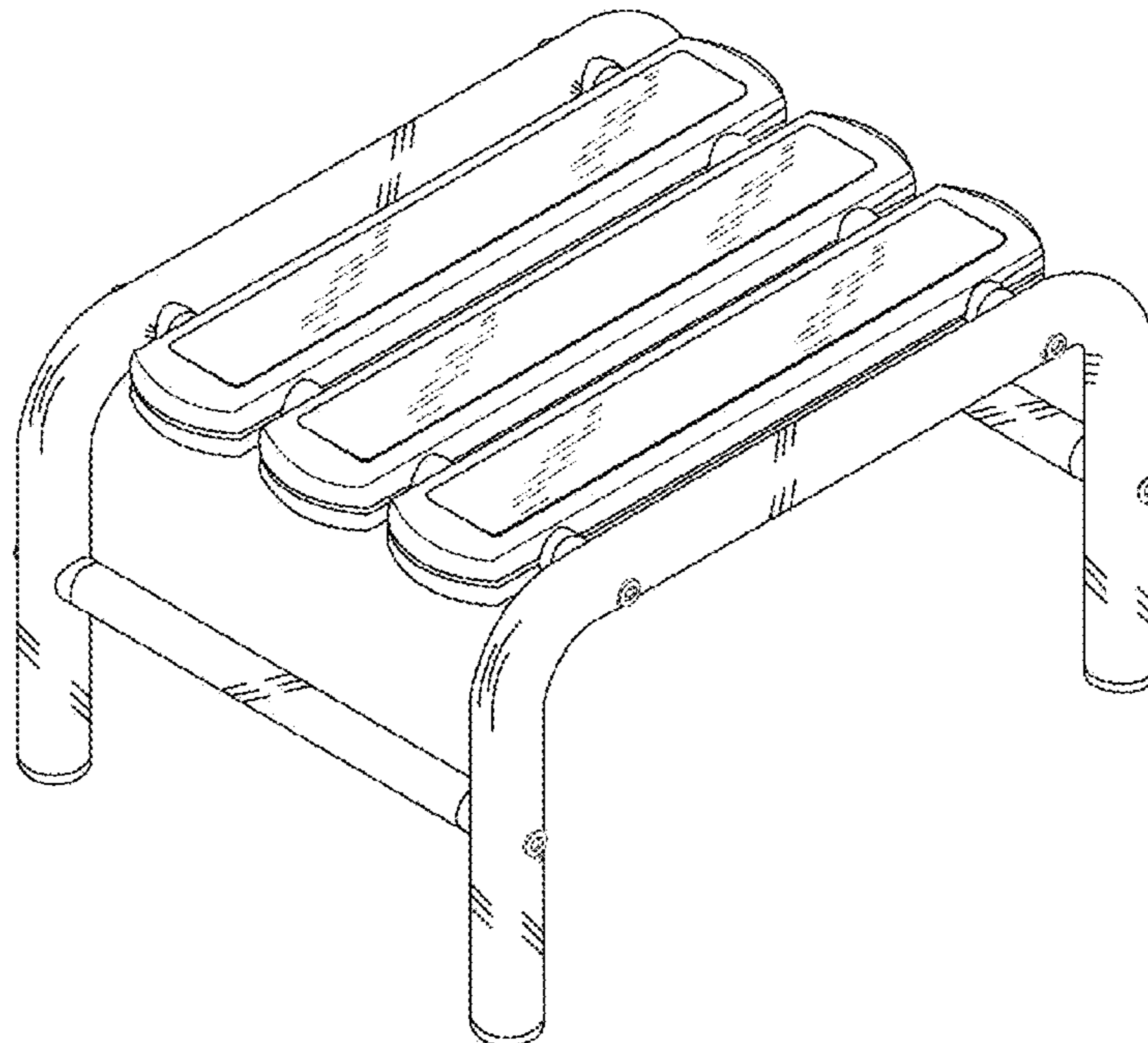
(56) **References Cited**

**U.S. PATENT DOCUMENTS**

3,393,940 A \* 7/1968 Ellsworth ..... A47C 7/028  
297/239  
D278,864 S \* 5/1985 Borichevsky ..... D6/349  
D287,316 S \* 12/1986 Vanderminden ..... D6/349  
D287,677 S \* 1/1987 Pomeroy ..... D6/691.6

FIG. 1 is a front view of a foot stool showing my new design, the rear view being a mirror image thereof;  
FIG. 2 is a left side view thereof, the right side being a mirror image thereof;  
FIG. 3 is a top plan view thereof;  
FIG. 4 is a bottom view thereof; and,  
FIG. 5 is a front right perspective view thereof.

**1 Claim, 5 Drawing Sheets**



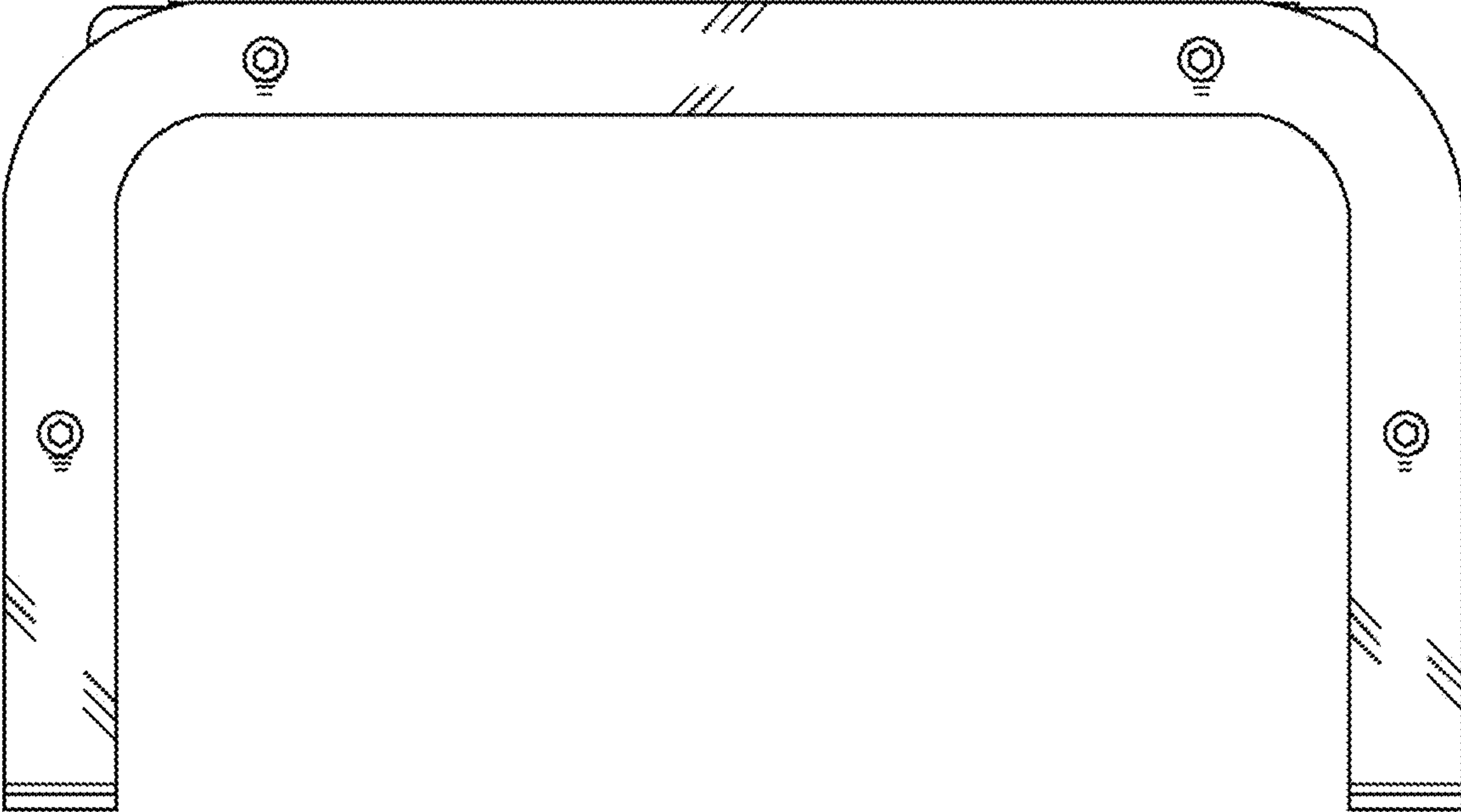


FIG.1

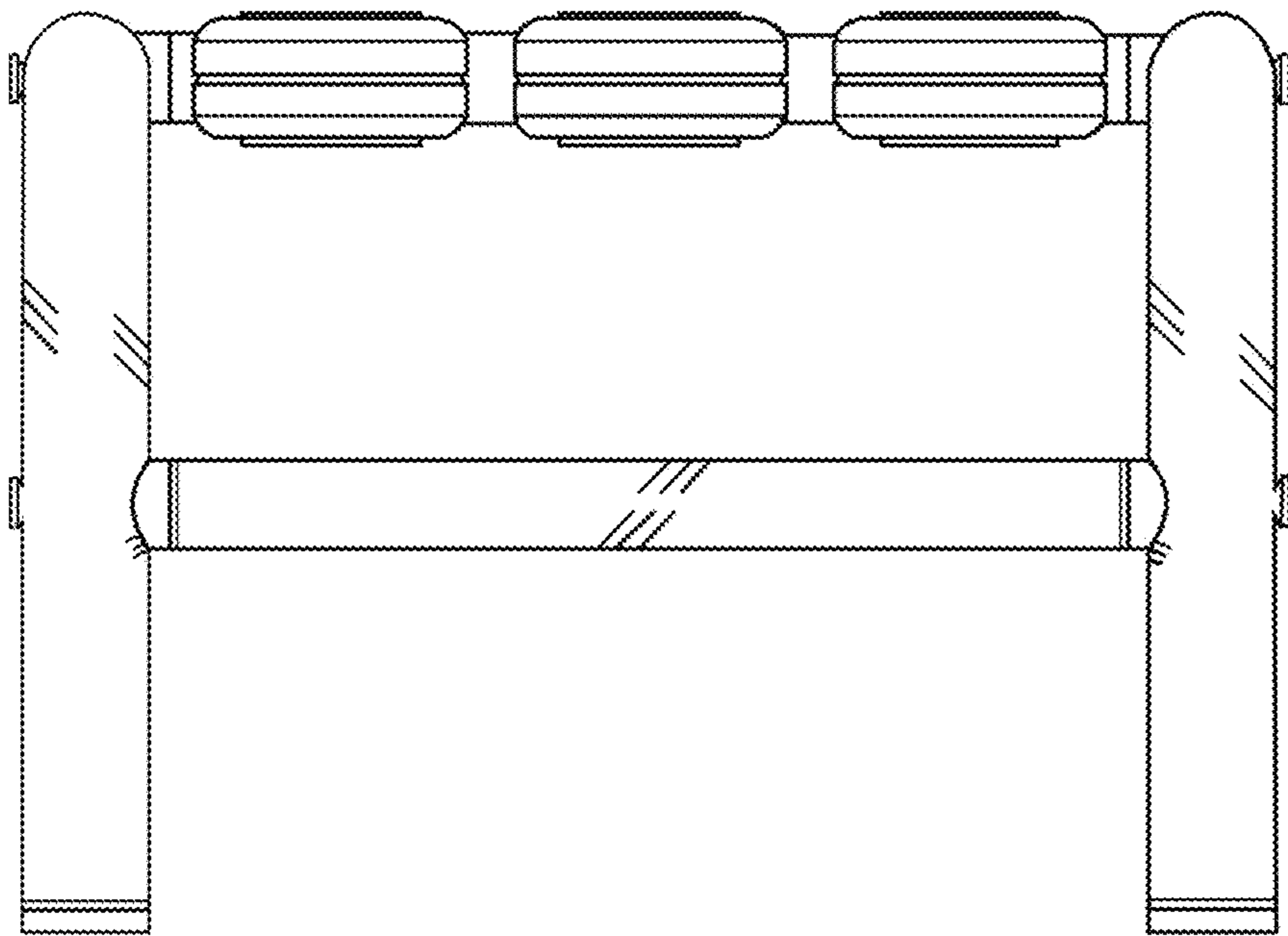


FIG.2

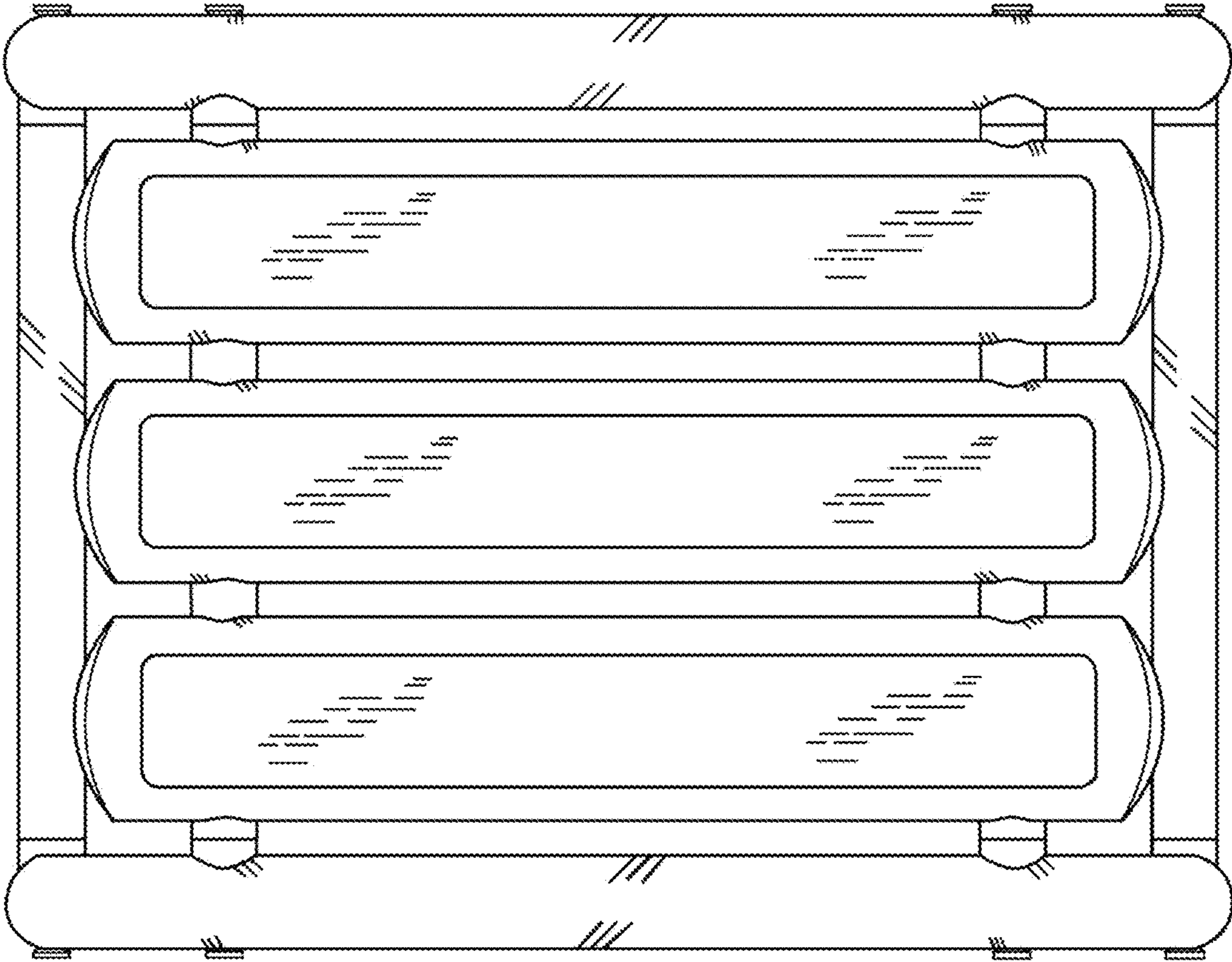


FIG.3

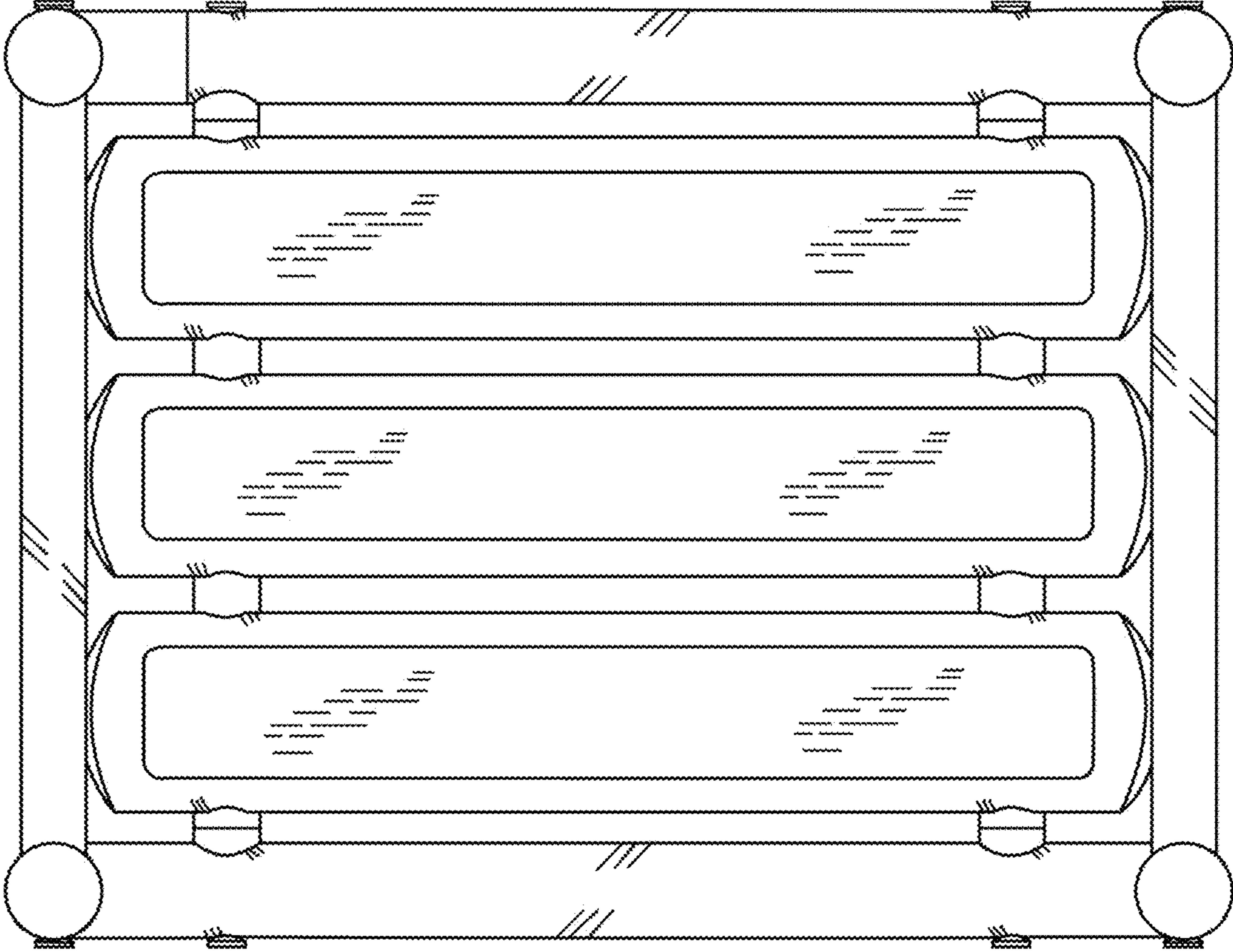


FIG.4



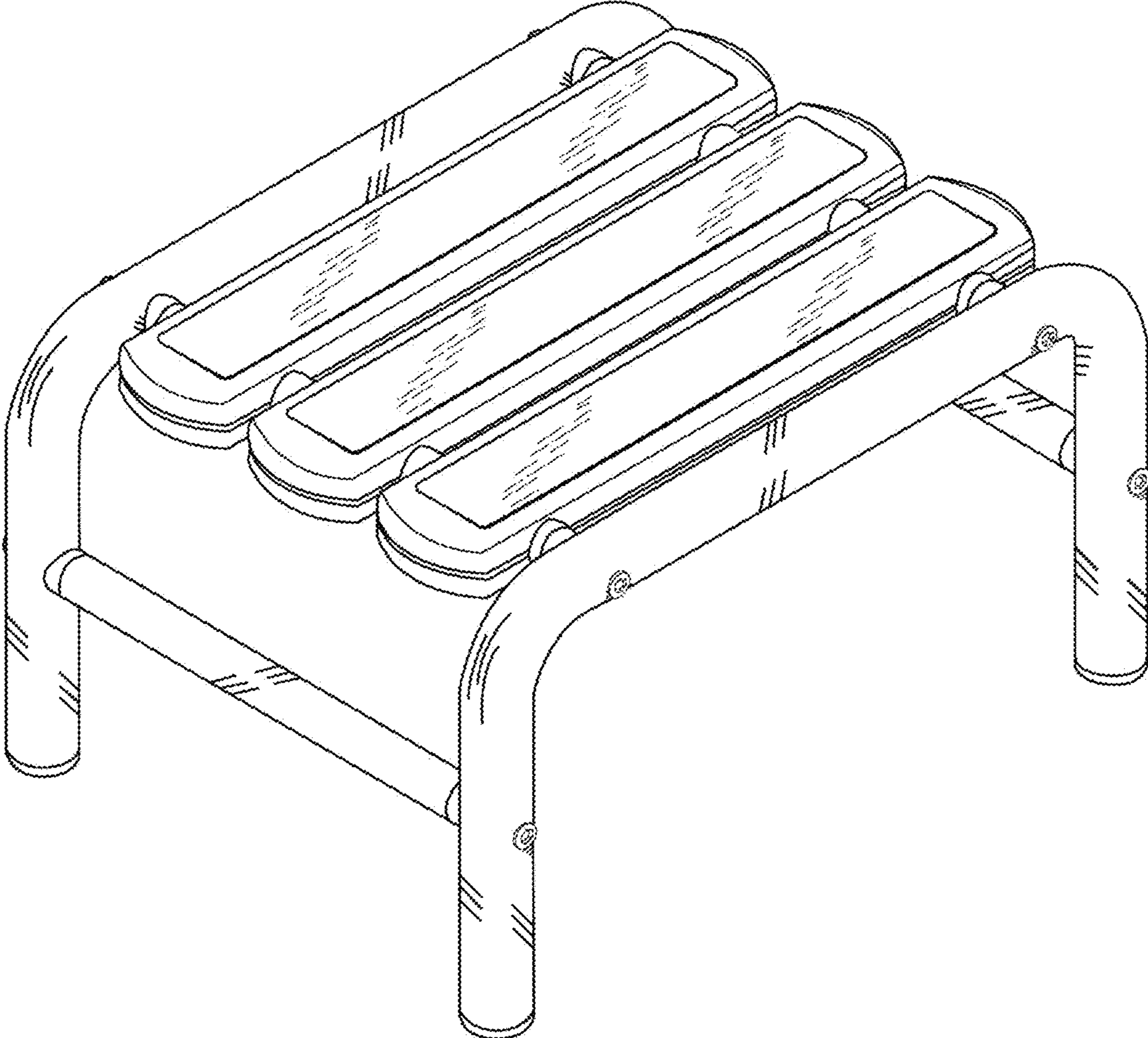


FIG.5