



US00D977851S

(12) **United States Design Patent** (10) **Patent No.:** **US D977,851 S**
Roaks (45) **Date of Patent:** **** Feb. 14, 2023**

(54) **HIGH CHAIR** D722,779 S * 2/2015 Gov D6/339
D807,656 S * 1/2018 Cheng A47D 1/006

(71) Applicant: **Twistshake of Sweden AB**, Vasteras (SE) D6/339
D833,160 S * 11/2018 Wanders D6/339
D844,337 S * 4/2019 Yang D6/339
D865,382 S * 11/2019 von Bergen D6/339
D867,773 S * 11/2019 Wang D6/339
D878,778 S * 3/2020 Liang D6/333

(72) Inventor: **Vienar Roaks**, Vasteras (SE) 10,602,857 B1 * 3/2020 Harris A47D 1/0085
D901,194 S * 11/2020 Howe D6/339
D901,914 S * 11/2020 Wanders D6/339
D911,051 S * 2/2021 Grönlund D6/339
D912,412 S * 3/2021 Kittilsen D6/339
D922,782 S * 6/2021 Ruitter D6/339
D922,786 S * 6/2021 Koh A63H 33/086
D6/360

(73) Assignee: **Twistshake of Sweden AB**, Västerås (SE) 11,202,518 B1 * 12/2021 Lo A47D 11/002
D945,175 S * 3/2022 Rong D6/339
2002/0178975 A1 * 12/2002 Lewis A47D 1/008
108/90

(**) Term: **15 Years** 2009/0039684 A1 * 2/2009 Chen A47D 1/006
297/16.1

(21) Appl. No.: **35/511,808**

(22) Filed: **Apr. 1, 2021**

(80) **Hague Agreement Data**

Int. Filing Date: **Apr. 1, 2021**
Int. Reg. No.: **DM/213915**
Int. Reg. Date: **Apr. 1, 2021**
Int. Reg. Pub. Date: **May 7, 2021**

(51) **LOC (14) Cl.** **06-01**
(52) **U.S. Cl.**
USPC **D6/339**
(58) **Field of Classification Search**
USPC D6/333, 334, 335, 336, 338, 339
CPC A47D 1/00; A47D 1/008; A47D 1/023;
A47C 1/00
See application file for complete search history.

(56) **References Cited**

U.S. PATENT DOCUMENTS

3,715,142 A * 2/1973 Lay A47C 4/18
297/26
4,768,825 A * 9/1988 Quinlan, Jr. A47D 1/023
297/39
D365,936 S * 1/1996 Haut D6/339
D478,219 S * 8/2003 Greger D6/339
D575,539 S * 8/2008 Tomasi D6/339
D600,927 S * 9/2009 Lake D6/339
D619,818 S * 7/2010 Bergkvist D6/339
D694,029 S * 11/2013 Yeh D6/339

(Continued)

Primary Examiner — Steven J Czyz
(74) *Attorney, Agent, or Firm* — Dilworth & Barrese, LLP

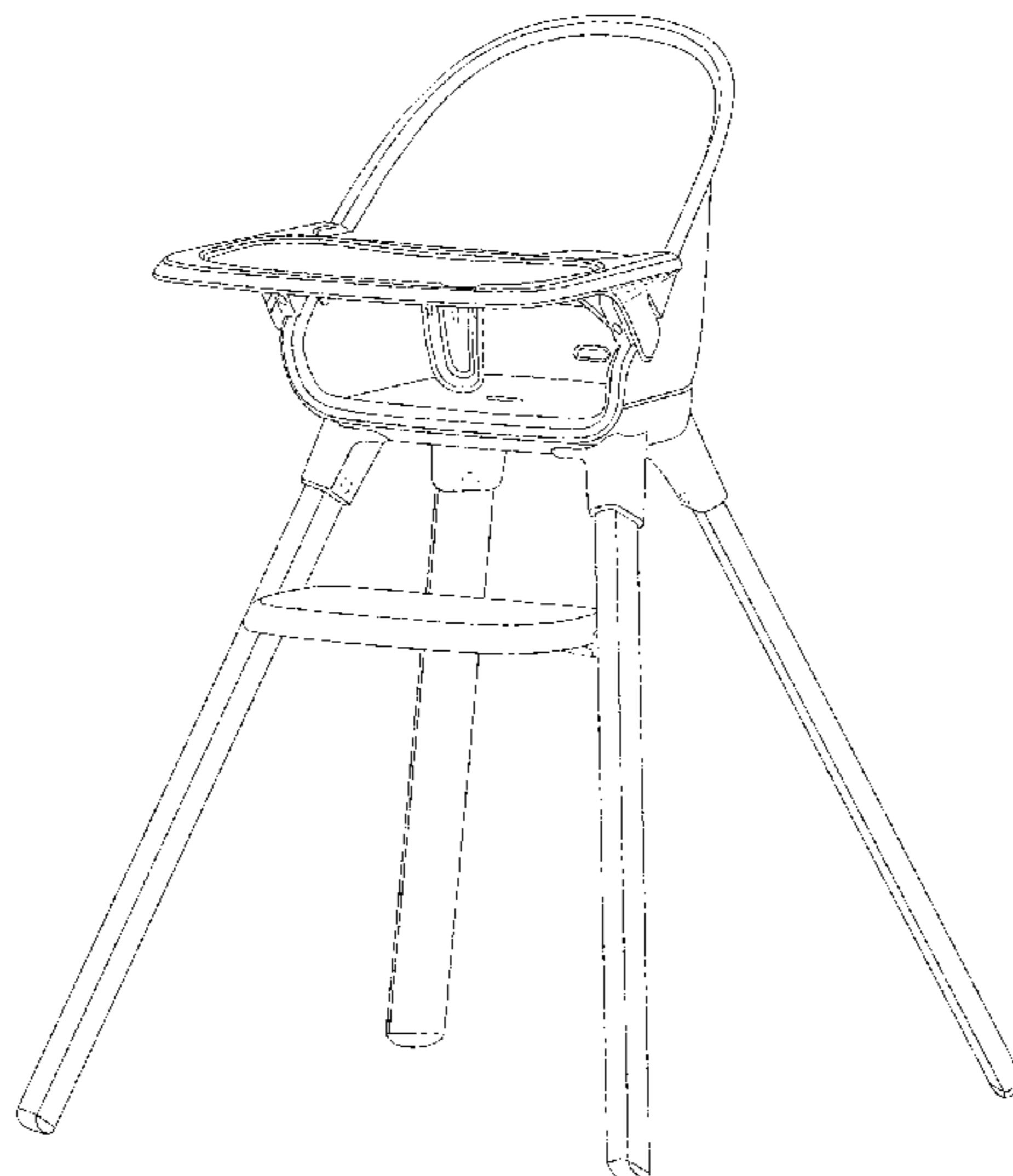
(57) **CLAIM**

The ornamental design for a high chair, as shown and described.

DESCRIPTION

1. High chair
1.1: Perspective
1.2: Front
1.3: Back
1.4: Right
1.5: Left
1.6: Top
1.7: Bottom
The broken lines depict portions of the article that form no part of the claimed design.

1 Claim, 7 Drawing Sheets



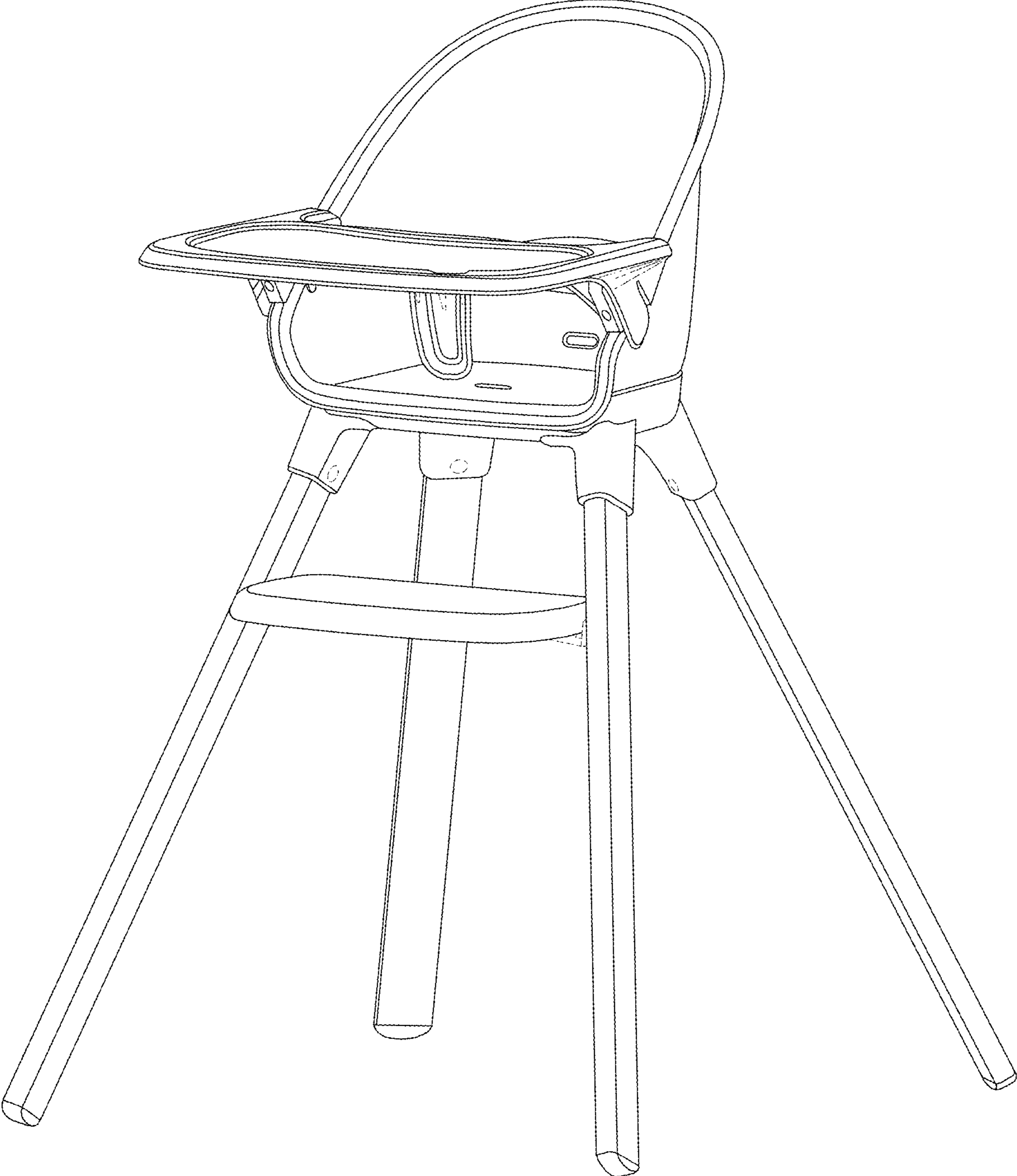
(56)

References Cited

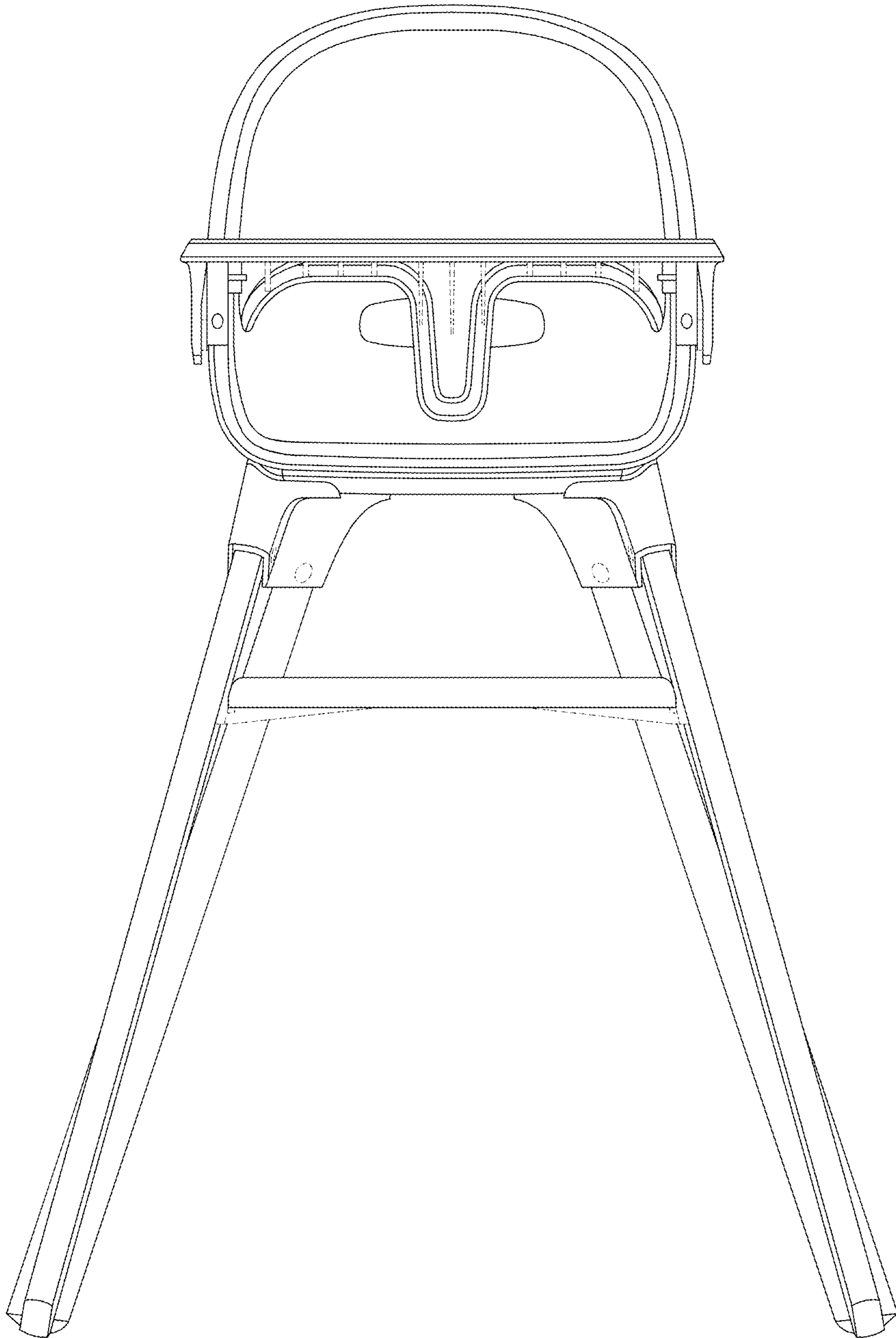
U.S. PATENT DOCUMENTS

2012/0025569 A1* 2/2012 Bergkvist A47D 1/0085
297/174 R
2012/0032491 A1* 2/2012 Bergkvist A47D 1/023
297/445.1
2013/0099545 A1* 4/2013 Cheng A47D 1/002
297/423.4
2015/0289674 A1* 10/2015 Winterhalter A47D 1/002
297/16.1
2015/0359354 A1* 12/2015 Greger A47D 1/023
297/134
2016/0051063 A1* 2/2016 Cheng A47D 15/006
297/411.2
2016/0324330 A1* 11/2016 Xu A47D 1/002
2018/0064176 A1* 3/2018 Brown A41B 13/106
2018/0263379 A1* 9/2018 Cheng A47D 1/103
2018/0279799 A1* 10/2018 Ingraham A47D 1/103
2018/0279801 A1* 10/2018 Ingraham A47D 1/0083
2019/0231087 A1* 8/2019 Dziak A47D 1/0085
2020/0128970 A1* 4/2020 Pujol A47D 1/023
2021/0401189 A1* 12/2021 Yang A63H 33/086

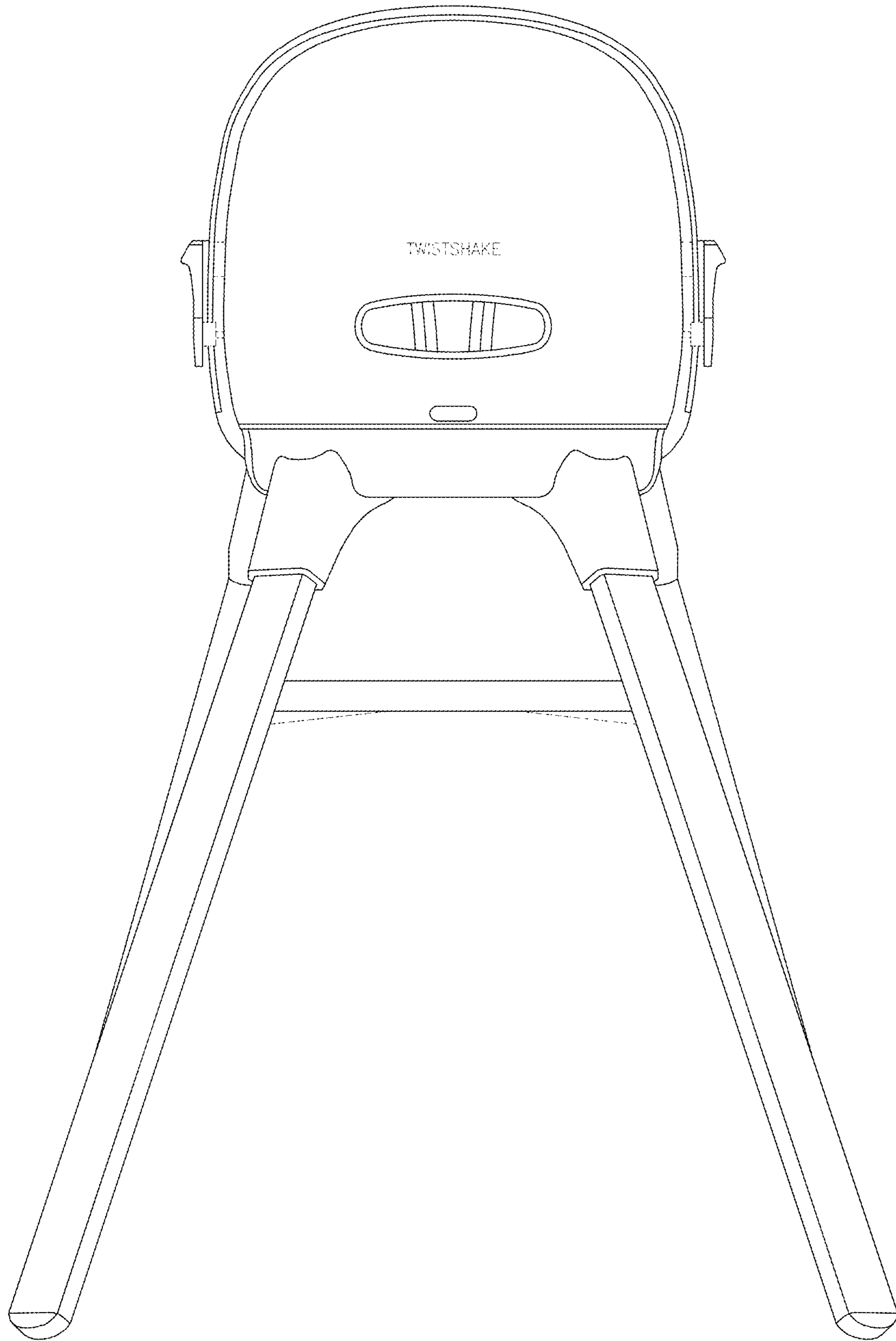
* cited by examiner



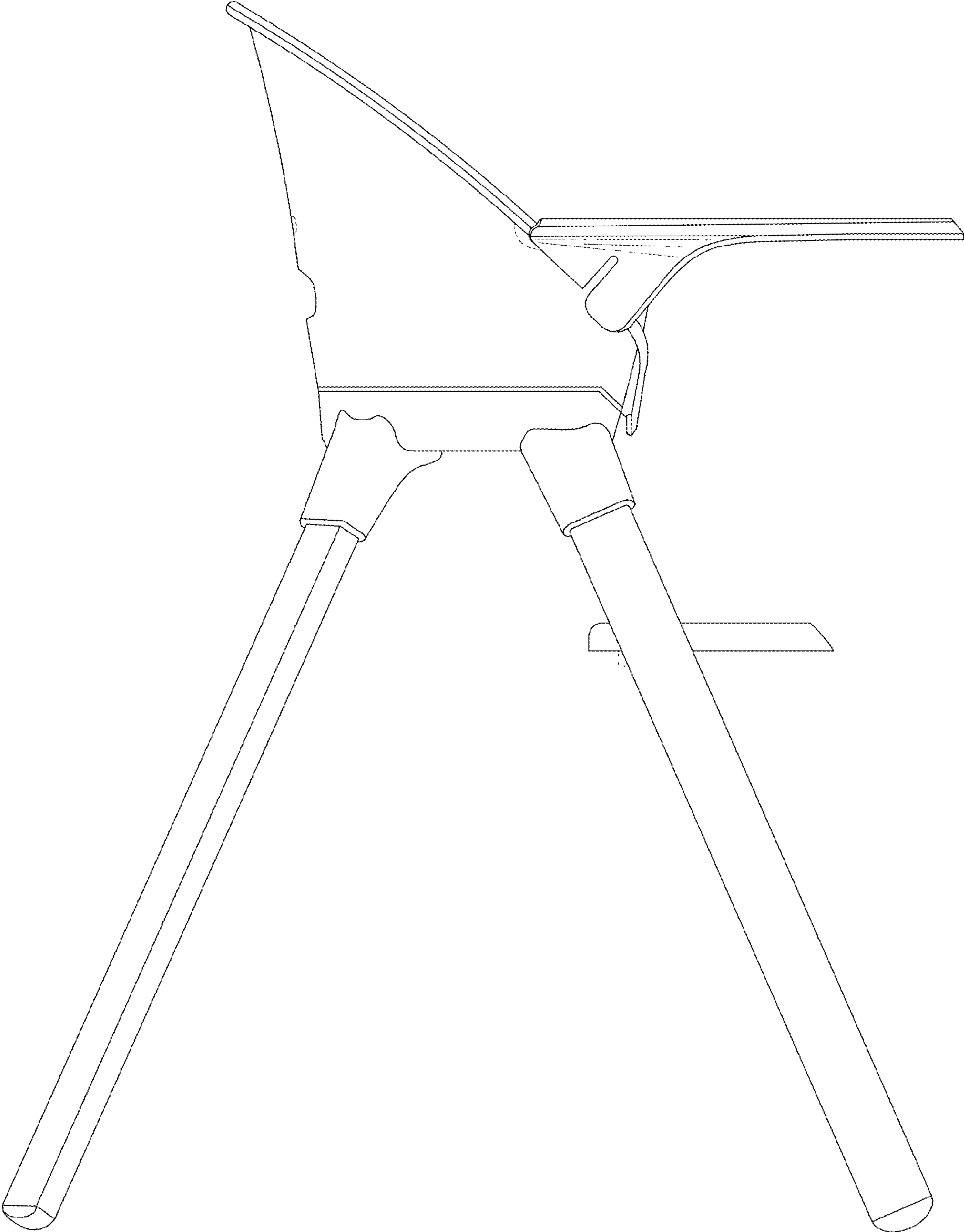
1.1



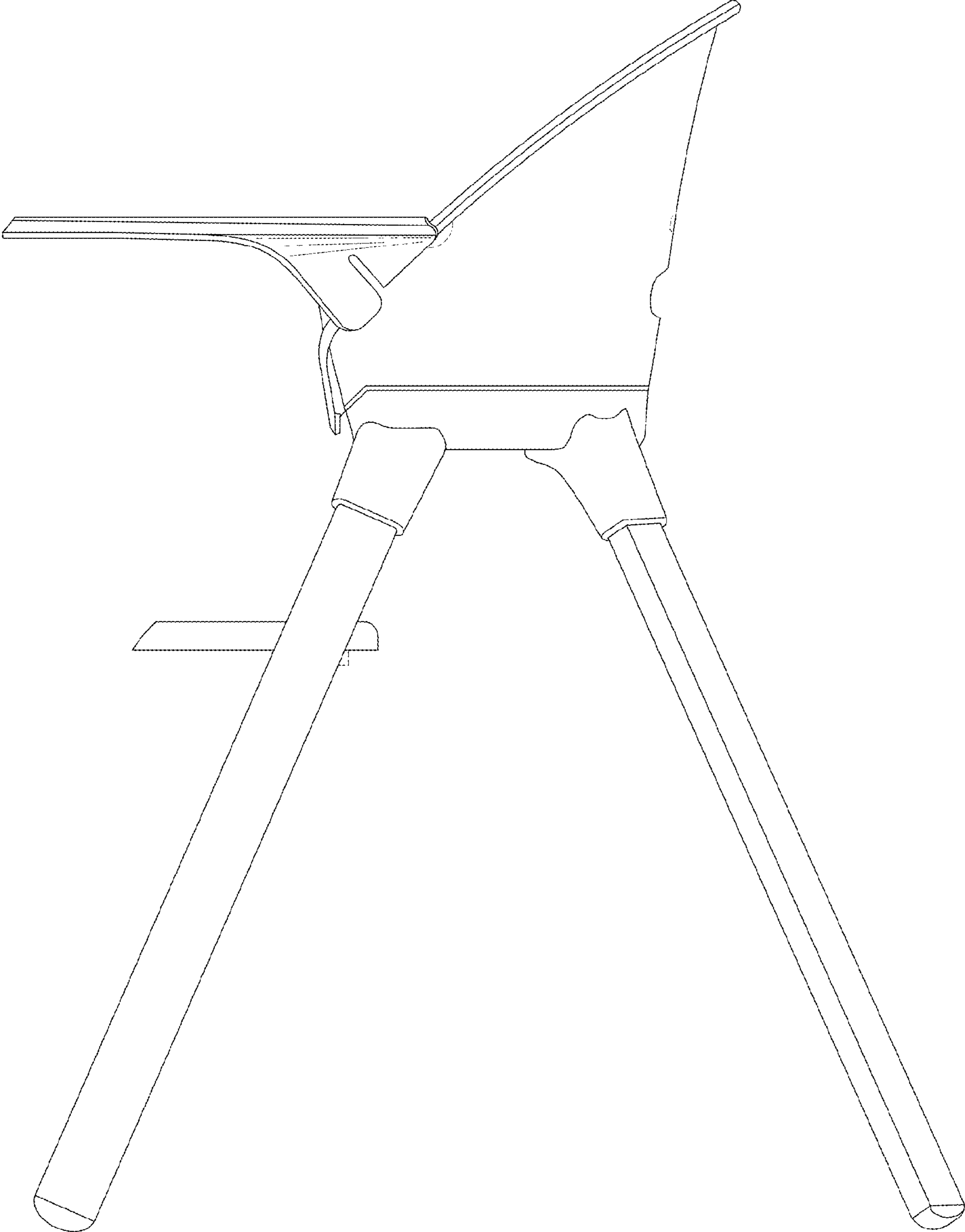
1.2



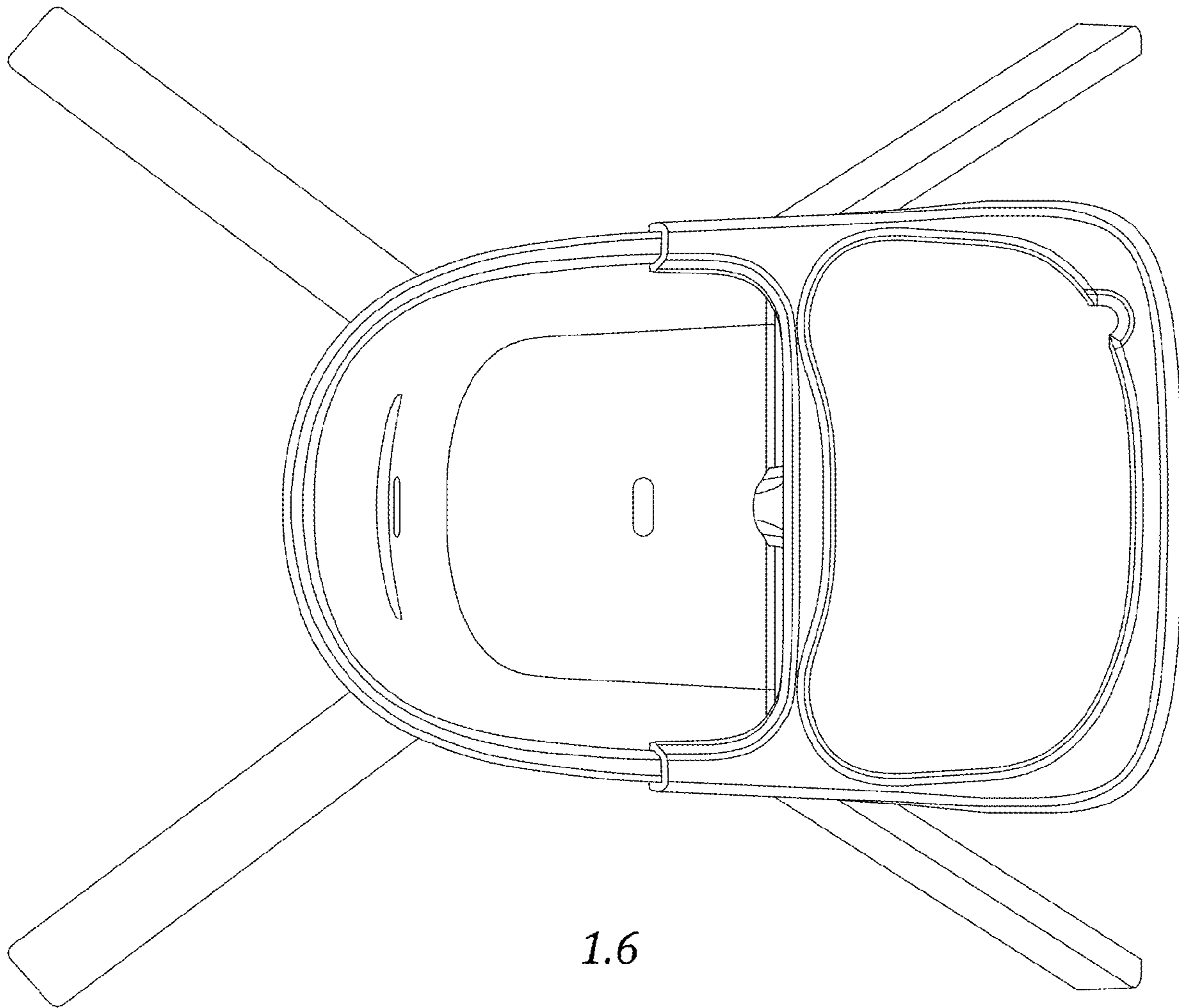
1.3



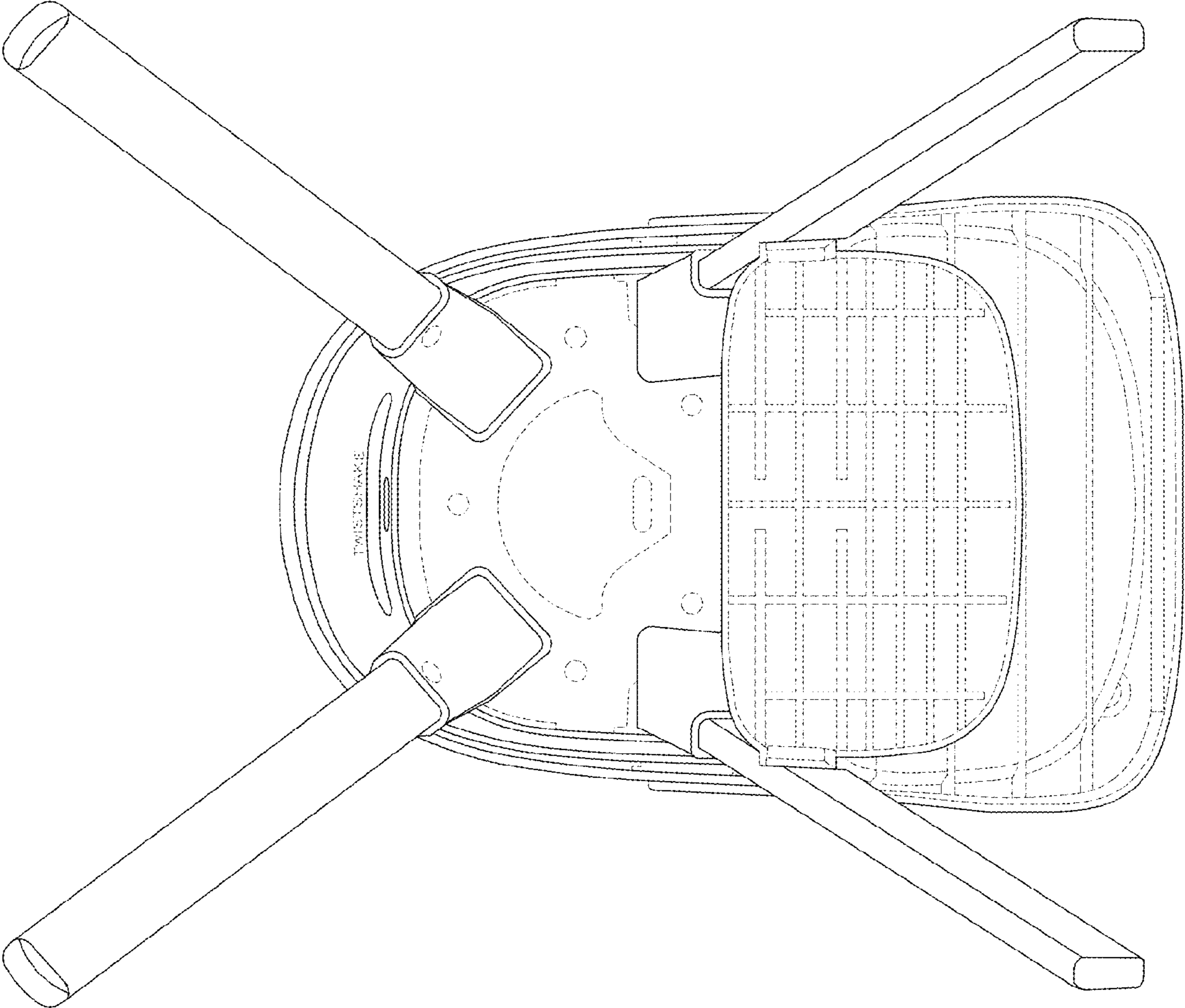
1.4



1.5



1.6



1.7