



US00D977850S

(12) **United States Design Patent** (10) **Patent No.:** **US D977,850 S**
Kong (45) **Date of Patent:** **** Feb. 14, 2023**

(54) **BENCH**

FOREIGN PATENT DOCUMENTS

(71) Applicant: **GoPlus Corp.**, Fontana, CA (US)

EM 005625043-0029 * 9/2018
EM 008629273-0003 * 7/2021

(72) Inventor: **Xujuan Kong**, Ningbo (CN)

OTHER PUBLICATIONS

(73) Assignee: **GOPLUS CORP.**, Fontana, CA (US)

Outsunny Patio Wicker Conversation Furniture Set, announced Jan. 21, 2019 [online], [site visited Aug. 24, 2022]. Available from internet, URL: <<https://www.amazon.com/dp/B07MYQCRFP?th=1>> (Year: 2019).*

(**) Term: **15 Years**

(21) Appl. No.: **29/722,879**

(Continued)

(22) Filed: **Feb. 3, 2020**

(51) **LOC (14) Cl.** **06-01**

Primary Examiner — Cynthia Ramirez

(52) **U.S. Cl.**

Assistant Examiner — Xavier Marti-Santos

USPC **D6/336**

(74) *Attorney, Agent, or Firm* — Troutman Pepper

(58) **Field of Classification Search**

Hamilton Sanders LLP

USPC D6/329, 334–338, 374, 375, 379–381,
D6/641, 685, 691, 691.1, 691.3, 692;
D21/519, 521, 522

(57) **CLAIM**

CPC A47B 3/06; A47B 39/00; A47B 83/00;
A47B 83/02; A47B 83/04; A47C 1/031;
A47C 4/024; A47C 4/027; A47C 4/03;
A47C 4/08; A47C 7/16; A47C 11/00

I claim the ornamental design for a bench, as shown and described.

See application file for complete search history.

DESCRIPTION

(56) **References Cited**

U.S. PATENT DOCUMENTS

2,690,570 A * 10/1954 Salisbury A47B 85/08
5/2.1
D190,904 S * 7/1961 Kasparian D6/336
D265,952 S * 8/1982 Theodore D6/370
D427,788 S * 7/2000 Paul D6/336
D558,471 S * 1/2008 Newhouse D6/337
D597,336 S * 8/2009 Anderson D6/381
D704,459 S * 5/2014 Zhang D6/335
D722,774 S * 2/2015 Thuma D6/336
D730,068 S * 5/2015 Thuma D6/336
D782,218 S * 3/2017 Dix D6/381
10,952,536 B1 * 3/2021 Williams A47B 83/02
D955,122 S * 6/2022 Kong D6/336

FIG. 1 is an upper perspective view of a bench showing my new design;

FIG. 2 is a lower perspective view thereof;

FIG. 3 is a front view thereof;

FIG. 4 is a rear view thereof;

FIG. 5 is a left-side view thereof;

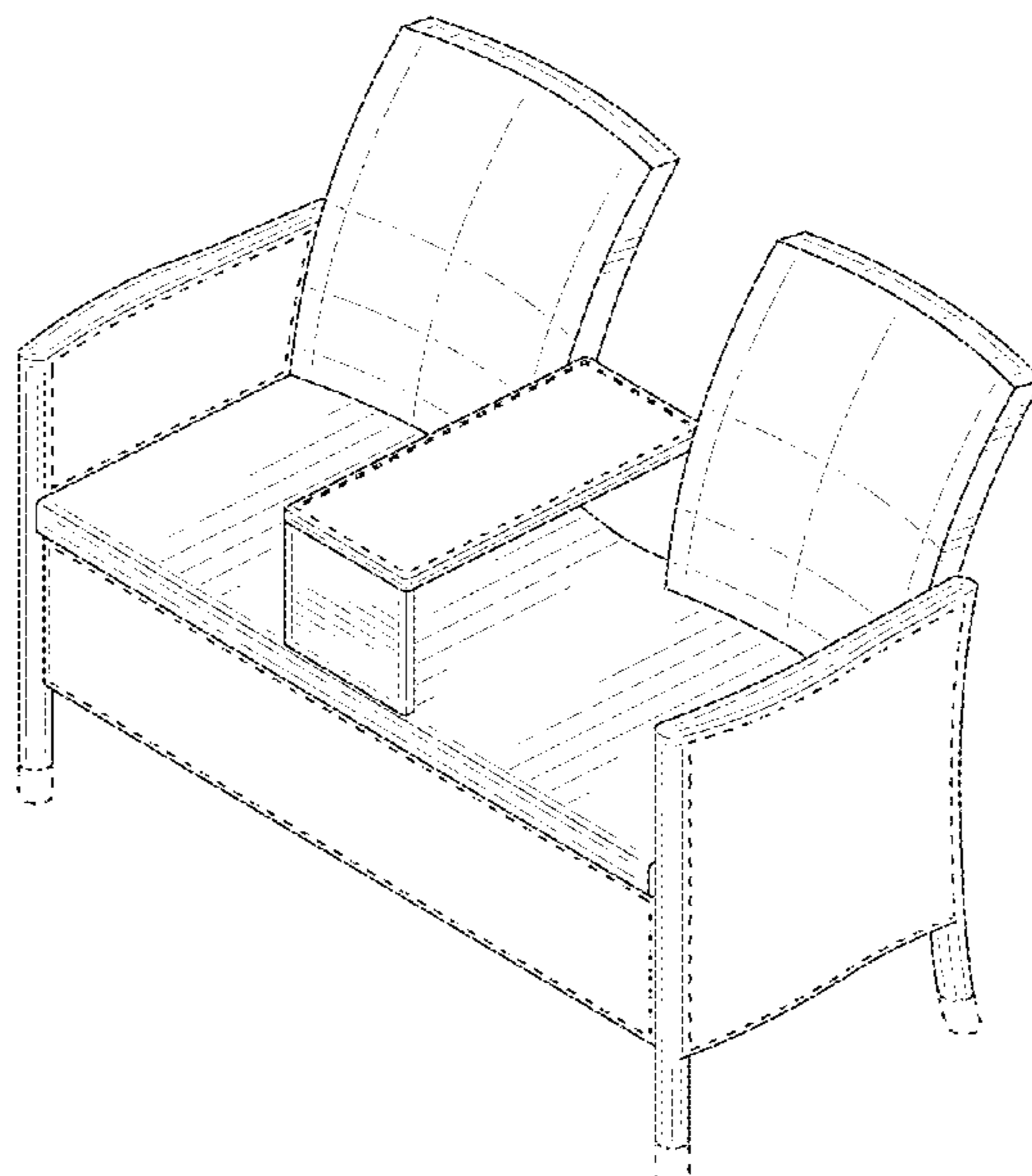
FIG. 6 is a right-side view thereof;

FIG. 7 is a top view thereof; and,

FIG. 8 is a bottom view thereof.

The broken lines in the figures are for the purpose of illustrating portions of the bench, which form no part of the claimed design. The shade lines represent surface shading and not surface ornamentation, color, or material type.

1 Claim, 8 Drawing Sheets



(56)

References Cited

OTHER PUBLICATIONS

Leasbar Outdoor Loveseat Patio Bench with Table Conversation Furniture Set [online], [site visited Aug. 24, 2022]. Available from internet, URL: <<https://www.amazon.com/dp/B0978KX745/>> (Year: 2021).*

Modern Patio Set with Built-in Coffee Table and Cushions [online], [site visited Aug. 24, 2022]. Available from internet, URL: <<https://www.costway.com/modern-patio-set-with-built-in-coffee-table-and-cushions.html>> (Year: 2022).*

* cited by examiner

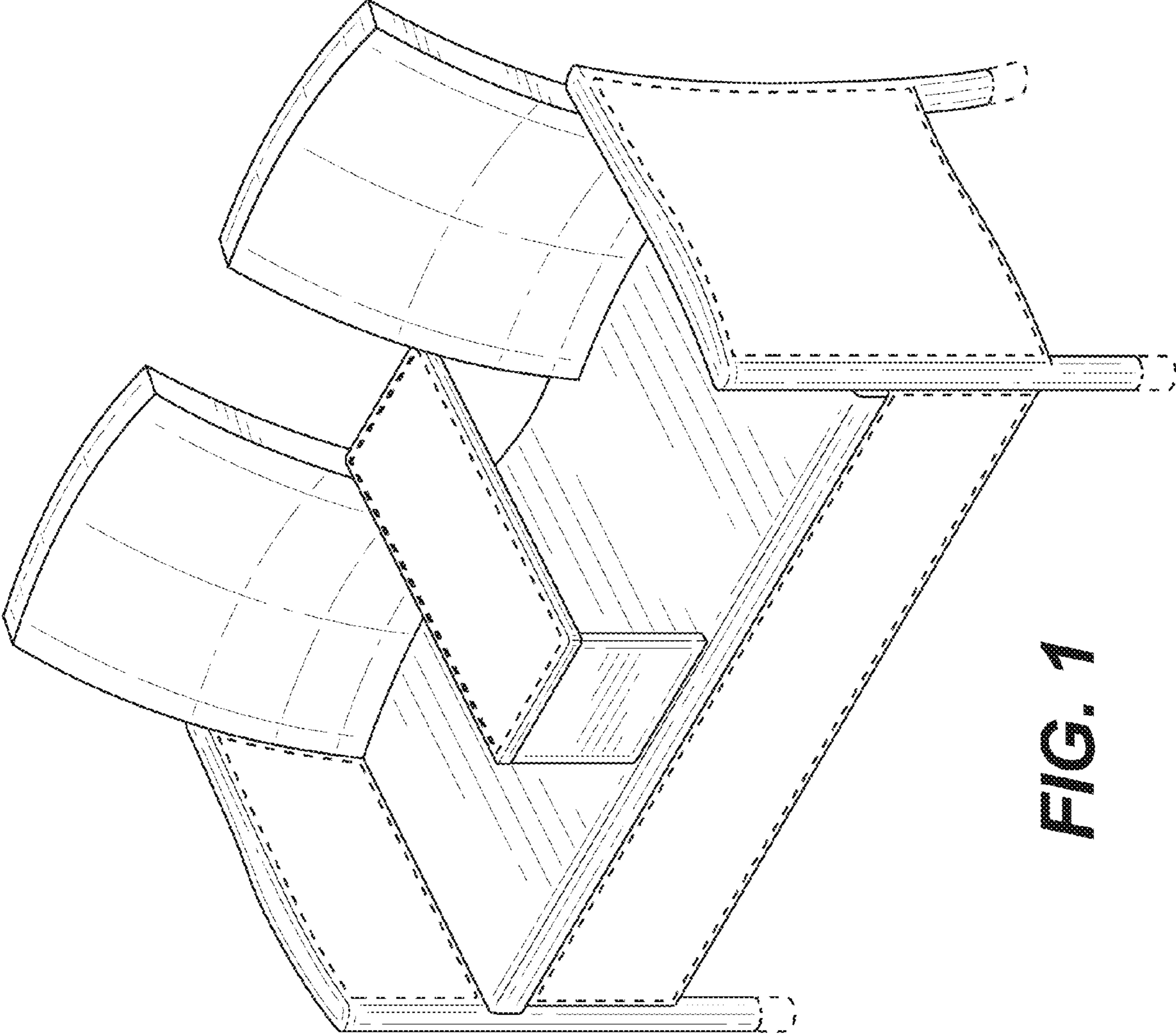


FIG. 1

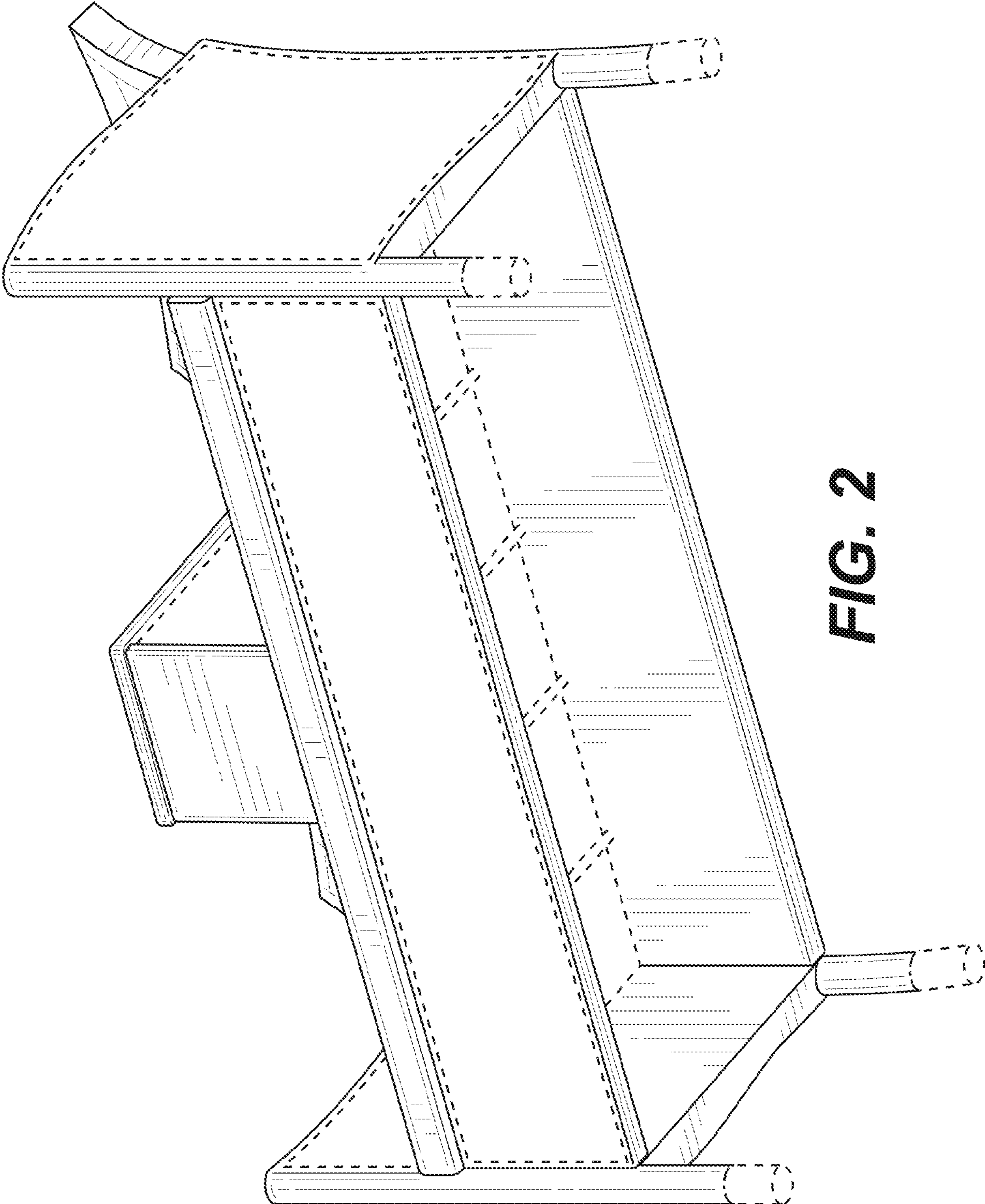


FIG. 2

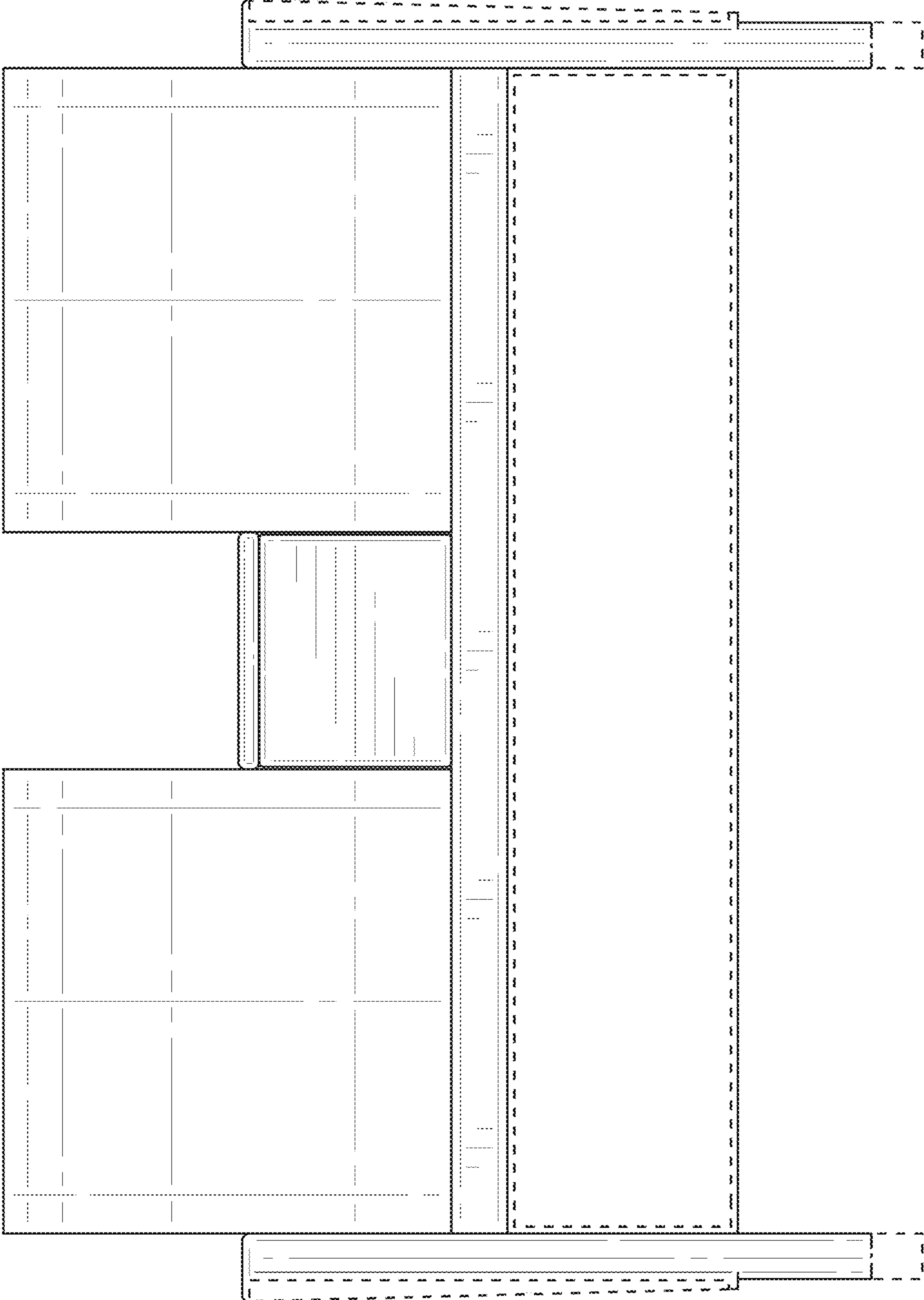


FIG. 3

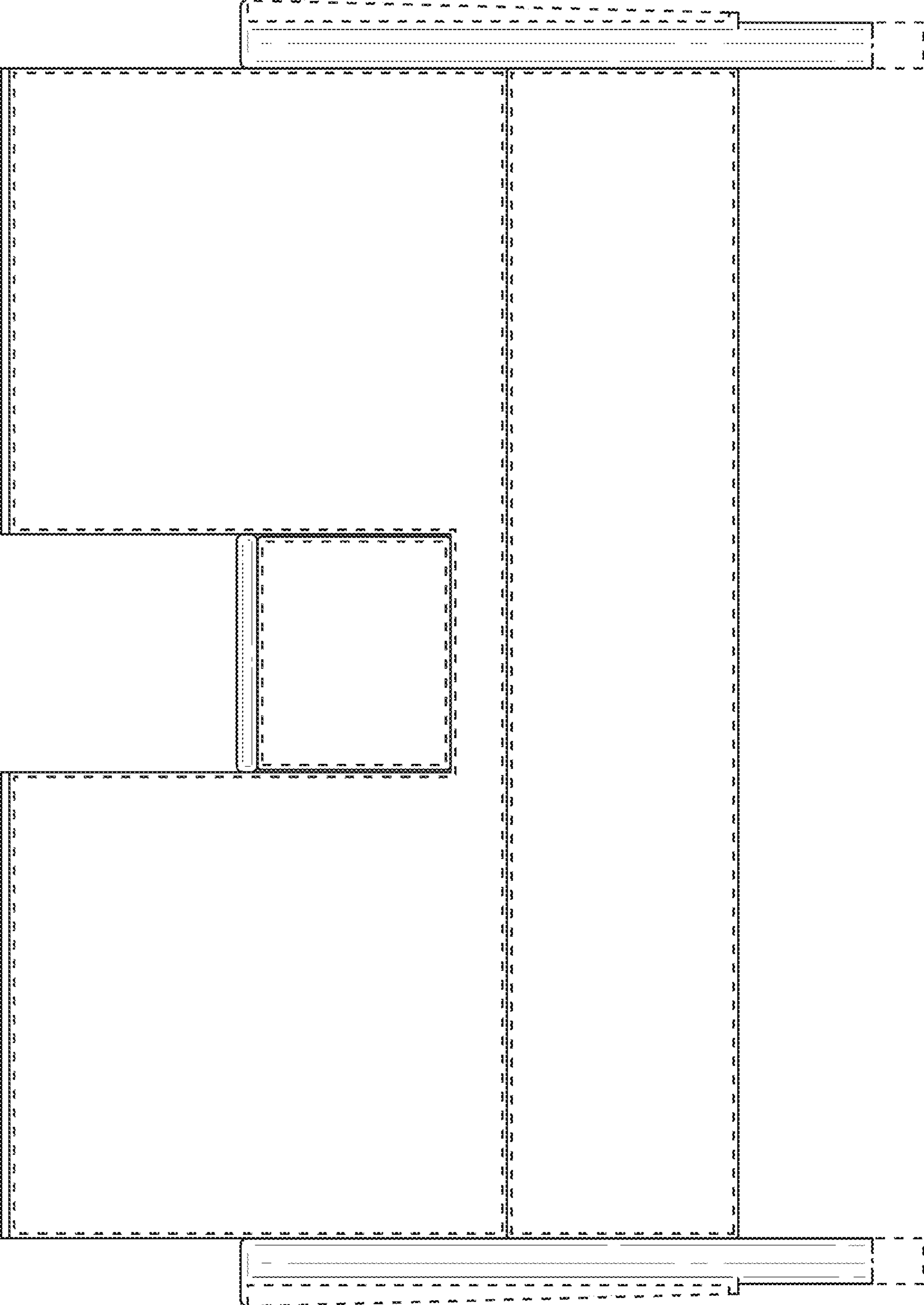


FIG. 4

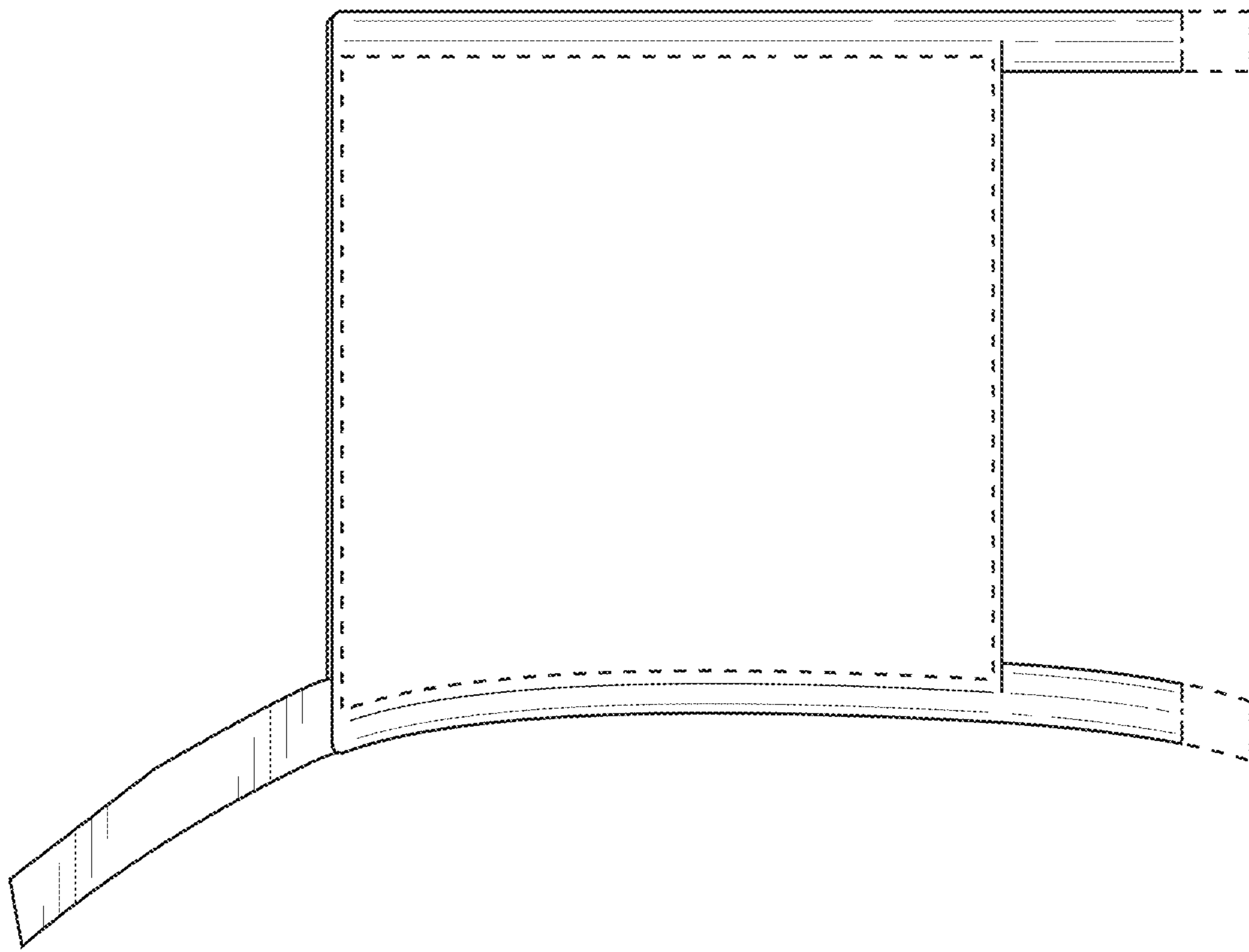


FIG. 5

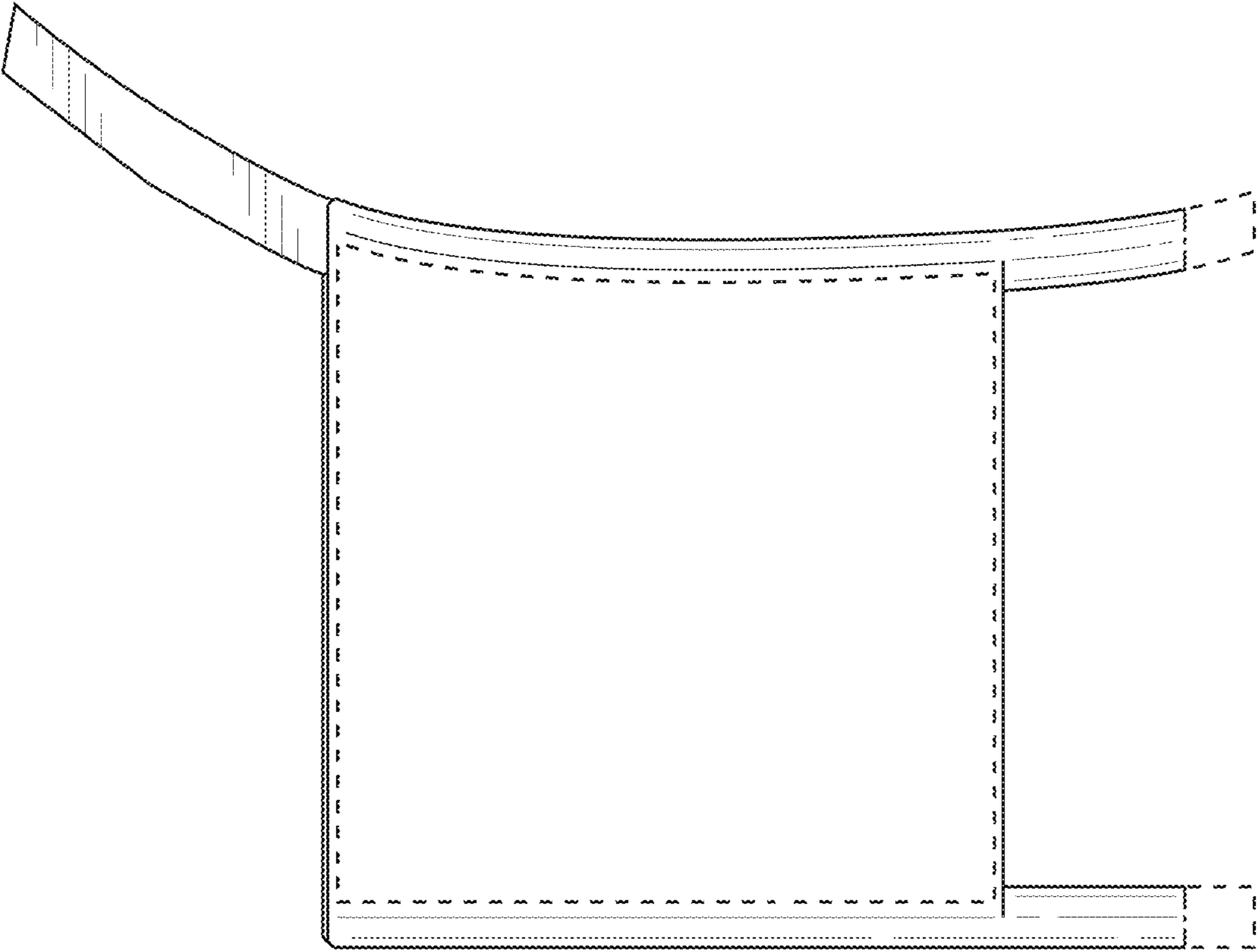


FIG. 6

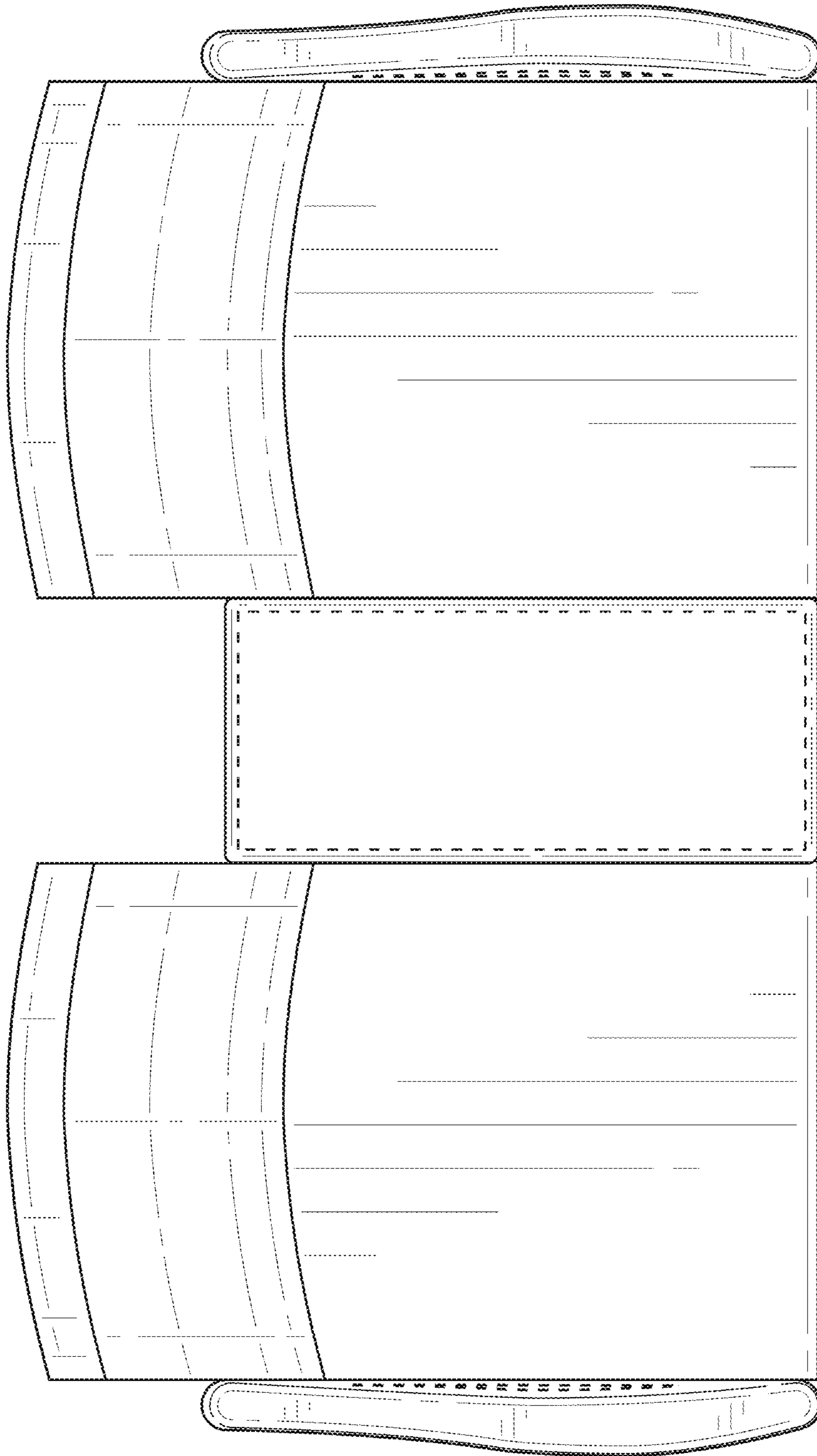


FIG. 7

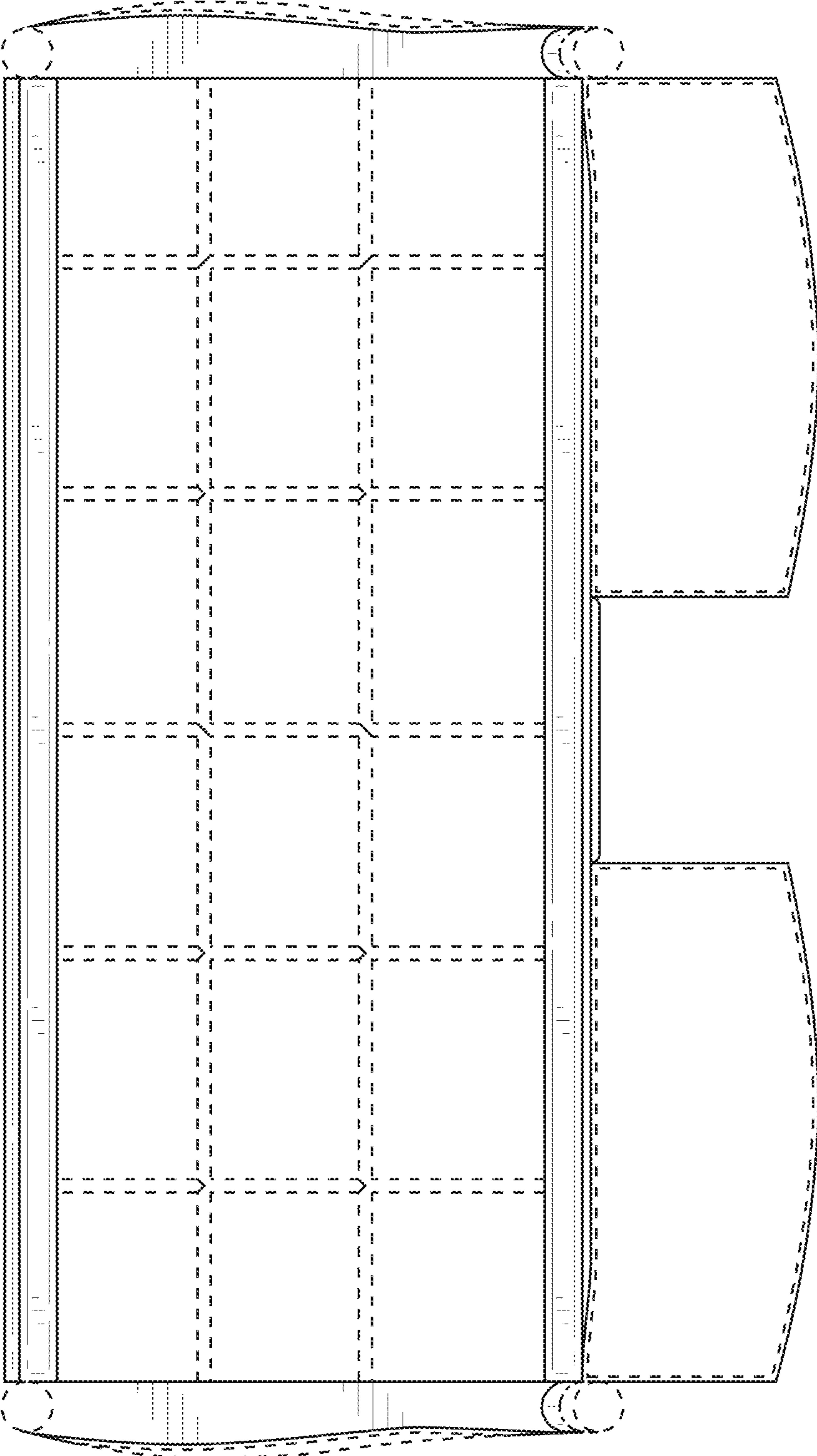


FIG. 8