



US00D977846S

(12) **United States Design Patent** (10) **Patent No.:** **US D977,846 S**
Xing (45) **Date of Patent:** **** Feb. 14, 2023**

(54) **PLAYPEN**

(71) Applicant: **Bingyang Xing**, Hebei (CN)

(72) Inventor: **Bingyang Xing**, Hebei (CN)

(**) Term: **15 Years**

(21) Appl. No.: **29/860,822**

(22) Filed: **Nov. 22, 2022**

(51) **LOC (14) Cl.** **06-06**

(52) **U.S. Cl.**
USPC **D6/331**

(58) **Field of Classification Search**
USPC D6/331, 333, 383, 390; D21/815;
D25/38.1, 48.5; D30/108, 118-119
CPC A47D 13/065; A47D 13/066; E06B 11/02
See application file for complete search history.

(56) **References Cited**

U.S. PATENT DOCUMENTS

D43,457 S *	1/1913	Ferris	D30/114
D131,147 S *	1/1942	Richardson	D30/118
2,866,983 A *	1/1959	Rose	A47D 13/065
				5/99.1
3,021,116 A *	2/1962	Querengesser	E06B 11/02
				256/72
D244,890 S *	7/1977	Adams	D6/331
D422,367 S *	4/2000	Mishina	D25/38.1
6,098,217 A *	8/2000	Hammil	A47D 13/066
				5/93.1
8,141,517 B2 *	3/2012	Shimoda	A01K 1/034
				119/512
D900,409 S *	10/2020	Huthmaker	D30/119
D909,772 S *	2/2021	Lu	D6/331
D930,373 S	9/2021	Zhang		
D946,912 S *	3/2022	Wu	D6/331
D957,146 S *	7/2022	Qiu	D6/331
D959,859 S *	8/2022	Zhao	D6/331
D960,591 S *	8/2022	Han	D6/331
D964,055 S *	9/2022	Choi	D6/331
D965,311 S *	10/2022	Ge	D6/331

OTHER PUBLICATIONS

Sweeby Baby Playpen, available in Amazon.ca, date first available Jul. 31, 2022 [online], Retrieved on Dec. 9, 2022 from URL: <https://www.amazon.ca/Playpen-Playpens-Toddlers-79x71in-Activity/dp/B09MHLSQYZ/> (Year: 2022).*

* cited by examiner

Primary Examiner — Vy N Koenig
Assistant Examiner — Michelle M Reeves

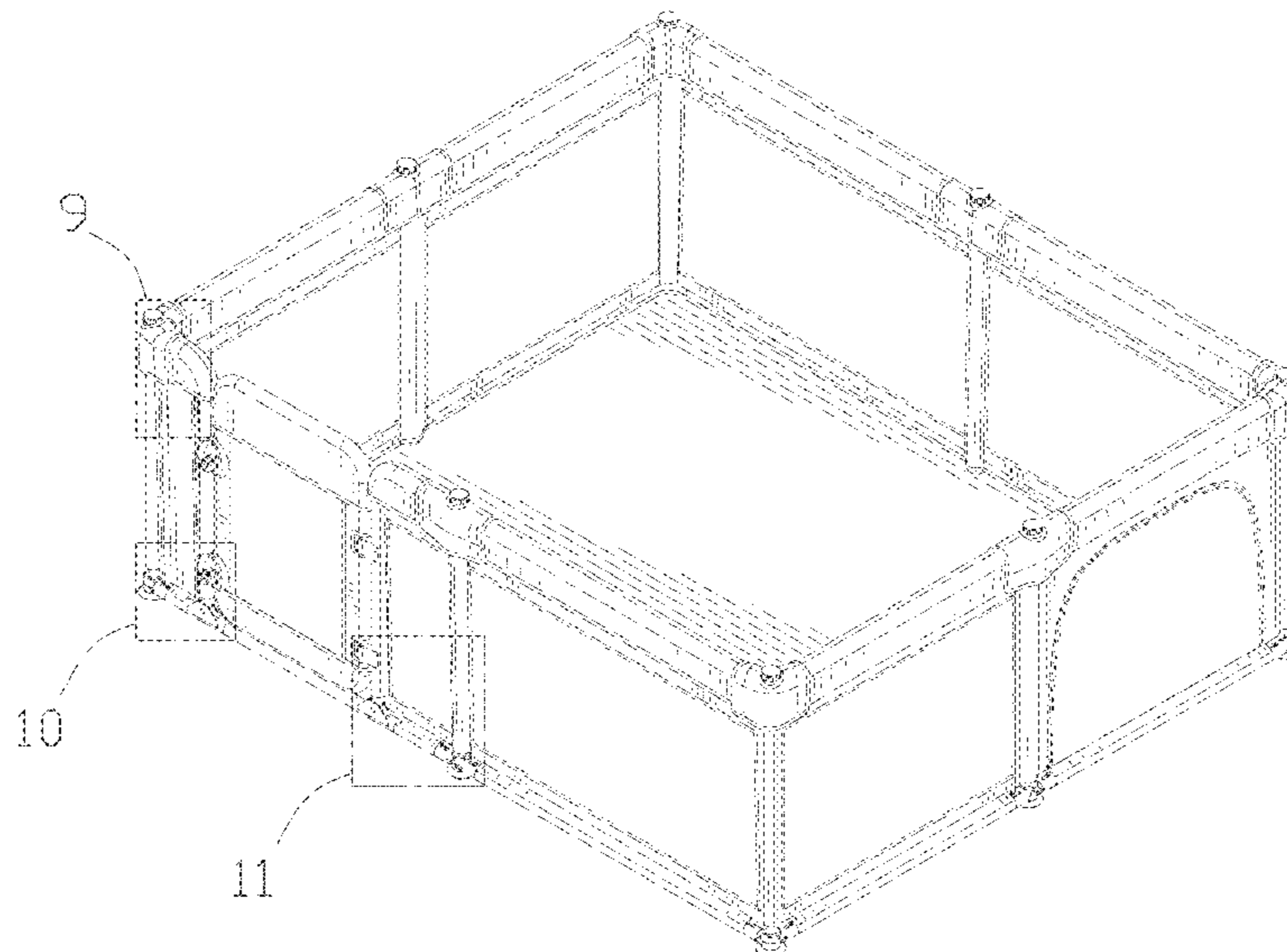
(57) **CLAIM**

The ornamental design for a playpen, as shown and described.

DESCRIPTION

FIG. 1 is a front and top perspective view of a playpen, showing my new design;
FIG. 2 is a rear and bottom perspective view thereof;
FIG. 3 is a front elevation view thereof;
FIG. 4 is a rear elevation view thereof;
FIG. 5 is a left side elevation view thereof;
FIG. 6 is a right side elevation view thereof;
FIG. 7 is a top plan view thereof;
FIG. 8 is a bottom plan view thereof;
FIG. 9 is an enlarged perspective view of detail "9" identified in FIG. 1;
FIG. 10 is an enlarged perspective view of detail "10" identified in FIG. 1;
FIG. 11 is an enlarged perspective view of detail "11" identified in FIG. 1; and,
FIG. 12 is an enlarged perspective view of detail "12" identified in FIG. 2.
The dashed lines in the figures illustrate portions of the playpen that form no part of the claimed design. The dash dot dash lines in FIGS. 1, 2, 9, 10, 11 and 12 are for the purpose of illustrating the enlarged views indicators and form no part of the claimed design.

1 Claim, 12 Drawing Sheets



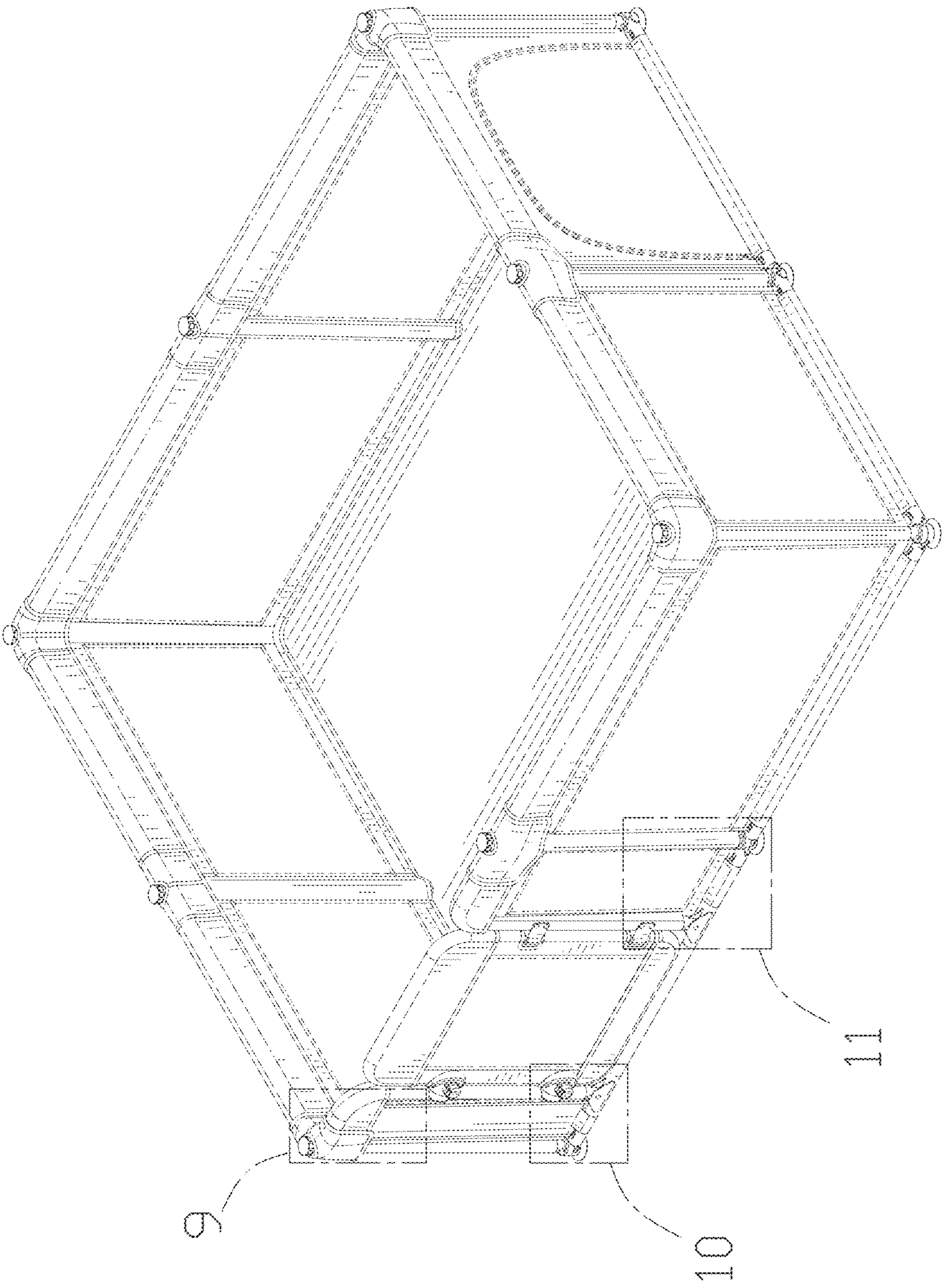


FIG. 1

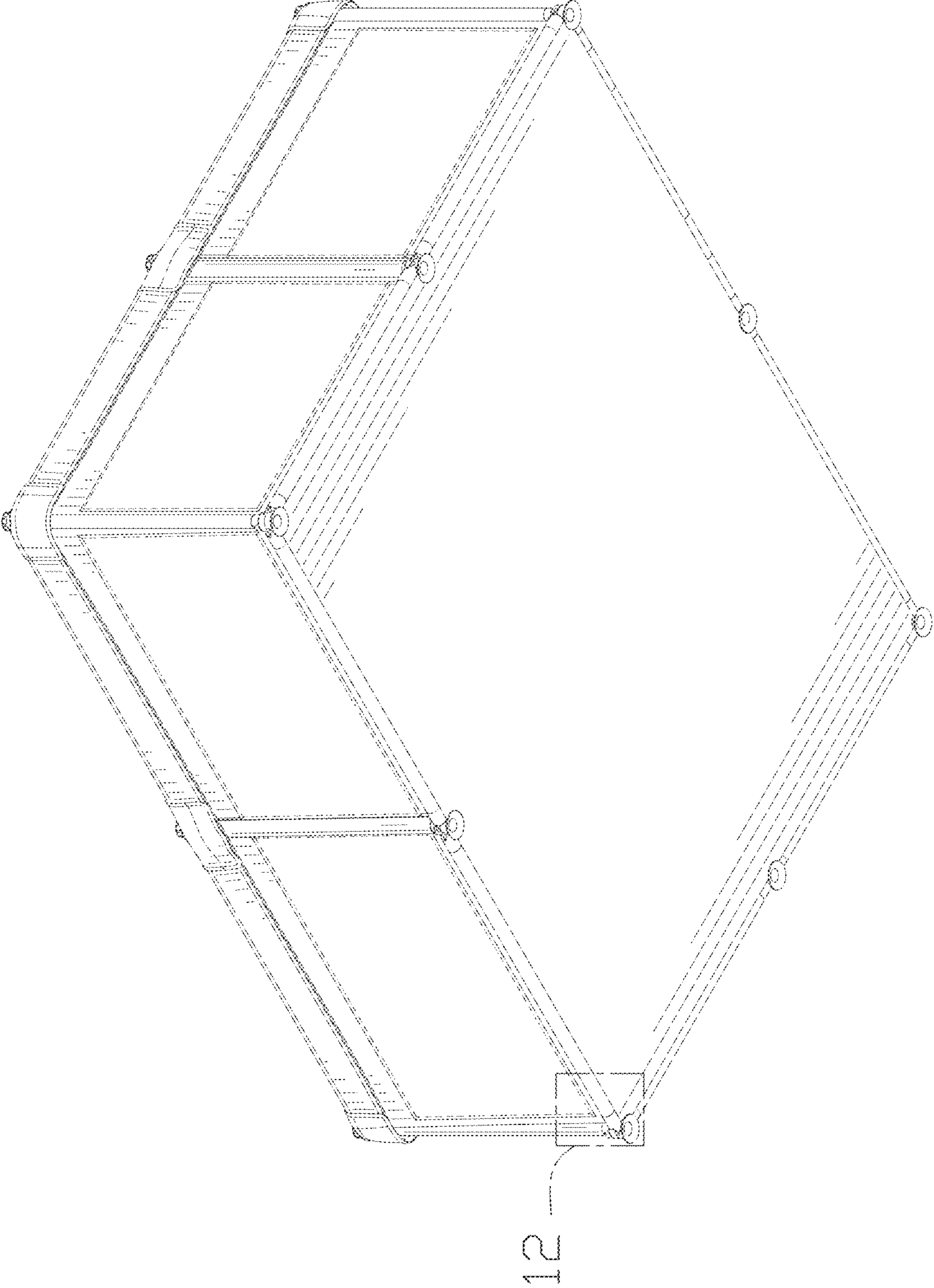


FIG. 2

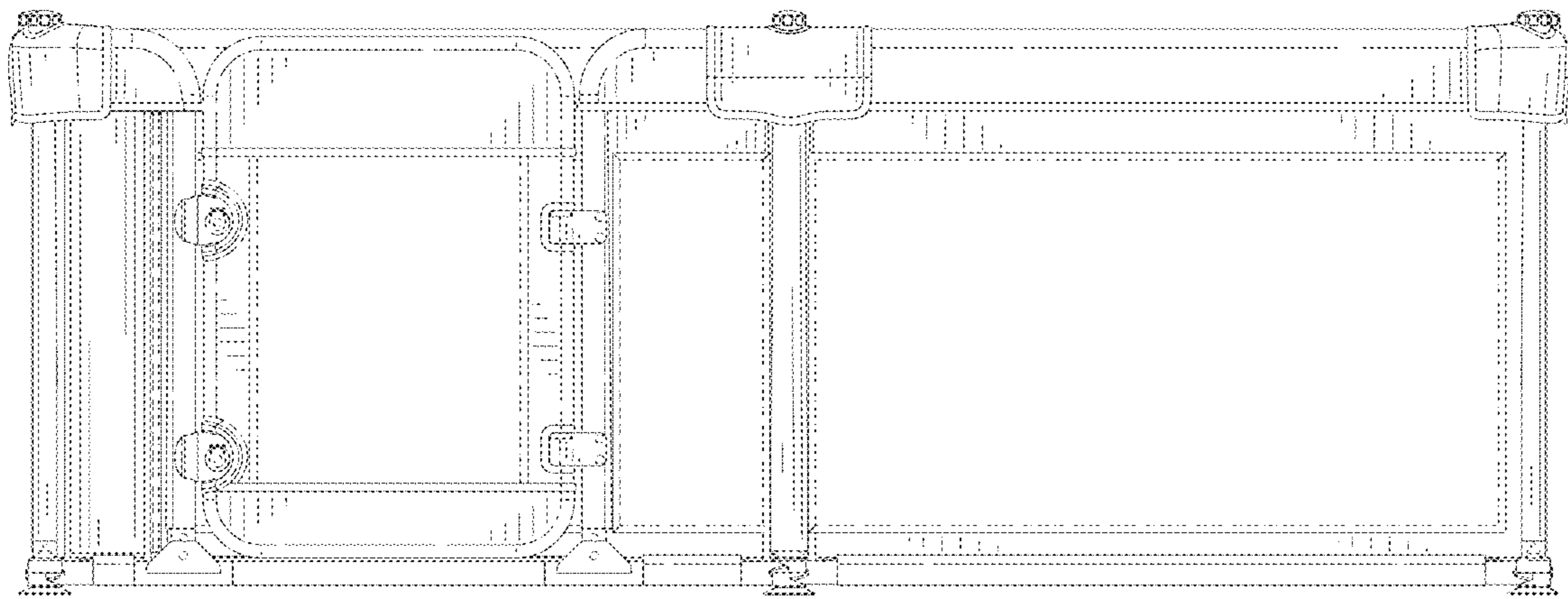


FIG. 3

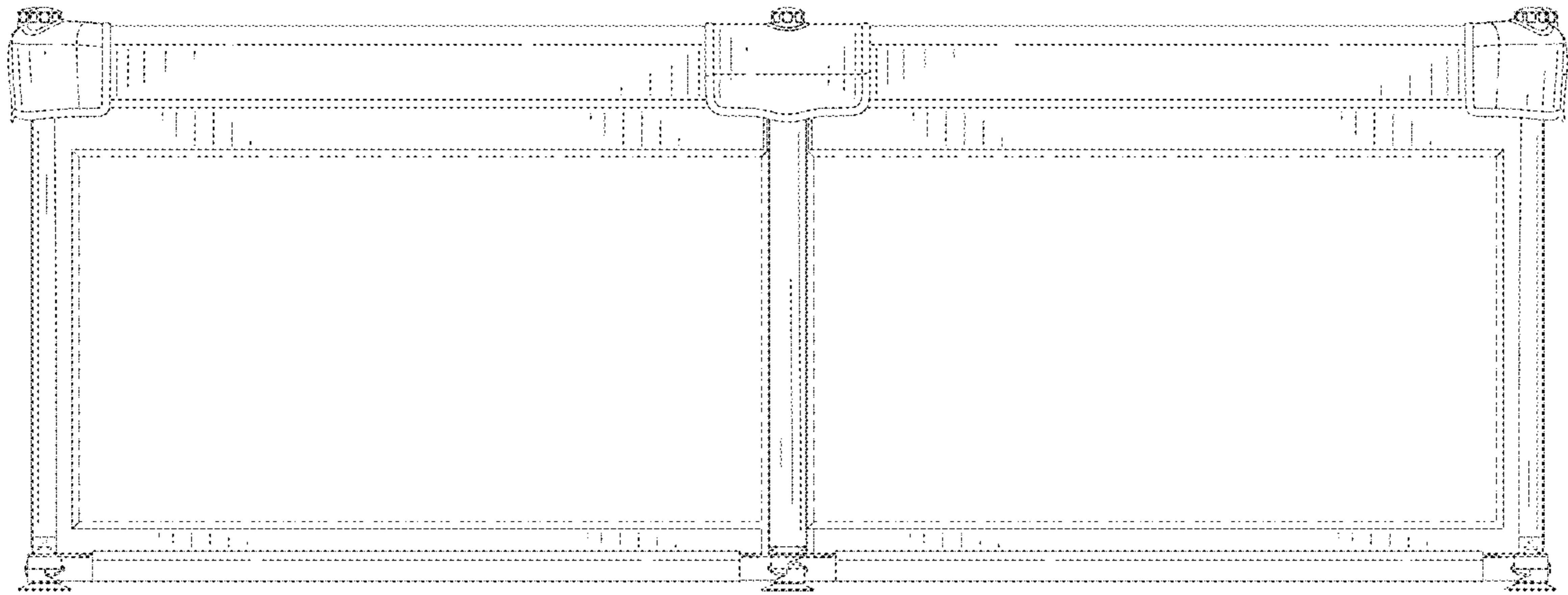


FIG. 4

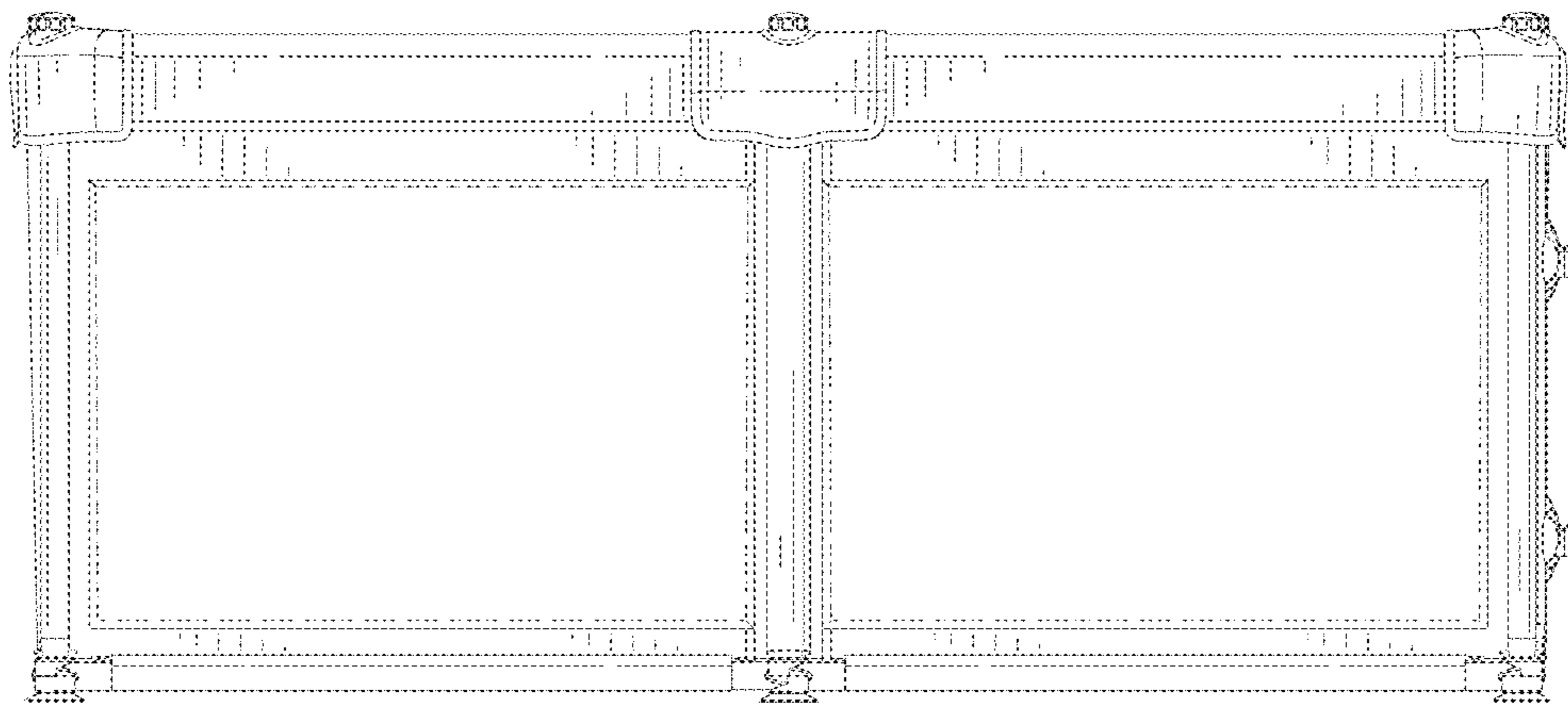


FIG. 5

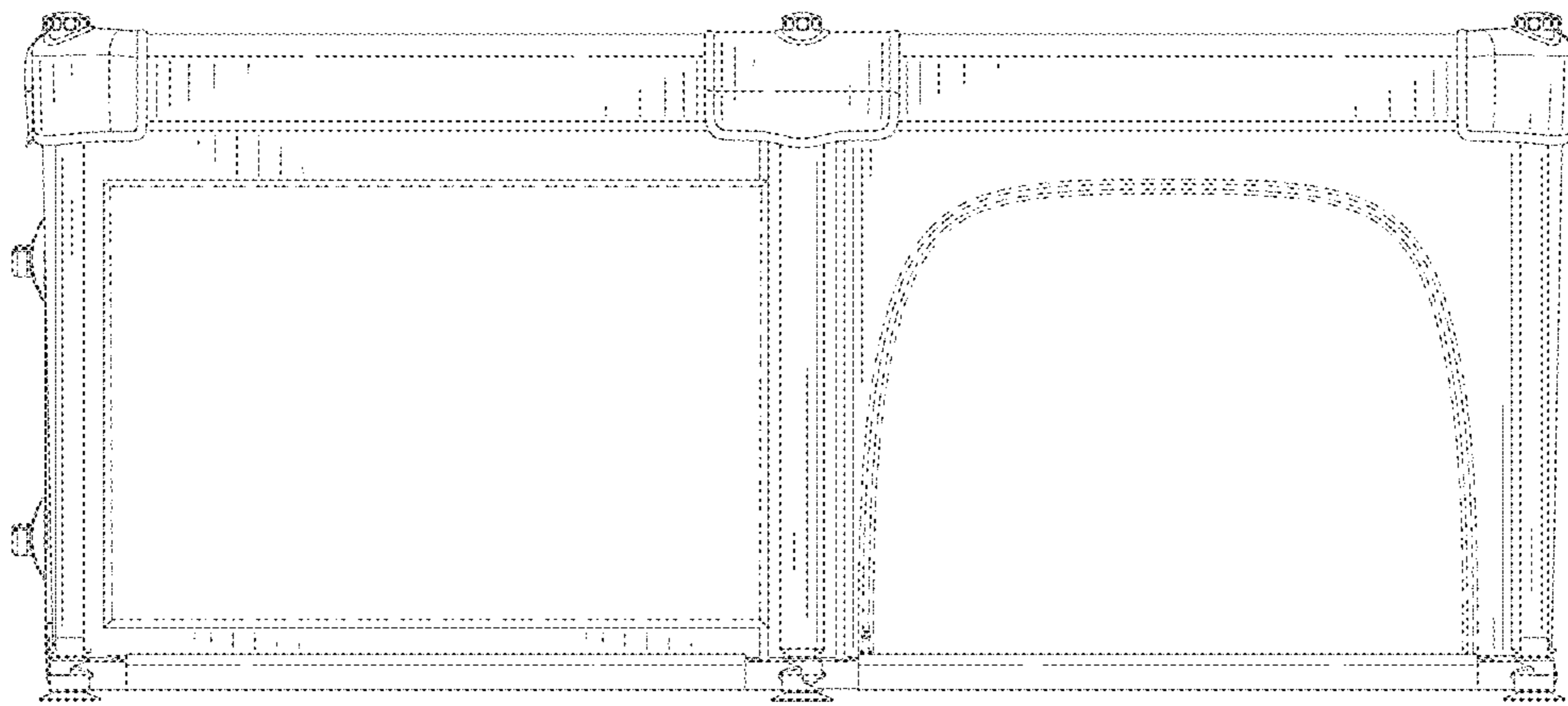


FIG. 6

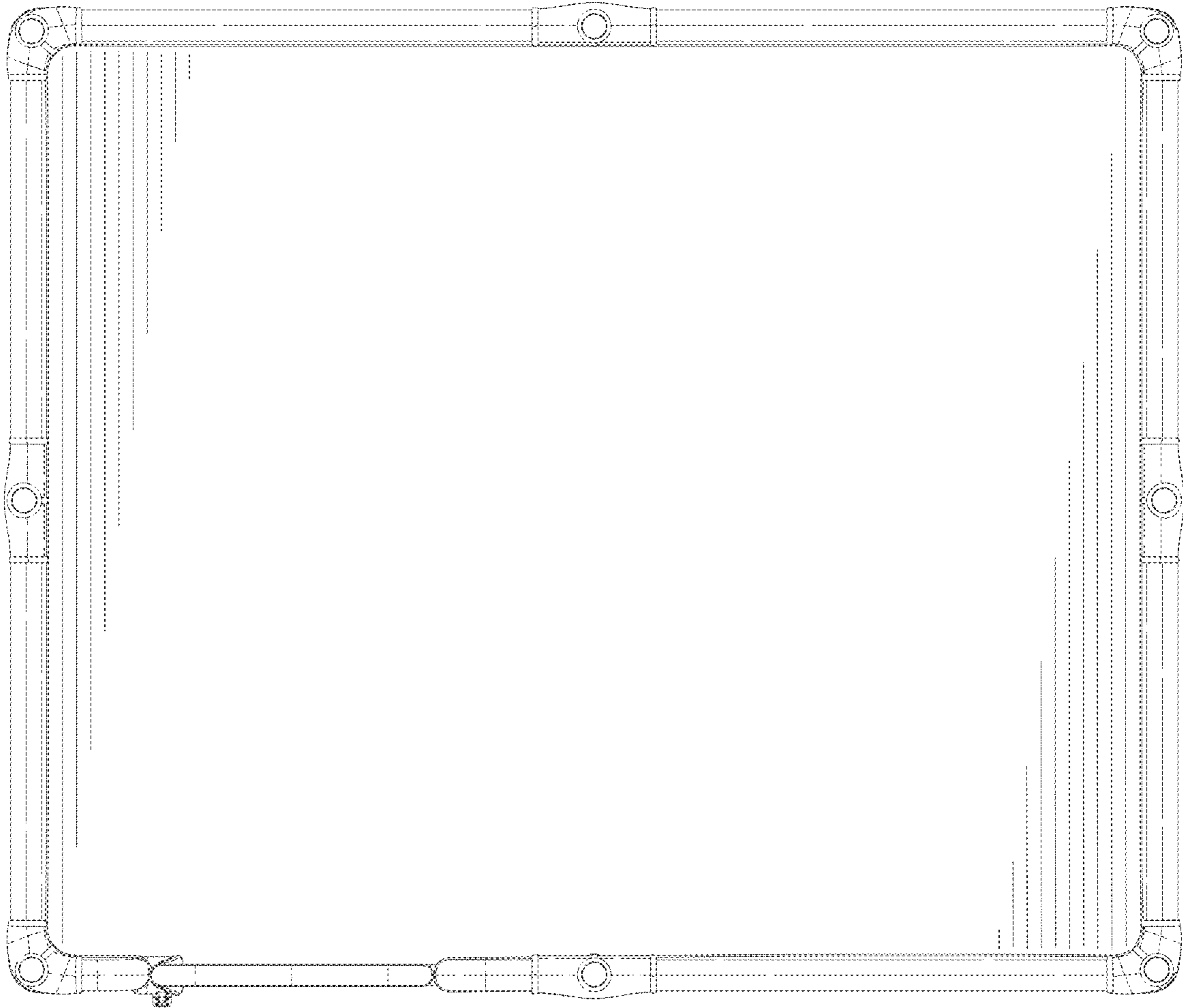


FIG. 7

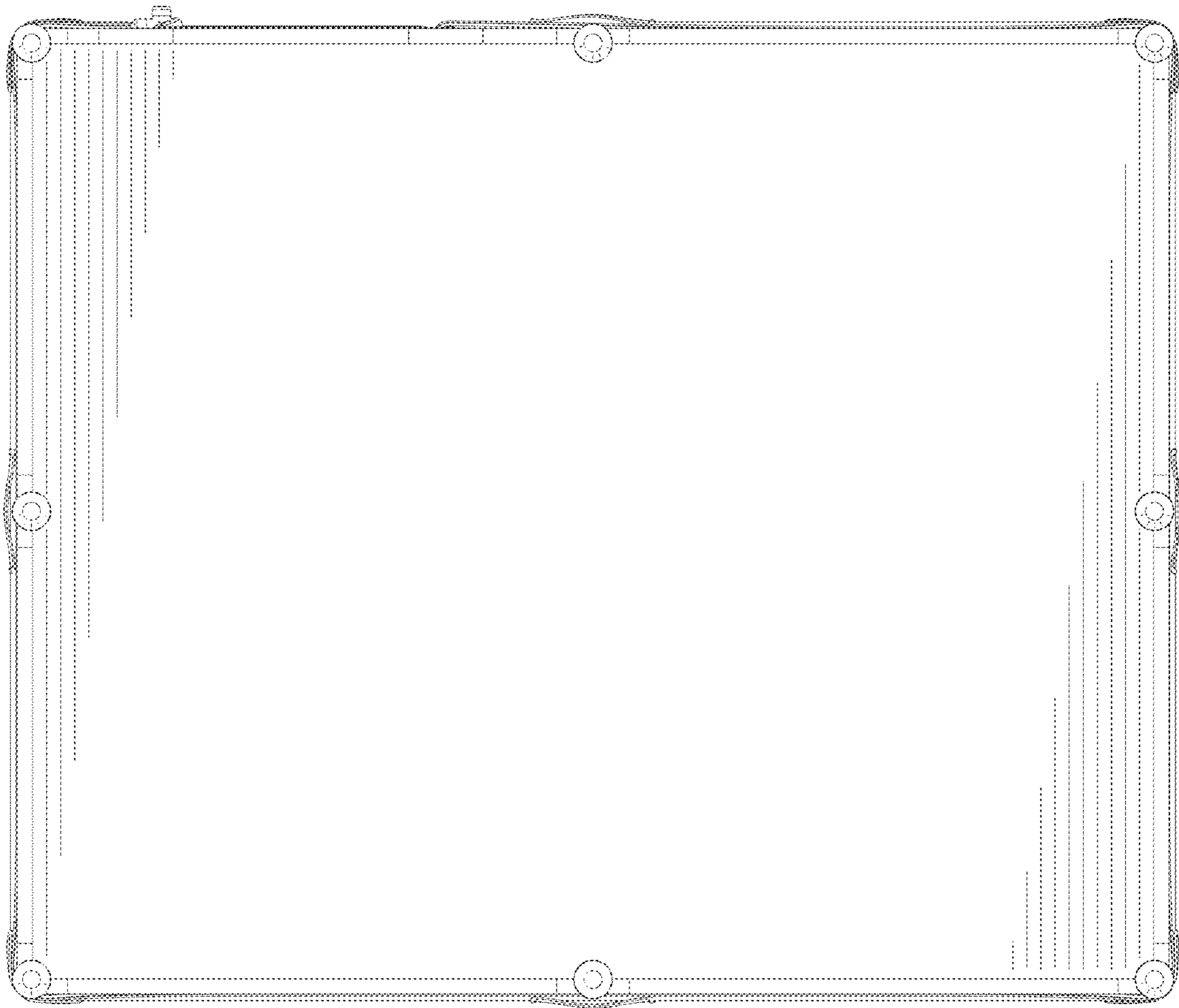


FIG. 8

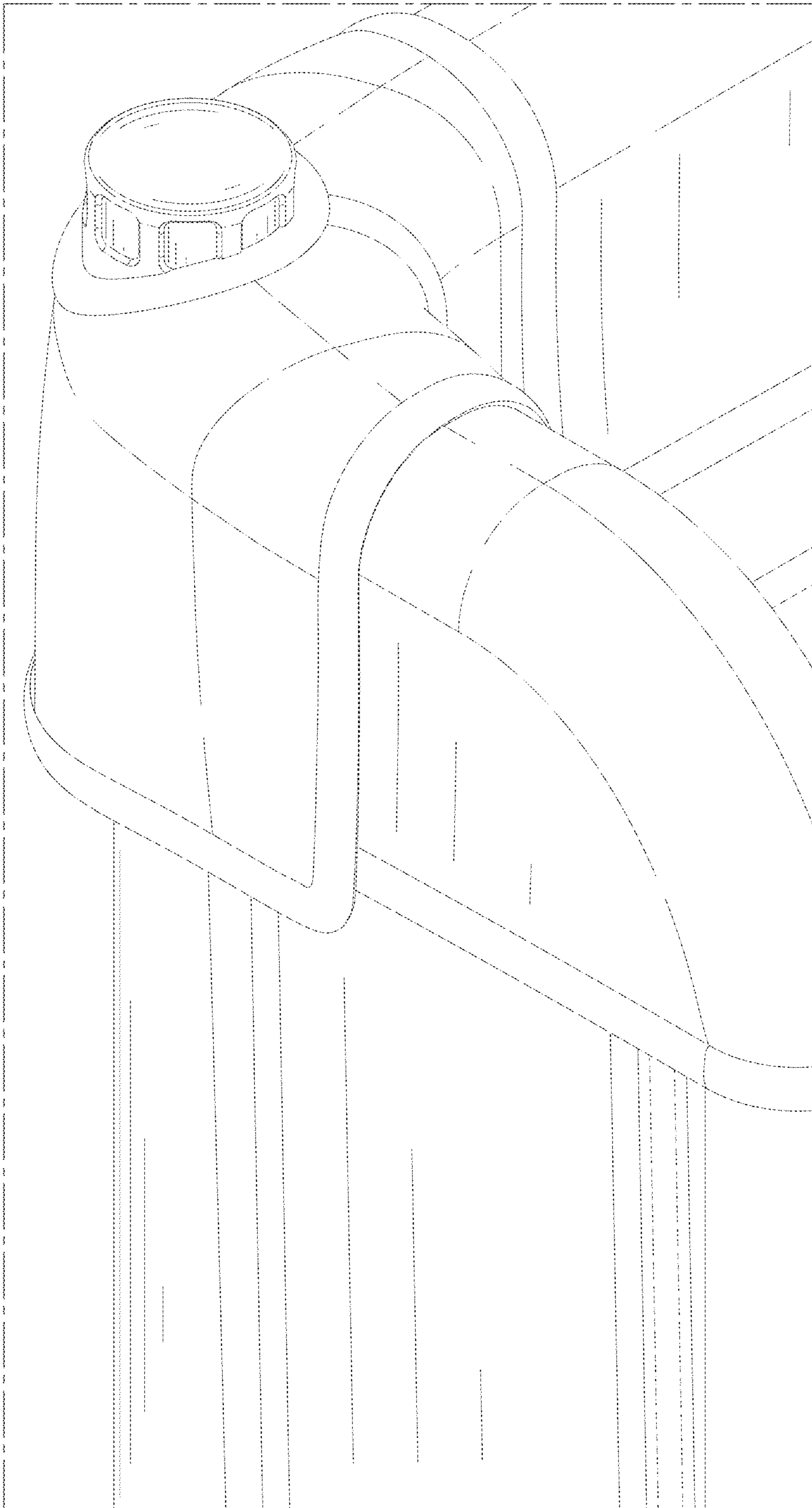


FIG. 9

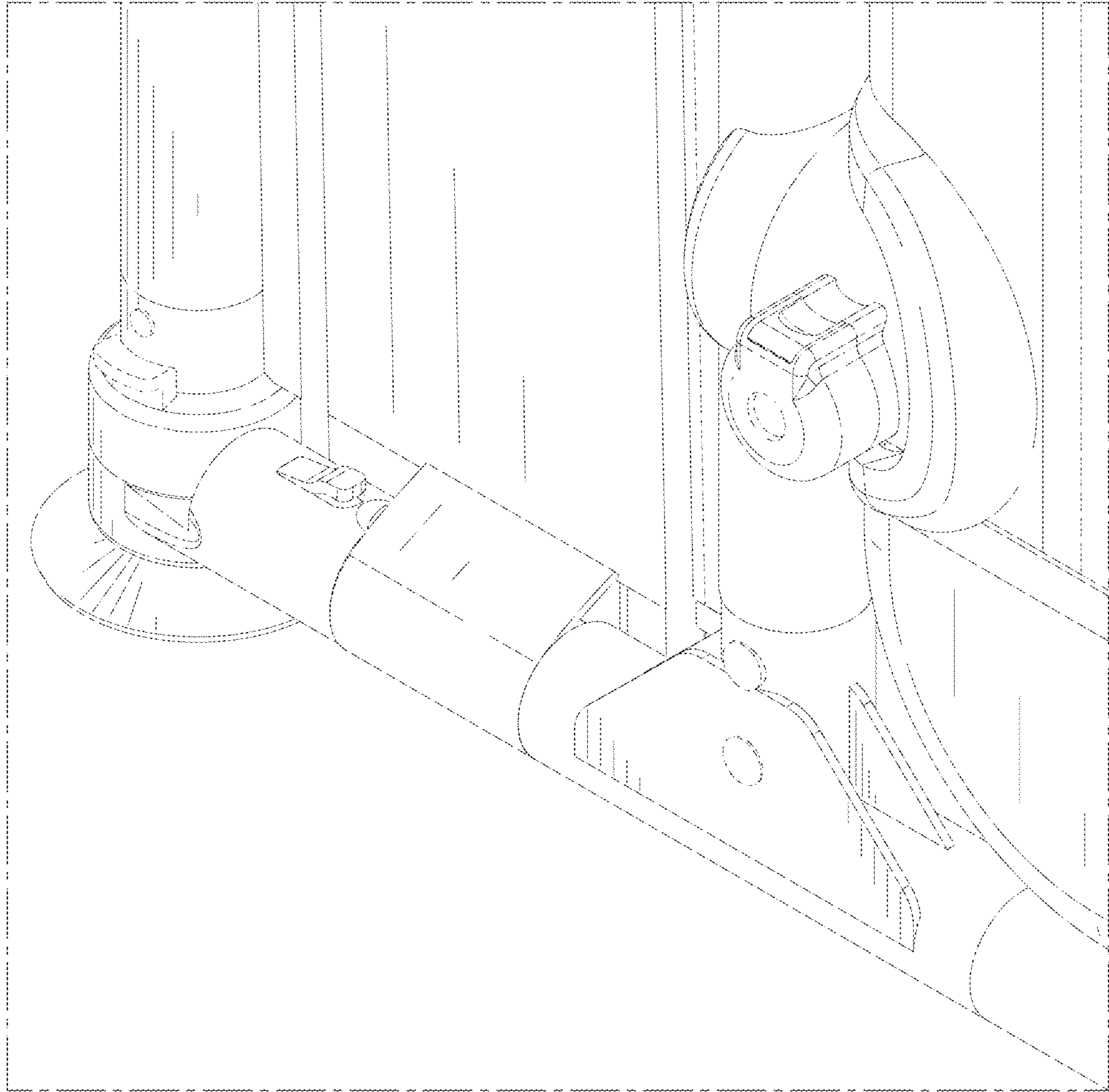


FIG. 10

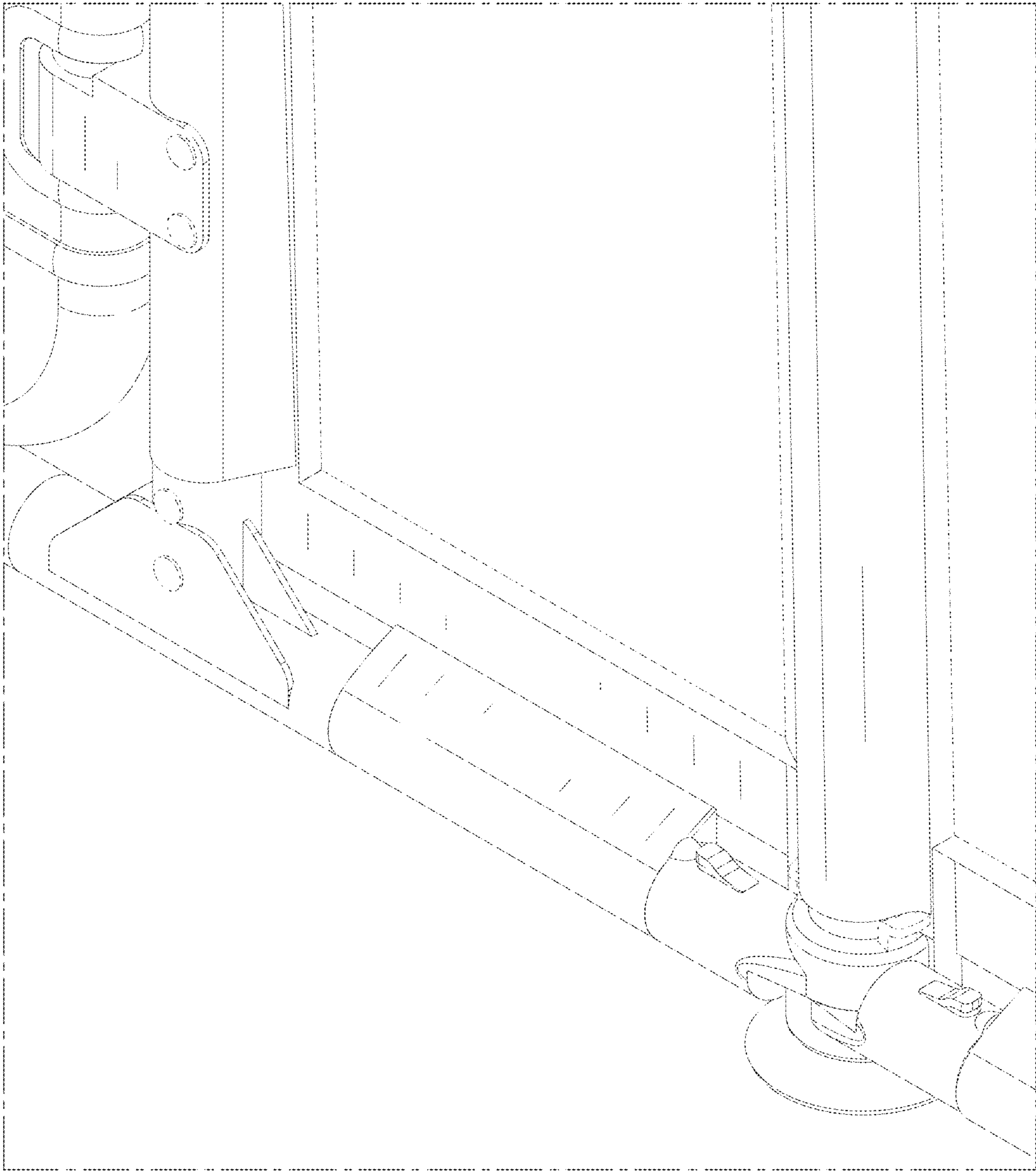


FIG. 11

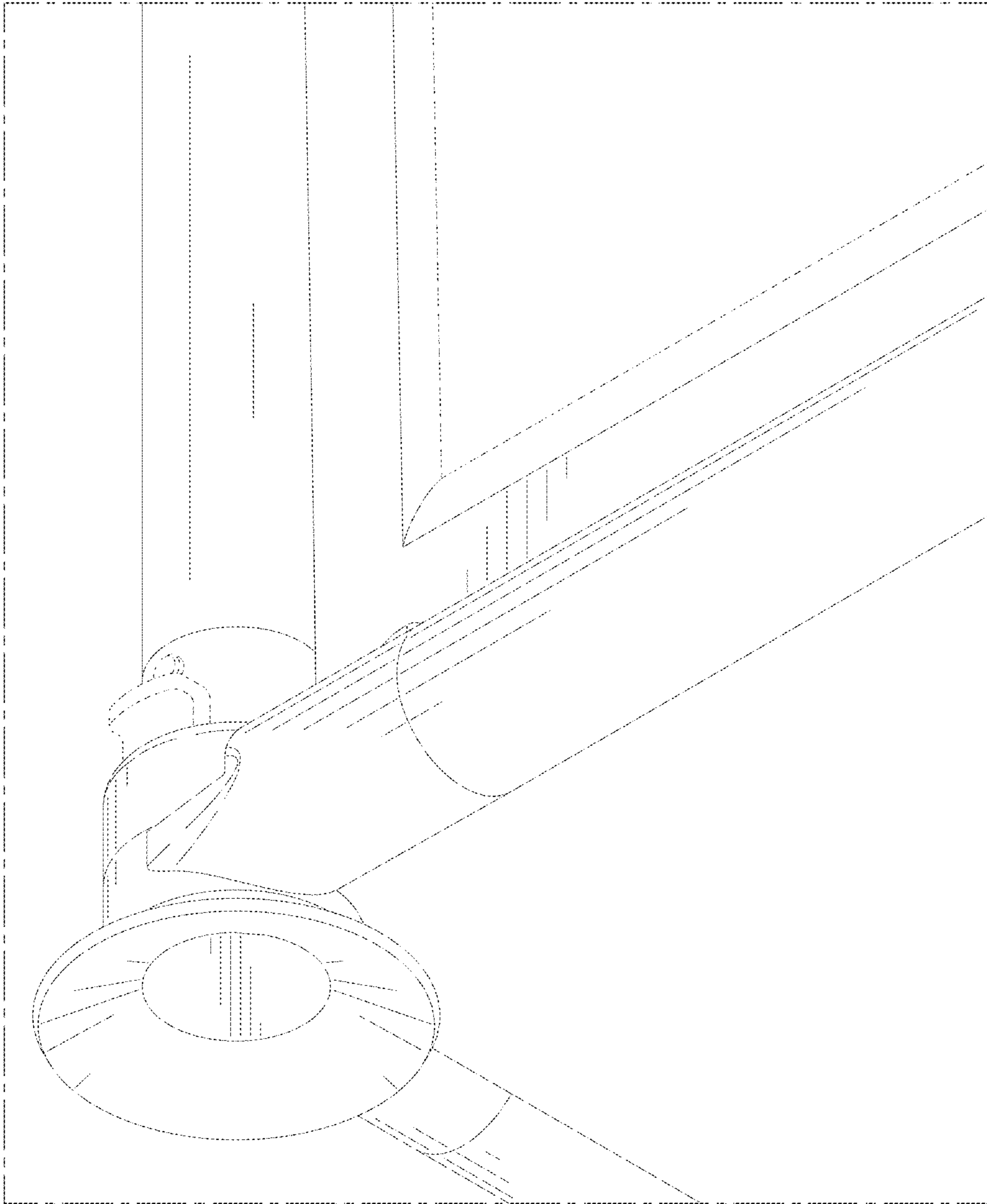


FIG. 12