



US00D977844S

(12) **United States Design Patent** (10) **Patent No.:** **US D977,844 S**
Yang (45) **Date of Patent:** **** Feb. 14, 2023**

(54) **BATH MIRROR**

(71) Applicant: **ShenZhen Harp Lighting Technology Co., Ltd.**, Guangdong (CN)

(72) Inventor: **Wanling Yang**, Guangdong (CN)

(73) Assignee: **ShenZhen Harp Lighting Technology Co., Ltd.**, Guangdong (CN)

(**) Term: **15 Years**

(21) Appl. No.: **29/838,774**

(22) Filed: **May 16, 2022**

(51) **LOC (14) Cl.** **06-07**

(52) **U.S. Cl.**
USPC **D6/300**

(58) **Field of Classification Search**
USPC D6/300-314; D10/15, 21, 24; D14/336,
D14/371, 374, 375; D20/10
CPC A47G 1/00; A47G 1/01; A47G 2200/08
See application file for complete search history.

(56) **References Cited**

U.S. PATENT DOCUMENTS

D392,109 S	3/1998	Frankel	
D559,553 S *	1/2008	Mischel, Jr.	D6/300
D623,425 S *	9/2010	Mischel, Jr.	D14/129
D704,938 S *	5/2014	Mischel, Jr.	D6/300
D915,084 S *	4/2021	Choi	D6/308
D916,470 S *	4/2021	Liu	D6/300
D939,225 S	12/2021	Guo	

OTHER PUBLICATIONS

WTTY "Wall Led Mirror for Bathroom, 72x36 Inch, with Backlit and Front Lighted, Anti-Fog, Dimmable, 3 Colors Adjusted, Memory Function, Rectangle Wall-Mounted Vanity Mirrors Large(Horizontal/

Vertical)" product listing, Amazon.com. Listed as first available Nov. 19, 2021. Retrieved on Aug. 13, 2022 from <https://a.co/d/b7UtVn3> (Year: 2021).*

* cited by examiner

Primary Examiner — Deanna L Pratt

(74) *Attorney, Agent, or Firm* — ScienBiziP, P.C.

(57) **CLAIM**

The ornamental design for a bath mirror, as shown and described.

DESCRIPTION

FIG. 1 is a front, right and top perspective view of a bath mirror, showing my design.

FIG. 2 is a rear, left and bottom perspective view thereof.

FIG. 3 is a front elevation view thereof.

FIG. 4 is a rear elevation view thereof.

FIG. 5 is a left side elevation view thereof.

FIG. 6 is a right side elevation view thereof.

FIG. 7 is a top plan view thereof.

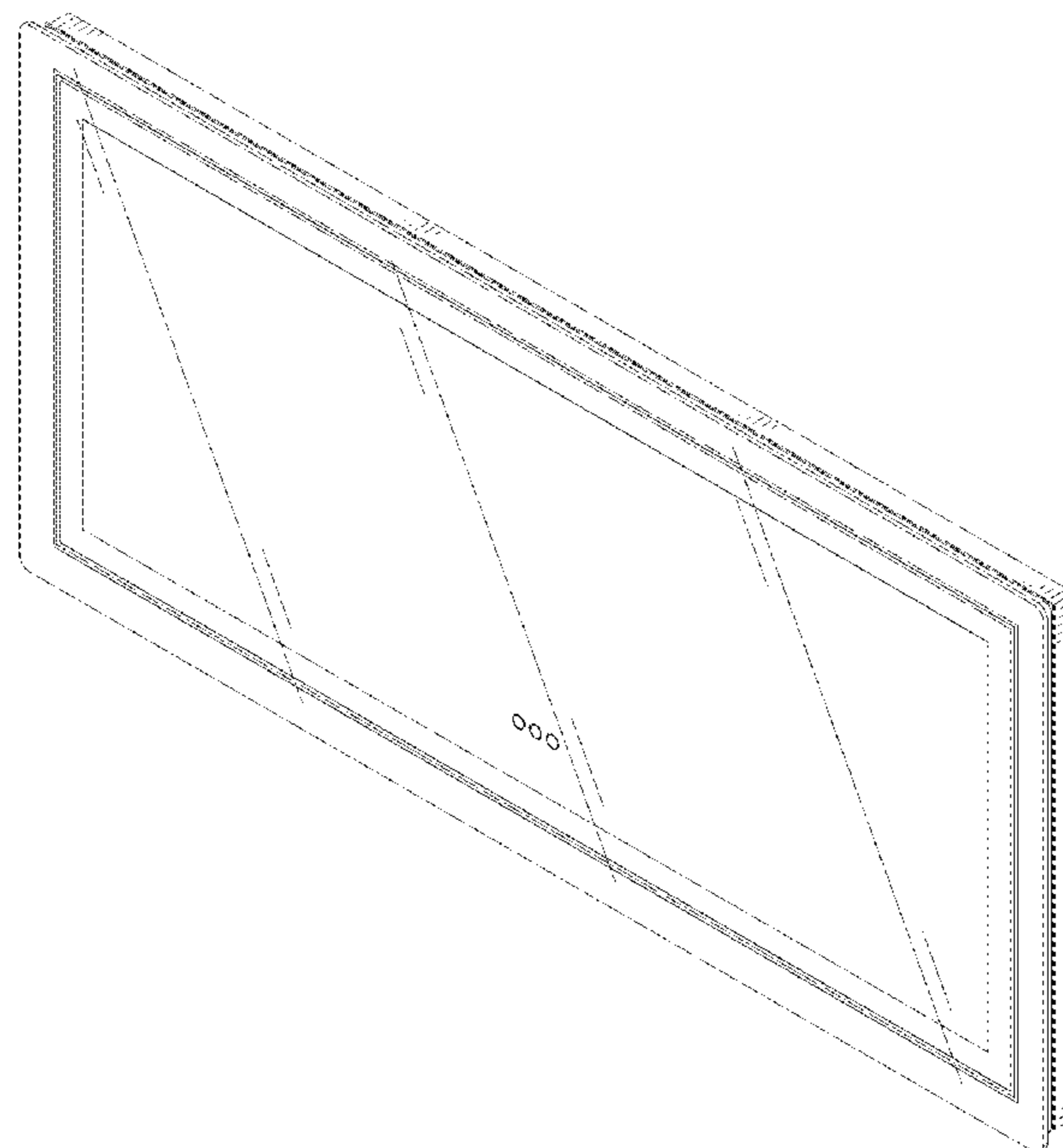
FIG. 8 is a bottom plan view thereof.

FIG. 9 is a partial enlarged view of an area labeled 9 in FIG. 2.

FIG. 10 is a cross-sectional view of the bath mirror of FIG. 1, taken along section line 10-10 as depicted in FIG. 3; and, FIG. 11 is a partial enlarged view of an area labeled 11 in FIG. 10.

The broken lines shown in the drawings are included for the purpose of illustrating portions of the bath mirror that form no part of the claimed design. In addition, the dot-dash lines in FIGS. 2 and 9-11 illustrate enlarged portions of the claimed design.

1 Claim, 11 Drawing Sheets



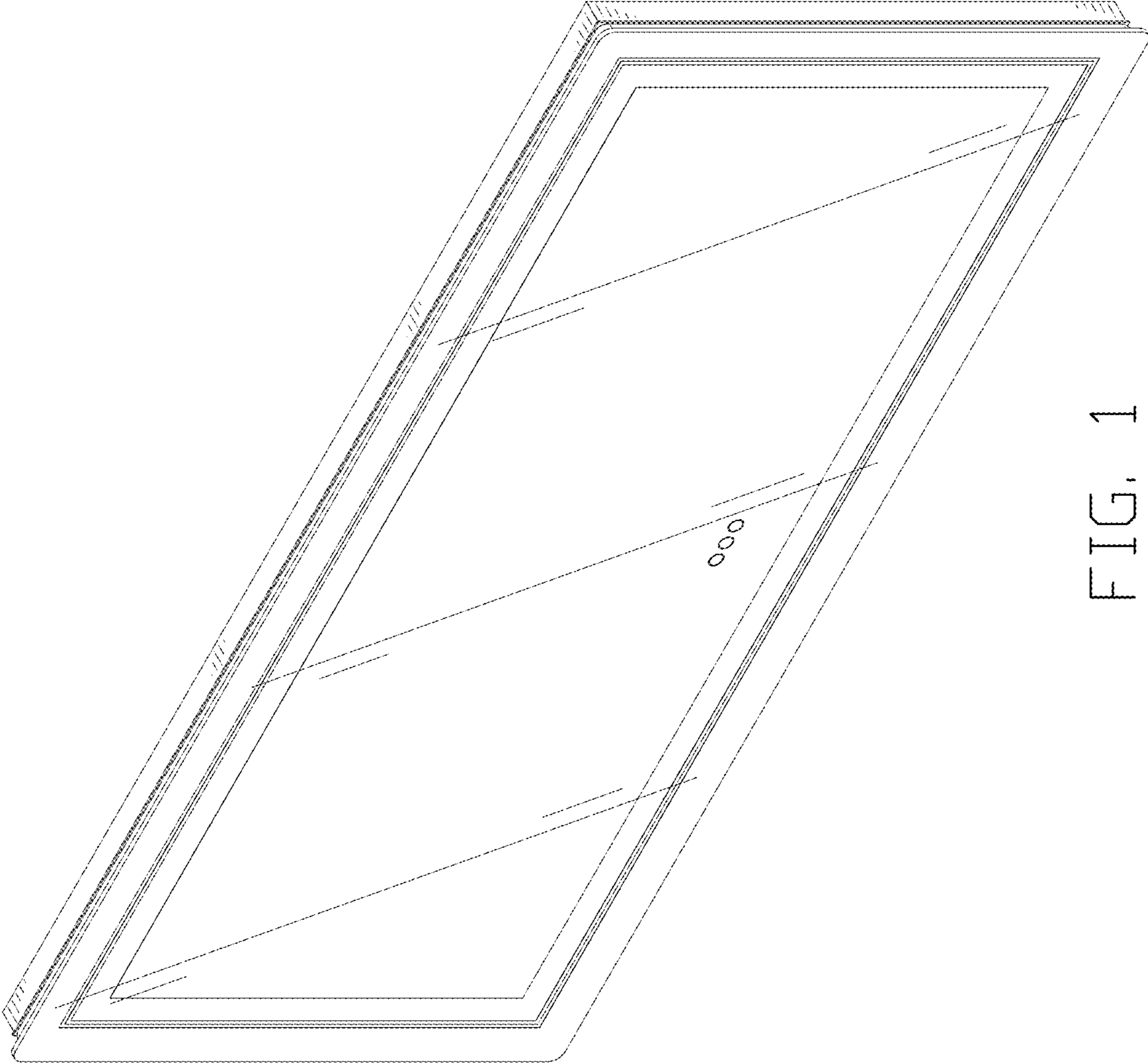


FIG. 1

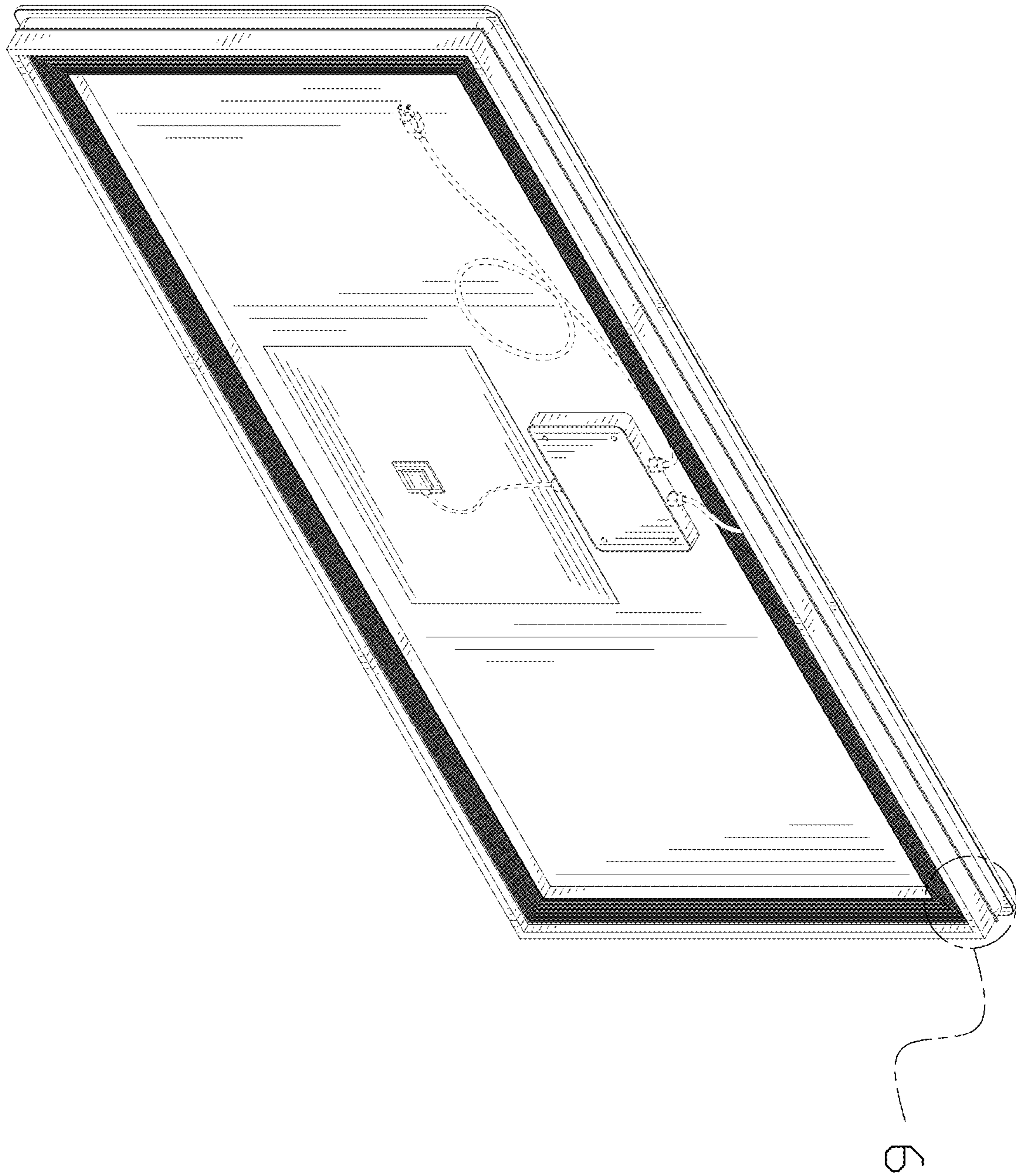


FIG. 2

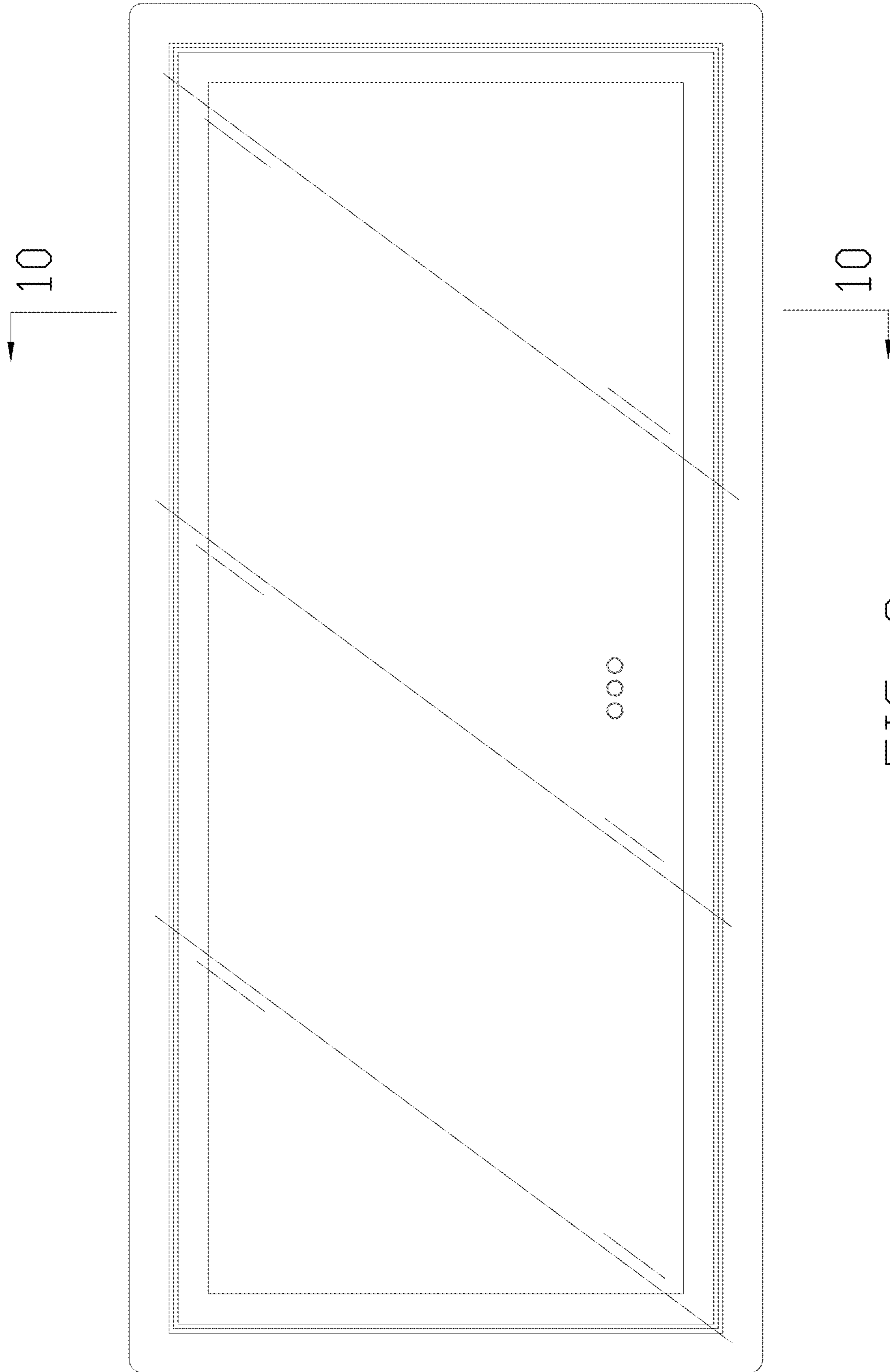


FIG. 3

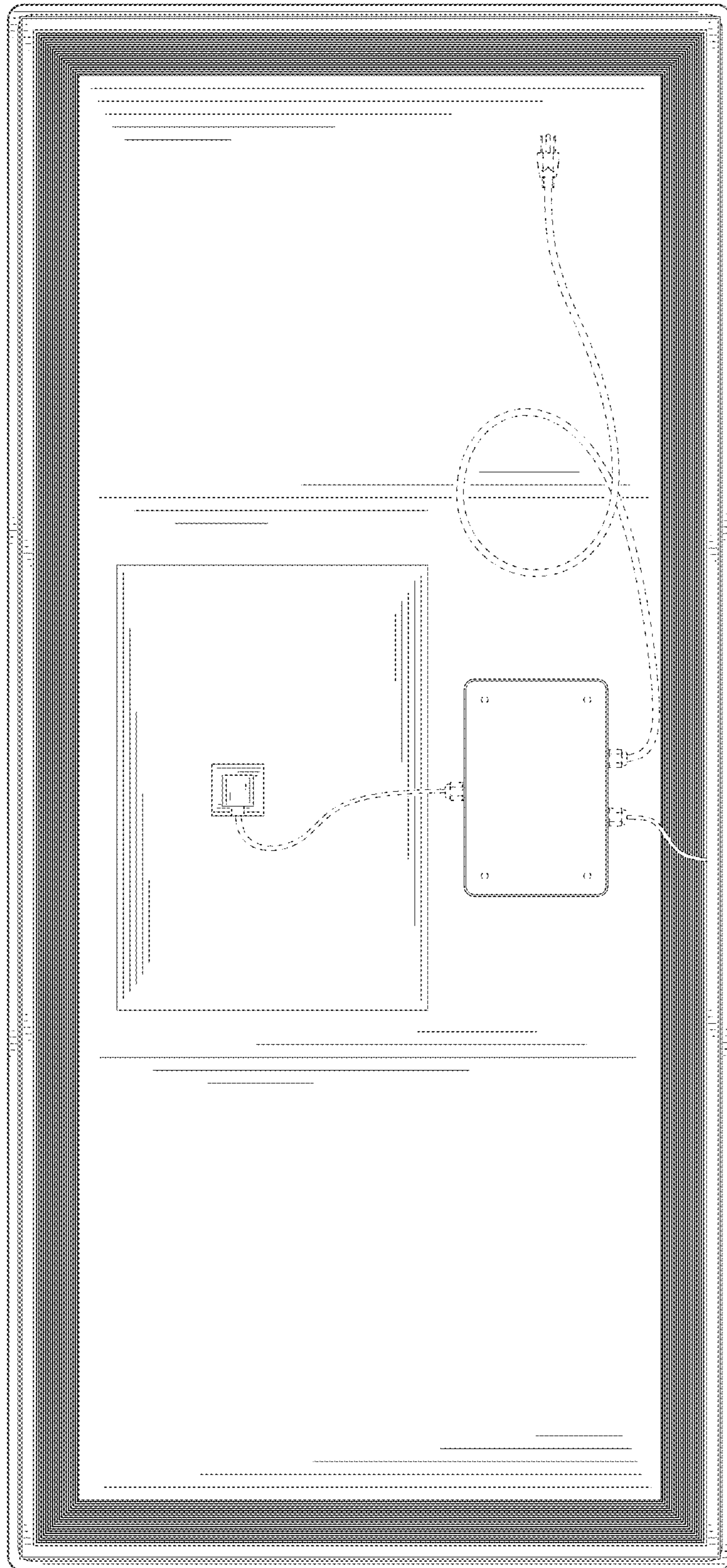


FIG. 4

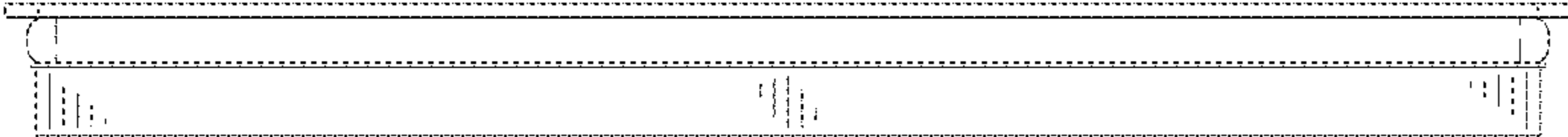


FIG. 5



FIG. 6

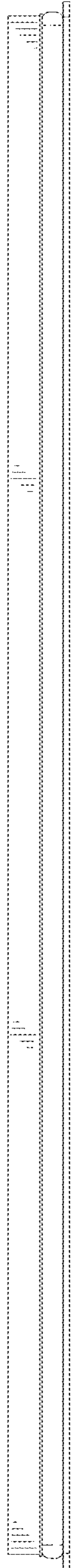


FIG. 7

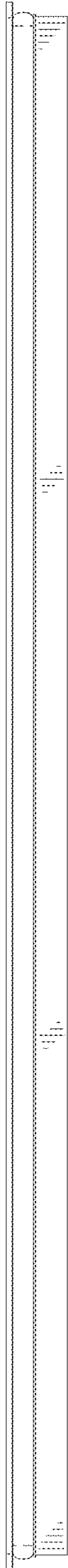


FIG. 8

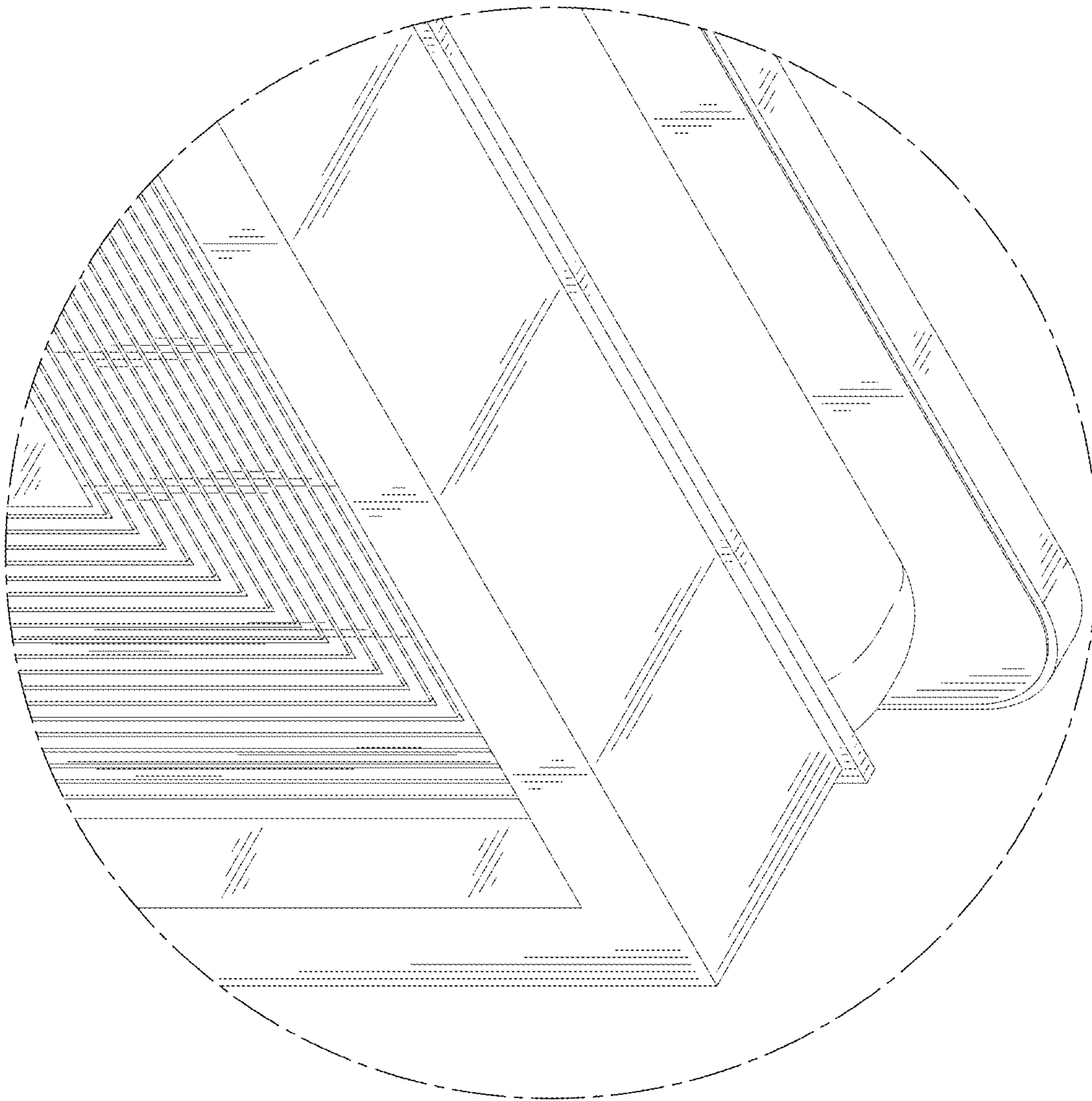


FIG. 9

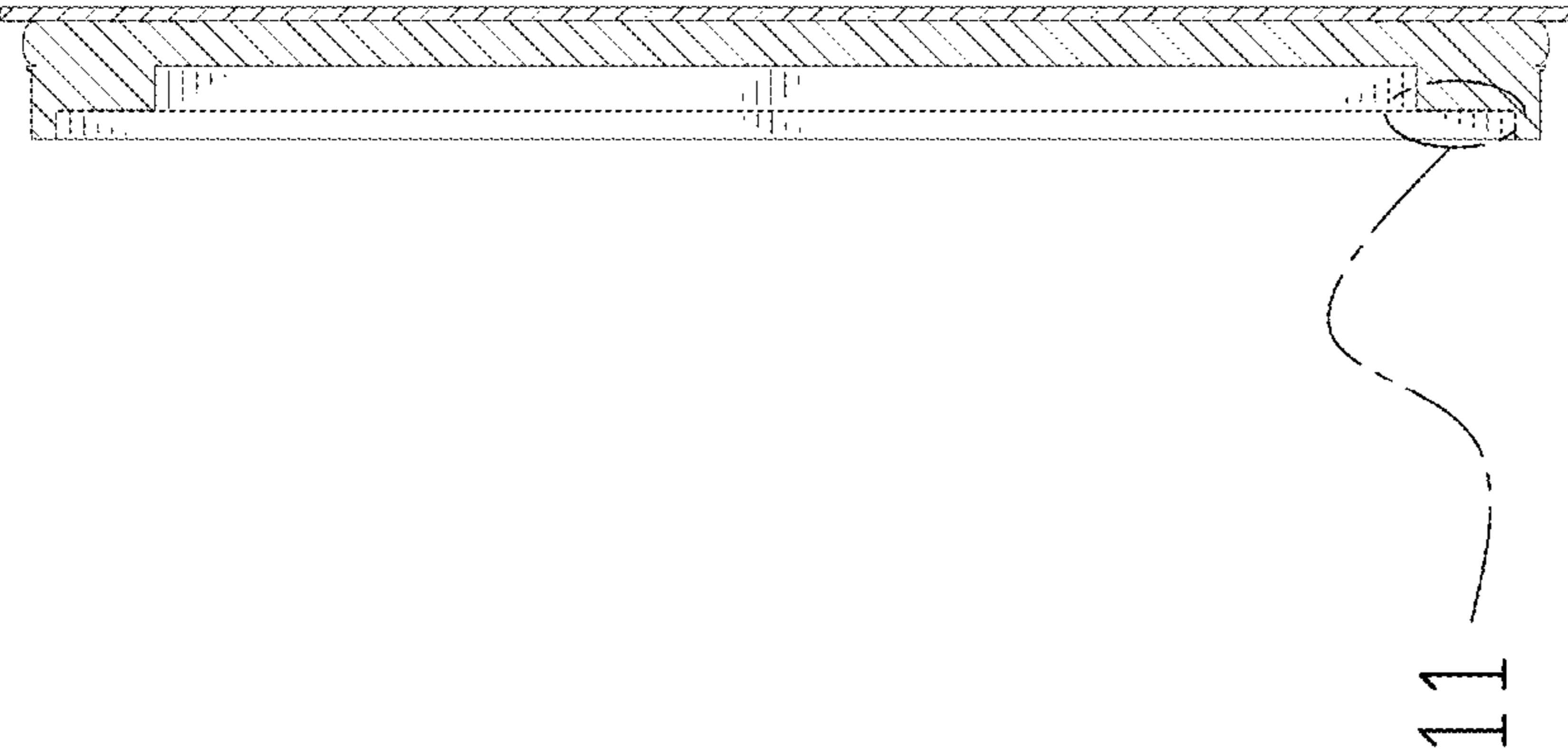


FIG. 10

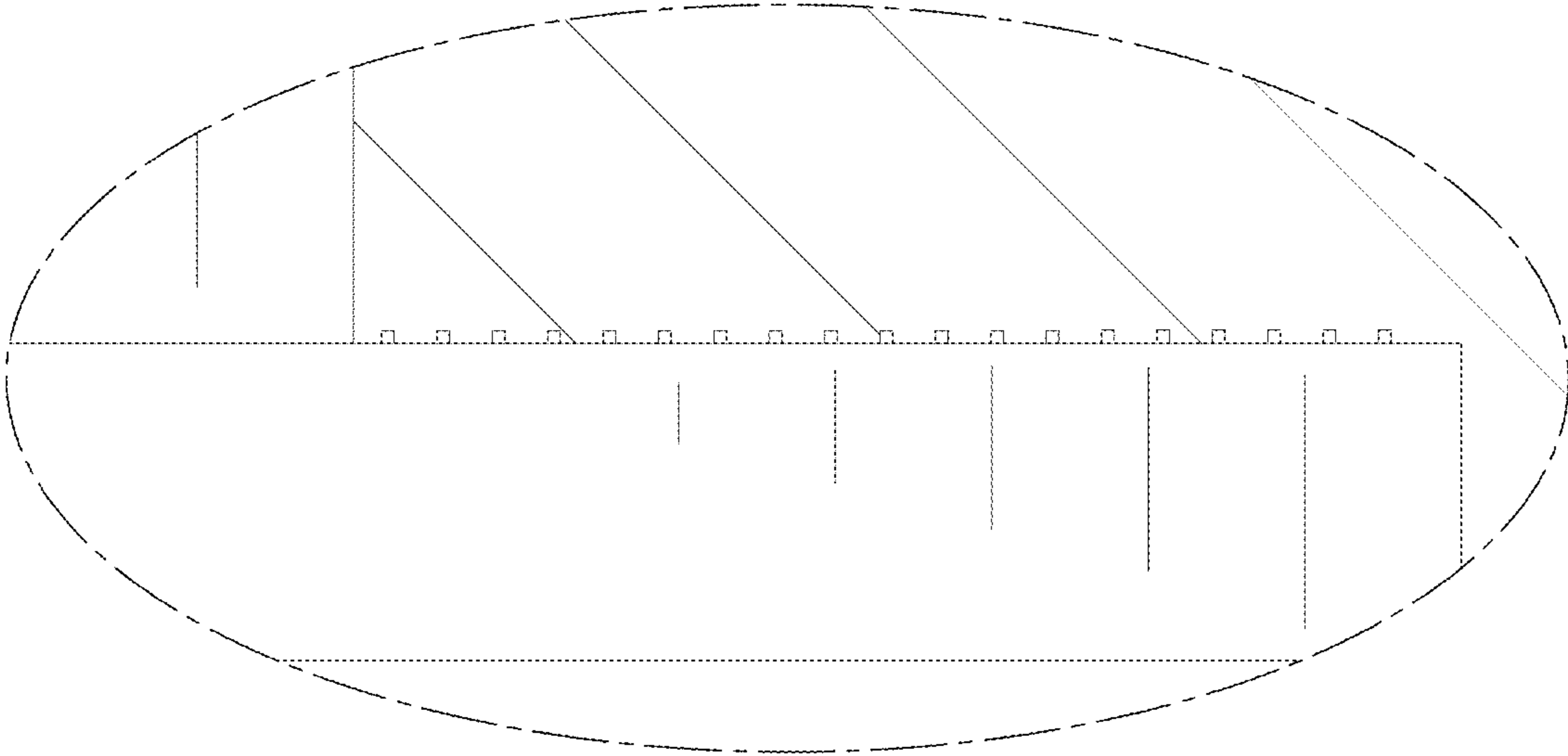


FIG. 11